



US00D521644S

(12) **United States Design Patent**
Nordt et al.

(10) **Patent No.:** **US D521,644 S**
(45) **Date of Patent:** **** May 23, 2006**

(54) **SUPPORT BRACE**

(75) Inventors: **William E. Nordt**, Charles City, VA (US); **Ian D. Kovacevich**, Charlotte, NC (US); **Kevin J. Dahlquist**, Charlotte, NC (US); **Tom J. Philpott**, Charlotte, NC (US)

(73) Assignee: **Nordt Development Co., Inc.**, Charles City, VA (US)

(**) Term: **14 Years**

(21) Appl. No.: **29/209,987**

(22) Filed: **Jul. 22, 2004**

(51) **LOC (8) Cl.** **24-04**

(52) **U.S. Cl.** **D24/190**

(58) **Field of Classification Search** D24/190, D24/206; 602/1, 5, 20, 21, 23, 26, 60-64; 128/DIG. 20

See application file for complete search history.

4,466,428 A 8/1984 McCoy
 4,644,939 A 2/1987 Coleman
 4,660,550 A 4/1987 Bodine
 4,677,971 A 7/1987 Lindemann
 4,765,319 A 8/1988 Finnieston
 4,768,502 A 9/1988 Lee
 4,805,606 A 2/1989 McDavid
 4,856,501 A 8/1989 Castillo
 4,862,878 A 9/1989 Davison et al.
 4,873,968 A 10/1989 Finnieston et al.
 4,881,533 A 11/1989 Teurlings
 4,928,678 A 5/1990 Grim
 4,940,044 A 7/1990 Castillo
 4,941,460 A 7/1990 Working
 4,971,041 A 11/1990 Millikan et al.
 5,016,621 A 5/1991 Bender
 5,018,513 A 5/1991 Charles
 5,036,837 A 8/1991 Mitchell et al.
 5,042,177 A 8/1991 Schoch
 5,086,761 A 2/1992 Ingram
 5,091,992 A 3/1992 Pusic
 5,134,992 A 8/1992 Campbell
 5,188,587 A 2/1993 McGuire et al.
 5,205,812 A 4/1993 Wasserman
 5,213,094 A 5/1993 Bonutti

(56) **References Cited**

(Continued)

U.S. PATENT DOCUMENTS

101,743 A 8/1870 King
 667,768 A 2/1901 De Puy
 1,227,700 A 5/1917 Tucker
 1,233,112 A 7/1917 Nylander
 1,298,529 A 3/1919 Maddox
 2,312,523 A 3/1943 Corbett
 2,357,323 A 4/1944 Goldberg
 2,692,694 A 10/1954 Kelly
 3,419,003 A 12/1968 Krauss
 3,551,912 A 1/1971 Viglione
 3,788,307 A 1/1974 Kistner
 4,048,991 A 9/1977 Marx
 4,168,063 A 9/1979 Rowland
 4,240,414 A 12/1980 Thiesler
 4,269,181 A 5/1981 Delannoy
 4,287,885 A 9/1981 Applegate
 4,372,298 A 2/1983 Lerman
 4,378,009 A 3/1983 Rowley
 4,382,439 A 5/1983 Shen
 4,446,858 A 5/1984 Verter

Primary Examiner—Ian Simmons

Assistant Examiner—Daniel Yu

(74) *Attorney, Agent, or Firm*—Tillman Ivsan, PLLC; Chad D. Tillman; James D. Wright

(57) **CLAIM**

The ornamental design for a support brace, as shown.

DESCRIPTION

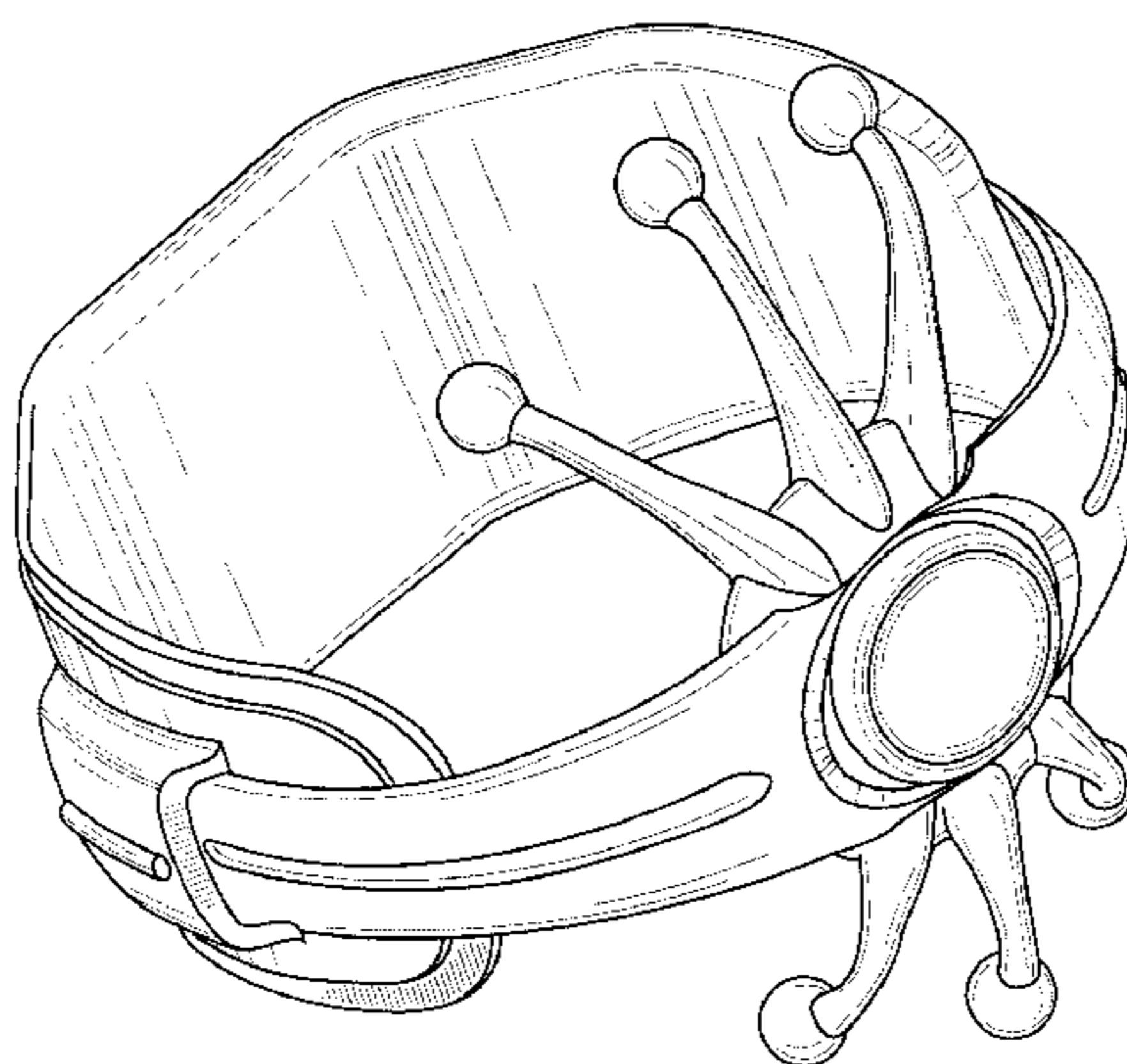
FIG. 1 represents a perspective view of the front of support brace of the present invention;

FIG. 2 represents a front elevational view of the support brace of the present invention;

FIG. 3 represents a top plan view of the support brace of the present invention; and,

FIG. 4 represents a side elevational view of the support brace of the present invention.

1 Claim, 2 Drawing Sheets



US D521,644 S

U.S. PATENT DOCUMENTS					
			6,024,712 A	2/2000	Iglesias et al.
			6,048,253 A	4/2000	Larsen
5,254,078 A	10/1993	Carter et al.	6,071,175 A	6/2000	Working, III
D340,990 S	11/1993	Kawamura	6,102,880 A	8/2000	Nelson et al.
5,267,708 A	12/1993	Monson et al.	6,106,493 A	8/2000	Rozell
5,279,545 A	1/1994	Reese, Sr.	6,120,471 A	9/2000	Varn
5,307,521 A	5/1994	Davis	6,132,393 A	10/2000	Lundberg
5,334,135 A	8/1994	Grim et al.	6,142,967 A	11/2000	Couch
5,358,471 A	10/1994	Klotz	6,146,346 A	11/2000	Godwin
5,368,549 A	11/1994	McVicker	6,152,891 A	11/2000	Carlson
5,372,575 A	12/1994	Sebastian	6,179,799 B1	1/2001	Doran
5,395,304 A	3/1995	Tarr et al.	6,223,350 B1	5/2001	McFarlane
5,399,154 A	3/1995	Kipnis et al.	6,253,376 B1	7/2001	Ritter
5,404,591 A	4/1995	Brinnard et al.	6,308,332 B1	10/2001	Tollini
5,409,451 A	4/1995	Daneman	6,311,337 B1	11/2001	Tollini
D358,215 S	* 5/1995	Reed D24/190	6,322,528 B1	11/2001	Kania
5,415,623 A	5/1995	Cherubini	6,393,610 B1	5/2002	Parks
5,417,646 A	5/1995	Gauvry	6,398,746 B1	6/2002	Bramlage et al.
5,425,702 A	6/1995	Carn et al.	6,398,748 B1	6/2002	Wilson
5,437,620 A	8/1995	Shelly	6,401,245 B1	6/2002	Slutterback
5,441,015 A	8/1995	Farley	6,406,450 B1	6/2002	Kowalczyk et al.
5,450,625 A	9/1995	Hu	6,425,876 B1	7/2002	Frangi et al.
5,455,969 A	10/1995	Pratson et al.	6,436,066 B1	8/2002	Lockhart
5,458,565 A	10/1995	Tillinghast, III et al.	6,443,918 B1	9/2002	Wang
5,468,220 A	11/1995	Sucher	6,502,577 B1	1/2003	Bonutti
5,472,410 A	12/1995	Hamersly	D473,656 S	* 4/2003	Miros et al. D24/206
5,472,413 A	12/1995	Detty	6,540,710 B1	4/2003	Cruz
5,507,720 A	4/1996	Lampropoulos	6,553,572 B1	4/2003	Fiorini et al.
5,512,039 A	4/1996	White	D475,789 S	6/2003	McCormick et al.
D373,655 S	9/1996	Kalvestran et al.	D477,409 S	7/2003	Mills et al.
5,599,288 A	2/1997	Shirley et al.	6,592,538 B1	7/2003	Hotchkiss et al.
5,621,985 A	4/1997	Frost	6,599,263 B1	7/2003	Bonutti et al.
5,628,725 A	5/1997	Ostergard	6,629,598 B1	10/2003	Narula et al.
5,653,680 A	8/1997	Cruz	6,671,884 B1	1/2004	Griesbach, III et al.
5,658,244 A	8/1997	Townsend	6,716,185 B1	4/2004	Rieger
5,695,452 A	12/1997	Grim et al.	6,719,653 B1	4/2004	Nesbitt
5,713,837 A	2/1998	Grim et al.	6,790,192 B1	9/2004	Robinson
5,725,490 A	3/1998	Conran	6,835,182 B1	12/2004	Darcey
5,782,785 A	7/1998	Herzberg	2002/0052568 A1	5/2002	Houser et al.
5,807,298 A	9/1998	Palumbo	2002/0077574 A1	6/2002	Glidersleeve et al.
5,810,753 A	9/1998	Eberbach	2002/0094919 A1	7/2002	Rennex et al.
5,823,981 A	10/1998	Grim et al.	2002/0148461 A1	10/2002	Heinz et al.
5,848,979 A	12/1998	Bonutti et al.	2003/0120183 A1	6/2003	Simmons
5,857,987 A	1/1999	Habermeyer	2003/0171703 A1	9/2003	Grim et al.
5,857,988 A	1/1999	Shirley	2004/0019307 A1	1/2004	Grim et al.
5,873,130 A	2/1999	Lafferty	2004/0049291 A1	3/2004	Deharde et al.
5,891,061 A	4/1999	Kaiser	2004/0210177 A1	10/2004	Grim et al.
5,921,243 A	7/1999	Shakoor			
5,928,172 A	7/1999	Gaylord			

* cited by examiner

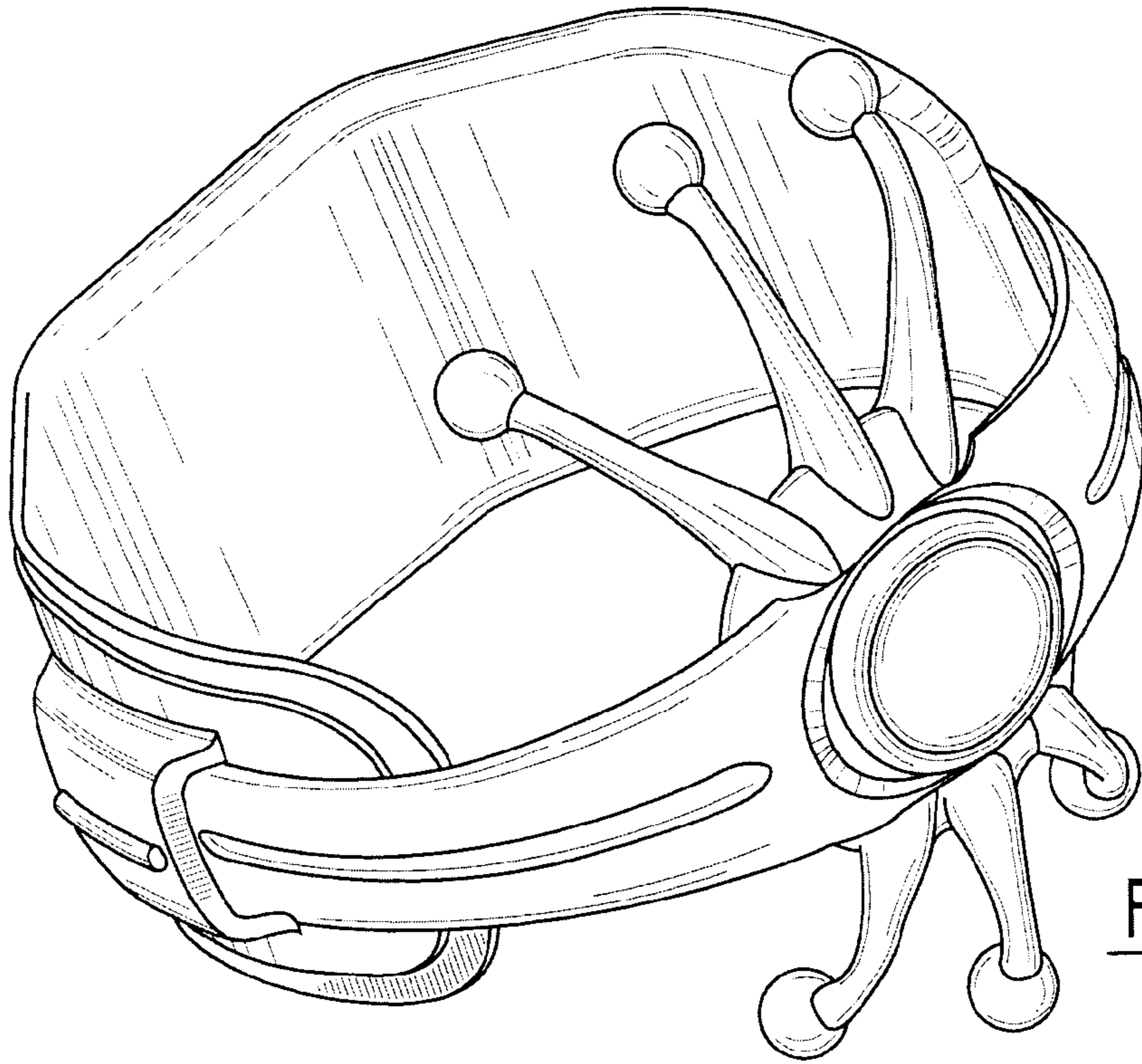


FIG. 1

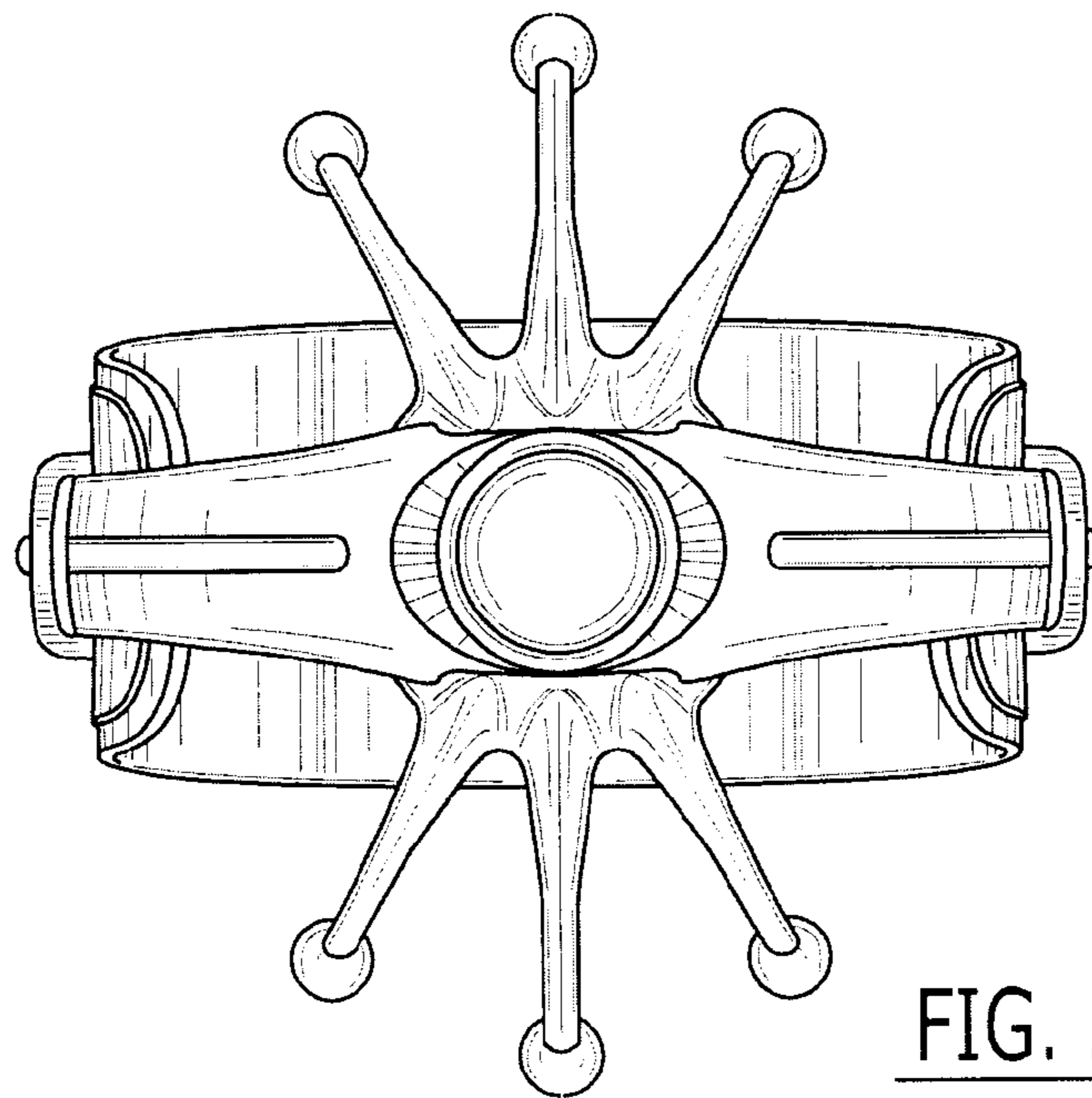


FIG. 2

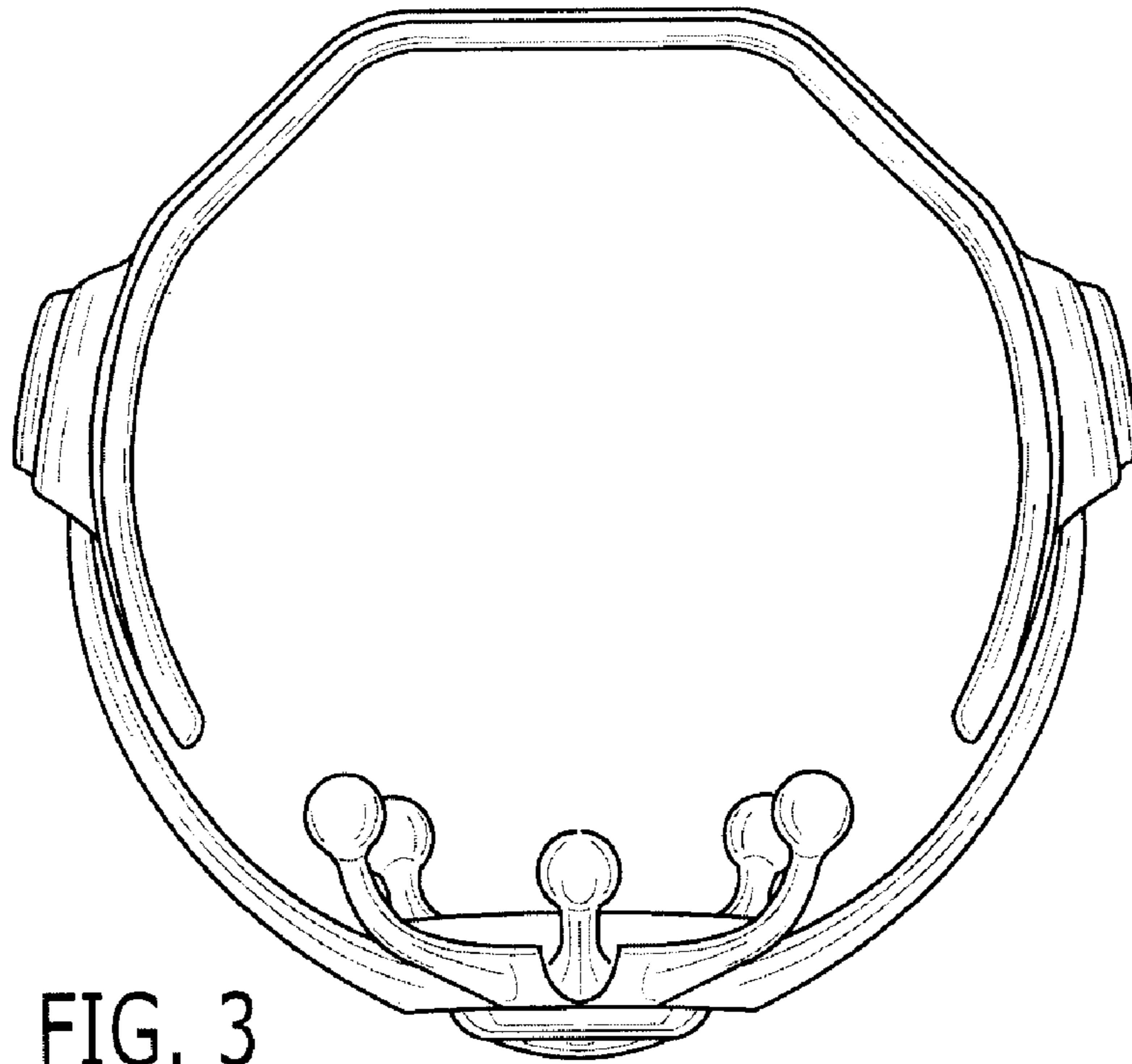


FIG. 3

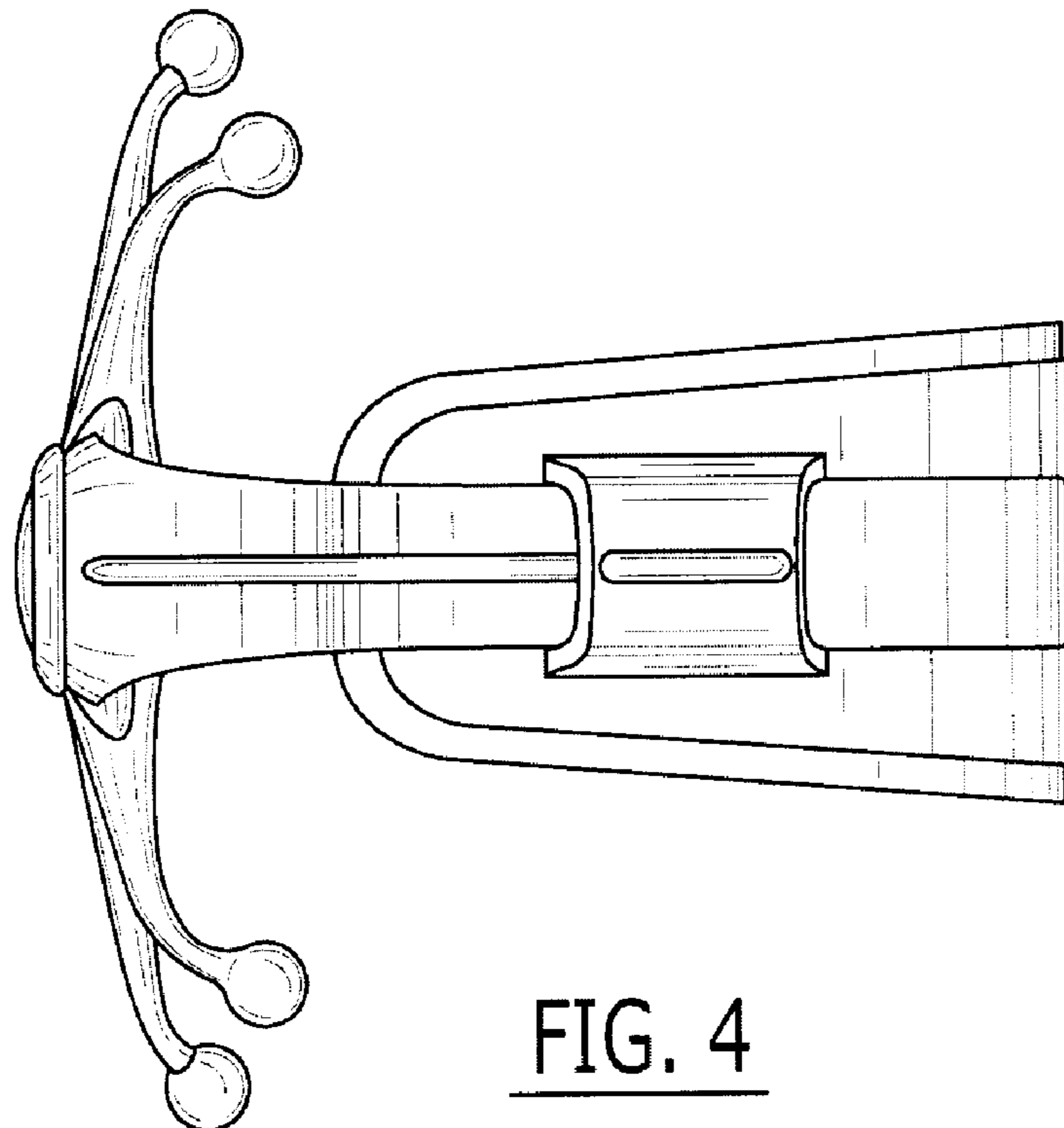


FIG. 4