

US00D521643S

(12) **United States Design Patent**
Moody et al.

(10) **Patent No.:** **US D521,643 S**

(45) **Date of Patent:** **** May 23, 2006**

(54) **ANALYZER FOR BLOOD GAS AND ELECTROLYTES**

D387,168 S * 12/1997 Edelman et al. D24/186
D411,300 S * 6/1999 Kellstedt et al. D24/186
D475,137 S * 5/2003 Manke et al. D24/165
6,689,318 B1 * 2/2004 Spork et al. 422/63

(75) Inventors: **Raymond A. Moody**, Holliston, MA (US); **James E. Rasmussen**, Plainville, MA (US); **Richard J. Schoon**, Southborough, MA (US); **David L. Adriaansen**, Boston, MA (US); **James Ormond**, Roxbury, MA (US)

* cited by examiner

Primary Examiner—Ian Simmons
Assistant Examiner—Daniel Yu

(73) Assignee: **Bayer Healthcare LLC**, Tarrytown, NY (US)

(57) **CLAIM**

(**) Term: **14 Years**

The ornamental design for an analyzer for blood gas and electrolytes, as shown and described.

(21) Appl. No.: **29/201,619**

DESCRIPTION

(22) Filed: **Mar. 18, 2004**

(51) **LOC (8) Cl.** **24-01**

(52) **U.S. Cl.** **D24/169; D24/186**

(58) **Field of Classification Search** D24/169, D24/167, 165, 185, 186, 231, 232; D10/81; 422/68.1, 73, 79, 80, 82.04, 83, 89
See application file for complete search history.

FIG. 1 is a front, right side perspective view of an analyzer for blood gas and electrolytes, showing our new design;

FIG. 2 is a front elevational view thereof;

FIG. 3 is a right side elevational view thereof;

FIG. 4 is a left side elevational view thereof; and,

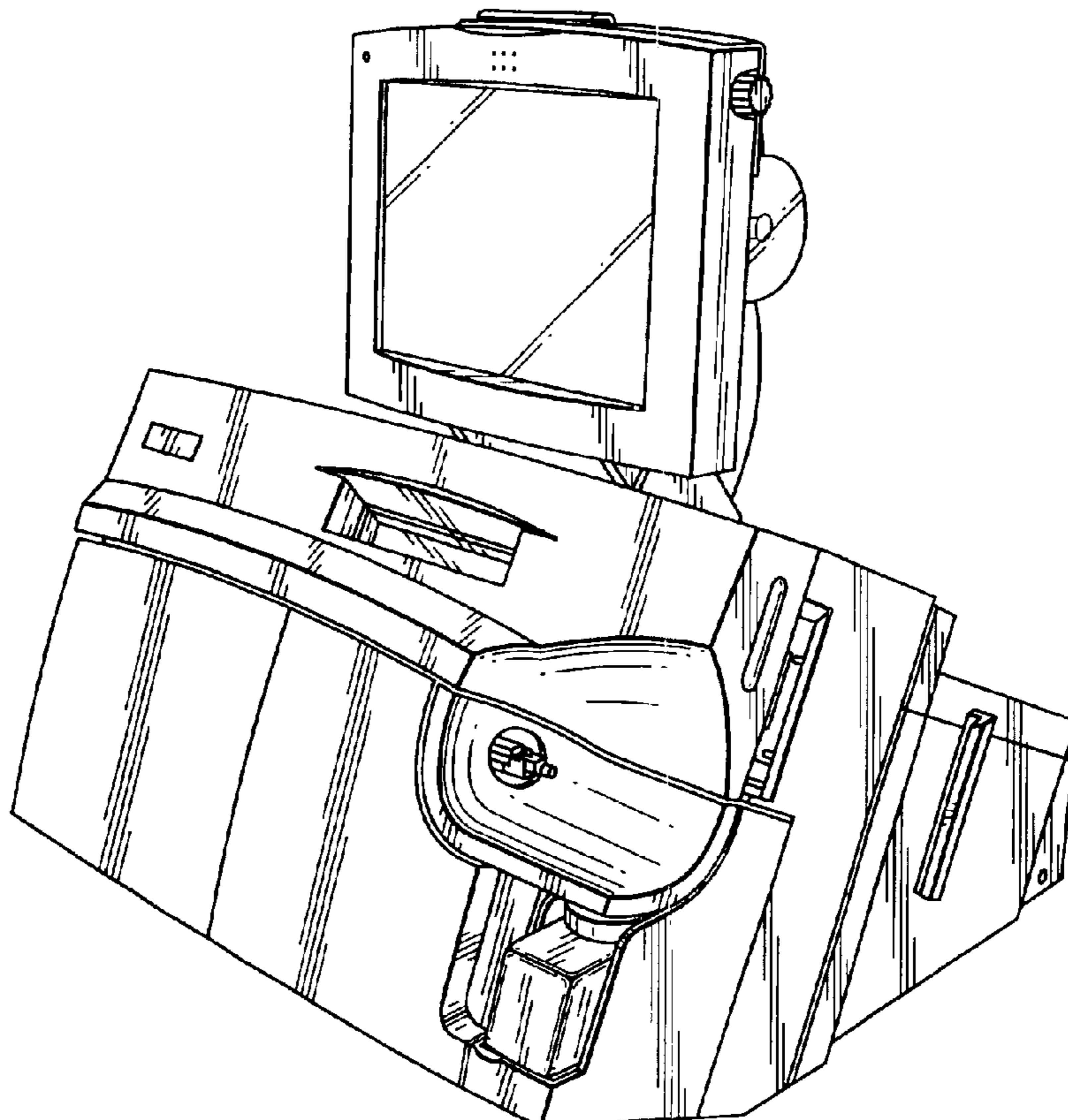
FIG. 5 is a plan view thereof.

(56) **References Cited**

U.S. PATENT DOCUMENTS

D305,932 S * 2/1990 Nagai et al. D24/169

1 Claim, 5 Drawing Sheets



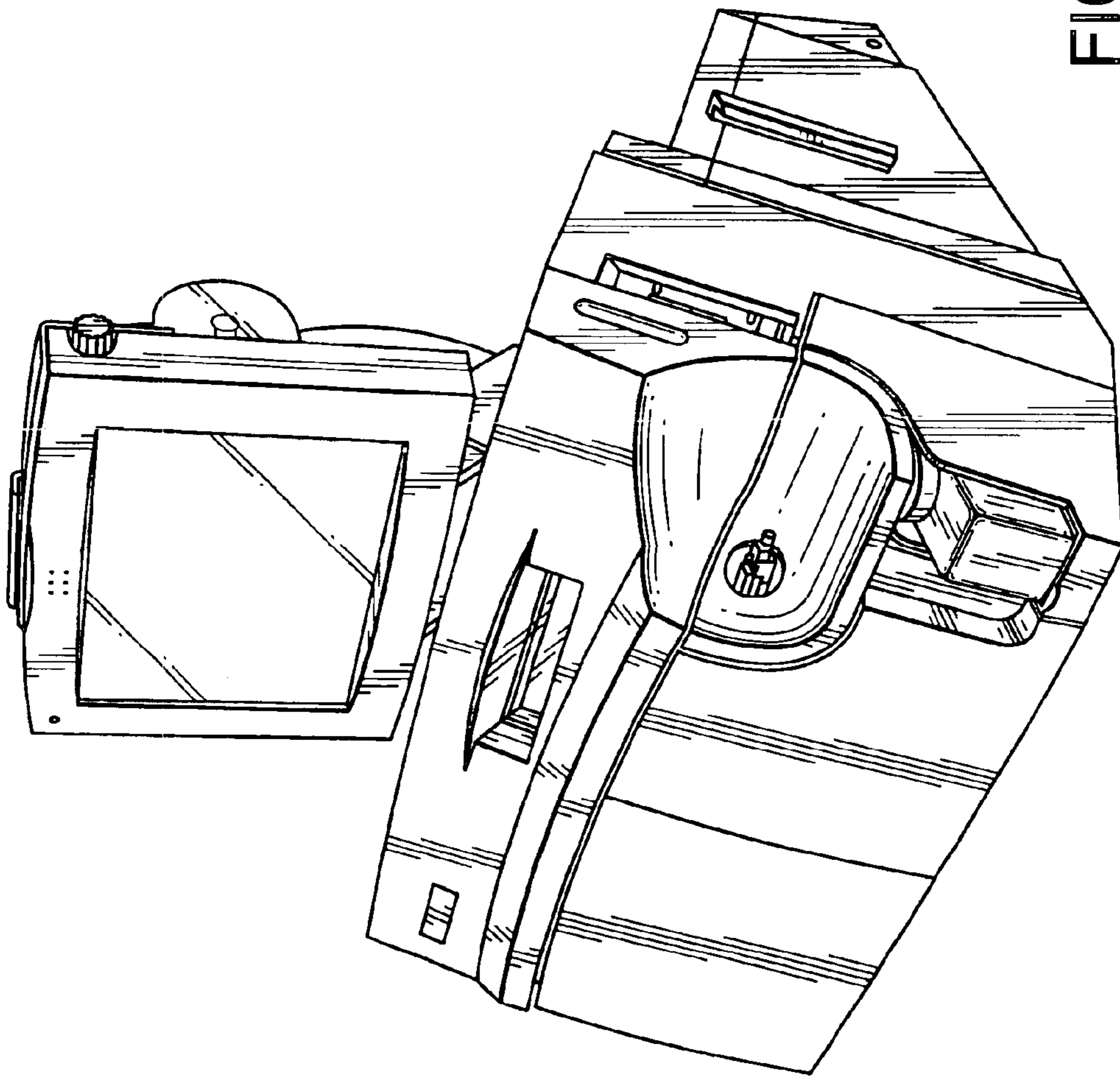


FIG. 1

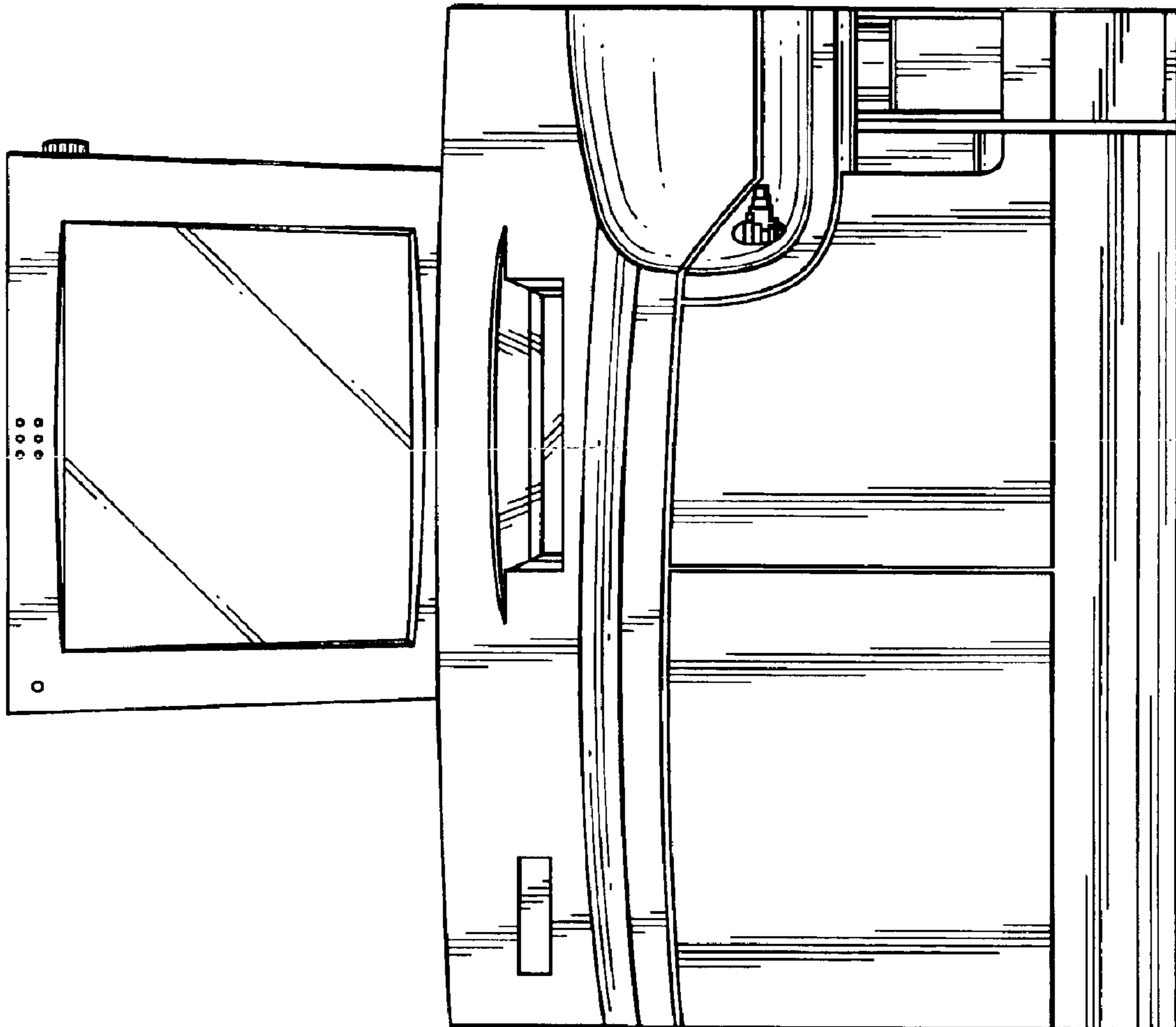


FIG. 2

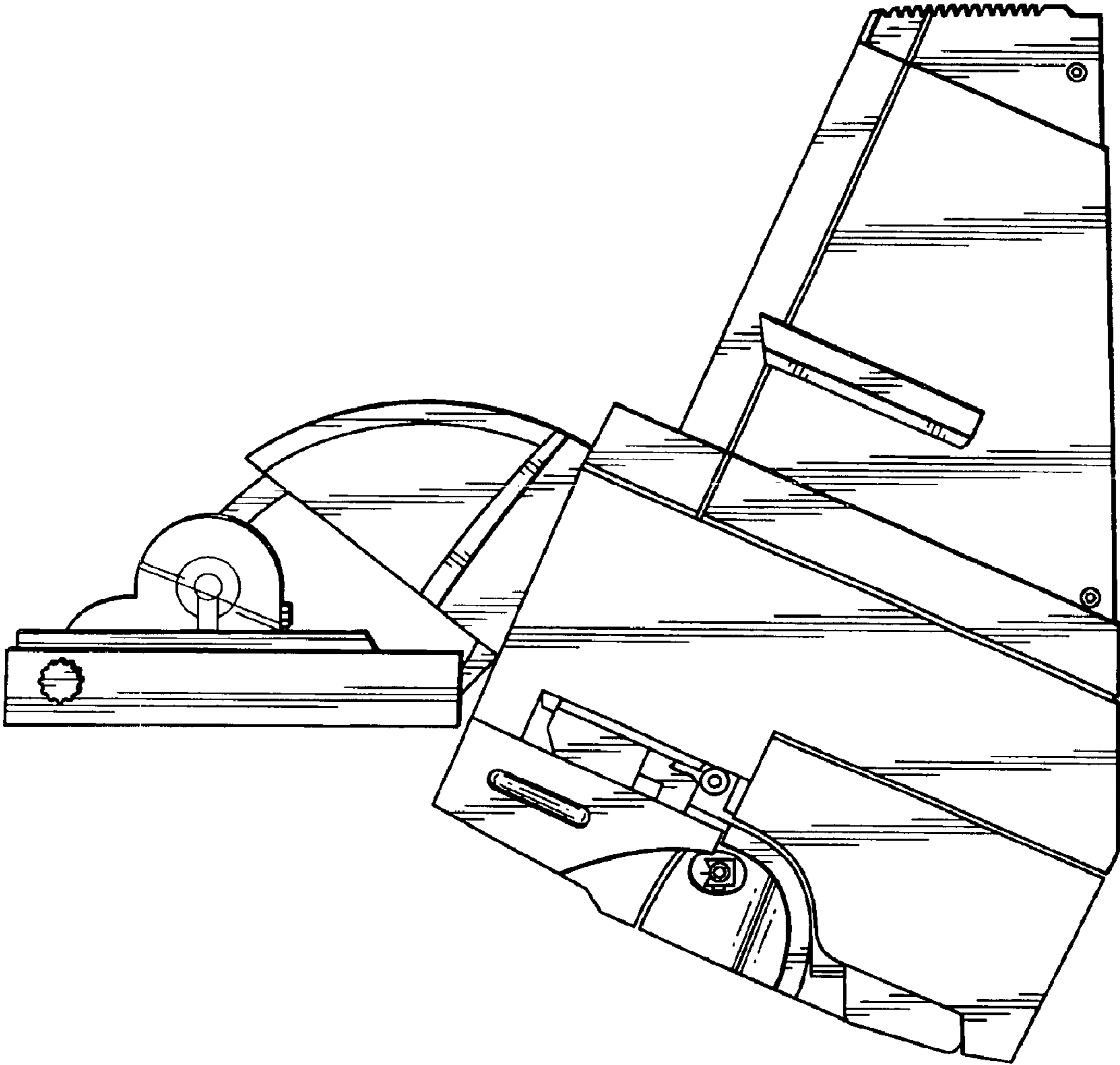


FIG. 3

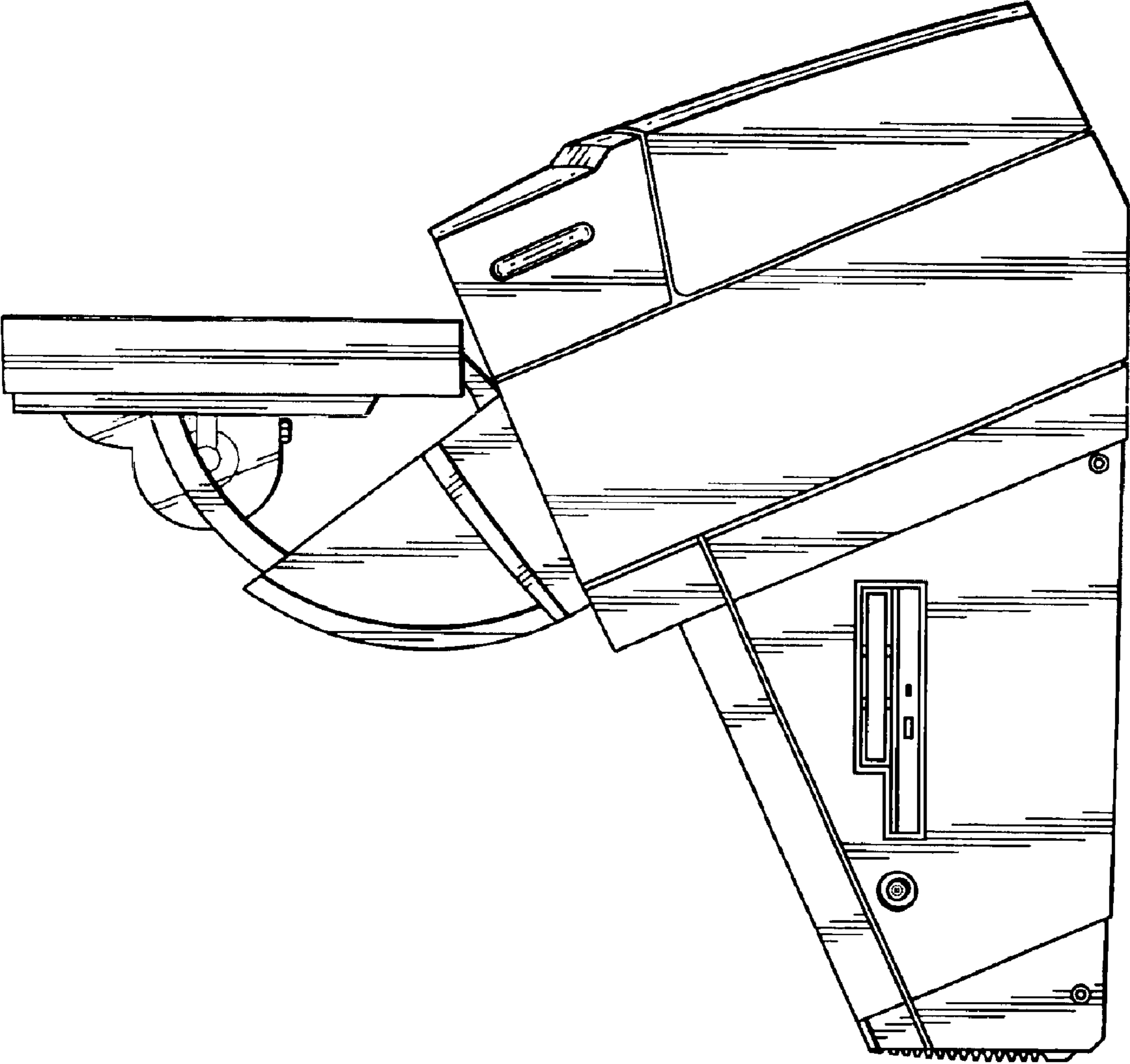


FIG. 4

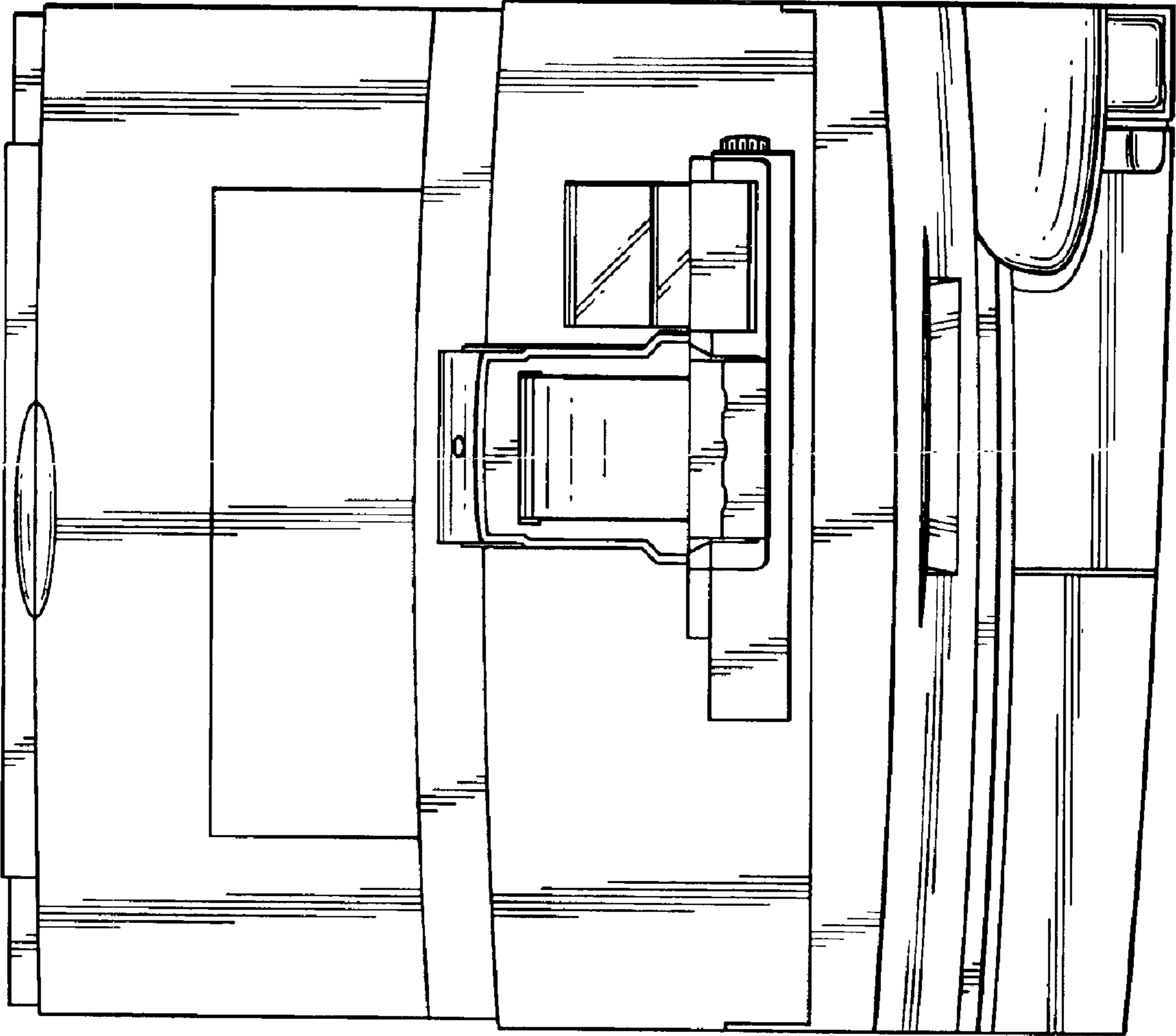


FIG. 5