

US00D521641S

(12) **United States Design Patent**
Reschke et al.

(10) **Patent No.:** **US D521,641 S**
(45) **Date of Patent:** **** May 23, 2006**

(54) **ELECTROSURGICAL PENCIL WITH THREE
BUTTON CONTROL**

(75) Inventors: **Arlan James Reschke**, Boulder, CO
(US); **Steven Paul Buysse**, Longmont,
CO (US); **David Nichols Heard**,
Boulder, CO (US); **Joe Den Sartor**,
Longmont, CO (US); **Dale Francis
Schmaltz**, Fort Collins, CO (US);
Ronald J. Podhajsky, Boulder, CO
(US)

(73) Assignee: **Sherwood Services AG**, Schaffhausen
(CH)

(**) Term: **14 Years**

(21) Appl. No.: **29/193,706**

(22) Filed: **Nov. 13, 2003**

(51) **LOC (8) Cl.** **24-02**

(52) **U.S. Cl.** **D24/144**

(58) **Field of Classification Search** D24/144,
D24/133, 147; 606/1, 40, 42, 43, 45, 190
See application file for complete search history.

(56) **References Cited**

U.S. PATENT DOCUMENTS

3,460,539	A	8/1969	Anhalt, Sr.	
3,825,004	A	7/1974	Durden, III	
3,828,780	A	8/1974	Morrison, Jr.	
3,875,945	A	4/1975	Friedman	
3,902,494	A	9/1975	Haberlen et al.	
3,906,955	A	9/1975	Roberts	
3,967,084	A	6/1976	Pounds	
3,974,833	A	8/1976	Durden, III	
4,032,738	A	6/1977	Esty et al.	
4,034,761	A	7/1977	Prater et al.	
D253,247	S	* 10/1979	Gill D24/144
4,232,676	A	11/1980	Herczog	
4,314,559	A	2/1982	Allen	
4,427,006	A	1/1984	Nottke	
4,443,935	A	4/1984	Zamba et al.	
4,459,443	A	7/1984	Lewandowski	
4,463,234	A	7/1984	Bennewitz	

(Continued)

FOREIGN PATENT DOCUMENTS

EP	1050277	11/2000
EP	1050279	11/2000
EP	1082945	3/2001
EP	1293171	3/2003
FR	2235669	1/1975
WO	WO94/20032	9/1994

OTHER PUBLICATIONS

International Search Report from PCT/US03/37111.
International Search Report from PCT/US04/04685.
International Search Report from EP/0401/5980.
International Search Report from PCT/US03/22900.

Primary Examiner—Ian Simmons

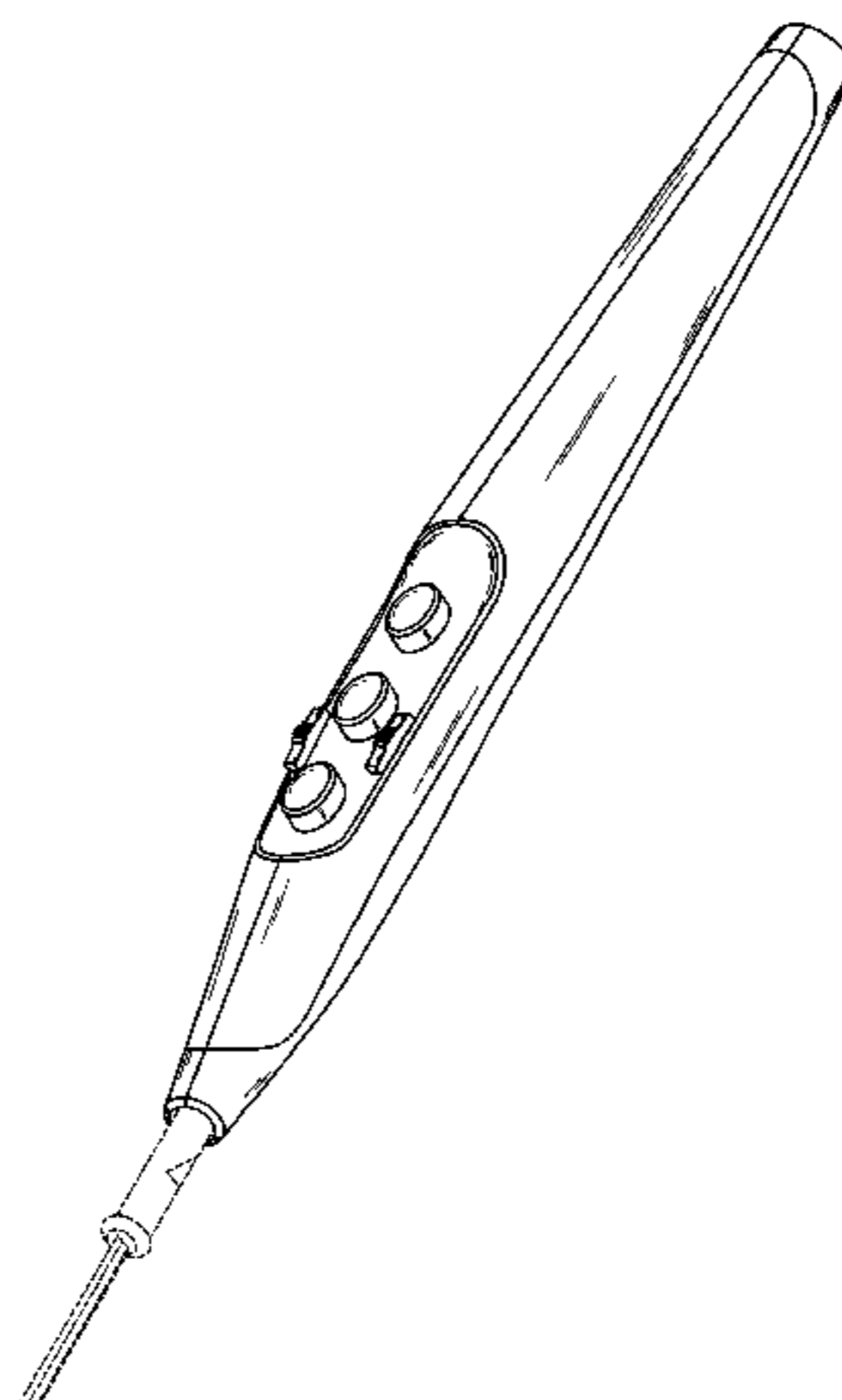
(57) **CLAIM**

The ornamental design for an electrosurgical pencil with three button control, as shown and described.

DESCRIPTION

FIG. 1 is a perspective view of the electrosurgical pencil with three button control showing the present design; FIG. 2 is a left, side elevational view of the electrosurgical pencil with three button control of FIG. 1, the right side view being a mirror image of the left side view; FIG. 3 is a front elevational view of the electrosurgical pencil with three button control of FIG. 1; FIG. 4 is a rear elevational view of the electrosurgical pencil with three button control of FIG. 1; FIG. 5 is a top plan view of the electrosurgical pencil with three button control of FIG. 1; FIG. 6 is a bottom plan view of the electrosurgical pencil with three button control of FIG. 1; and, FIG. 7 is a rear perspective view of the electrosurgical pencil with three button control of FIG. 1. The broken lines showing in FIGS. 1–7 are for illustrative purposes only and form no part of the claimed design.

1 Claim, 4 Drawing Sheets



US D521,641 S

U.S. PATENT DOCUMENTS							
4,463,759	A	8/1984	Garito et al.	5,342,356	A	8/1994	Ellman et al.
4,492,231	A	1/1985	Auth	5,348,555	A	9/1994	Zinnanti
4,545,375	A	10/1985	Cline	5,376,089	A	12/1994	Smith
4,562,838	A	1/1986	Walker	5,380,320	A	1/1995	Morris
4,589,411	A	5/1986	Friedman	5,382,247	A	1/1995	Cimino et al.
4,619,258	A	10/1986	Pool	5,395,363	A	3/1995	Billings et al.
4,625,723	A	12/1986	Altnether et al.	5,399,823	A	3/1995	McCusker
4,640,279	A	2/1987	Beard	5,401,273	A	3/1995	Shippert
4,642,128	A	2/1987	Solorzano	5,403,882	A	4/1995	Huggins
4,655,215	A	4/1987	Pike	5,406,945	A	4/1995	Riazzi et al.
4,657,016	A	4/1987	Garito et al.	5,409,484	A	4/1995	Erlich et al.
4,683,884	A	8/1987	Hatfield et al.	5,413,575	A	5/1995	Haenggi
4,688,569	A	8/1987	Rabinowitz	5,421,829	A	6/1995	Olichney et al.
4,701,193	A	10/1987	Robertson et al.	5,431,650	A	7/1995	Cosmescu
4,735,603	A	4/1988	Goodson et al.	5,451,222	A	9/1995	De Maagd et al.
4,754,754	A	7/1988	Garito et al.	5,460,602	A	10/1995	Shapira
4,785,807	A	11/1988	Blanch	5,462,522	A	10/1995	Sakurai et al.
4,827,911	A	5/1989	Broadwin et al.	5,484,398	A	1/1996	Stoddard
4,846,790	A	7/1989	Hornlein et al.	5,484,434	A	1/1996	Cartmell et al.
4,850,353	A	7/1989	Stasz et al.	5,486,162	A	1/1996	Brumbach
4,862,890	A	9/1989	Stasz et al.	5,494,882	A	2/1996	Satake et al.
4,869,715	A	9/1989	Sherburne	5,498,654	A	3/1996	Shimasaki et al.
4,886,060	A	12/1989	Wiksell	5,531,722	A	7/1996	Van Hale
4,901,719	A	2/1990	Trenconsky et al.	5,549,604	A	8/1996	Sutcu et al.
4,909,249	A	3/1990	Akkas et al.	5,601,224	A	2/1997	Bishop et al.
4,911,159	A	3/1990	Johnson et al.	5,609,573	A	3/1997	Sandock
4,916,275	A	4/1990	Almond	5,634,912	A	6/1997	Injev
4,921,476	A	5/1990	Wuchinich	5,643,256	A	7/1997	Urueta
4,931,047	A	6/1990	Broadwin et al.	5,669,907	A	9/1997	Platt, Jr. et al.
4,986,839	A	1/1991	Wertz et al.	5,693,050	A	12/1997	Speiser
4,988,334	A	1/1991	Hornlein et al.	5,693,052	A	12/1997	Weaver
5,015,227	A	5/1991	Broadwin et al.	5,697,926	A	12/1997	Weaver
5,026,368	A	6/1991	Adair	5,702,360	A	12/1997	Dieras et al.
5,055,100	A	10/1991	Olsen	5,702,387	A	12/1997	Arts et al.
5,071,418	A	12/1991	Rosenbaum	5,713,895	A	2/1998	Lontine et al.
5,076,276	A	12/1991	Sakurai et al.	5,720,745	A	2/1998	Farin et al.
5,088,997	A	2/1992	Delahuerga et al.	D393,067	S *	3/1998	Geary et al. D24/144
5,098,430	A	3/1992	Fleenor	5,747,218	A	5/1998	Momota et al.
5,100,402	A	3/1992	Fan	5,765,418	A	6/1998	Rosenberg
5,133,714	A	7/1992	Beane	5,776,092	A	7/1998	Farin et al.
5,147,292	A	9/1992	Kullas et al.	5,797,907	A	8/1998	Clement
D330,253	S	10/1992	Burek	5,836,897	A	11/1998	Sakurai et al.
5,160,334	A	11/1992	Billings et al.	D402,030	S *	12/1998	Roberts et al. D24/144
5,162,044	A	11/1992	Gahn et al.	D402,031	S *	12/1998	Roberts et al. D24/144
5,178,605	A	1/1993	Imonti	5,843,109	A	12/1998	Mehta et al.
5,190,517	A	3/1993	Zieve et al.	5,868,768	A	2/1999	Wicherski et al.
5,192,267	A	3/1993	Shapira et al.	5,893,862	A	4/1999	Pratt et al.
5,195,959	A	3/1993	Smith	5,941,887	A	8/1999	Steen et al.
5,196,007	A	3/1993	Ellman et al.	5,944,737	A	8/1999	Tsonton et al.
5,197,962	A	3/1993	Sansom et al.	5,951,581	A	9/1999	Saadat et al.
5,199,944	A	4/1993	Cosmescu	5,972,007	A	10/1999	Sheffield et al.
5,217,457	A	6/1993	Delahuerga et al.	6,004,318	A	12/1999	Garito et al.
5,224,944	A	7/1993	Elliott	6,004,333	A	12/1999	Sheffield et al.
5,226,904	A	7/1993	Gentelia et al.	6,063,050	A	5/2000	Manna et al.
5,233,515	A	8/1993	Cosman	6,070,444	A	6/2000	Lontine et al.
5,234,428	A	8/1993	Kaufman	6,099,525	A	8/2000	Cosmescu
5,242,442	A	9/1993	Hirschfeld	6,117,134	A	9/2000	Cunningham et al.
5,244,462	A	9/1993	Delahuerga et al.	6,139,547	A	10/2000	Lontine et al.
5,246,440	A	9/1993	Van Noord	6,142,995	A	11/2000	Cosmescu
5,254,082	A	10/1993	Takase	6,146,353	A	11/2000	Platt, Jr.
5,254,117	A	10/1993	Rigby et al.	D441,077	S	4/2001	Garito et al.
5,256,138	A	10/1993	Burek et al.	6,213,999	B1	4/2001	Platt, Jr. et al.
5,269,781	A	12/1993	Hewell, III	6,249,706	B1	6/2001	Sobota et al.
5,300,087	A	4/1994	Knoepfler	6,251,110	B1	6/2001	Wampler
5,304,763	A	4/1994	Ellman et al.	6,257,241	B1	7/2001	Wampler
5,306,238	A	4/1994	Fleenor	6,258,088	B1	7/2001	Tzonev et al.
5,312,329	A	5/1994	Beaty et al.	6,287,344	B1	9/2001	Wampler et al.
5,318,516	A	6/1994	Cosmescu	6,312,441	B1	11/2001	Deng
5,318,565	A	6/1994	Kuriloff et al.	D453,222	S	1/2002	Garito et al.
5,334,183	A	8/1994	Wuchinich	6,358,281	B1	3/2002	Berrang et al.
				6,361,532	B1	3/2002	Burek

US D521,641 S

Page 3

6,402,748 B1	6/2002	Schoenman et al.		2003/0004508 A1	1/2003	Morgan et al.
D493,530 S *	7/2004	Reschke	D24/144	2004/0092927 A1	5/2004	Podhajsky et al.
D493,888 S	8/2004	Reschke		2004/0230262 A1	11/2004	Sartor et al.
D495,051 S	8/2004	Reschke				
D495,052 S	8/2004	Reschke				

* cited by examiner

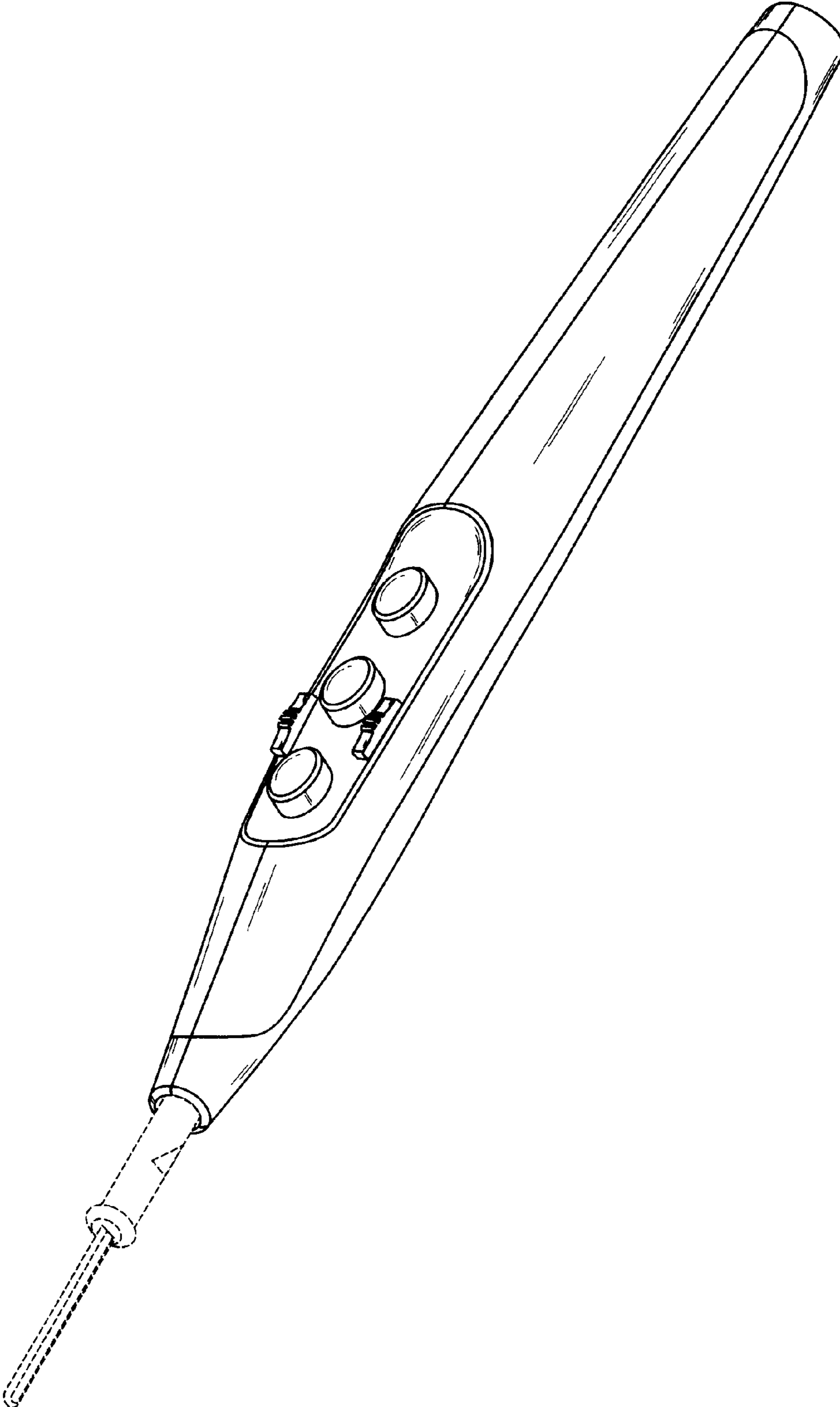


FIG. 1

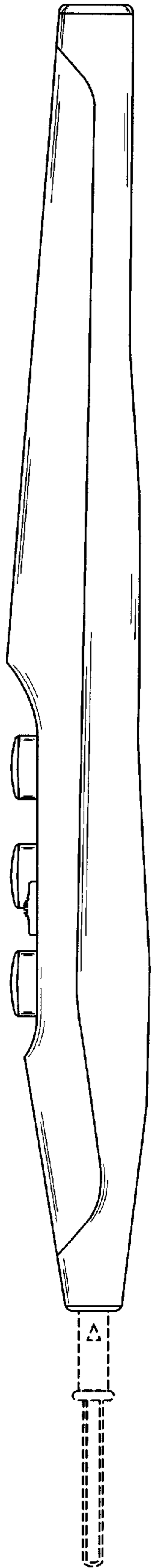


FIG. 2

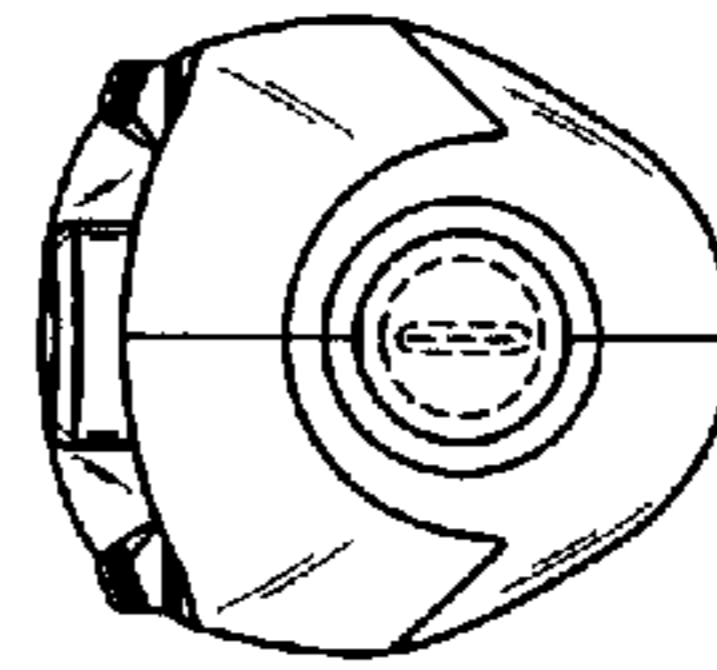


FIG. 3

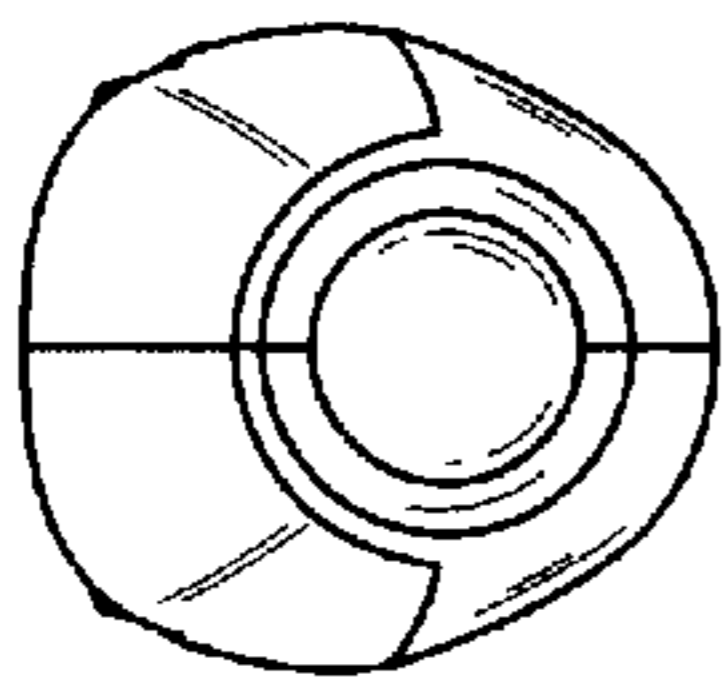


FIG. 4

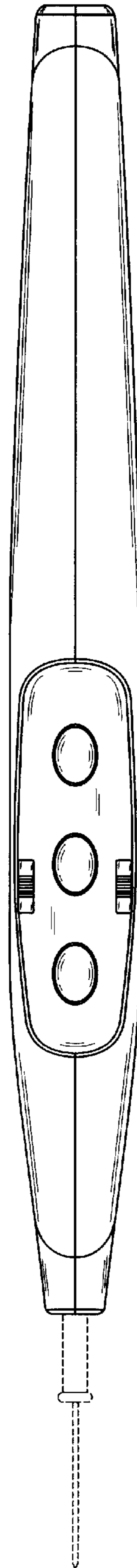


FIG. 5

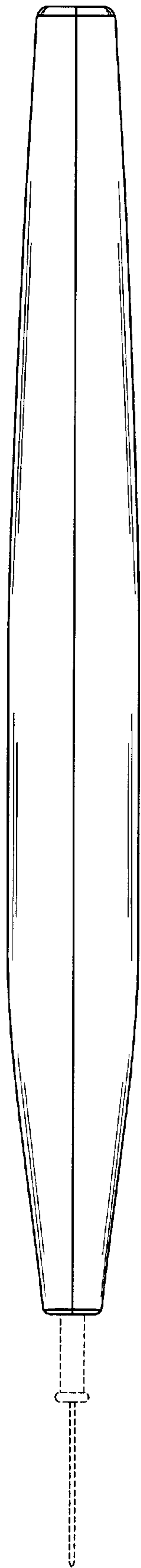


FIG. 6

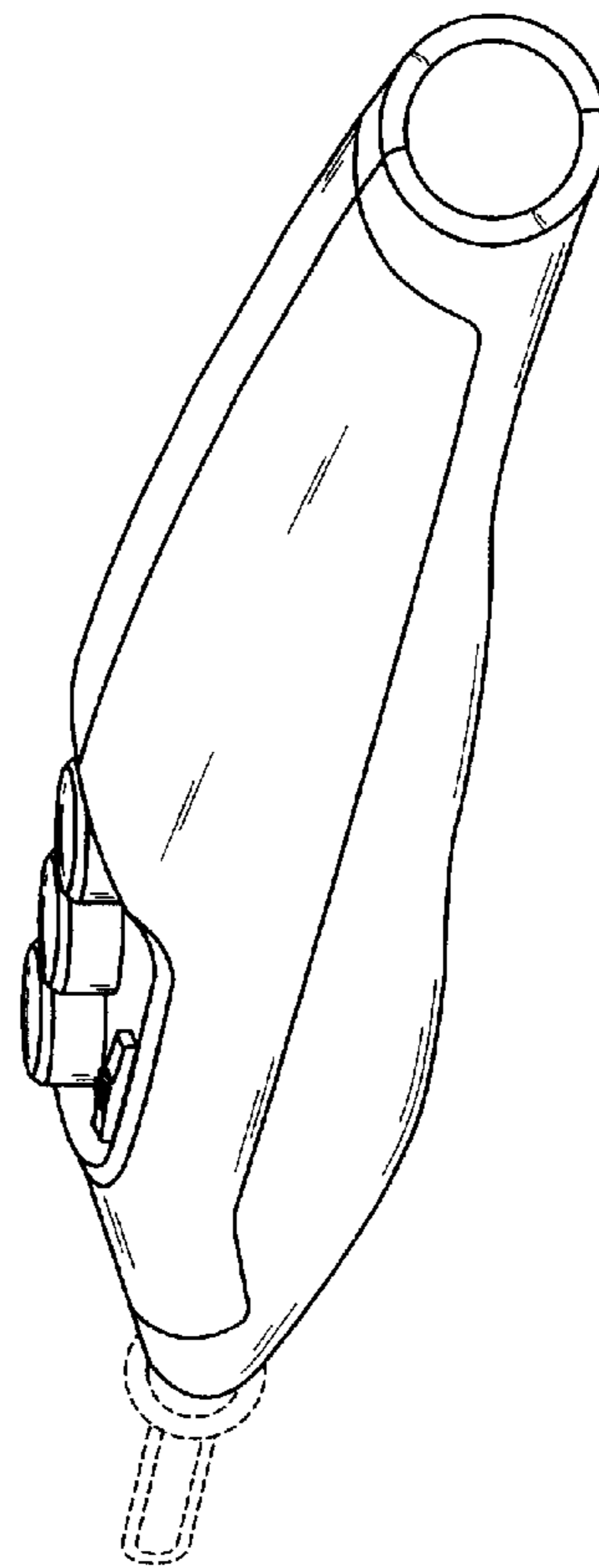


FIG. 7