

US00D521640S

(12) **United States Design Patent**
Massey

(10) **Patent No.:** **US D521,640 S**

(45) **Date of Patent:** **** May 23, 2006**

(54) **CANISTER WITH HEAD UNIT**

D473,460 S * 4/2003 Whitworth D9/504
D492,193 S * 6/2004 Miller et al. D9/688

(75) Inventor: **Laurence Massey**, Bray (IE)

* cited by examiner

(73) Assignee: **BTG International Limited**, London (GB)

(**) Term: **14 Years**

Primary Examiner—Louis S. Zarfes

Assistant Examiner—Daniel Yu

(21) Appl. No.: **29/200,416**

(74) *Attorney, Agent, or Firm*—Hoffman, Wasson & Gitler PC

(22) Filed: **Feb. 27, 2004**

(30) **Foreign Application Priority Data**

Aug. 28, 2003 (GB) 3014210

(57) **CLAIM**

The ornamental design for a canister with head unit, as shown and described.

(51) **LOC (8) Cl.** **24-04**

(52) **U.S. Cl.** **D24/121; D9/503**

(58) **Field of Classification Search** D24/121, D24/224; D9/744, 745, 448, 452, 449, 504, D9/688, 690, 500, 502, 435, 439, 444, 445, D9/454; 215/6, 10; 222/394, 3, 4
See application file for complete search history.

DESCRIPTION

FIG. 1 is a perspective view of the canister with head unit;

FIG. 2 is a left side view of the canister with head unit, the right side view being a mirror image thereof; and,

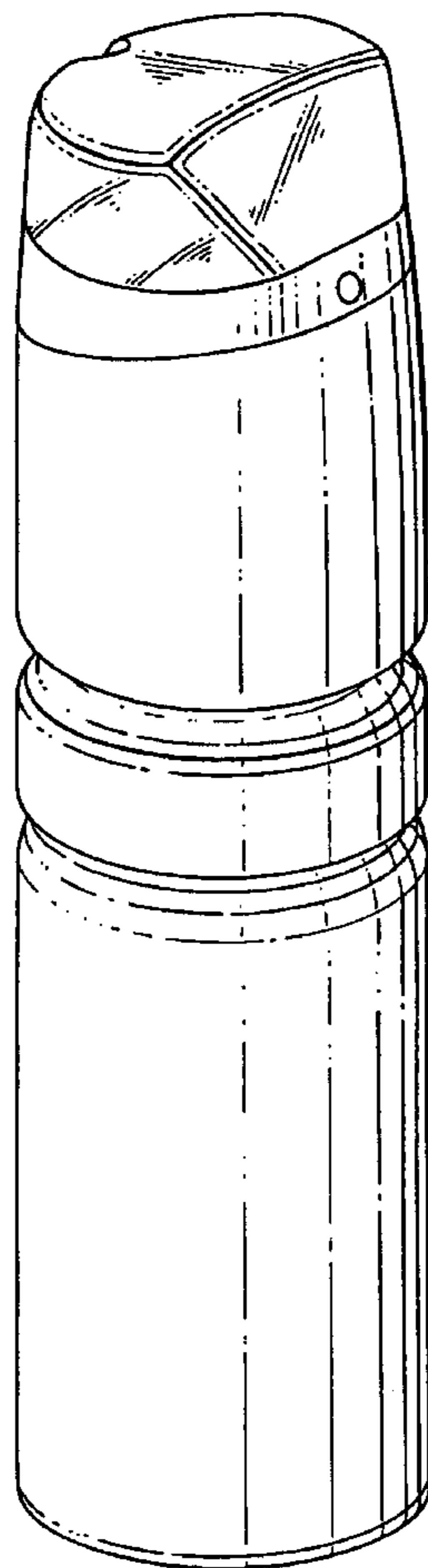
FIG. 3 is a front view of the canister with head unit.

(56) **References Cited**

U.S. PATENT DOCUMENTS

D267,629 S * 1/1983 Hasegawa et al. D9/504

1 Claim, 2 Drawing Sheets



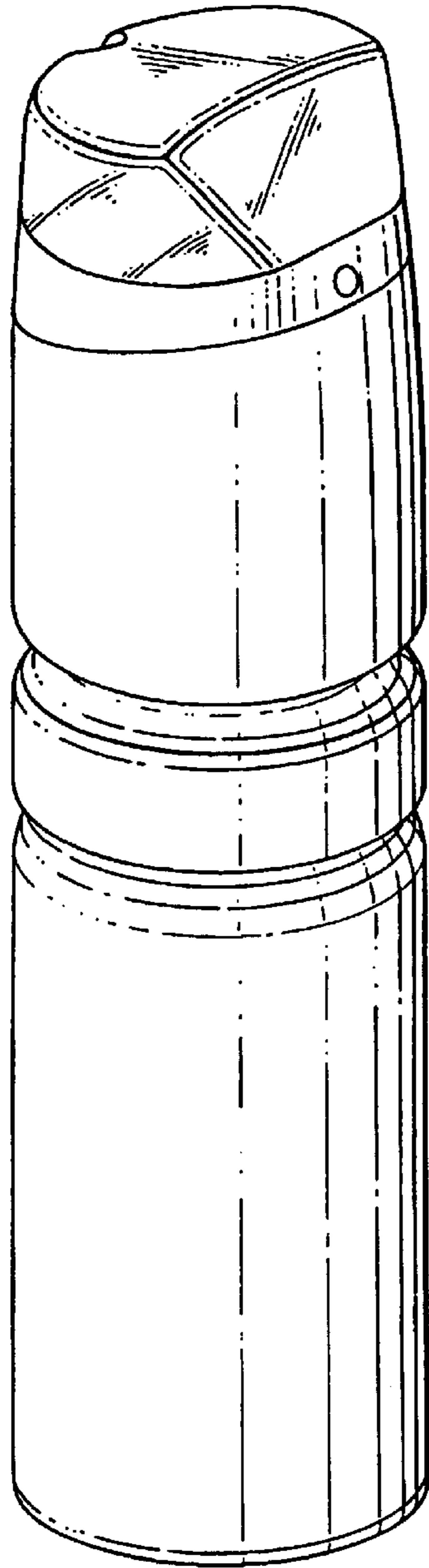


FIGURE 1

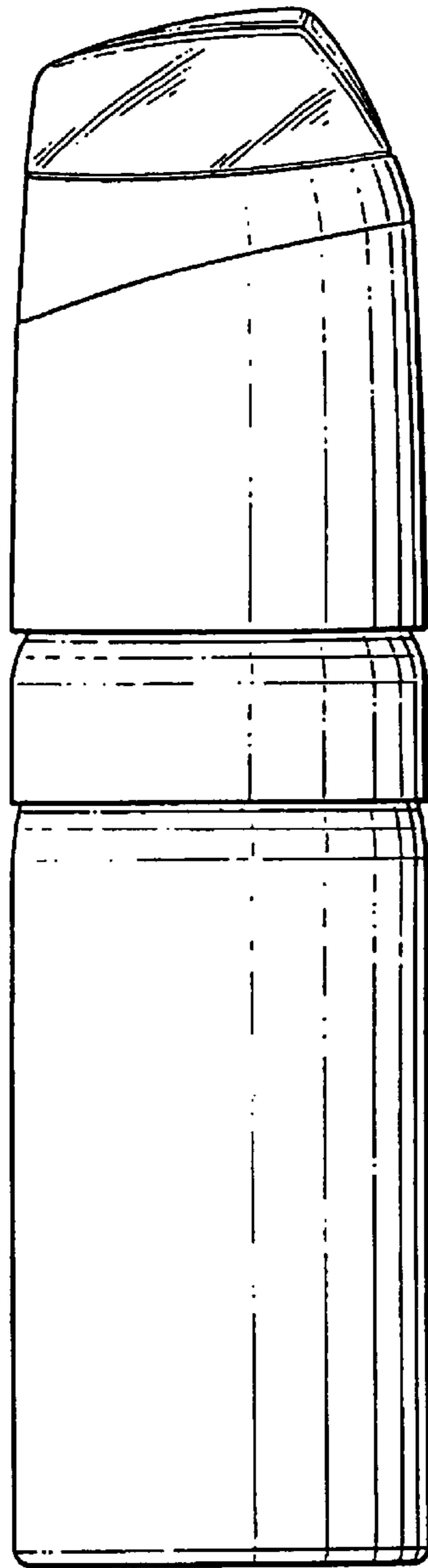


FIGURE 2

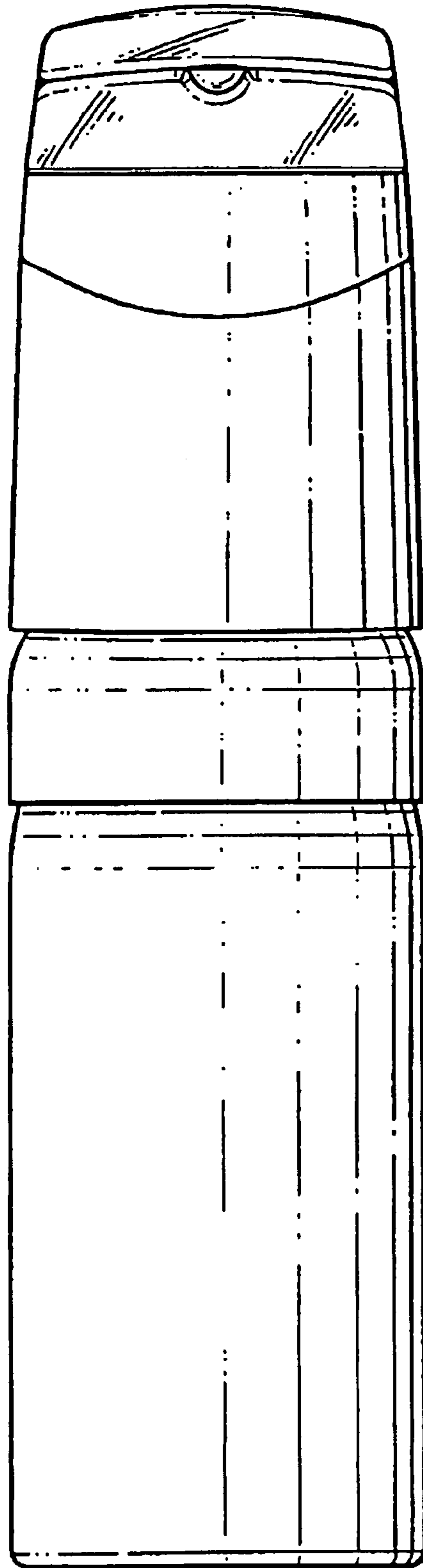


FIGURE 3