



US00D521639S

(12) **United States Design Patent**
Py et al.

(10) **Patent No.:** **US D521,639 S**

(45) **Date of Patent:** **** May 23, 2006**

(54) **OPHTHALMIC DELIVERY DEVICE**

(75) Inventors: **Daniel Py**, Stamford, CT (US); **Julian V. Chan**, Spring Valley, NY (US)

(73) Assignee: **Medical Instill Technologies, Inc.**, Stamford, CT (US)

(**) Term: **14 Years**

(21) Appl. No.: **29/193,804**

(22) Filed: **Nov. 14, 2003**

(51) **LOC (8) Cl.** **24-01**

(52) **U.S. Cl.** **D24/108**

(58) **Field of Classification Search** D24/108,
D24/113, 120, 110; D9/529, 688; 604/294-302;
222/420

See application file for complete search history.

(56) **References Cited**

U.S. PATENT DOCUMENTS

1,471,091 A	10/1923	Bessesen	
3,921,333 A	11/1975	Clendinning et al.	47/37
3,993,069 A	11/1976	Buckles et al.	128/214 F
4,023,607 A	5/1977	Jensen et al.	150/1
4,233,262 A	11/1980	Curto	264/509
4,240,465 A	12/1980	Rader	137/564.5
4,264,018 A	4/1981	Warren	222/95
4,479,989 A	10/1984	Mahal	428/35
4,482,585 A	11/1984	Ohodaira et al.	428/35
4,501,781 A	2/1985	Kushida et al.	428/35
4,578,295 A	3/1986	Jabarin	428/35
4,579,757 A	4/1986	Su et al.	428/35
4,603,066 A	7/1986	Jabarin	428/35
4,636,412 A	1/1987	Field	428/35
4,700,838 A	10/1987	Falciani et al.	206/438
4,704,510 A	11/1987	Matsui	219/10.55 E
4,784,652 A	11/1988	Wikström	604/295
4,854,481 A	8/1989	Bohl et al.	222/94
4,859,513 A	8/1989	Gibbons et al.	428/34.2
4,880,675 A	11/1989	Mehta	428/35.7
4,910,147 A	3/1990	Bacehowski et al.	435/296
4,921,733 A	5/1990	Gibbons et al.	428/34.2
4,981,479 A	1/1991	Py	604/302

5,102,705 A	4/1992	Yammoto et al.	428/36.92
5,238,153 A	8/1993	Castillo et al.	222/189
5,263,946 A	11/1993	Klug	604/327
5,267,986 A	12/1993	Py	604/294
5,320,845 A	6/1994	Py	424/427
5,366,108 A	11/1994	Darling	222/1
5,387,202 A *	2/1995	Baron	604/300
5,401,259 A	3/1995	Py	604/294
5,419,465 A	5/1995	Schroeder	222/386.5
5,429,254 A	7/1995	Christine	215/11.1
RE35,187 E	3/1996	Gortz	222/105
D368,774 S	4/1996	Py	D24/113
D374,719 S	10/1996	Py	D24/120
5,562,960 A	10/1996	Sugiura et al.	428/35.7
5,565,160 A	10/1996	Makuuchi et al.	264/485
5,613,957 A	3/1997	Py	604/294
5,615,795 A	4/1997	Tipps	220/410
5,641,004 A	6/1997	Py	141/3
5,676,267 A	10/1997	Slat et al.	215/12.1
5,685,869 A	11/1997	Py	604/294
5,687,882 A	11/1997	Mueller	222/212
5,746,728 A	5/1998	Py	604/298
5,780,130 A	7/1998	Hansen et al.	428/35.7
5,803,311 A	9/1998	Fuchs	222/105
5,804,236 A	9/1998	Frisk	426/106
5,816,772 A	10/1998	Py	414/786
5,875,931 A	3/1999	Py	222/137
5,931,386 A	8/1999	Jouillat	239/463
5,944,702 A	8/1999	Py	604/298
RE36,410 E	11/1999	Meshberg	141/2
6,033,384 A	3/2000	Py	604/186
6,062,430 A	5/2000	Fuchs	222/105
D445,177 S *	7/2001	Cogger	D24/120
6,343,713 B1	2/2002	Abplanalp	222/95
D461,892 S *	8/2002	Cohen et al.	D24/120
D485,489 S	1/2004	Kadlubowski et al.	D9/300
6,736,802 B1 *	5/2004	Recanati	604/295
D492,192 S *	6/2004	Py et al.	D9/688

FOREIGN PATENT DOCUMENTS

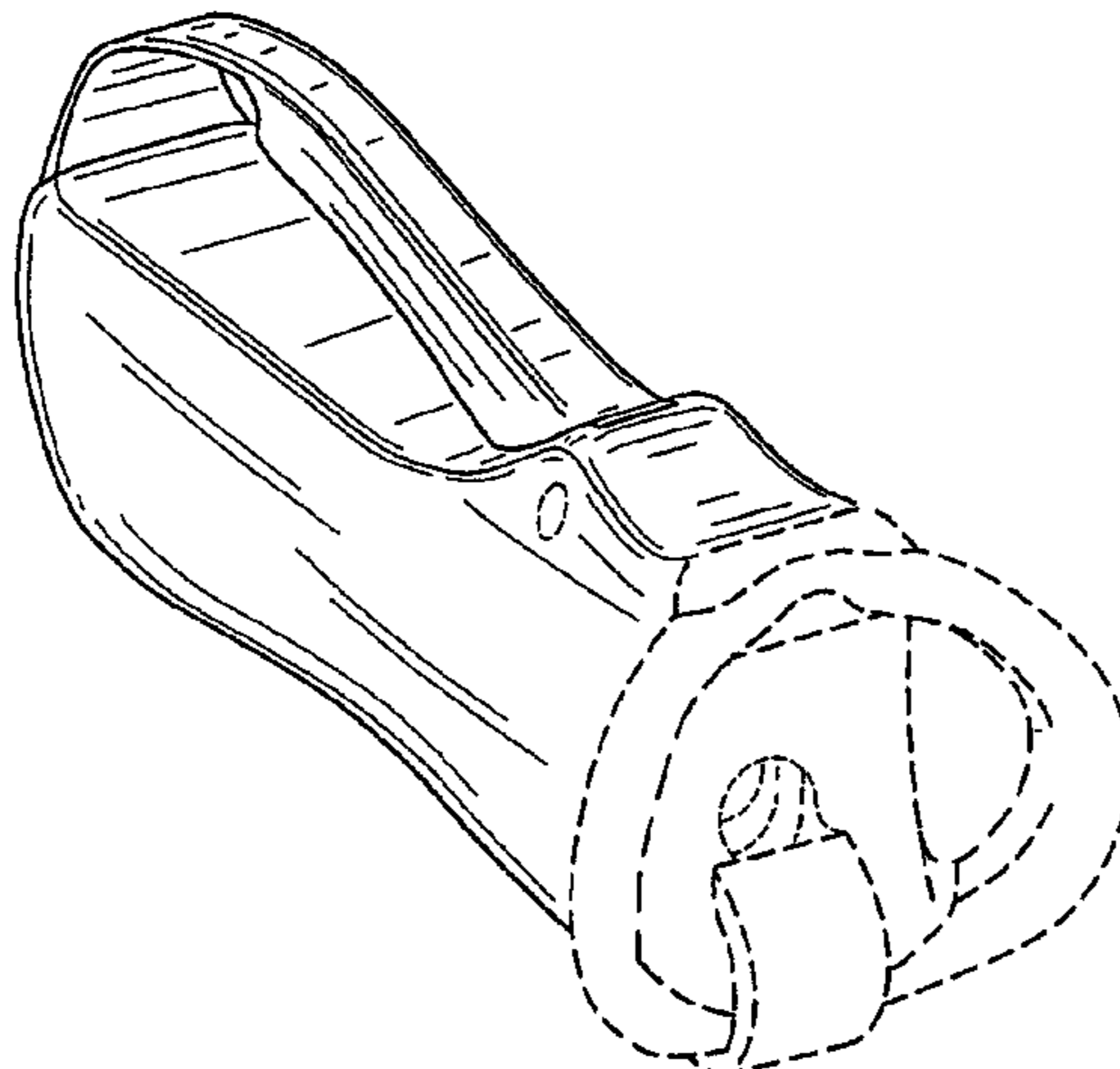
EP 0802827 B1 8/1998

* cited by examiner

Primary Examiner—Louis S. Zarfaz

Assistant Examiner—Daniel Yu

(74) *Attorney, Agent, or Firm*—McCarter & English, LLP



(57)

CLAIM

The ornamental design for an ophthalmic delivery device, as shown and described.

DESCRIPTION

FIG. 1 is a right side elevational view of an ophthalmic delivery device showing our new design, the broken lines are for illustrative purposes only and form no part of the claimed design;

FIG. 2 is a top plan view of the ophthalmic device of FIG. 1;

FIG. 3 is a bottom plan view of the ophthalmic delivery device of FIG. 1;

FIG. 4 is a front elevational view of the ophthalmic delivery device of FIG. 1;

FIG. 5 is a rear elevational view of the ophthalmic delivery device of FIG. 1;

FIG. 6 is a left side elevational view of the ophthalmic delivery device of FIG. 1; and,

FIG. 7 is a front perspective view of the ophthalmic delivery device of FIG. 1.

1 Claim, 7 Drawing Sheets

FIG. 1

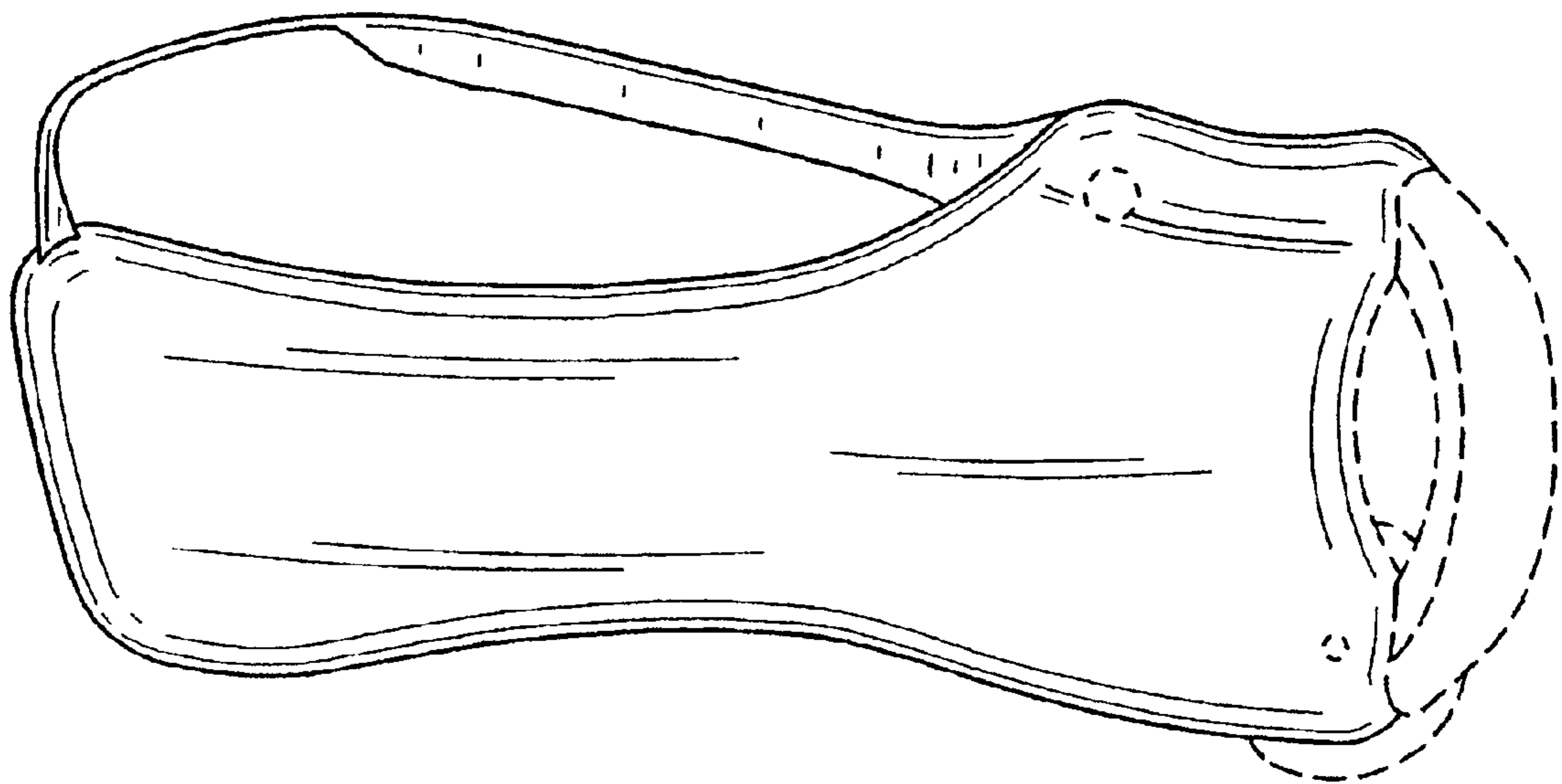


FIG. 2

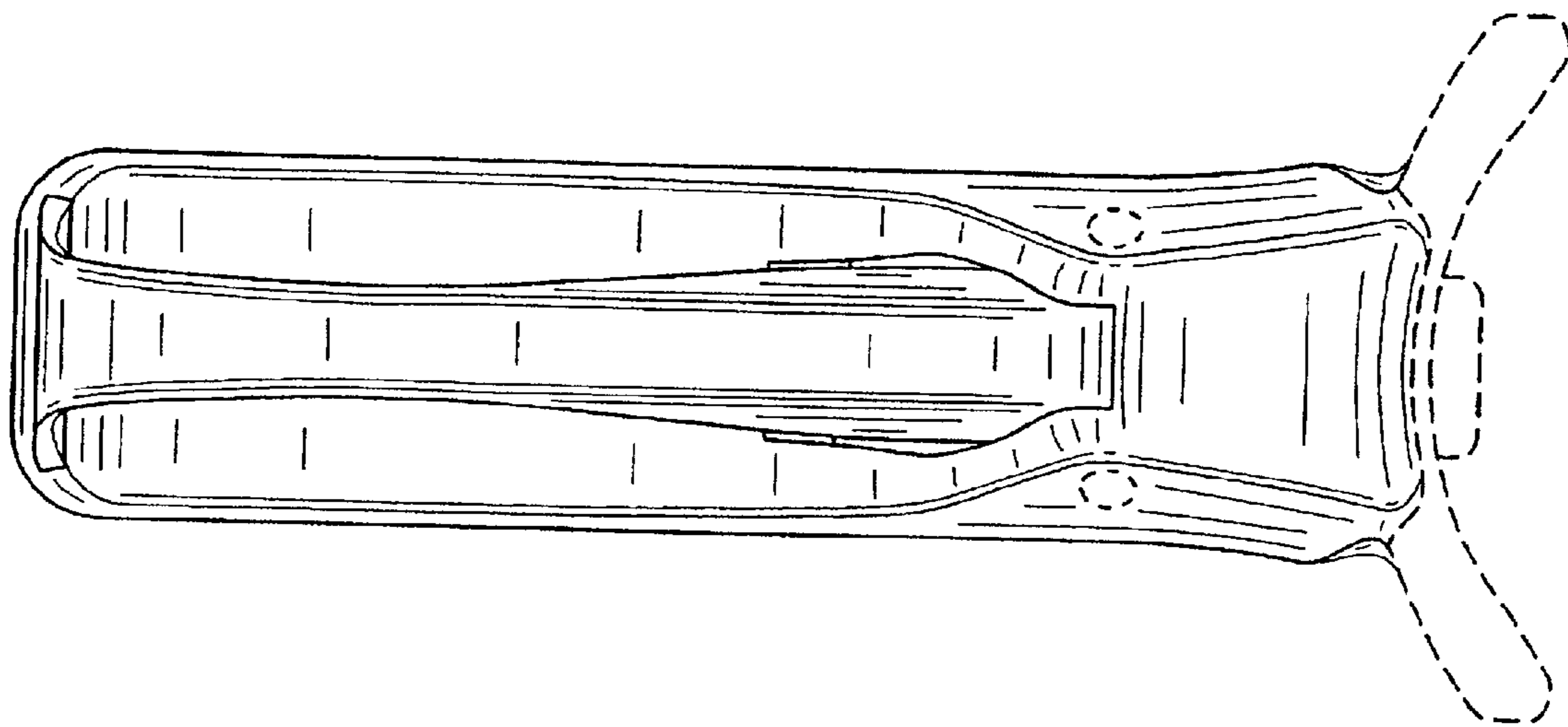


FIG. 3

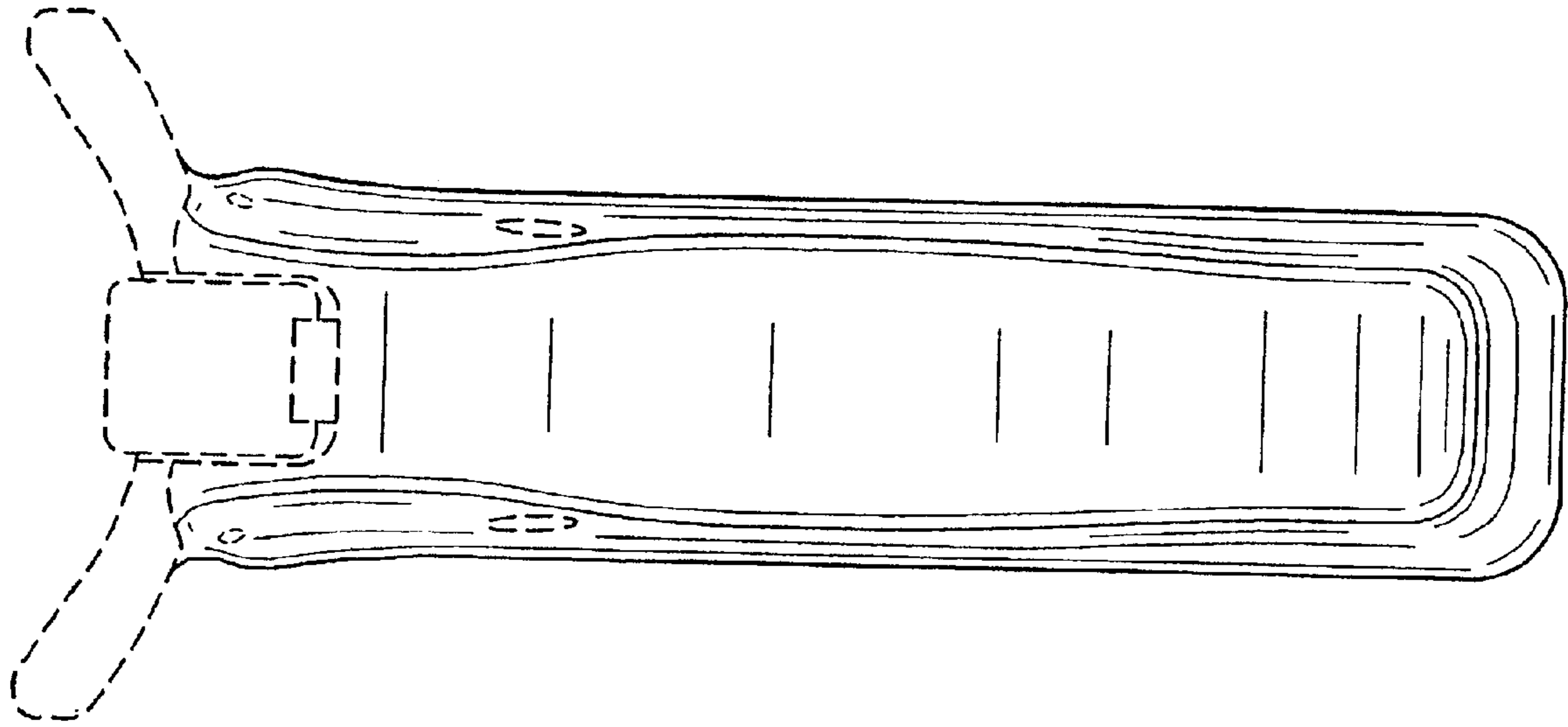


FIG. 4

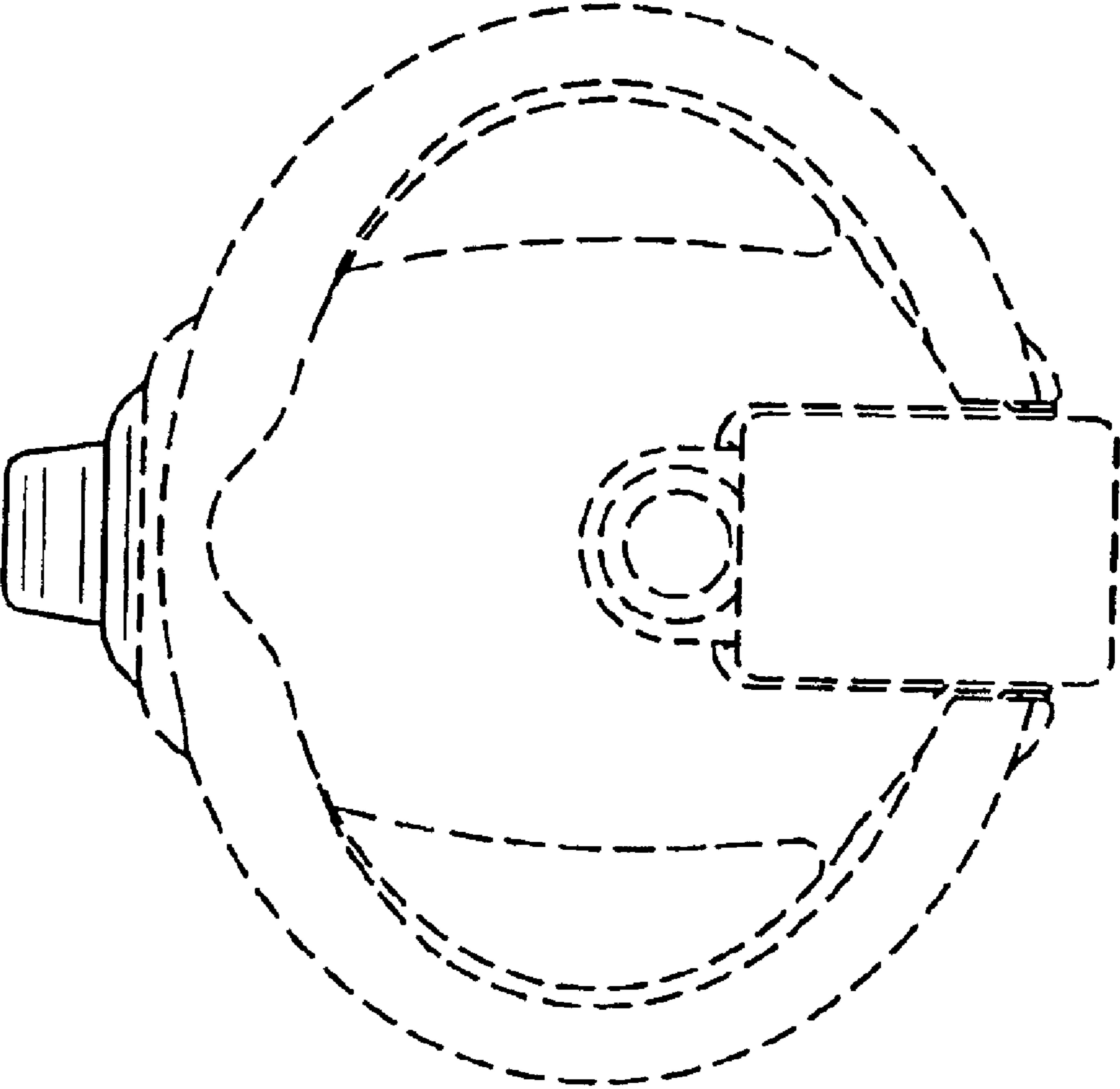


FIG. 5

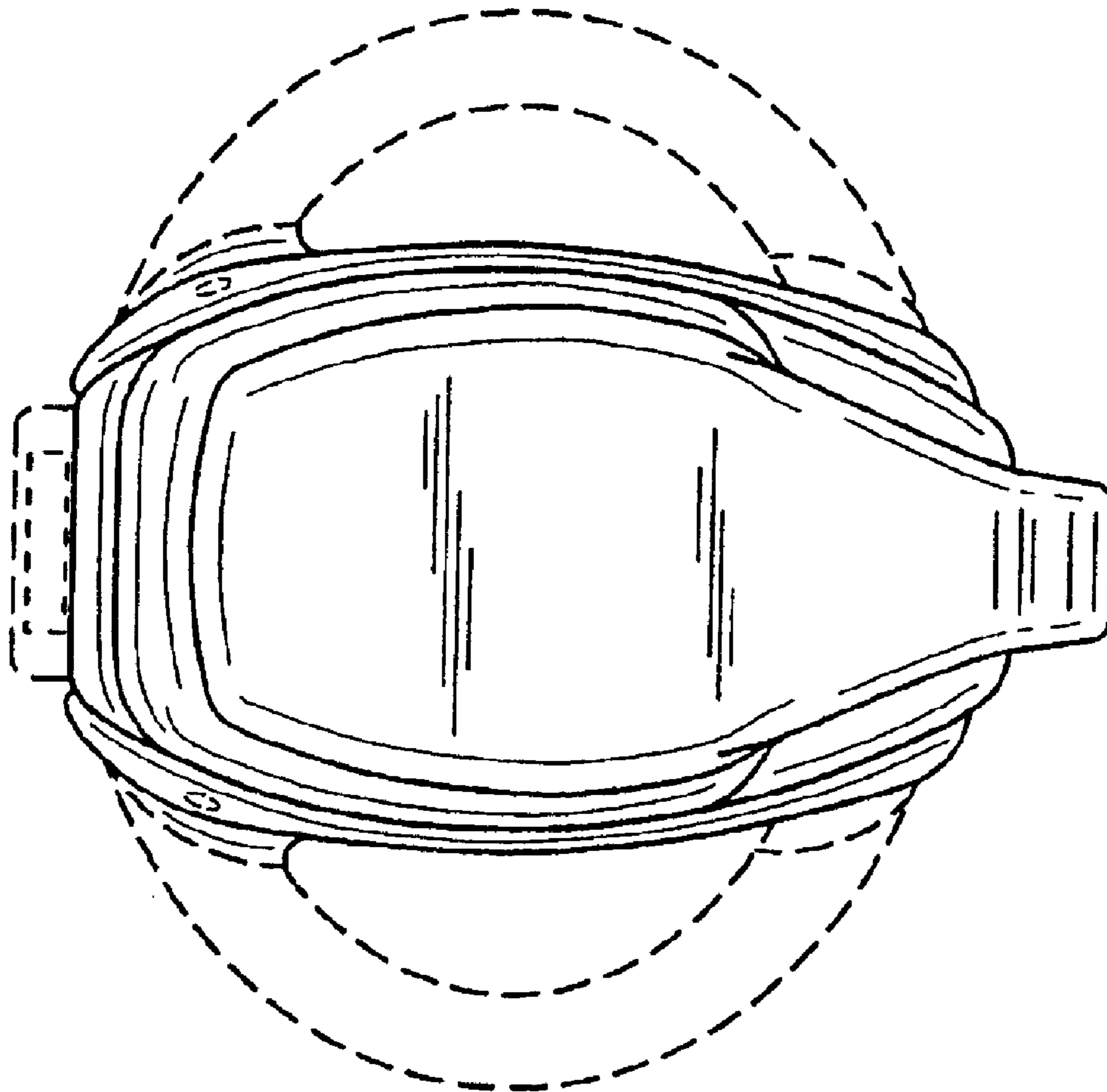


FIG. 6

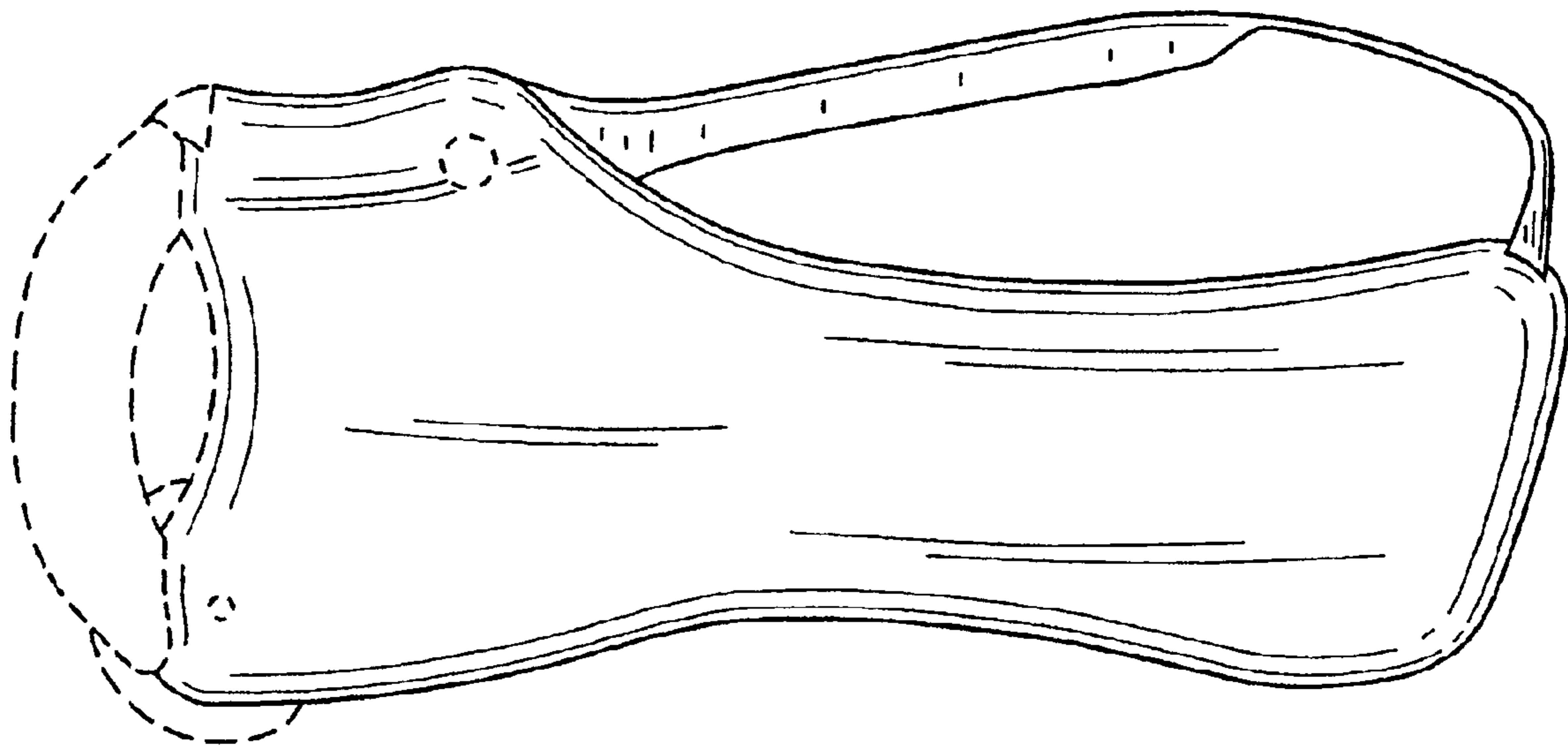


FIG. 7

