



US00D521636S

(12) **United States Design Patent**
Holland

(10) **Patent No.:** **US D521,636 S**

(45) **Date of Patent:** **** May 23, 2006**

(54) **SLEIGH WOOD RACK**

(76) Inventor: **Randy Holland**, 200 Rosa Le Dr.,
Fairfield, VA (US) 24435

(**) Term: **14 Years**

(21) Appl. No.: **29/205,468**

(22) Filed: **May 14, 2004**

(51) **LOC (8) Cl.** **23-03**

(52) **U.S. Cl.** **D23/410**

(58) **Field of Classification Search** D23/403-406,
D23/409-410, 415-419, 499, 396-402, 343-347,
D23/350; D25/55, 59, 60; D7/332-335, 339-340,
D7/347-349, 653; D8/DIG. 4; 126/500, 540,
126/543-544, 547; 52/36.3; 16/DIG. 11;
294/14; 280/845, 16, 21.1; D12/6-11
See application file for complete search history.

(56) **References Cited**

U.S. PATENT DOCUMENTS

D11,944 S	*	8/1880	Stivers	D12/9
459,336 A	*	9/1891	Smith	280/845
665,184 A	*	1/1901	Creighton	280/845
734,431 A	*	7/1903	Rix	280/845
742,485 A	*	10/1903	Perry	280/845

793,529 A	*	6/1905	Knapp	280/845
D152,220 S	*	12/1948	Shailer	D12/10
D187,035 S	*	1/1960	Singer	D12/6
D216,261 S	*	12/1969	Hamilton	D23/398
4,190,979 A	*	3/1980	Singer	446/93
D401,529 S	*	11/1998	Lippert et al.	D11/125

* cited by examiner

Primary Examiner—Sandra S. Snapp

(74) *Attorney, Agent, or Firm*—Wendy W. Koba

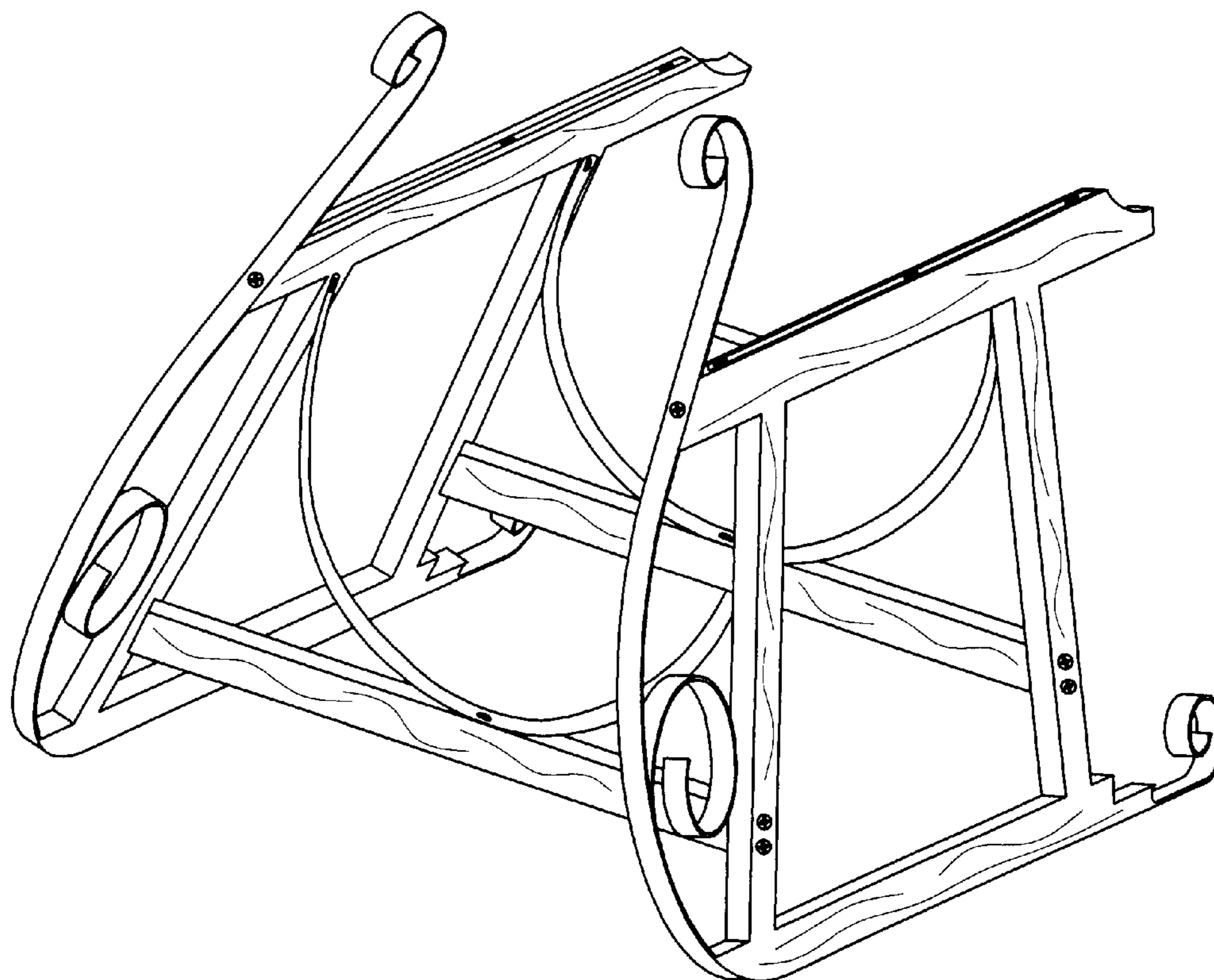
(57) **CLAIM**

The ornamental sleigh wood rack, as shown and described.

DESCRIPTION

FIG. 1 is a side elevational view of a sleigh wood rack in accordance with the present invention; FIG. 2 is a perspective view of a sleigh wood rack in accordance with the present invention; FIG. 3 is a front elevational view of a sleigh wood rack in accordance with the present invention; FIG. 4 is a rear elevational view of a sleigh wood rack in accordance with the present invention; and, FIG. 5 is a top plan view of a sleigh wood rack in accordance with the present invention.

1 Claim, 2 Drawing Sheets



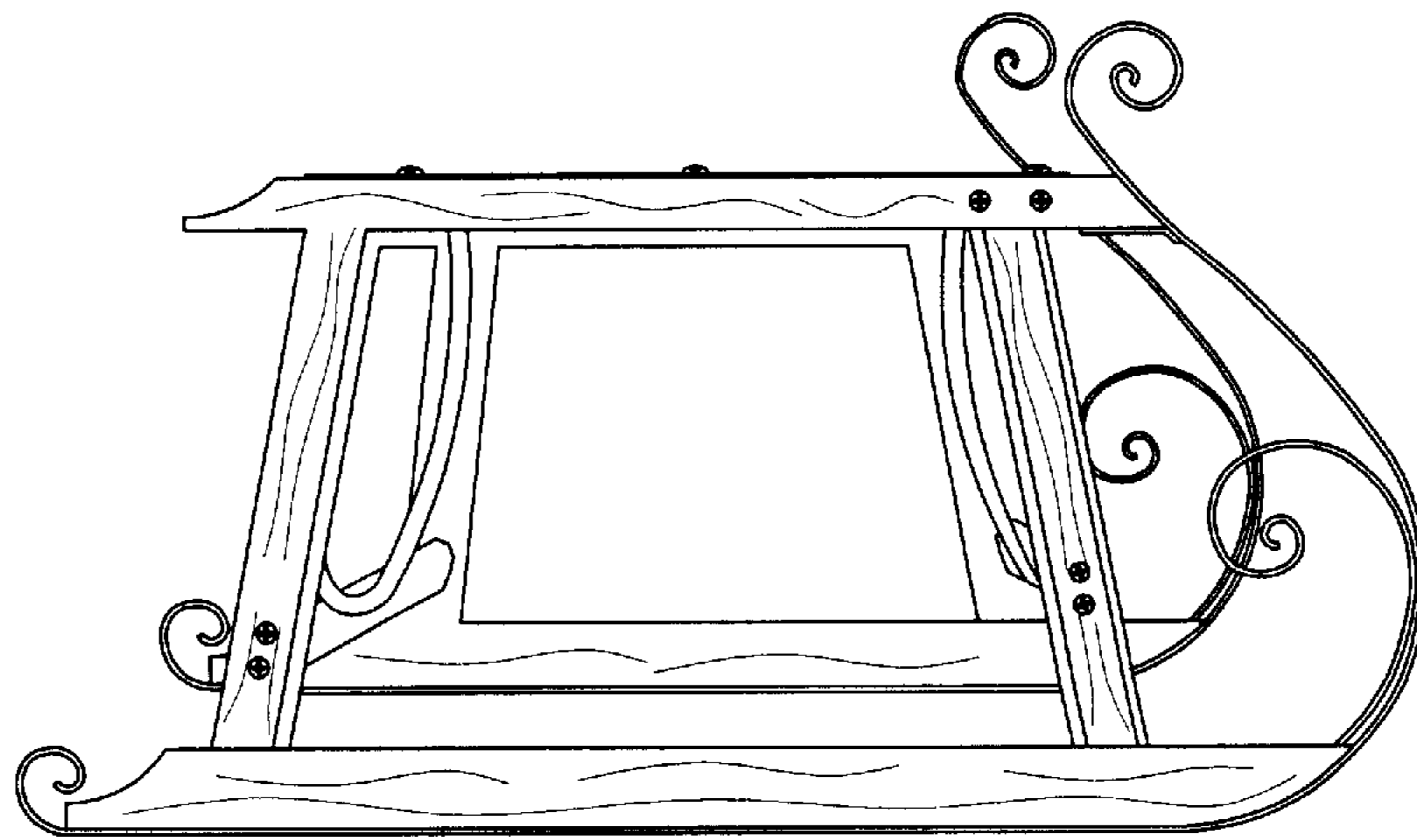


FIG. 1

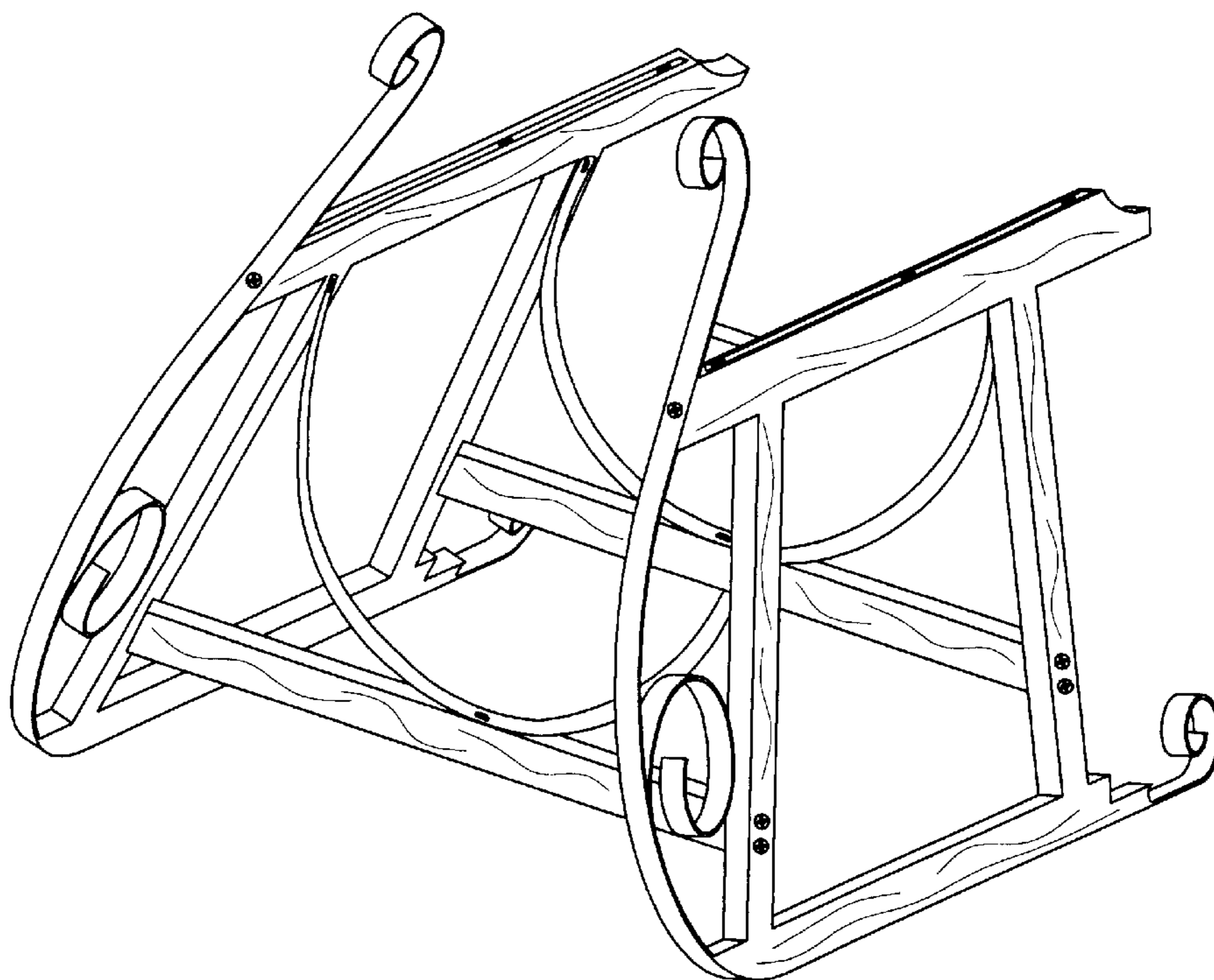


FIG. 2

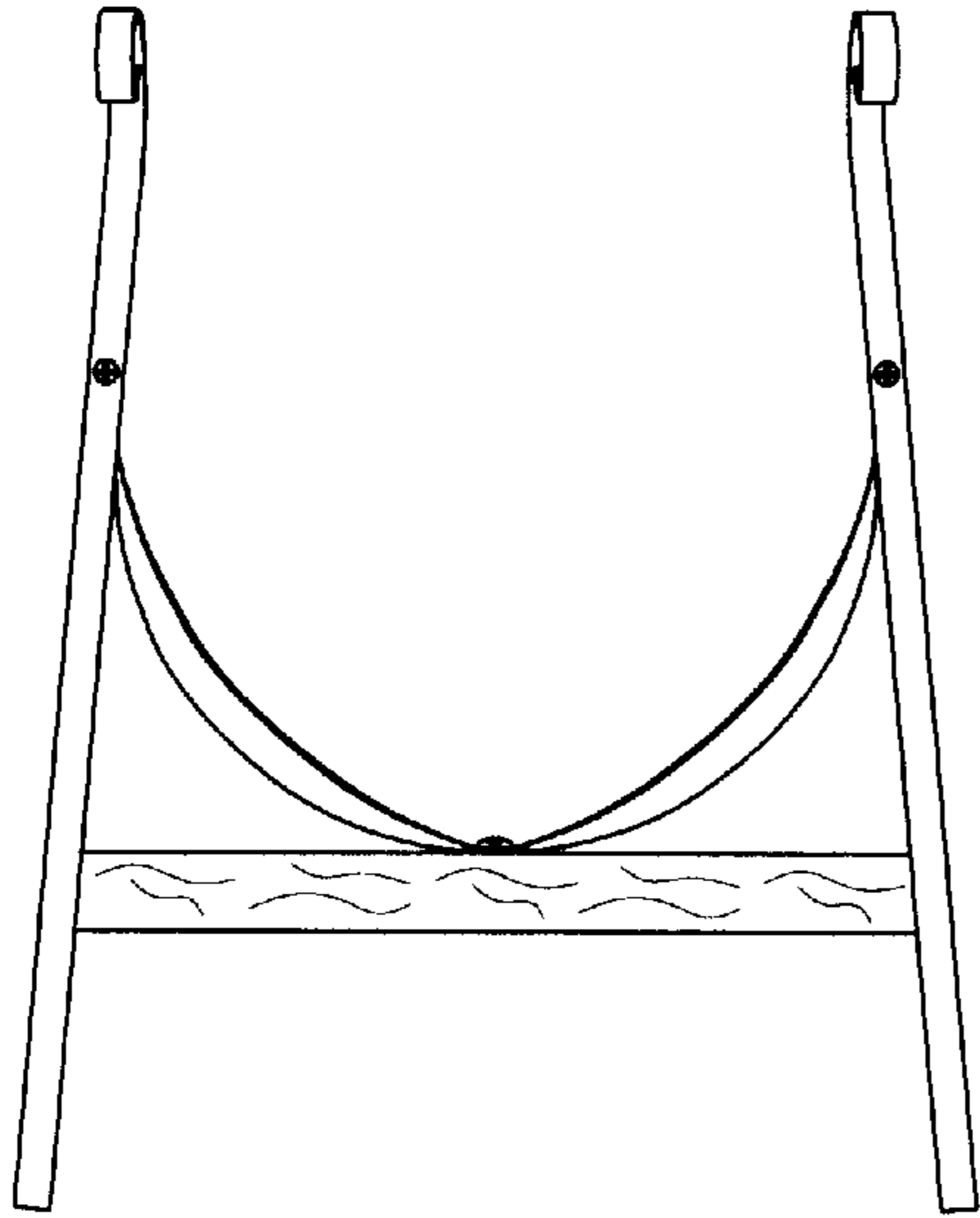


FIG. 3

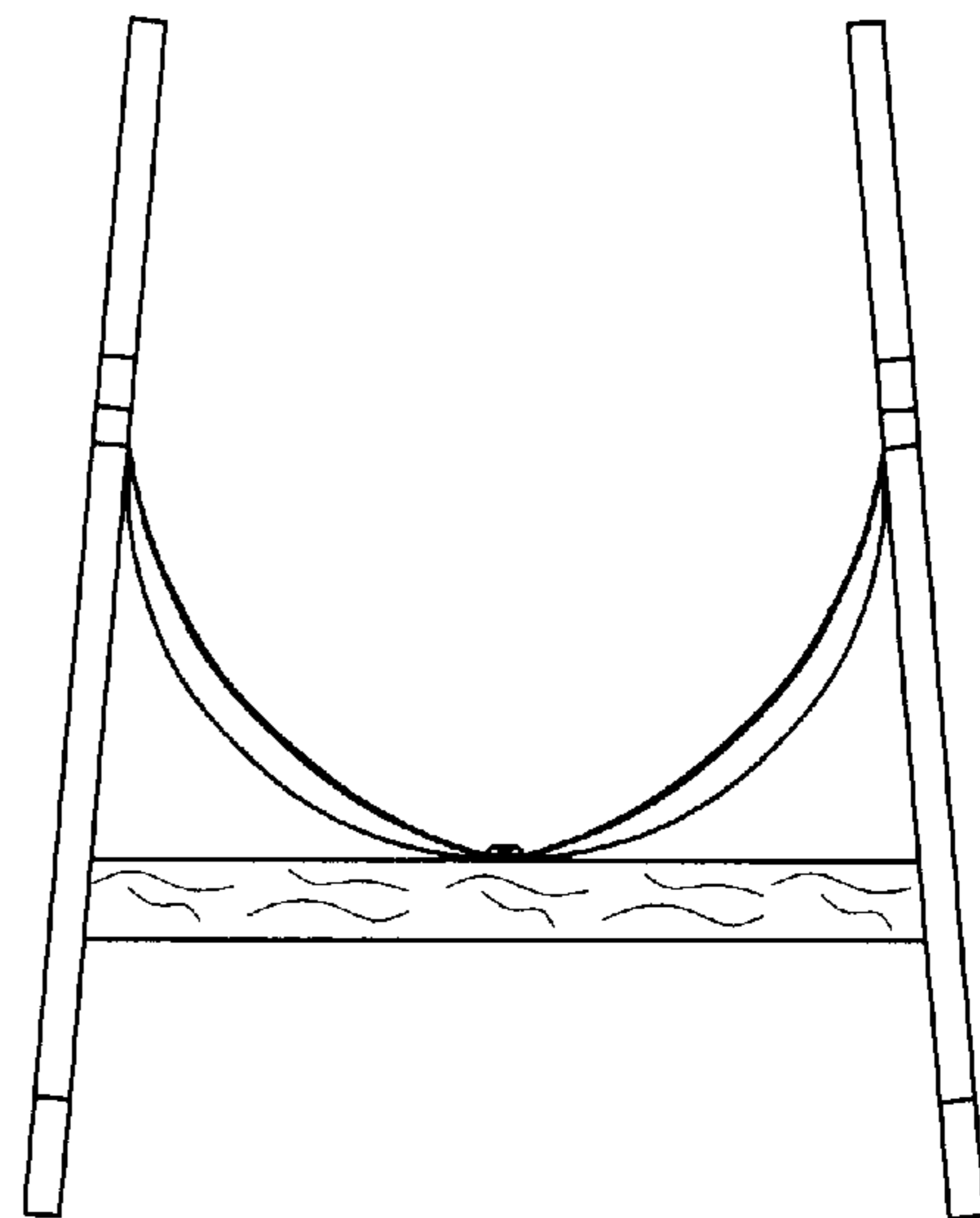


FIG. 4

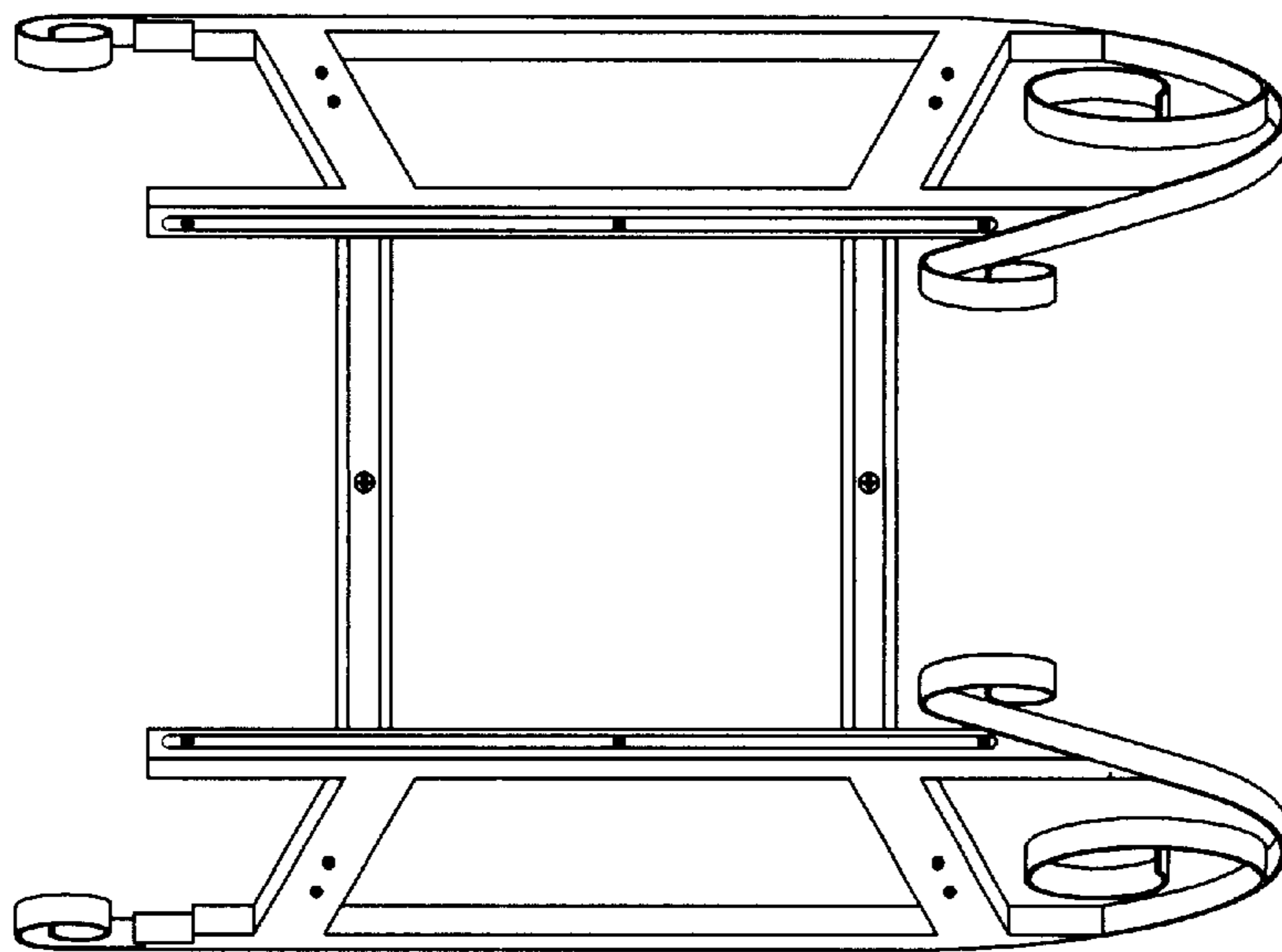


FIG. 5