



US00D521635S

(12) **United States Design Patent**  
**DePierro**

(10) **Patent No.:** **US D521,635 S**

(45) **Date of Patent:** **\*\* May 23, 2006**

(54) **DECORATIVE RADIATOR COVER**

(76) Inventor: **Scott DePierro**, 69 Bishop La.,  
Madison, CT (US) 06443

(\*\*) Term: **14 Years**

(21) Appl. No.: **29/221,085**

(22) Filed: **Jan. 11, 2005**

(51) **LOC (8) Cl.** ..... **23-04**

(52) **U.S. Cl.** ..... **D23/395**

(58) **Field of Classification Search** ..... D23/395,  
D23/393, 388-389, 386, 341, 397, 330; 237/79;  
165/55, 65; 454/307, 224, 271, 273  
See application file for complete search history.

(56) **References Cited**

U.S. PATENT DOCUMENTS

D28,514 S	4/1898	Easterly	.....	D23/386
D53,018 S	2/1919	Kellogg	.....	D23/389
1,488,090 A	3/1924	Buhr	.....	52/288.1
1,633,032 A	6/1927	Nordling	.....	165/57
D84,661 S *	7/1931	Shurtleff	.....	D23/395
1,963,431 A *	6/1934	Adler	.....	237/79
D105,868 S *	8/1937	Hess	.....	D23/395
2,100,767 A *	11/1937	Perkins	.....	D23/395
D141,145 S	5/1945	Magos	.....	D23/389
D141,146 S *	5/1945	Magos	.....	D23/389
2,477,824 A	8/1949	Reiss	.....	165/175
2,487,287 A	11/1949	Weber et al.	.....	165/55
D158,043 S	4/1950	Bevington	.....	D23/389
D161,197 S	12/1950	O'Connor, Jr.	.....	D23/389
D164,421 S	9/1951	Hodgman	.....	D23/389
D168,008 S	10/1952	Woodruff	.....	D23/389
2,639,655 A	5/1953	Whitehead	.....	454/287
D174,415 S *	4/1955	Cotts	.....	D23/389
D177,658 S	5/1956	Bennett	.....	D23/389
D178,052 S	6/1956	Griner	.....	D23/389
2,796,015 A	6/1957	Hayes	.....	454/287
2,876,691 A	3/1959	Woods	.....	454/287
D320,848 S	10/1991	Cutshall et al.	.....	D23/393
D338,061 S	8/1993	Reed et al.	.....	D23/389
D338,264 S	8/1993	Reed et al.	.....	D23/389
D338,716 S	8/1993	Reed et al.	.....	D23/389

D339,415 S *	9/1993	Kiras	.....	D23/397
D382,048 S *	8/1997	Bennett	.....	D23/389
D394,695 S	5/1998	Blais	.....	D23/389
D400,669 S	11/1998	Hannigan	.....	D23/389
D402,748 S	12/1998	Cuomo	.....	D23/389
D407,480 S *	3/1999	Leiter et al.	.....	D23/388
5,884,690 A	3/1999	Zussman et al.	.....	165/55
D423,661 S *	4/2000	Pelonis	.....	D23/395
6,052,959 A	4/2000	LaBrosse	.....	52/302.6
D469,172 S	1/2003	Warren et al.	.....	D23/341
6,550,688 B1	4/2003	Uglietto	.....	237/79

\* cited by examiner

*Primary Examiner*—Catherine R. Oliver

(74) *Attorney, Agent, or Firm*—Carter, DeLuca, Farrell & Schmidt, LLP

(57) **CLAIM**

The ornamental design for a decorative radiator cover, as shown and described.

**DESCRIPTION**

FIG. 1 is a front view of the decorative radiator cover in accordance with the present invention;

FIG. 2 is a rear view of the decorative radiator cover of FIG. 1;

FIG. 3 is a top view of the decorative radiator cover of FIG. 1;

FIG. 4 is a bottom view of the decorative radiator cover of FIG. 1;

FIG. 5 is a perspective view of the decorative radiator cover of FIG. 1;

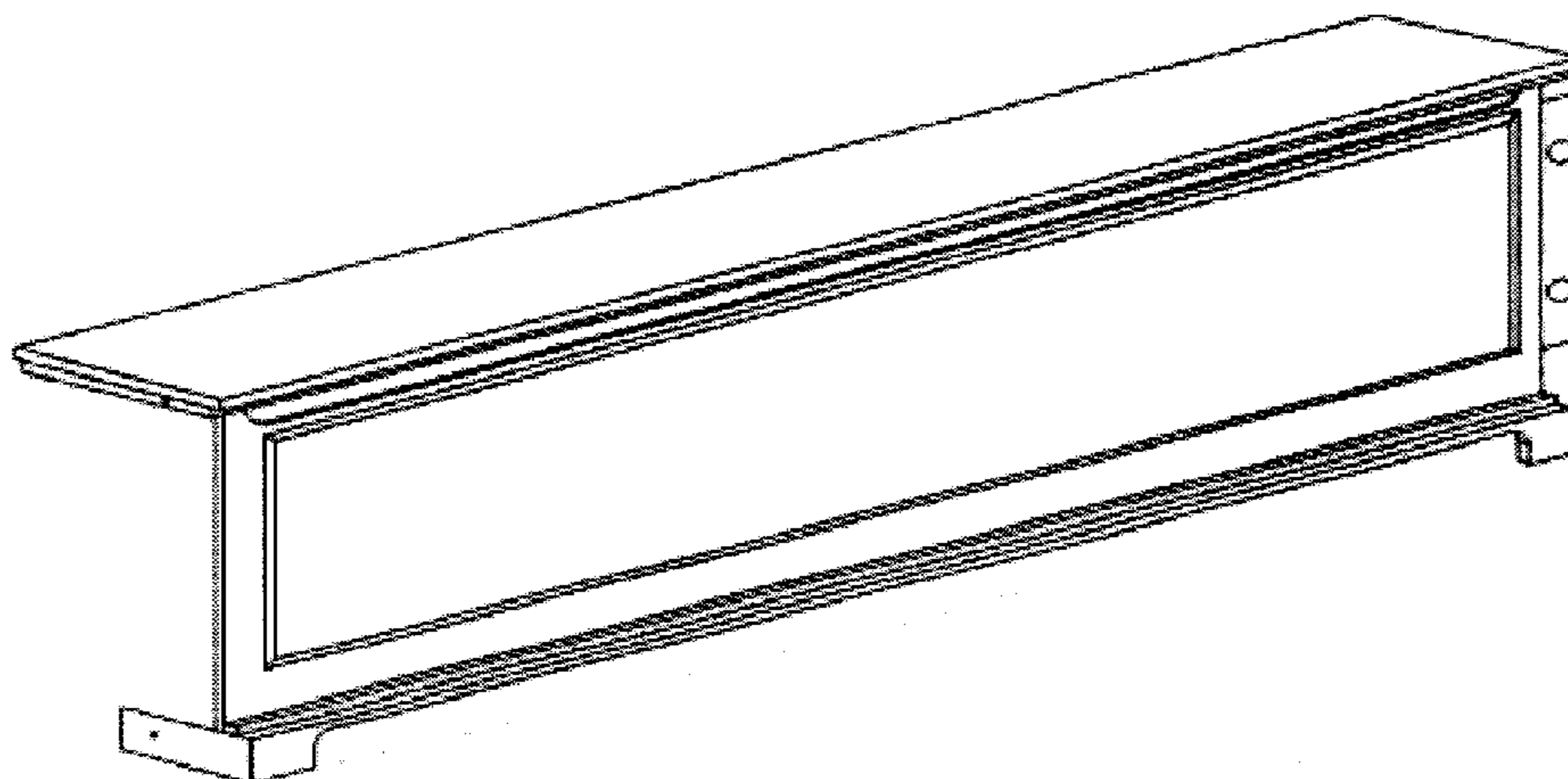
FIG. 6 is a first side view of the decorative radiator cover of FIG. 1;

FIG. 7 is the other side view of the decorative radiator cover of FIG. 1;

FIG. 8 is a front view of the decorative radiator cover of FIG. 1 having a spacer and an end piece shown in phantom; and,

FIG. 9 is a perspective view of the decorative radiator cover of FIG. 8.

The broken line showing of environment in the drawings is for illustrative purposes only and forms no part of the claimed design.



**1 Claim, 3 Drawing Sheets**

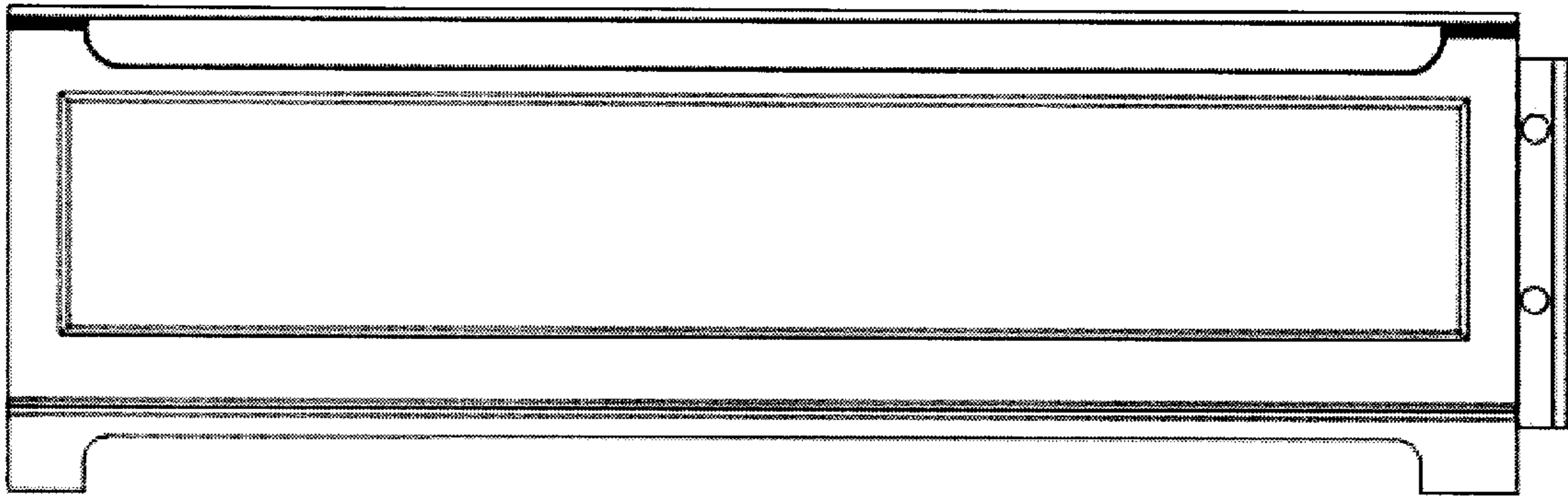


FIG. 1

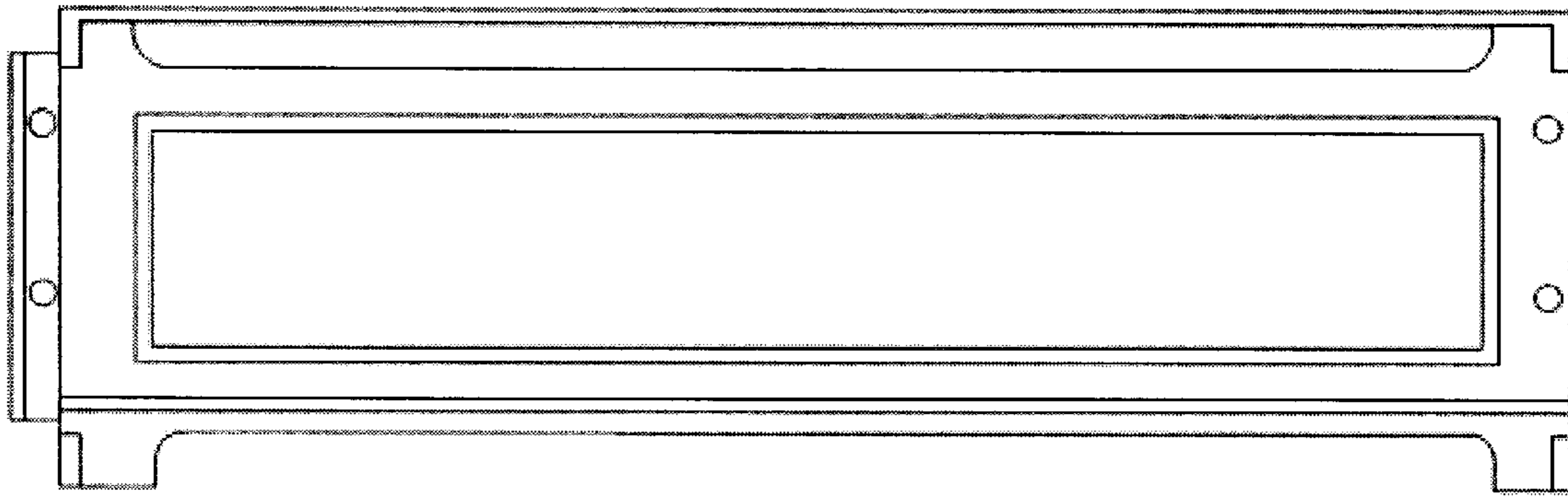


FIG. 2



FIG. 3



FIG. 4

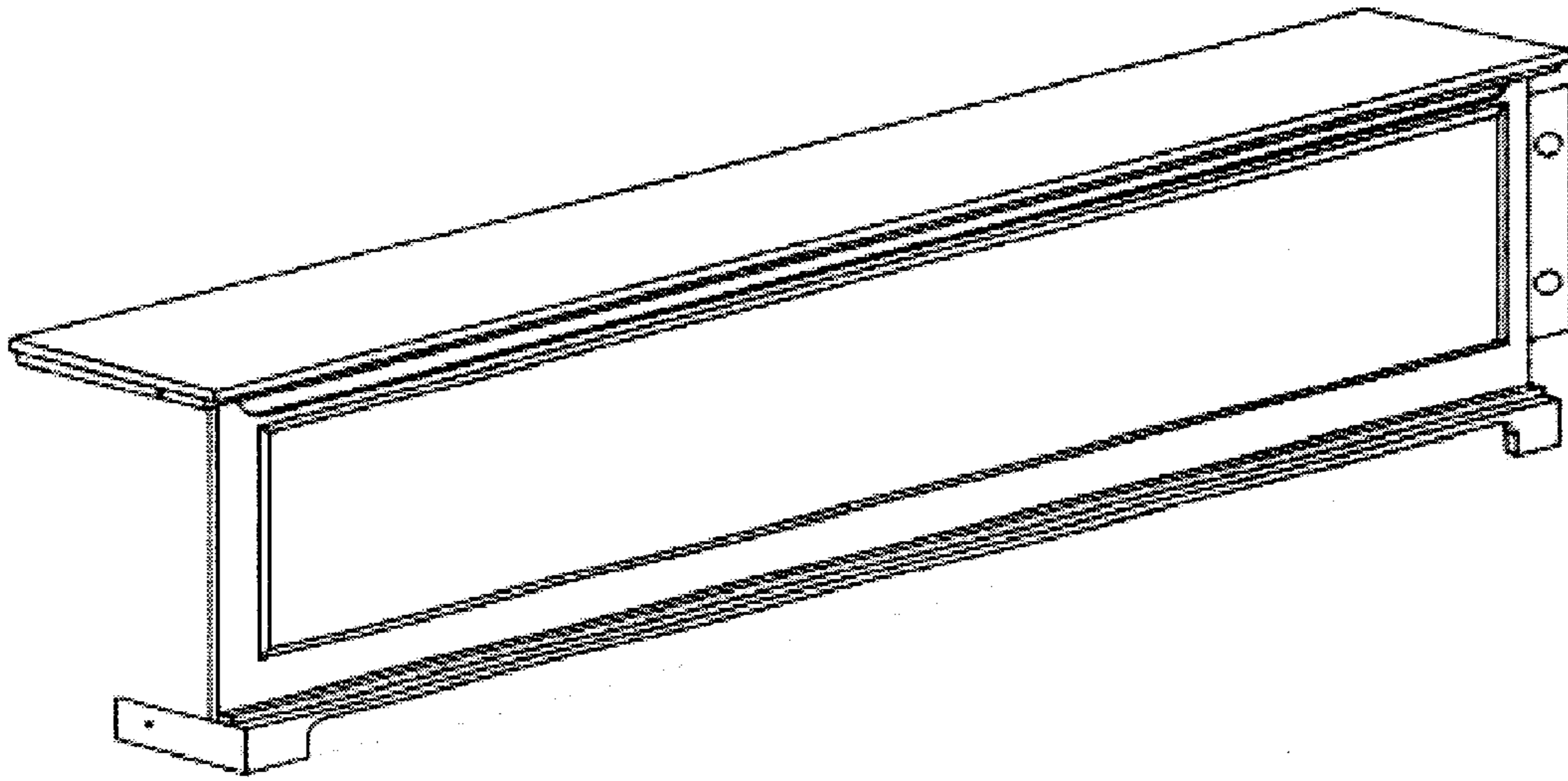


FIG. 5

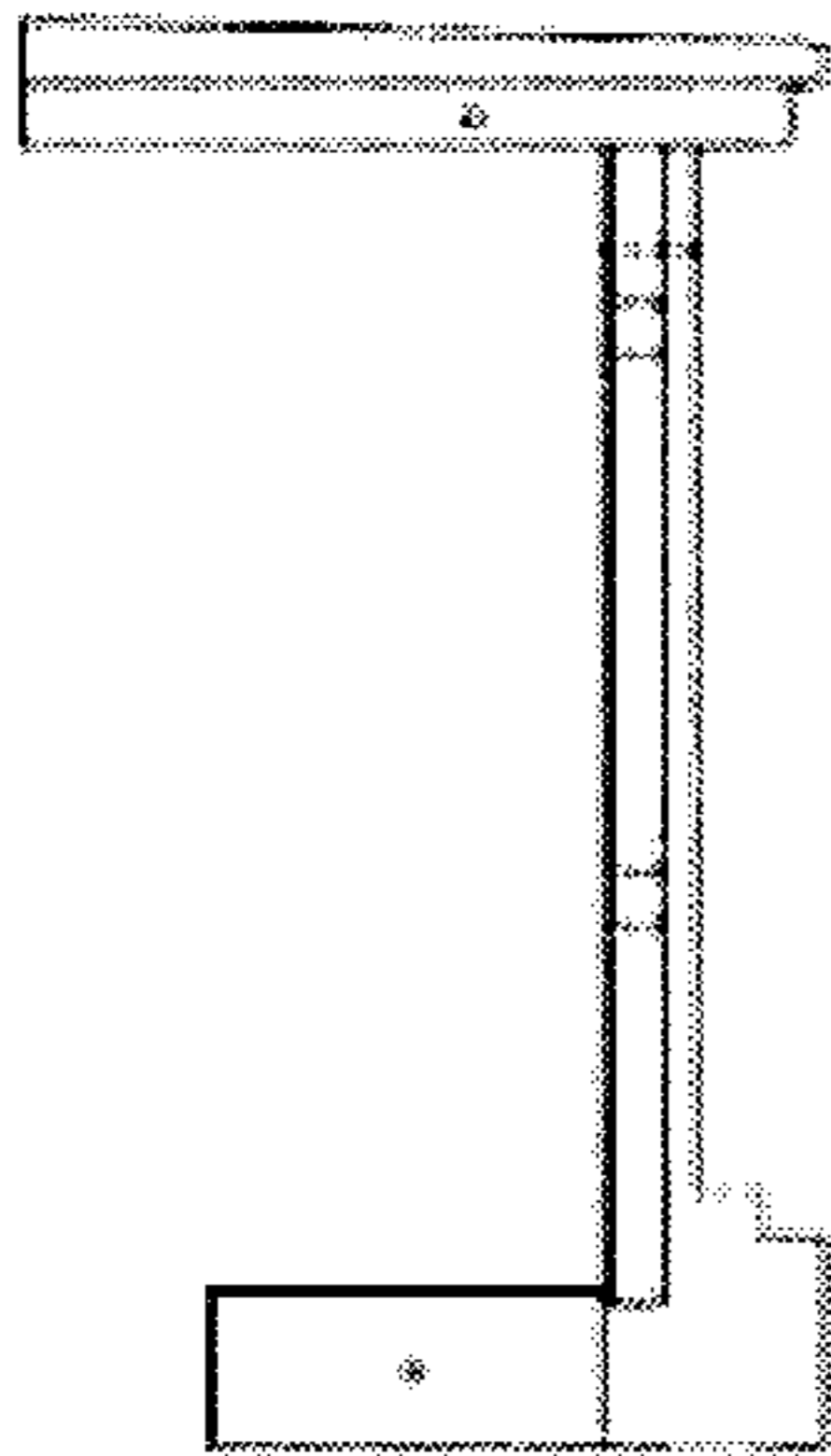


FIG. 6

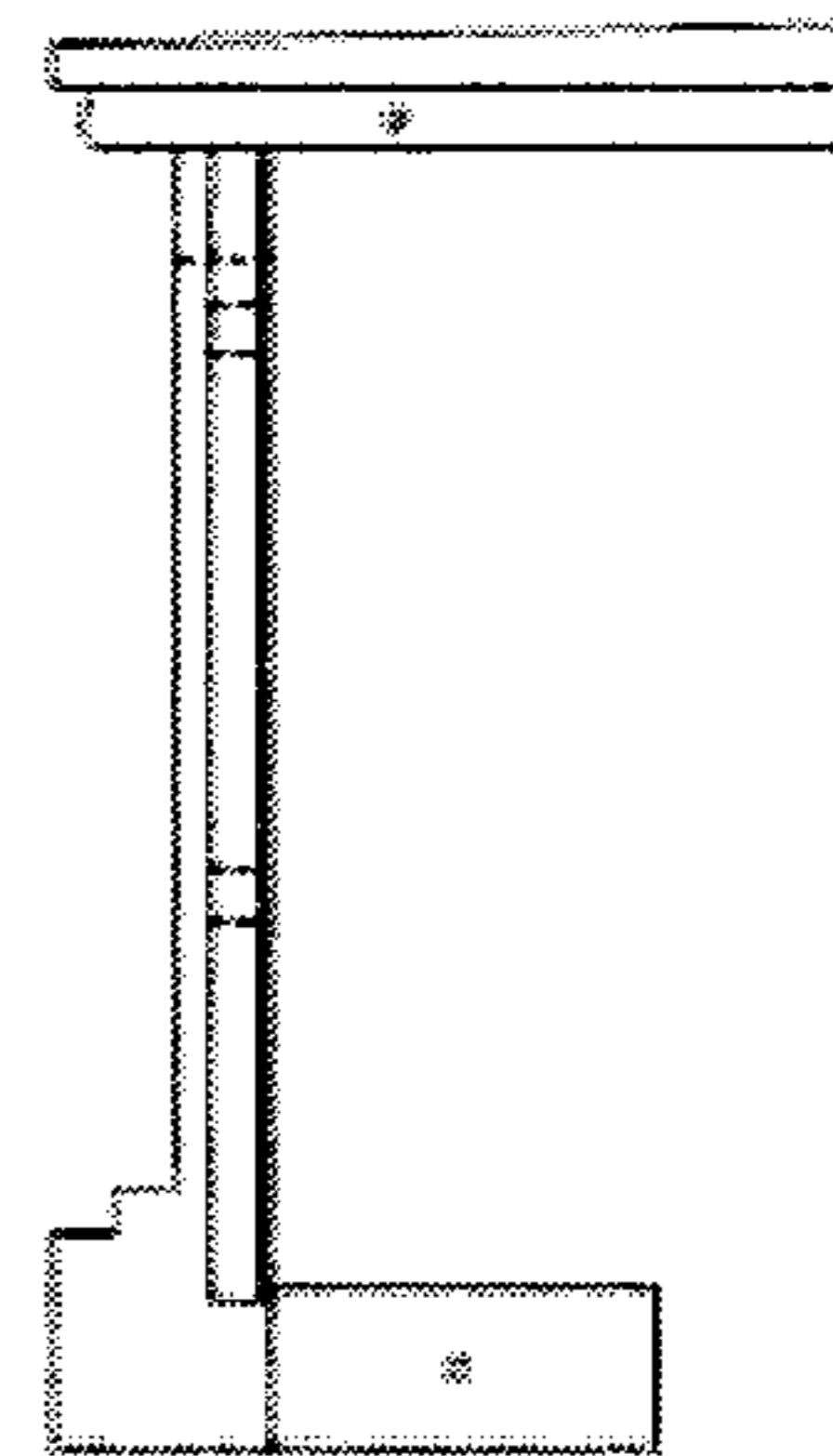


FIG. 7

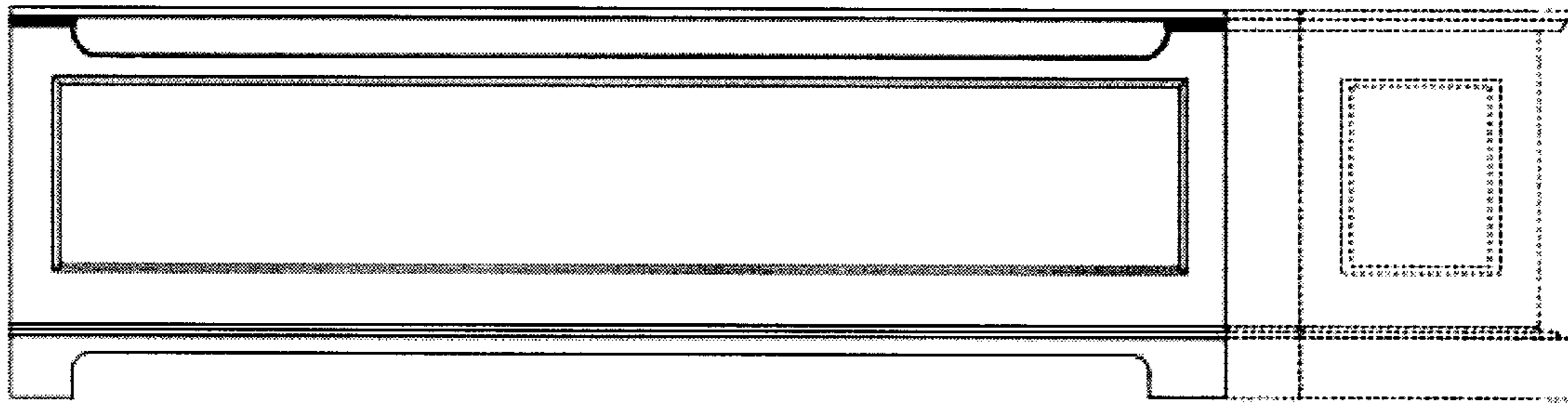


FIG. 8

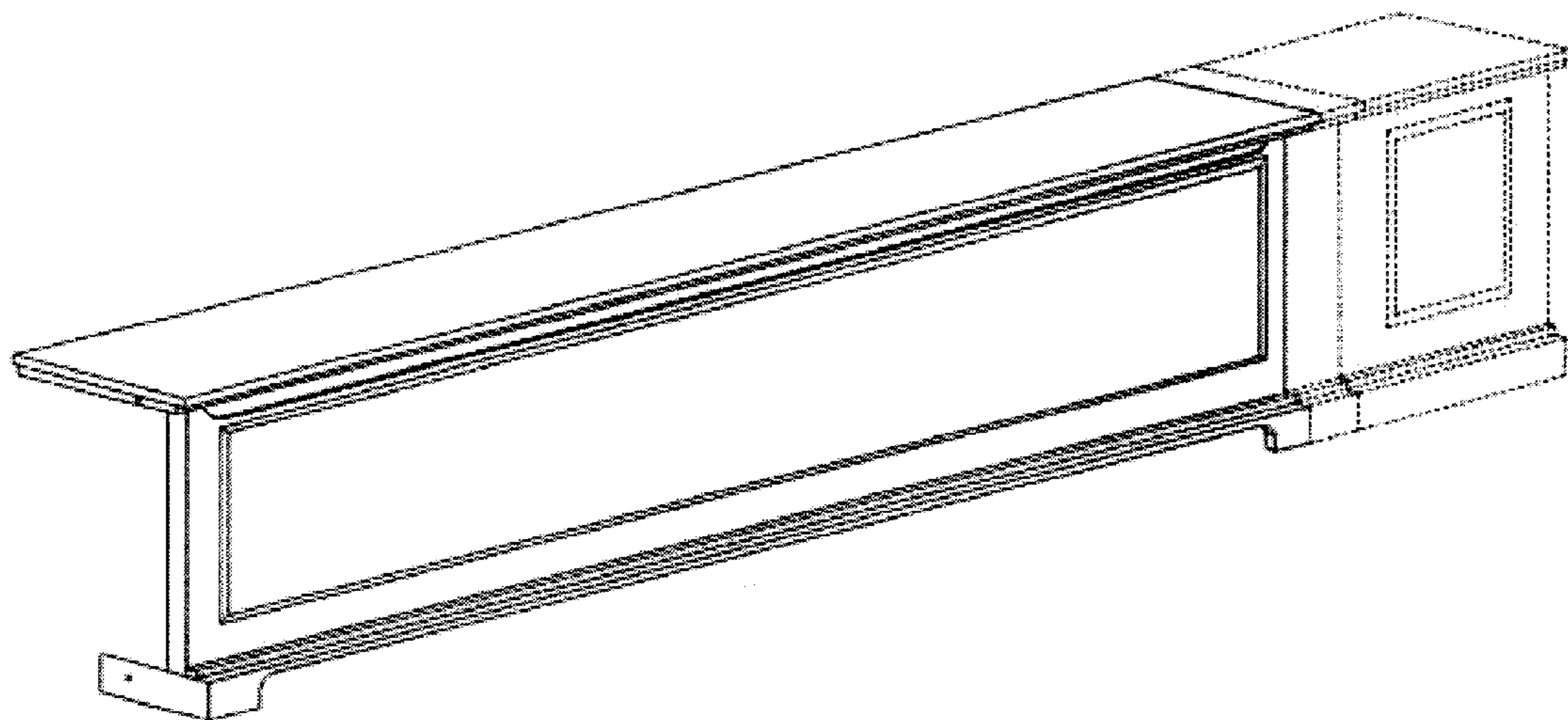


FIG. 9