

US00D521633S

(12) **United States Design Patent**
Stout, Jr.

(10) **Patent No.:** **US D521,633 S**

(45) **Date of Patent:** **** May 23, 2006**

(54) **DUCT TAP WITH A CRIMPED END**

(75) Inventor: **William K. Stout, Jr.**, Mason, OH
(US)

(73) Assignee: **Eastern Sheet Metal LLC**, Cincinnati,
OH (US)

(**) Term: **14 Years**

(21) Appl. No.: **29/138,839**

(22) Filed: **Mar. 20, 2001**

(51) **LOC (8) Cl.** **23-04**

(52) **U.S. Cl.** **D23/393**

(58) **Field of Classification Search** D23/259,
D23/262, 263, 266, 386, 387, 391, 393, 394;
138/111-117, DIG. 4, DIG. 11, 177; 285/47,
285/123.15, 123.16, 110, 374, 347, 232-234,
285/123.1, 123.3-123.7, 123.9, 122.1, 125.1,
285/129.1, 129.2, 131.1, 132.1, 133.11, 133.3,
285/133.6, 136.1, 139.1, 139.2, 139.3, 141.1,
285/142.1, 143.1, 148.22, 148.23, 148.24,
285/148.25, 189, 197-200, 332, 332.1, 334.1,
285/334.5, 405, 424; 454/228-236, 243,
454/270, 903, 906; 126/307 R, 312, 307 A,
126/314-317

See application file for complete search history.

(56) **References Cited**

U.S. PATENT DOCUMENTS

D25,709 S	6/1896	Pratt	
1,565,918 A	12/1925	Fitzgerald	
1,570,974 A	1/1926	Stevens	
1,933,711 A *	11/1933	Cornell, Jr.	285/189
1,941,465 A *	1/1934	Cornell, Jr.	285/133.11

(Continued)

FOREIGN PATENT DOCUMENTS

DE	2840962	4/1979
DK	150025 B	11/1986

(Continued)

OTHER PUBLICATIONS

Hallstroms Verkstader 2 page advertisement and an English translation of portions thereof. Mar. 21, 2000.

Ducts and Fittings Product Brochure, Lindab Ltd., Northampton, Great Britain (undated), front and back covers and pp. 3-52.

“Sistema Di Tenuta Ring”, Issued by Climovent System, an Italian Company; pp. 1-6 (Undated).

“Veloduct” catalog 1997, ABB Ventilation Products AB, Division Veloduct.

(Continued)

Primary Examiner—Catherine Tuttle

(74) *Attorney, Agent, or Firm*—Dinsmore & Shohl LLP

(57) **CLAIM**

The ornamental design for a duct tap with a crimped end, as shown and described.

DESCRIPTION

FIG. 1 is a front view of a first embodiment of the duct tap with a crimped end;

FIG. 2 is a right side view of the duct tap of FIG. 1; the left side view being a mirror image of FIG. 2;

FIG. 3 is a top view of the duct tap of FIG. 1;

FIG. 4 is a front right perspective view of the first embodiment of the duct tap; the front left perspective view being a mirror image of FIG. 4;

FIG. 5 is a front view of a second embodiment of the duct tap with a crimped end;

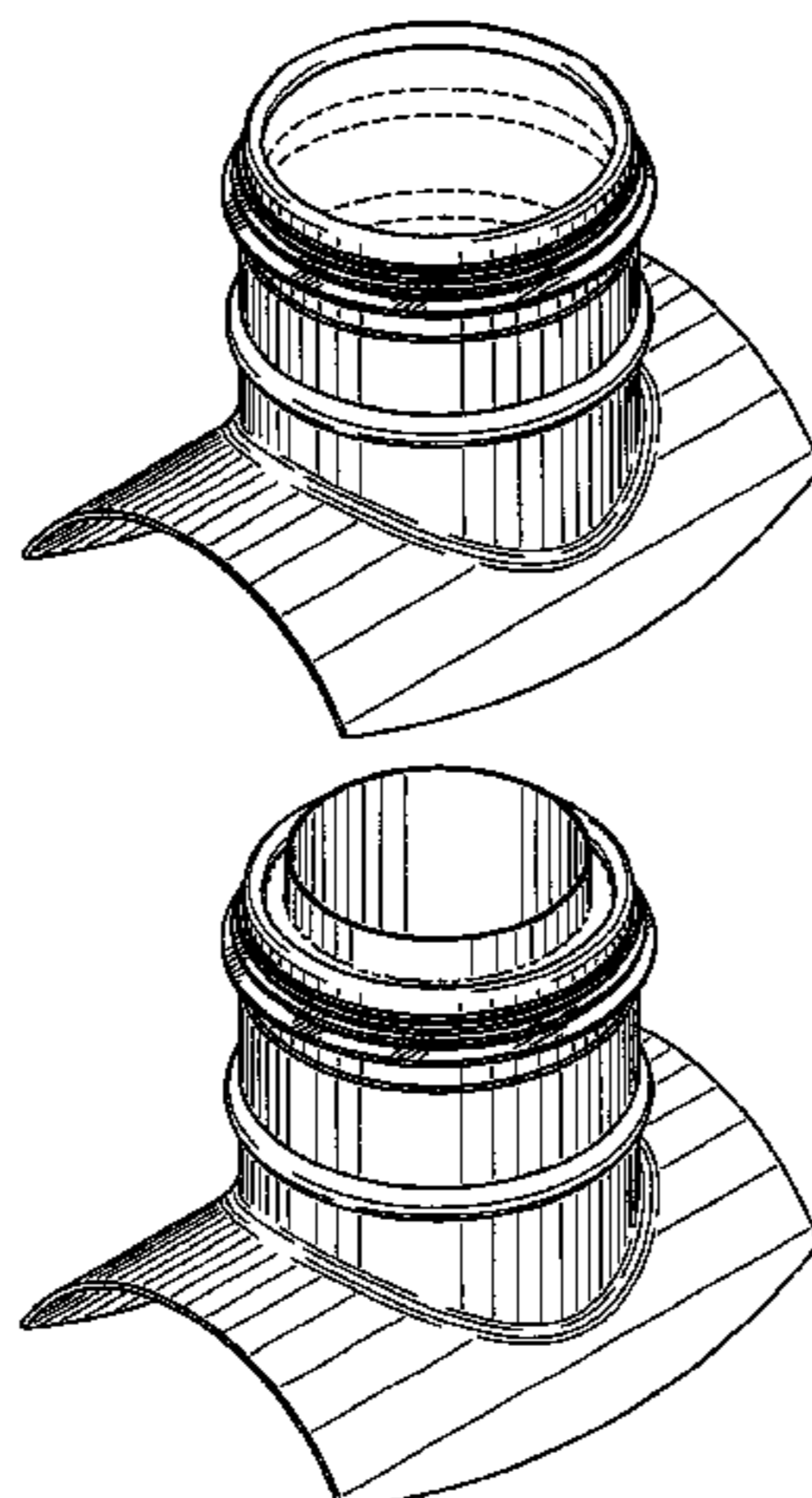
FIG. 6 is a right side view of the duct tap of FIG. 5; the left side view being a mirror image of FIG. 6;

FIG. 7 is a top view of the duct tap of FIG. 5; and,

FIG. 8 is a front right perspective view of the second embodiment of the duct tap; the front left perspective view being a mirror image of FIG. 8.

The broken lines shown in the figures are for illustrative purposes only and form no part of the claimed design.

1 Claim, 4 Drawing Sheets



US D521,633 S

Page 2

U.S. PATENT DOCUMENTS

2,314,386	A	3/1943	Brend	
2,544,108	A	3/1951	Richardson	
2,616,728	A	* 11/1952	Pitt	285/47
2,930,635	A	3/1960	Woodling	
3,015,510	A	1/1962	Bates	
D234,847	S	4/1975	Hoffman	
3,955,834	A	5/1976	Ahlrot	
4,007,941	A	2/1977	Stancati	
4,050,703	A	9/1977	Turesson et al.	
4,193,246	A	3/1980	Schiefer et al.	
4,216,981	A	8/1980	Jensen	
4,369,159	A	1/1983	Irmer	
D273,702	S	5/1984	Widerby et al.	
4,664,421	A	5/1987	Jones	
5,390,961	A	* 2/1995	Guthrie	285/41
5,405,174	A	4/1995	Sondén et al.	
5,407,122	A	4/1995	Stefansson et al.	
D360,018	S	7/1995	Sondén et al.	
D360,019	S	7/1995	Sondén et al.	
D360,020	S	7/1995	Sondén et al.	
D360,021	S	7/1995	Sondén et al.	
D361,829	S	8/1995	Sondén et al.	
D362,299	S	9/1995	Sondén et al.	
D362,300	S	9/1995	Sondén et al.	
5,452,922	A	* 9/1995	Ziu	285/123.1
D363,115	S	10/1995	Lennartsson	
5,473,815	A	12/1995	Sonden et al.	
D367,316	S	2/1996	Sondén et al.	
D368,304	S	3/1996	Morrison	
5,531,460	A	7/1996	Stefansson et al.	
D377,829	S	2/1997	Andresen	
5,599,600	A	2/1997	Rau	
5,649,662	A	7/1997	Krichau et al.	
D383,053	S	9/1997	Schrader et al.	
D383,195	S	9/1997	Sondén et al.	
D383,196	S	9/1997	Sondén et al.	
D386,246	S	11/1997	Sondén et al.	
D402,354	S	12/1998	Strong et al.	
D407,802	S	4/1999	Hatfield et al.	
D427,667	S	7/2000	Stout, Jr.	
D427,668	S	7/2000	Stout, Jr.	
D427,673	S	7/2000	Stout, Jr.	
D430,482	S	9/2000	Stout, Jr.	
D435,090	S	12/2000	Stout, Jr.	
D437,034	S	1/2001	Stout, Jr.	
6,170,883	B1	1/2001	Mattsson et al.	
D447,223	S	8/2001	Mattsson et al.	
D454,949	S	3/2002	Mattsson et al.	
D456,071	S	4/2002	Mattsson et al.	
D456,072	S	4/2002	Mattsson et al.	

D461,887	S	8/2002	Mattsson et al.
6,431,609	B1	8/2002	Andersson

FOREIGN PATENT DOCUMENTS

EP	092881	A2	11/1983
EP	0273221	B1	7/1988
EP	0389462	A1	9/1990
EP	0758066	B1	2/1997
FR	2015241		4/1970
GB	1587018		3/1981
IT	1285018		3/1998
NO	174861		4/1994
SE	13987		1/1974
SE	17788		4/1976
SE	19819		4/1977
SE	25473		4/1980
SE	25610		4/1980
SE	26059		7/1980
SE	26995		12/1980
WO	WO 9415133		7/1994

OTHER PUBLICATIONS

U.S. Appl. No. 29/138,761.
 U.S. Appl. No. 29/138,838.
 U.S. Appl. No. 29/138,820.
 U.S. Appl. No. 29/138,847.
 U.S. Appl. No. 29/138,785.
 U.S. Appl. No. 29/138,830.
 U.S. Appl. No. 29/138,819.
 U.S. Appl. No. 29/138,818.
 U.S. Appl. No. 29/138,782.
 U.S. Appl. No. 29/138,790.
 U.S. Appl. No. 29/138,783.
 U.S. Appl. No. 29/138,786.
 U.S. Appl. No. 29/138,771.
 U.S. Appl. No. 29/138,760.
 U.S. Appl. No. 29/138,836.
 U.S. Appl. No. 29/138,764.
 U.S. Appl. No. 29/138,668.
 U.S. Appl. No. 29/138,772.
 U.S. Appl. No. 29/138,784.
 U.S. Appl. No. 29/138,781.
 U.S. Appl. No. 29/138,842.
 U.S. Appl. No. 29/138,837.
 U.S. Appl. No. 29/138,763.
 U.S. Appl. No. 29/138,829.
 U.S. Appl. No. 29/138,762.

* cited by examiner

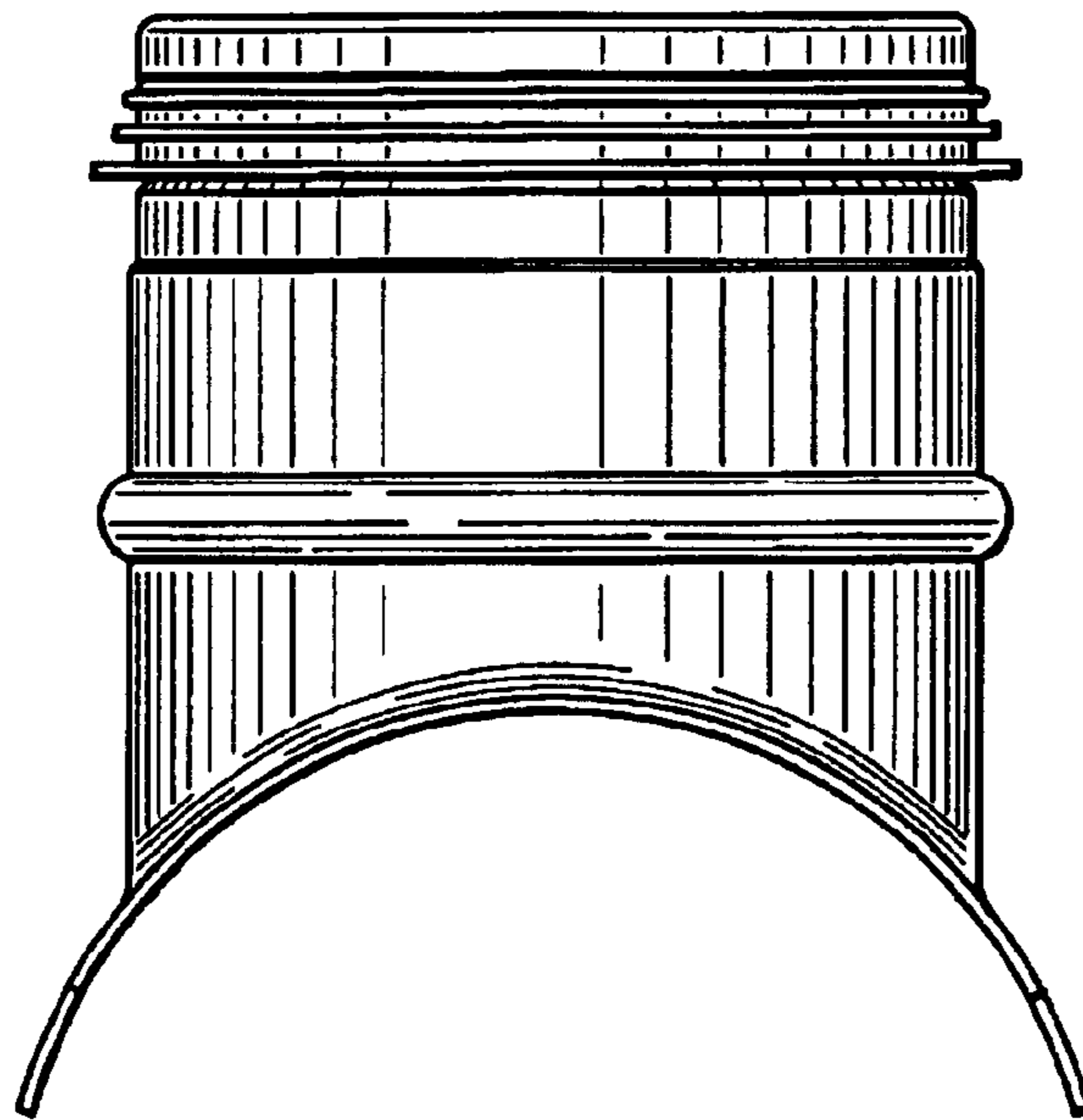


FIG. 1

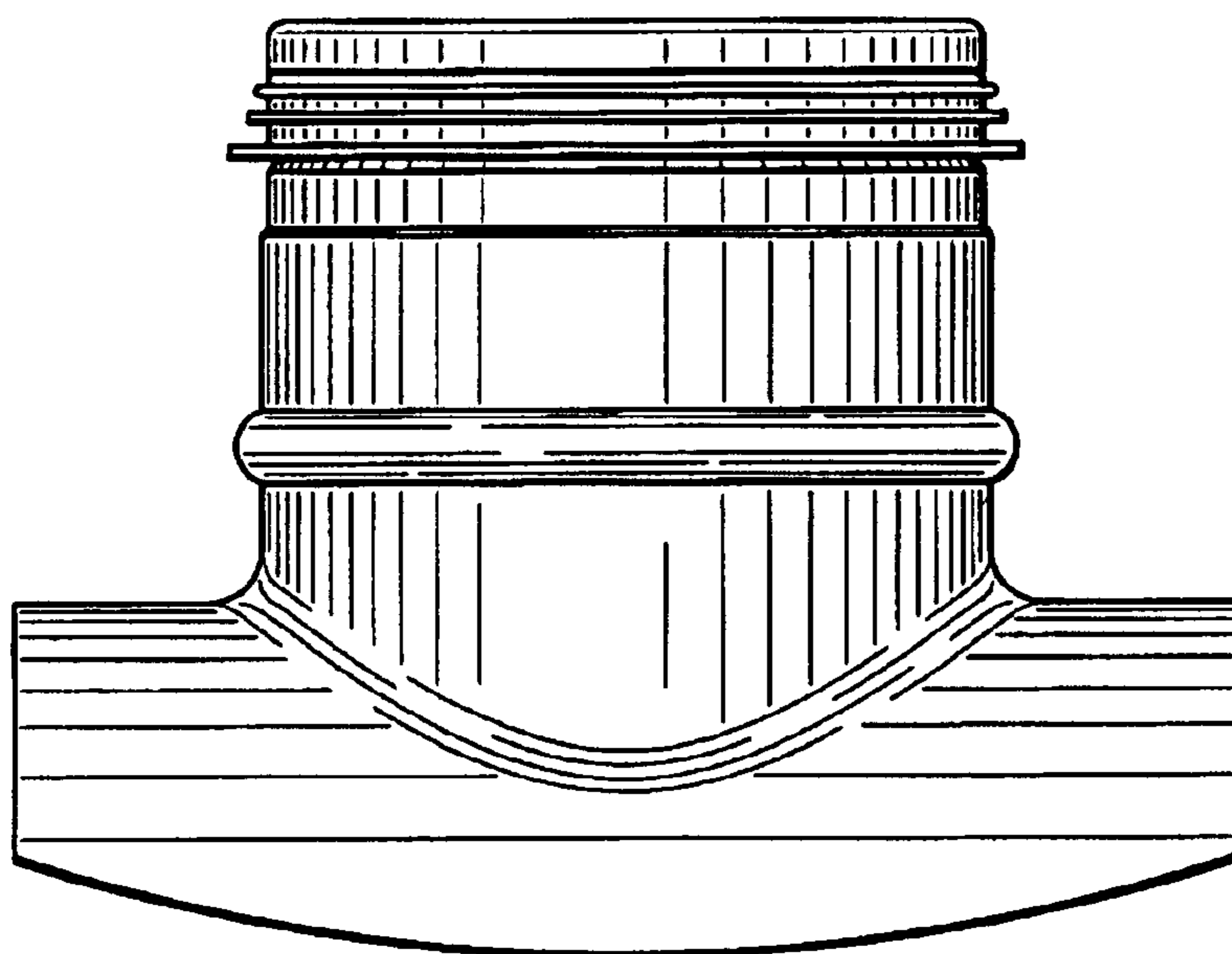


FIG. 2

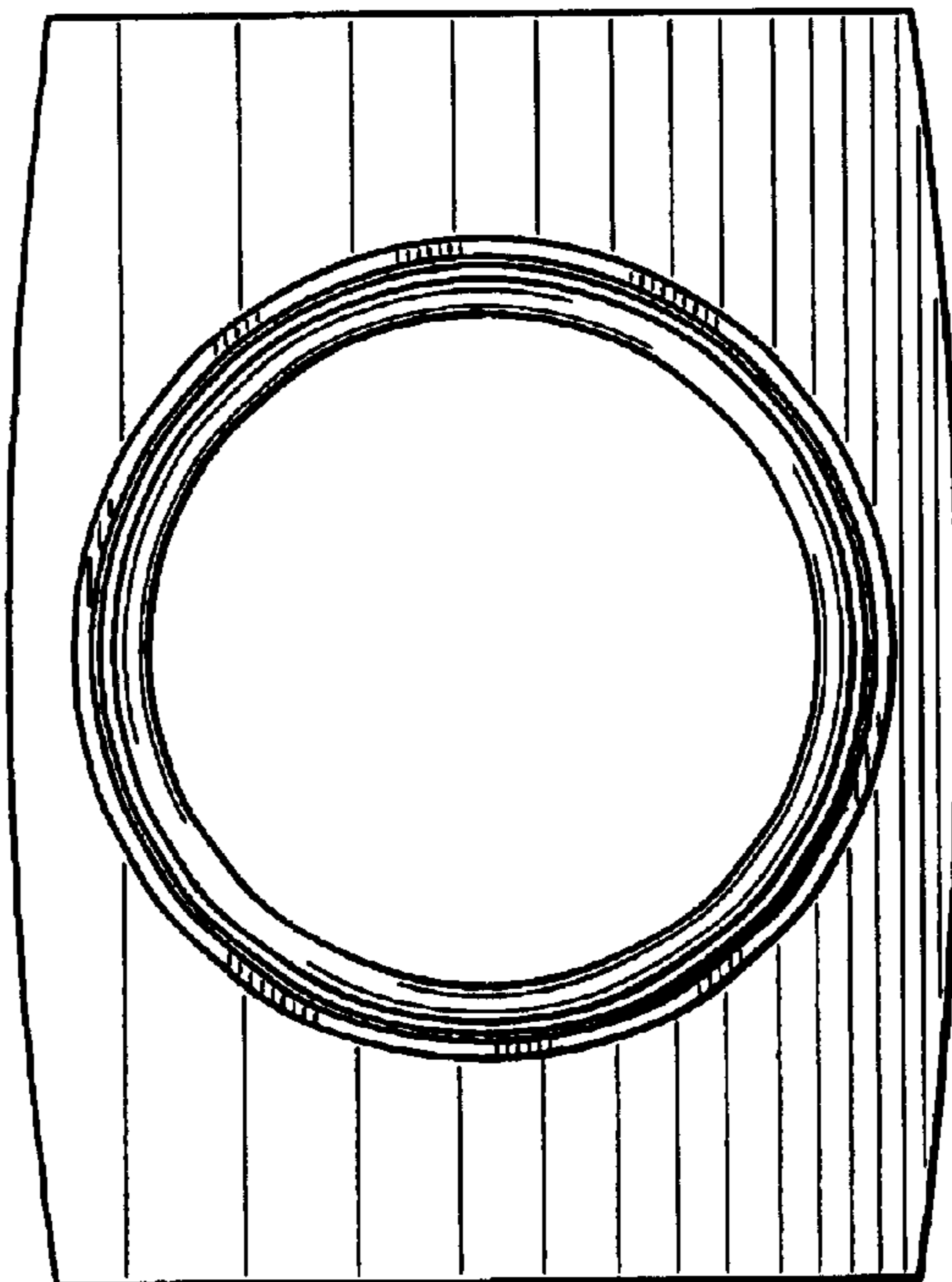


FIG. 3

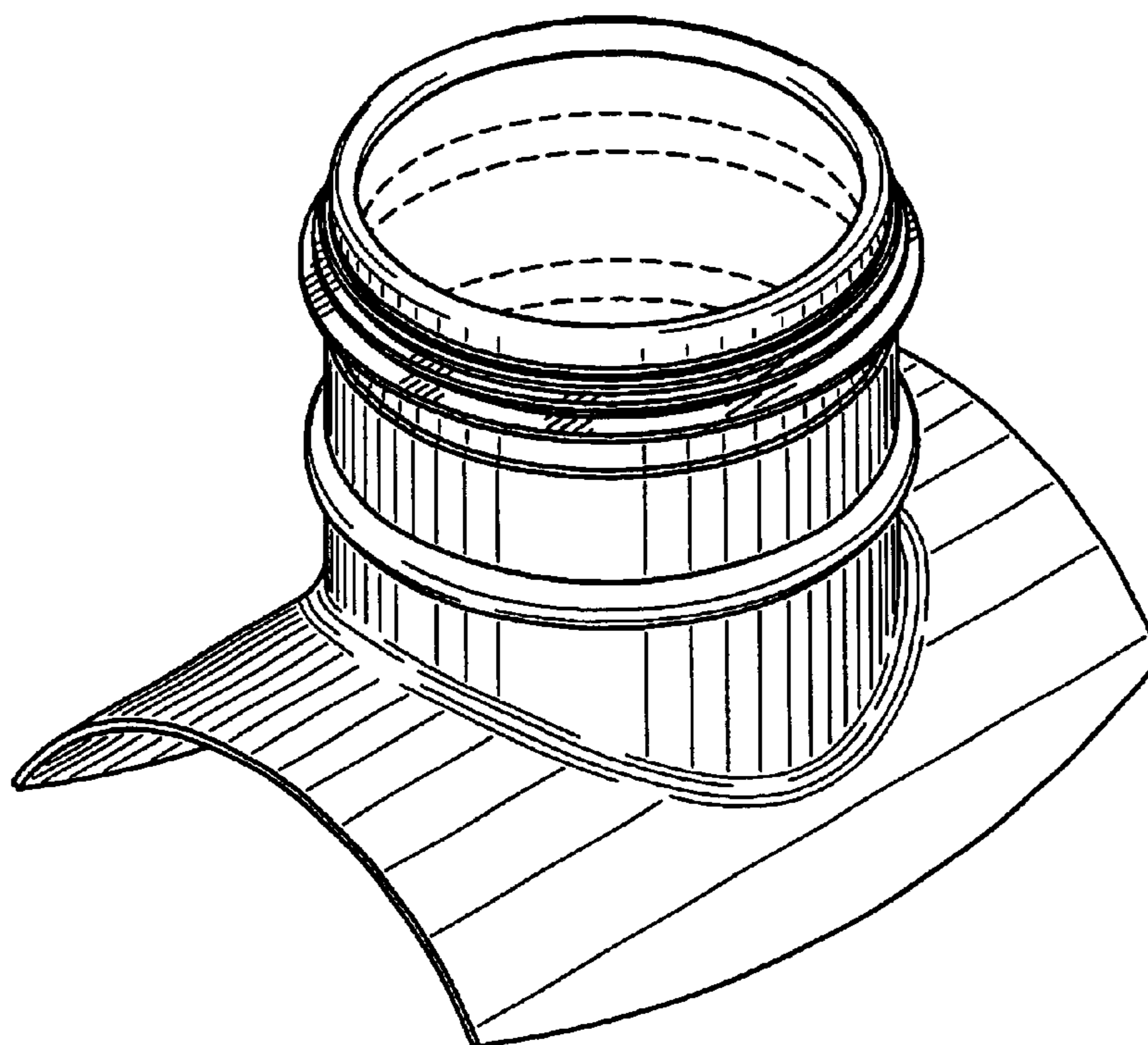


FIG. 4

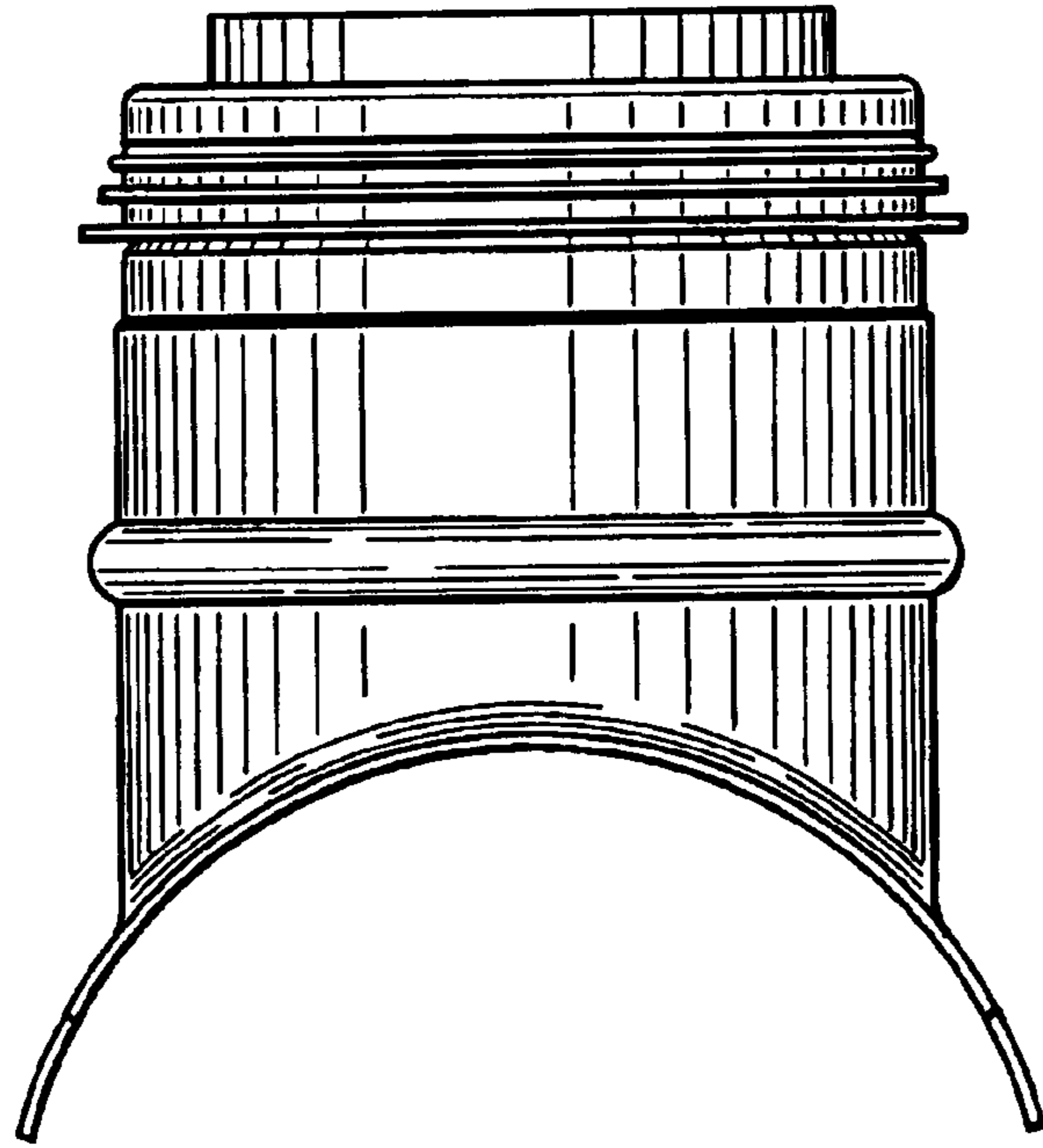


FIG. 5

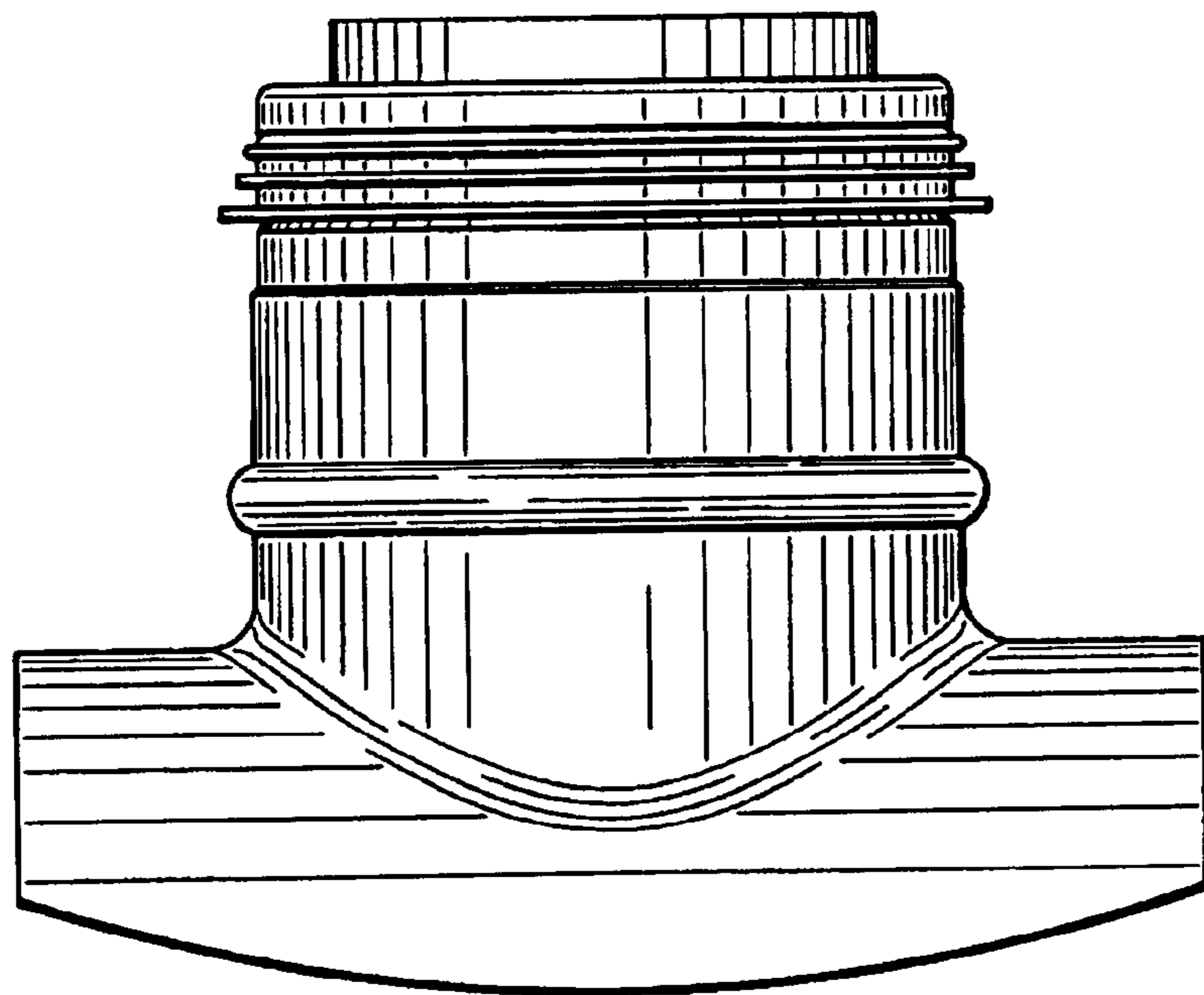


FIG. 6

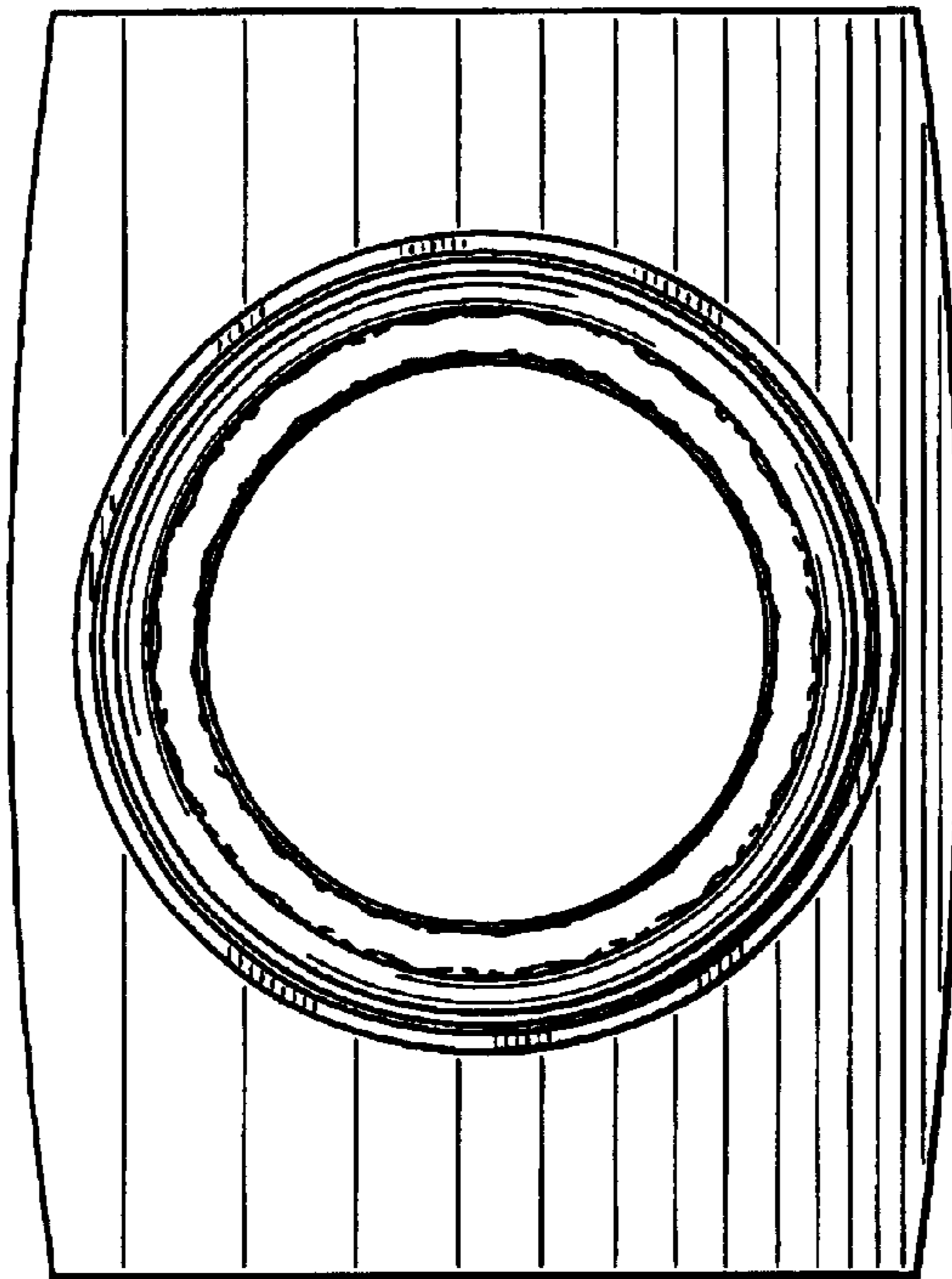


FIG. 7

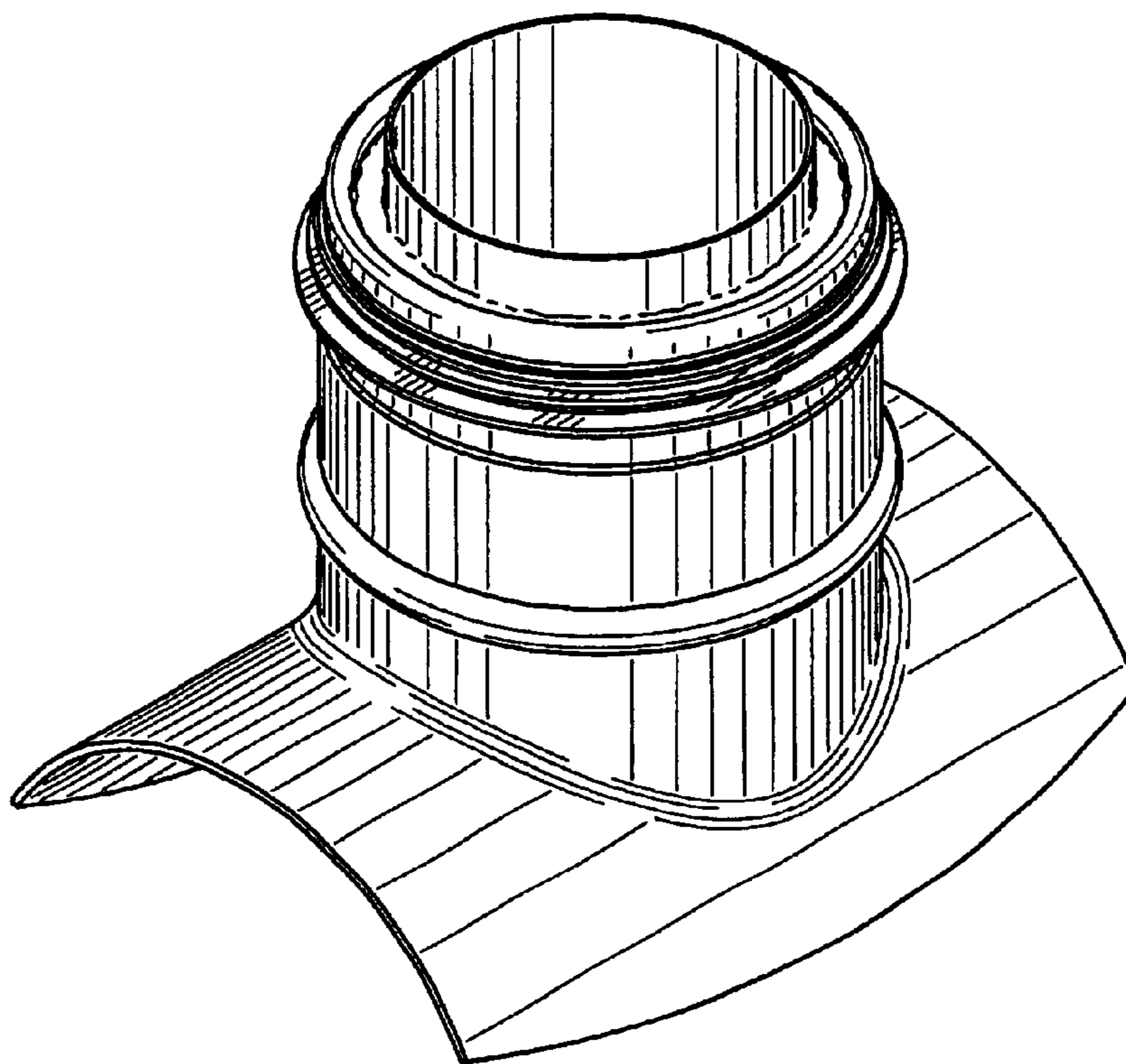


FIG. 8