



US00D521631S

(12) **United States Design Patent**  
**Habensus**

(10) **Patent No.:** **US D521,631 S**

(45) **Date of Patent:** **\*\* May 23, 2006**

(54) **AIR DIFFUSER**

(75) Inventor: **Mladen Habensus**, Tucson, AZ (US)

(73) Assignee: **AirConcepts, Inc.**, Tucson, AZ (US)

(\*\*) Term: **14 Years**

(21) Appl. No.: **29/225,235**

(22) Filed: **Mar. 14, 2005**

(51) **LOC (8) Cl.** ..... **23-99**

(52) **U.S. Cl.** ..... **D23/388**

(58) **Field of Classification Search** ..... D23/388,  
D23/387, 386; 454/34, 296, 294; 52/200  
See application file for complete search history.

(56) **References Cited**

**U.S. PATENT DOCUMENTS**

D171,505 S	*	2/1954	Krueger	.....	D23/388
D325,434 S	*	4/1992	Dosmann	.....	D23/388
D434,488 S	*	11/2000	Smith	.....	D23/388
D434,489 S	*	11/2000	Smith	.....	D23/388
D508,122 S	*	8/2005	Murphy	.....	D23/387

\* cited by examiner

*Primary Examiner*—Catherine R. Oliver

(74) *Attorney, Agent, or Firm*—Hansley Kim & Edgington, LLC; Peter B. Scull

(57) **CLAIM**

The ornamental design for an air diffuser, as shown and described.

**DESCRIPTION**

FIG. 1 is an isometric view of an air diffuser;

FIG. 2 is a first side elevational view of the air diffuser of FIG. 1;

FIG. 3 is a second side elevational view of the air diffuser of FIG. 1;

FIG. 4 is a top plan view of the air diffuser of FIG. 1;

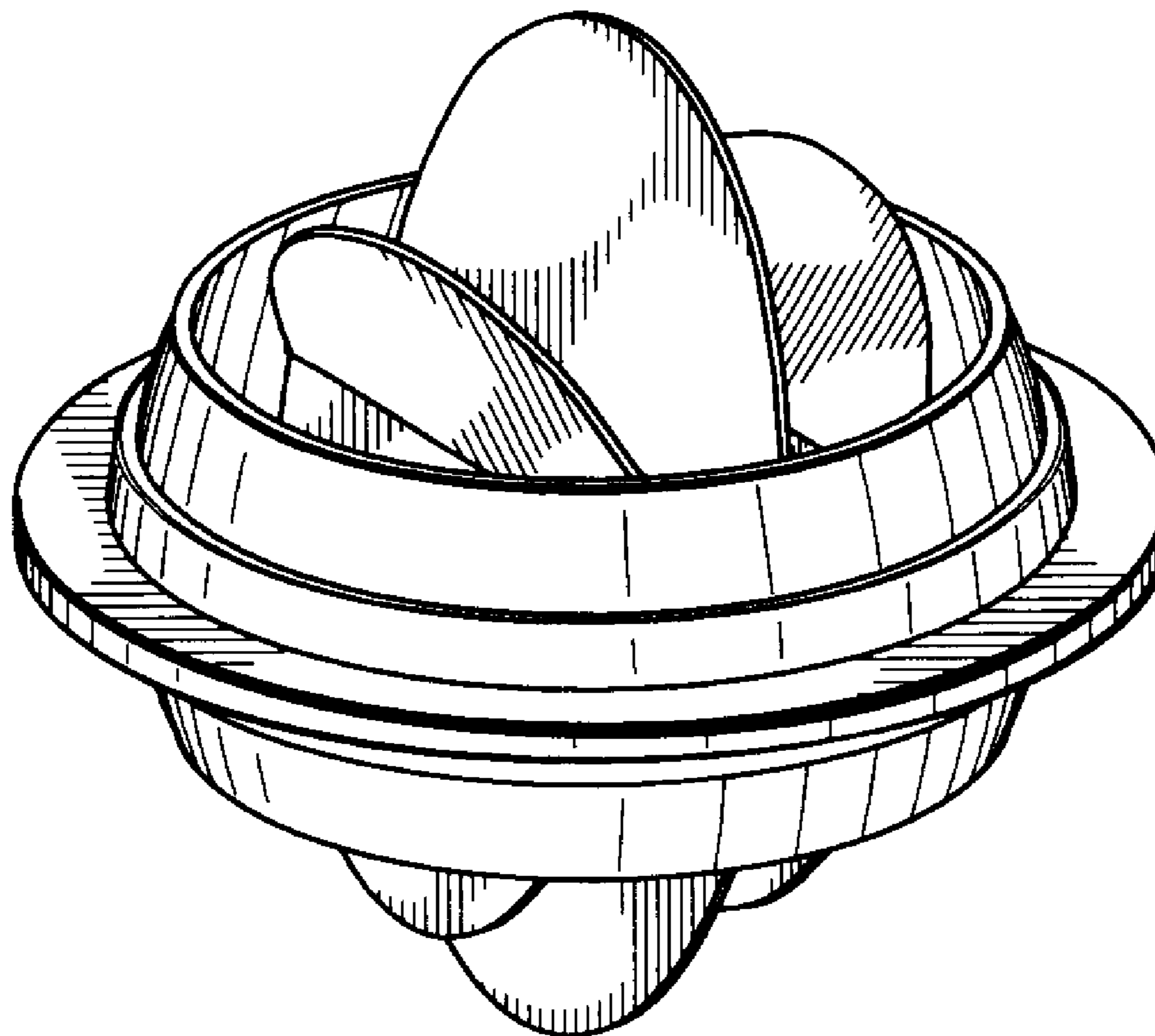
FIG. 5 is a bottom plan view of the air diffuser of FIG. 1;

FIG. 6 is an isometric view of the air diffuser of FIG. 1 with the louvers moved to an alternative airflow position;

FIG. 7 is a first side elevational view of the air diffuser of FIG. 6; and,

FIG. 8 is a second side elevational view of the air diffuser of FIG. 6.

**1 Claim, 2 Drawing Sheets**



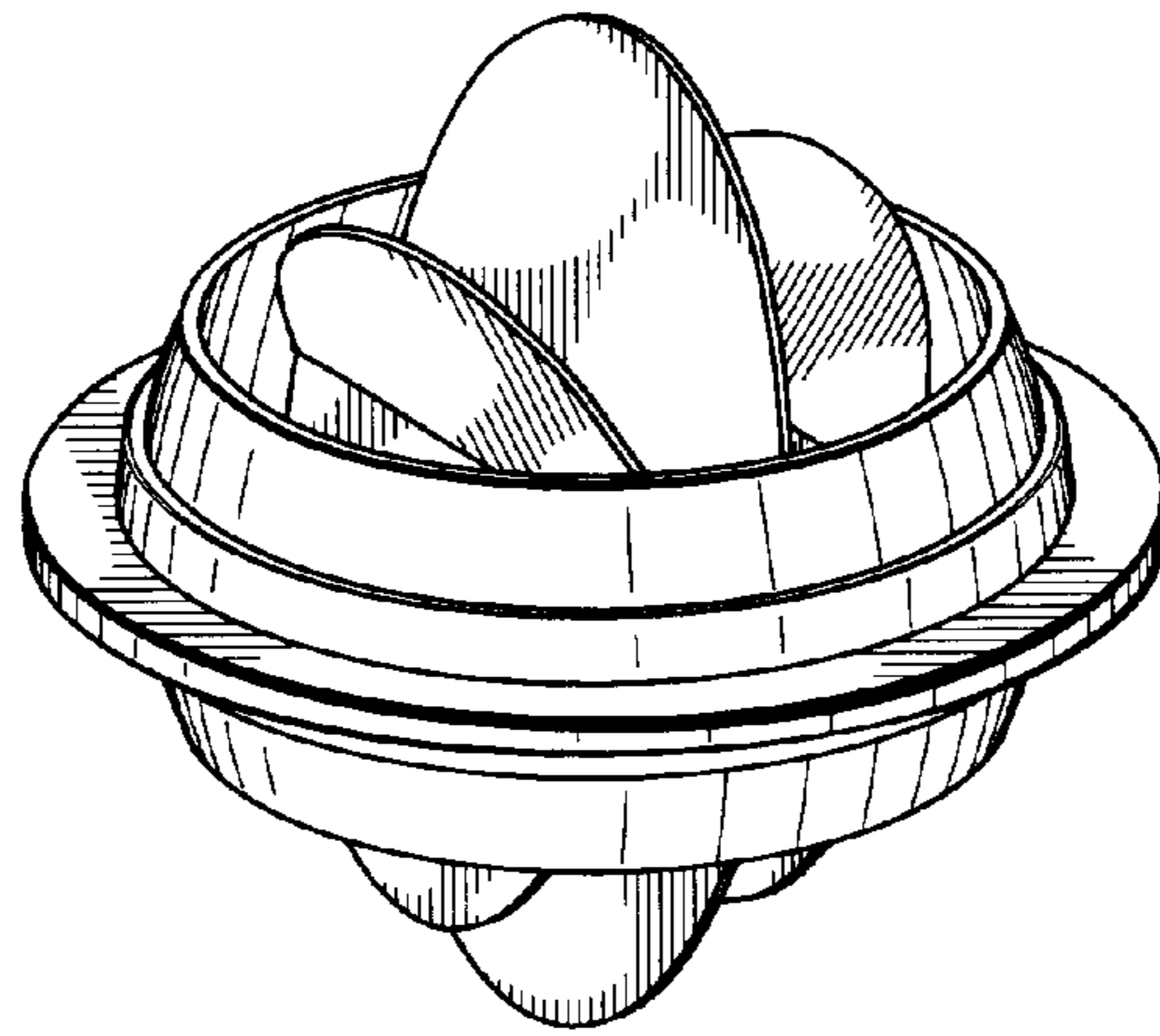


FIG. 1

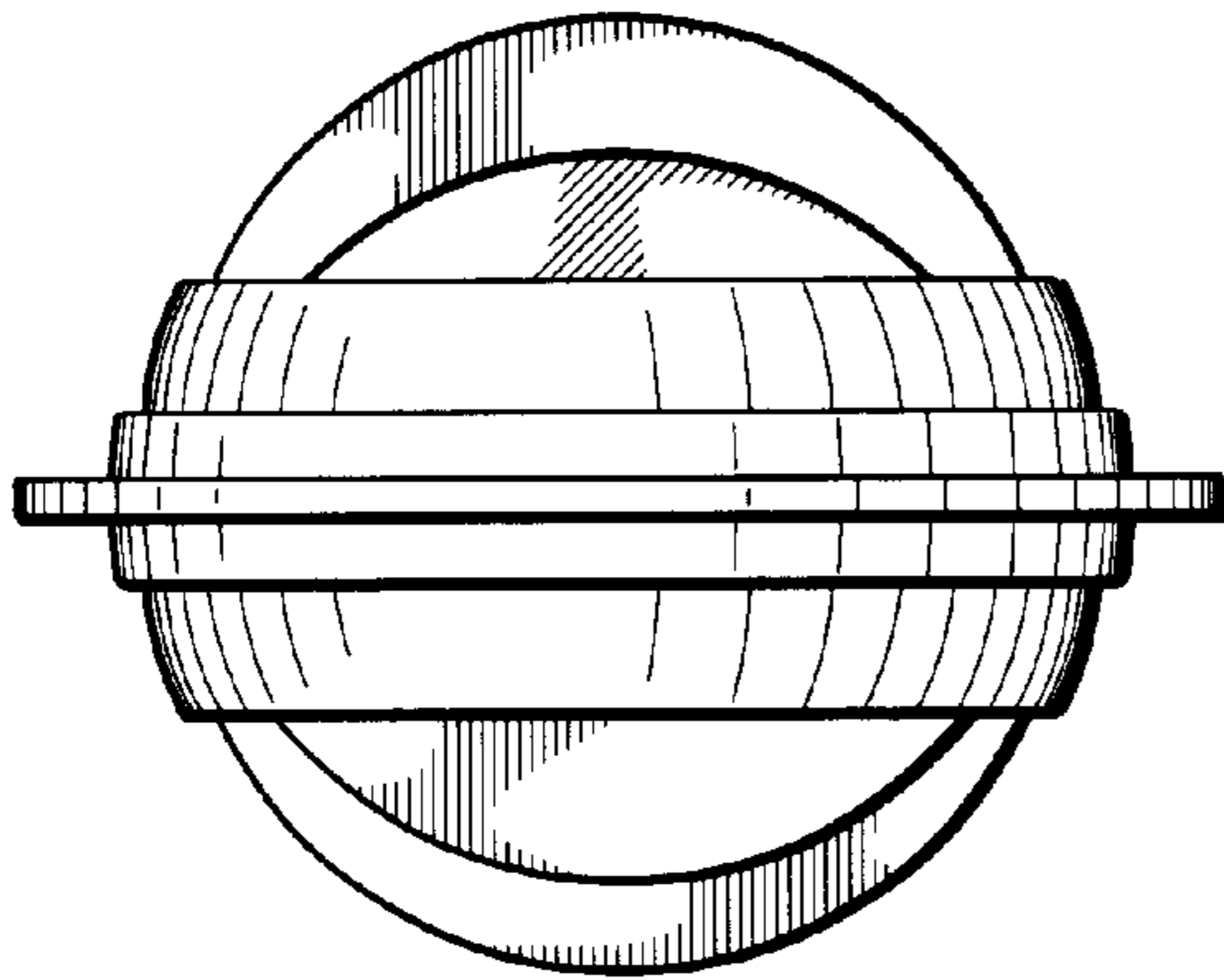


FIG. 2

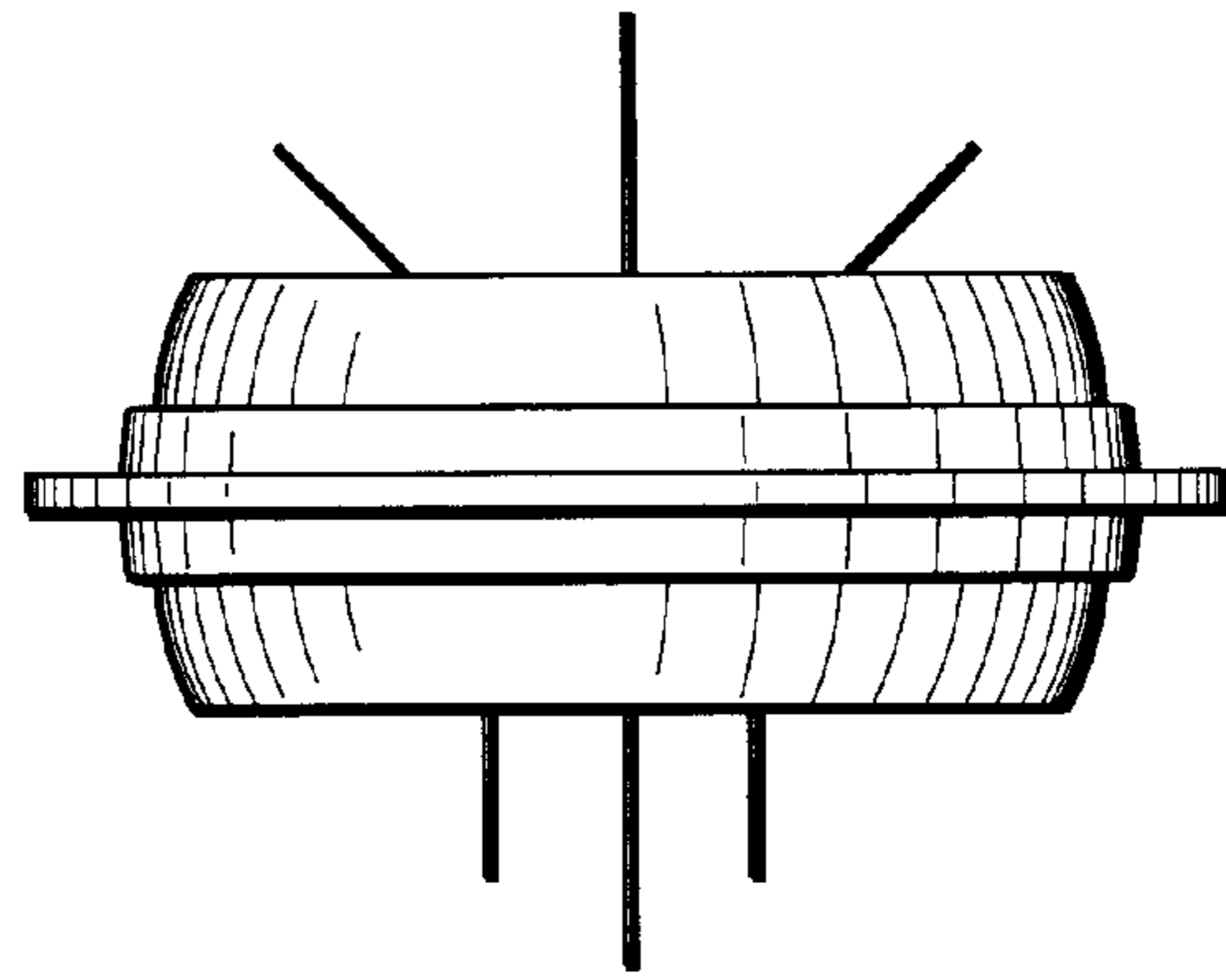


FIG. 3

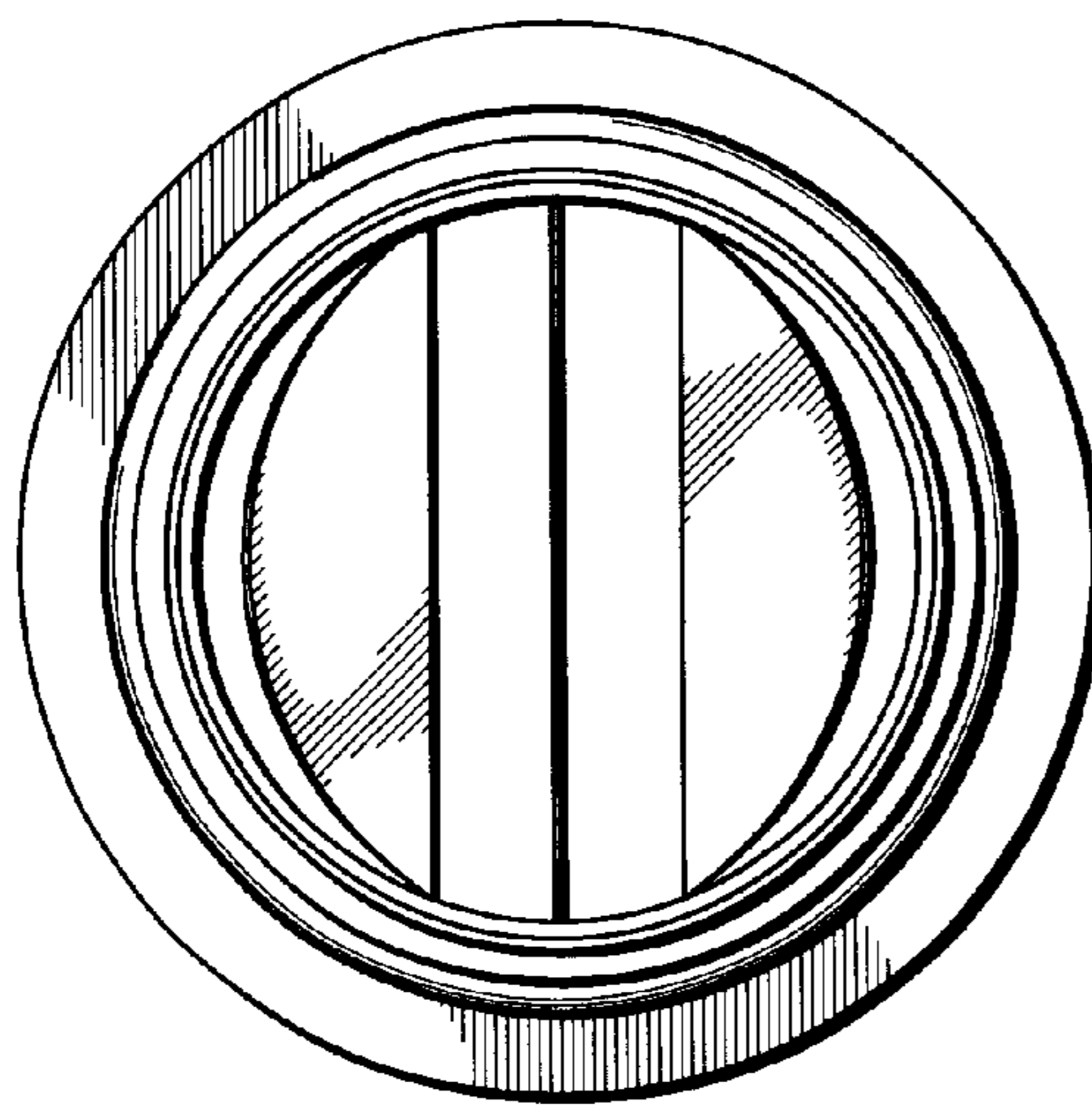


FIG. 4

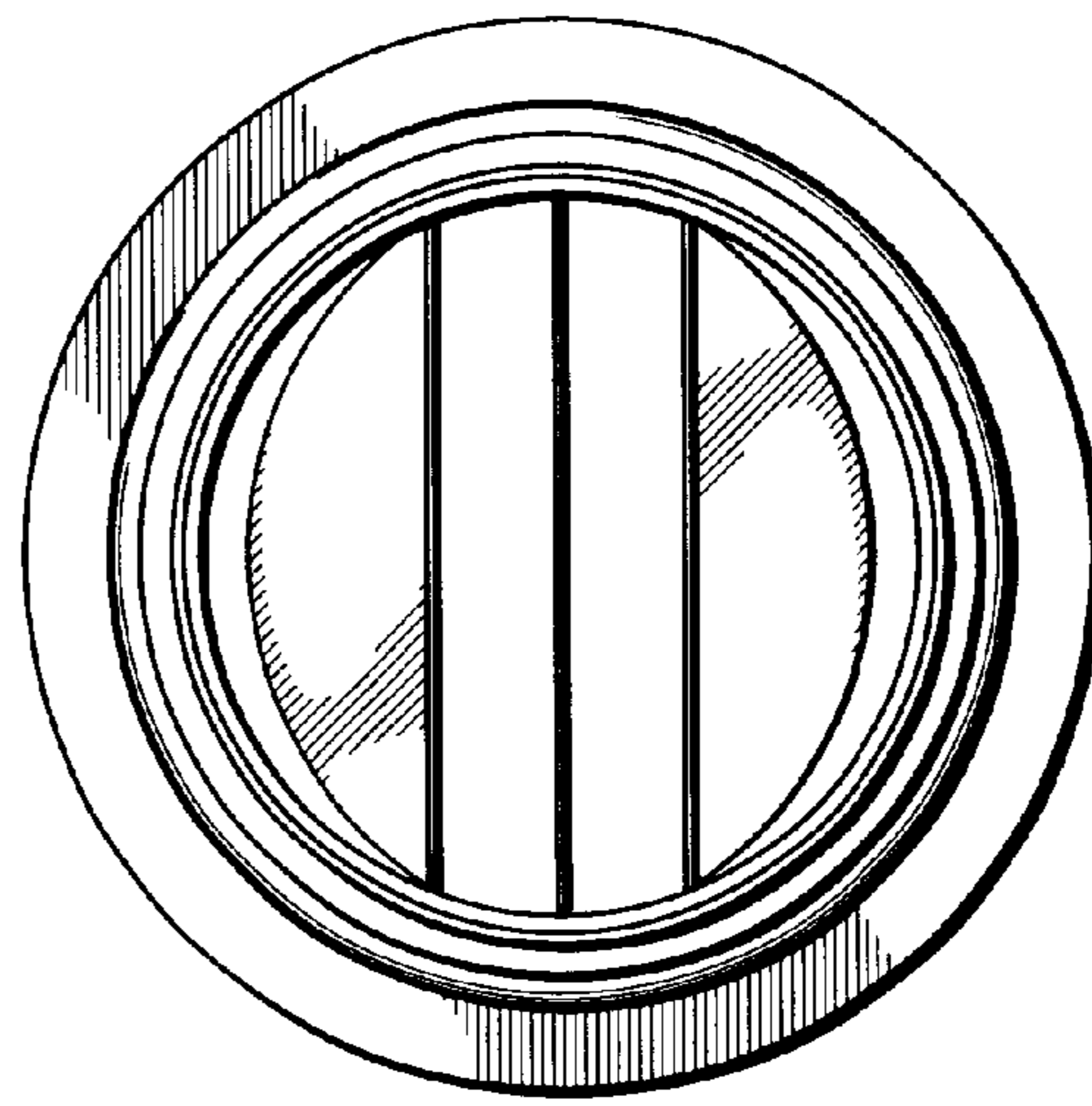


FIG. 5

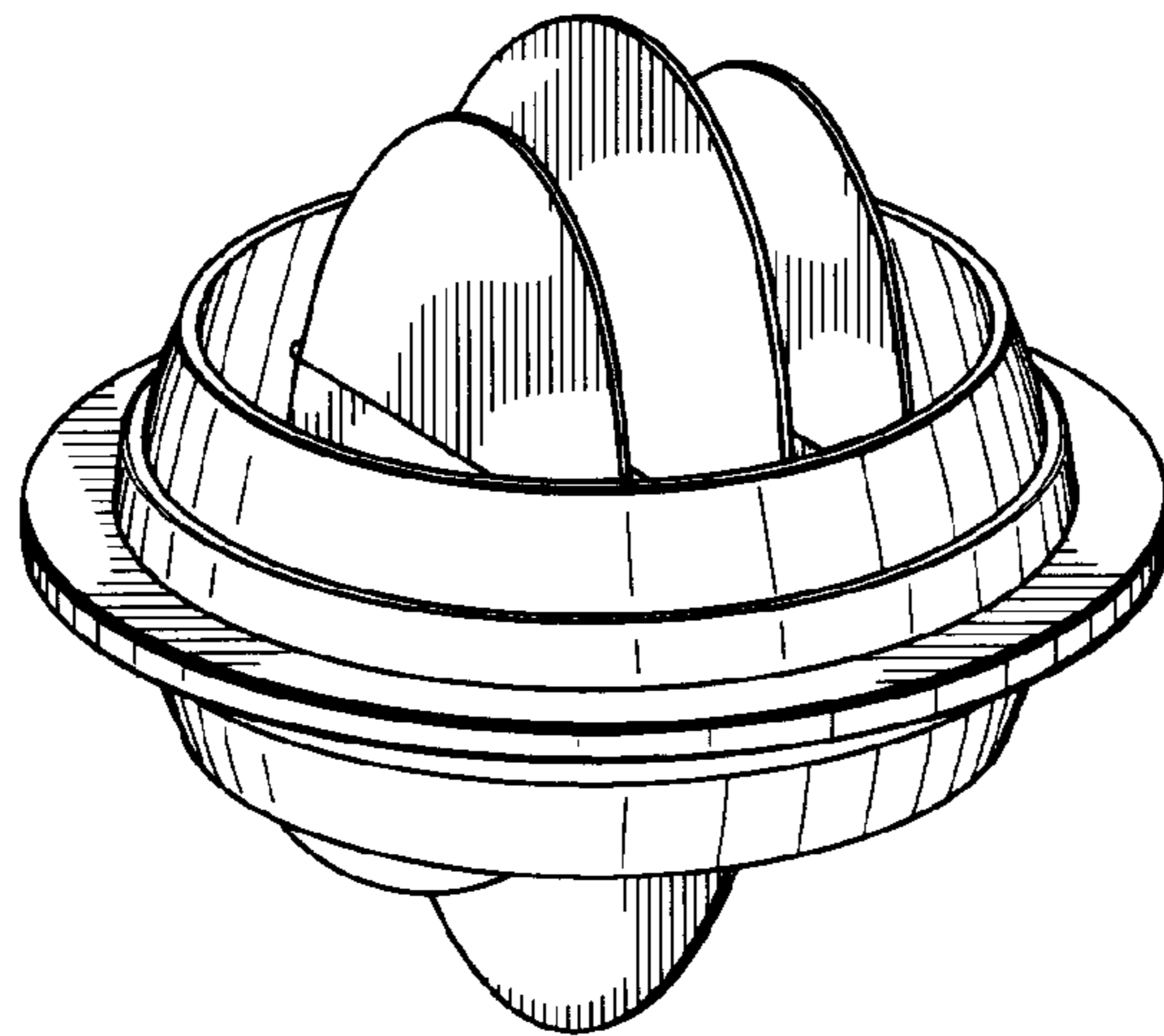


FIG. 6

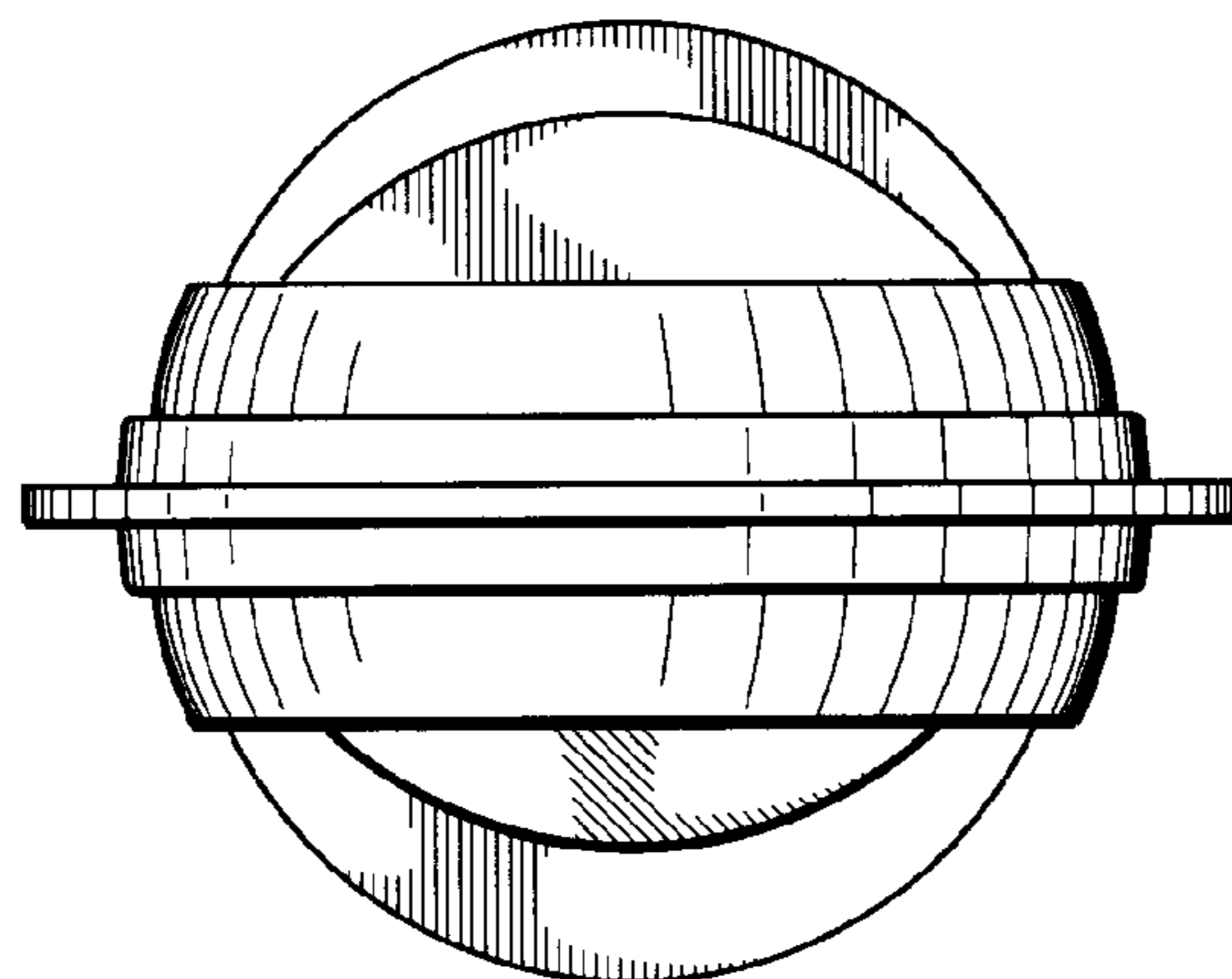


FIG. 7

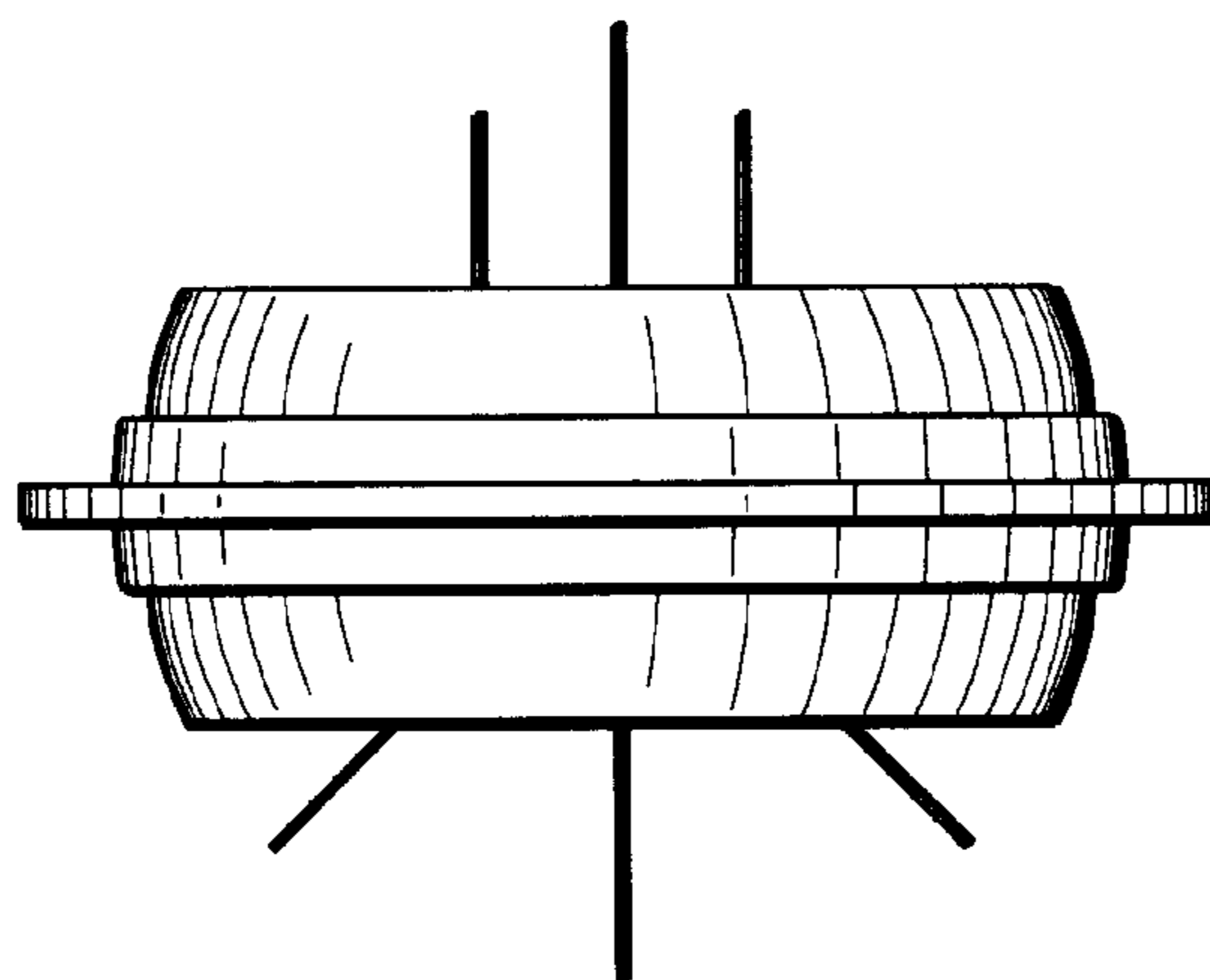


FIG. 8