



US00D521629S

(12) **United States Design Patent**
Shapiro

(10) **Patent No.:** **US D521,629 S**

(45) **Date of Patent:** **** May 23, 2006**

(54) **PEDESTAL TOWER FAN**

D423,093 S 4/2000 Fok

D479,593 S 9/2003 Fok

D488,551 S * 4/2004 Shapiro D23/378

(75) Inventor: **Barry Shapiro**, Doylestown, PA (US)

(73) Assignee: **Lasko Holdings, Inc.**, Wilmington, DE (US)

* cited by examiner

Primary Examiner—Lisa Lichtenstein

(74) *Attorney, Agent, or Firm*—RatnerPrestia

(**) Term: **14 Years**

(57) **CLAIM**

(21) Appl. No.: **29/196,003**

The ornamental design for a pedestal tower fan, as shown and described.

(22) Filed: **Dec. 19, 2003**

Related U.S. Application Data

DESCRIPTION

(62) Division of application No. 29/185,358, filed on Jun. 26, 2003, now Pat. No. Des. 488,551.

FIG. 1 is a right side front perspective view of a fan showing my new design;

(51) **LOC (8) Cl.** **23-04**

FIG. 2 is a right side rear perspective view thereof;

(52) **U.S. Cl.** **D23/378**

FIG. 3 is a front elevation view thereof;

(58) **Field of Classification Search** D23/378, D23/381, 370, 411; 416/347 R, 346 R
See application file for complete search history.

FIG. 4 is a side elevation view thereof, the opposite side being a mirror image of that shown;

FIG. 5 is a rear elevation view thereof; and,

FIG. 6 is a top plan view thereof.

(56) **References Cited**

The broken line showing of environmental structure in FIGS. 1–5 is for illustrative purposes only and forms no part of the claimed design.

U.S. PATENT DOCUMENTS

D322,669 S 12/1991 Yamamoto et al.

D389,567 S 1/1998 Guddefin

1 Claim, 6 Drawing Sheets

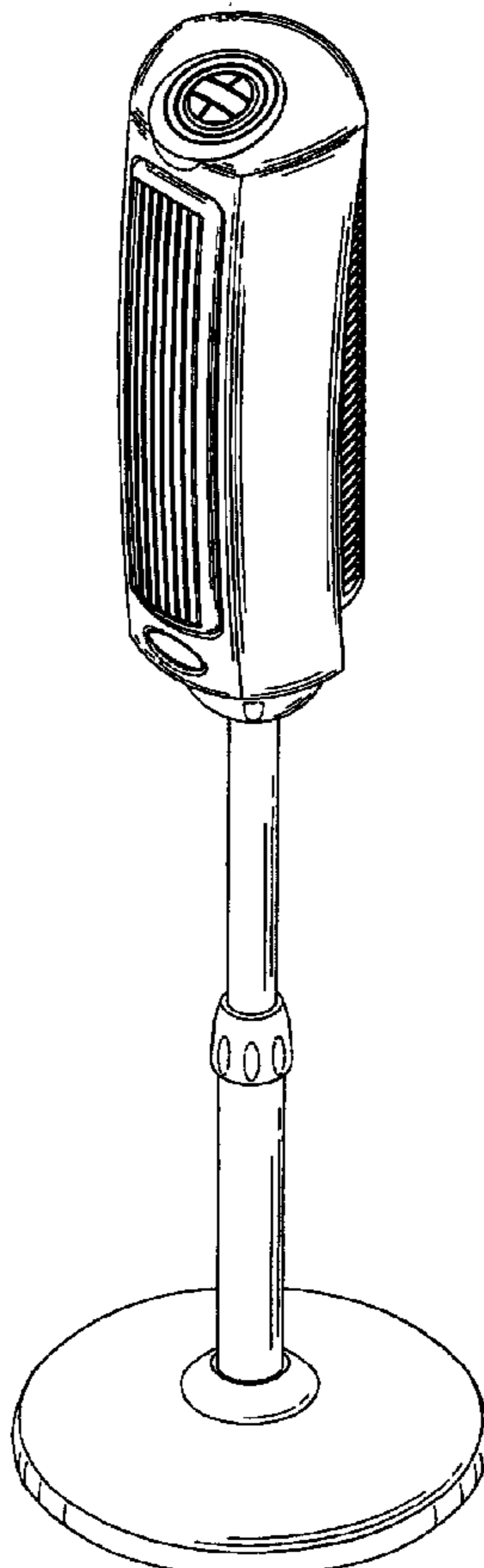


FIG. 1

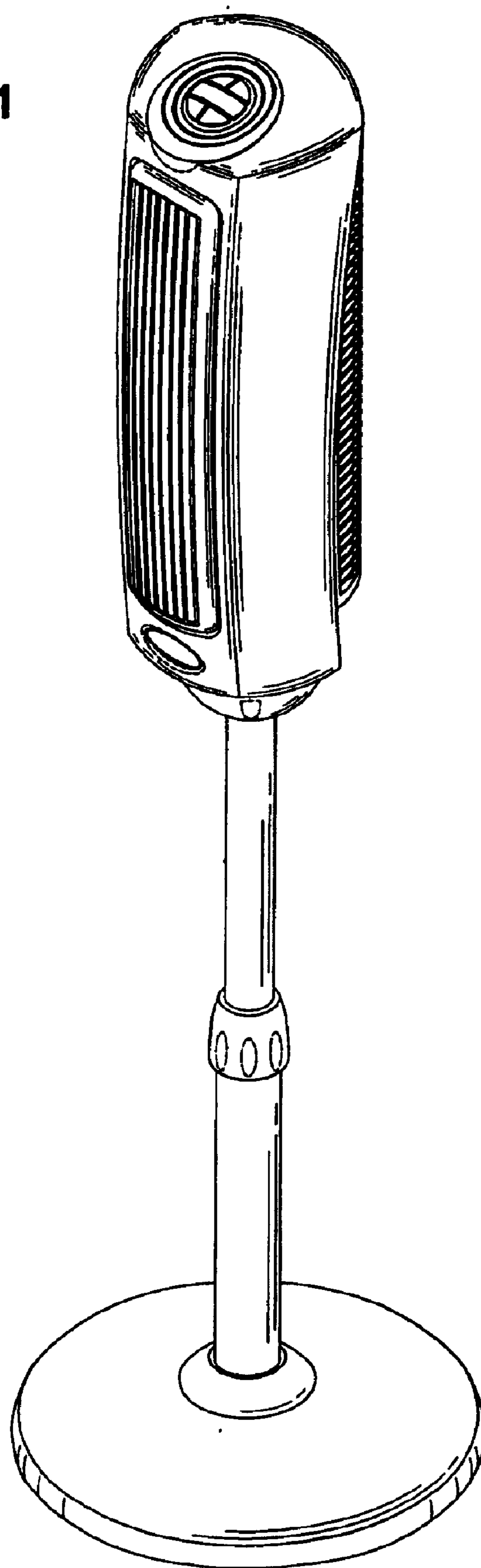


FIG. 2

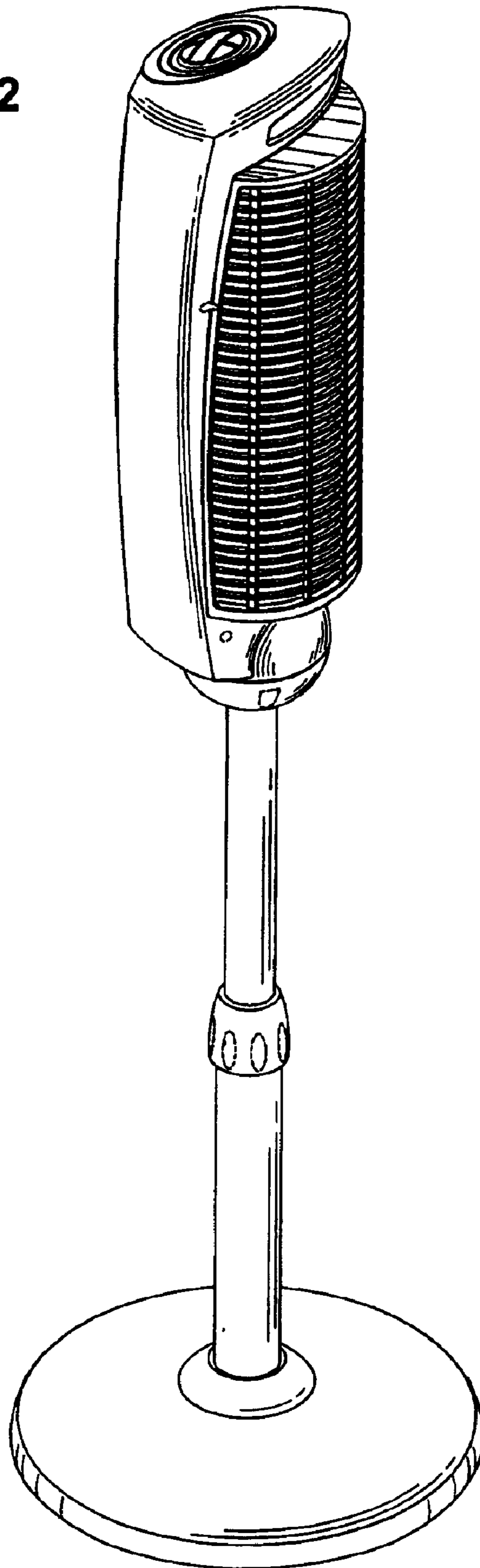


FIG. 3

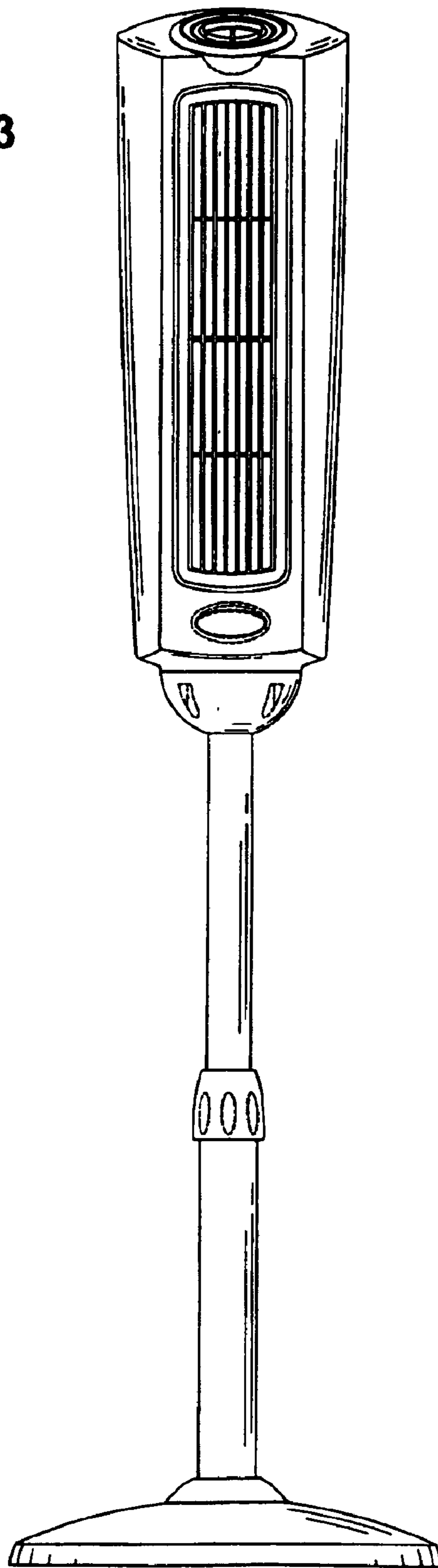


FIG. 4

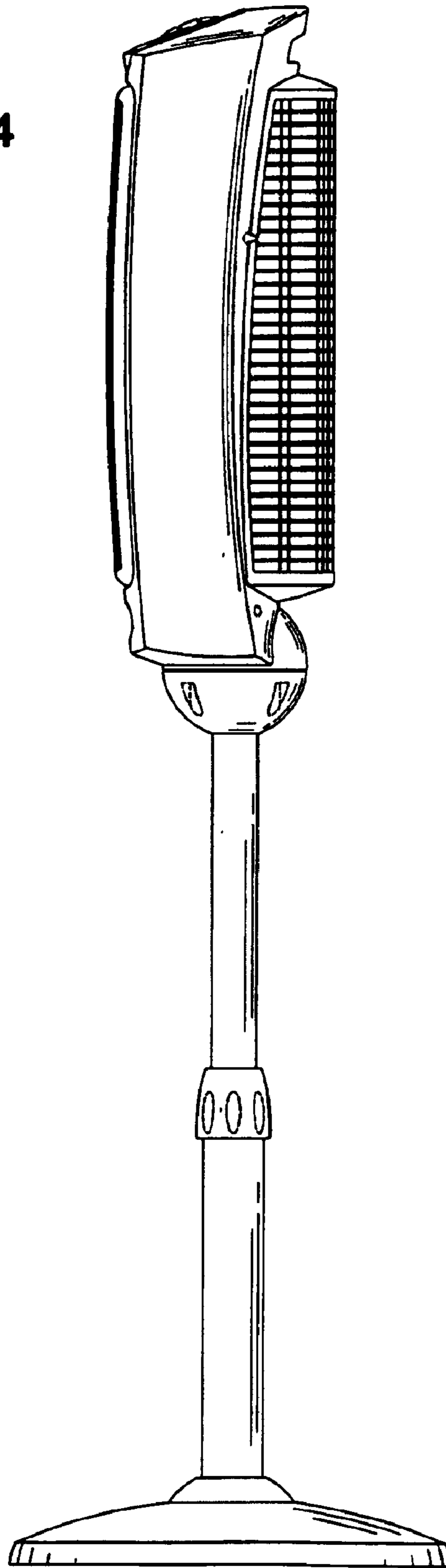
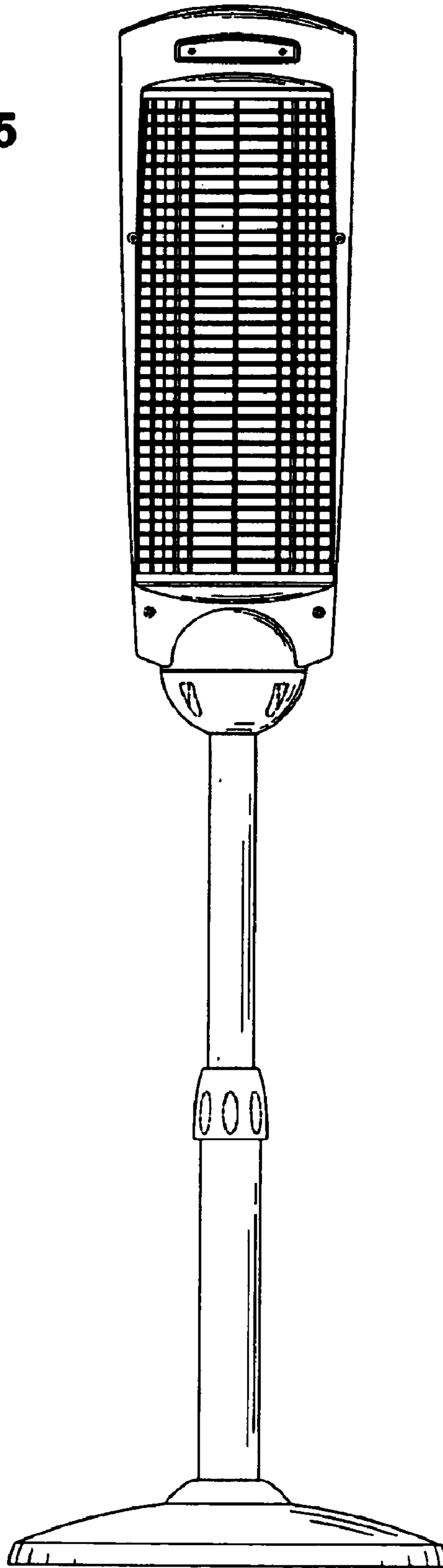


FIG. 5



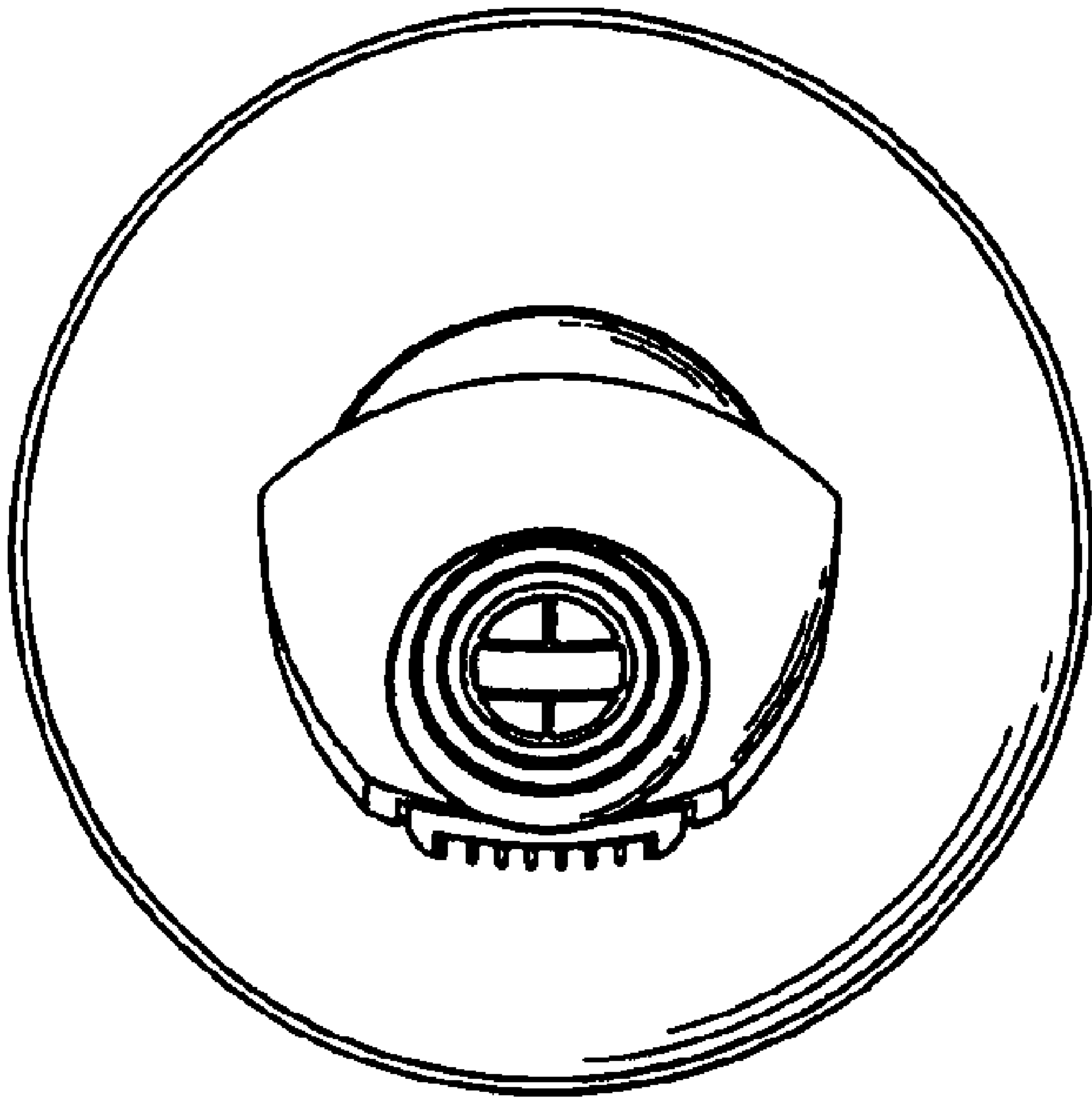


FIG. 6