

US00D521625S

(12) **United States Design Patent**
Young

(10) **Patent No.:** **US D521,625 S**
(45) **Date of Patent:** **** May 23, 2006**

(54) **COMBINATION CEILING FAN AND LIGHT FIXTURE**

(75) Inventor: **Stanfield Young**, Garden Grove, CA (US)

(73) Assignee: **Minka Lighting, Inc.**, Corona, CA (US)

(**) Term: **14 Years**

(21) Appl. No.: **29/204,000**

(22) Filed: **Apr. 22, 2004**

(51) **LOC (8) Cl.** **23-04**

(52) **U.S. Cl.** **D23/377; D23/379; D26/59**

(58) **Field of Classification Search** **D23/377, D23/379, 385, 411, 413; D26/59, 72, 81-88**
See application file for complete search history.

(56) **References Cited**

U.S. PATENT DOCUMENTS

D393,902 S * 4/1998 Pickett D23/377
D435,289 S * 12/2000 Liu D23/411

OTHER PUBLICATIONS

Lamps Plus Internet Catalog; Casablanca Ventura II, Model # 89125-57276; www.lampsplus.com, May 14, 2004, Casablanca Fans.

Casablanca Internet Catalog; Avalon Blade System; Model # B31B; www.casablancafanco.com, May 14, 2004, Casablanca Fans.

Casablanca Internet Catalog; Malibu Star; Model # 23B002; www.casablancafanco.com, May 14, 2004, Casablanca Fans.

Monte Carlo Internet Catalog; Vera Cruz; Model # VC5B06, 5VC0P, 5VC0C, 5VCWH, 5VCFB, May 25, 2004, Monte Carlo Fans.

Hampton Bay Ceiling Fans; vol. 1; Spring/Summer 2004; p. 38, Mar. 2004, Home Depot, Inc., U.S.A.

Minka Aire 2004; pp. 52-53, Jan. 2004, Minka Lighting, Inc. USA.

FanimationInternet Catalog; The Islander; Model #ISC4; printed from www.fansworksoutlet.com on May 19, 2005.

Emerson Internet Catalog; Model #EMB30KH; printed from www.fansworksoutlet.com on May 19, 2005.

* cited by examiner

Primary Examiner—Lisa Lichtenstein

(74) *Attorney, Agent, or Firm*—Baker & McKenzie LLP

(57) **CLAIM**

The ornamental design for a combination ceiling fan and light fixture, as shown and described.

DESCRIPTION

FIG. 1 is a perspective view from below of a combination ceiling fan and light fixture in accordance with my design; FIG. 2 is an enlarged perspective view from below of the combination ceiling fan and light fixture in accordance with my design;

FIG. 3 is a reduced top plan view of the combination ceiling fan and light fixture in accordance with my design;

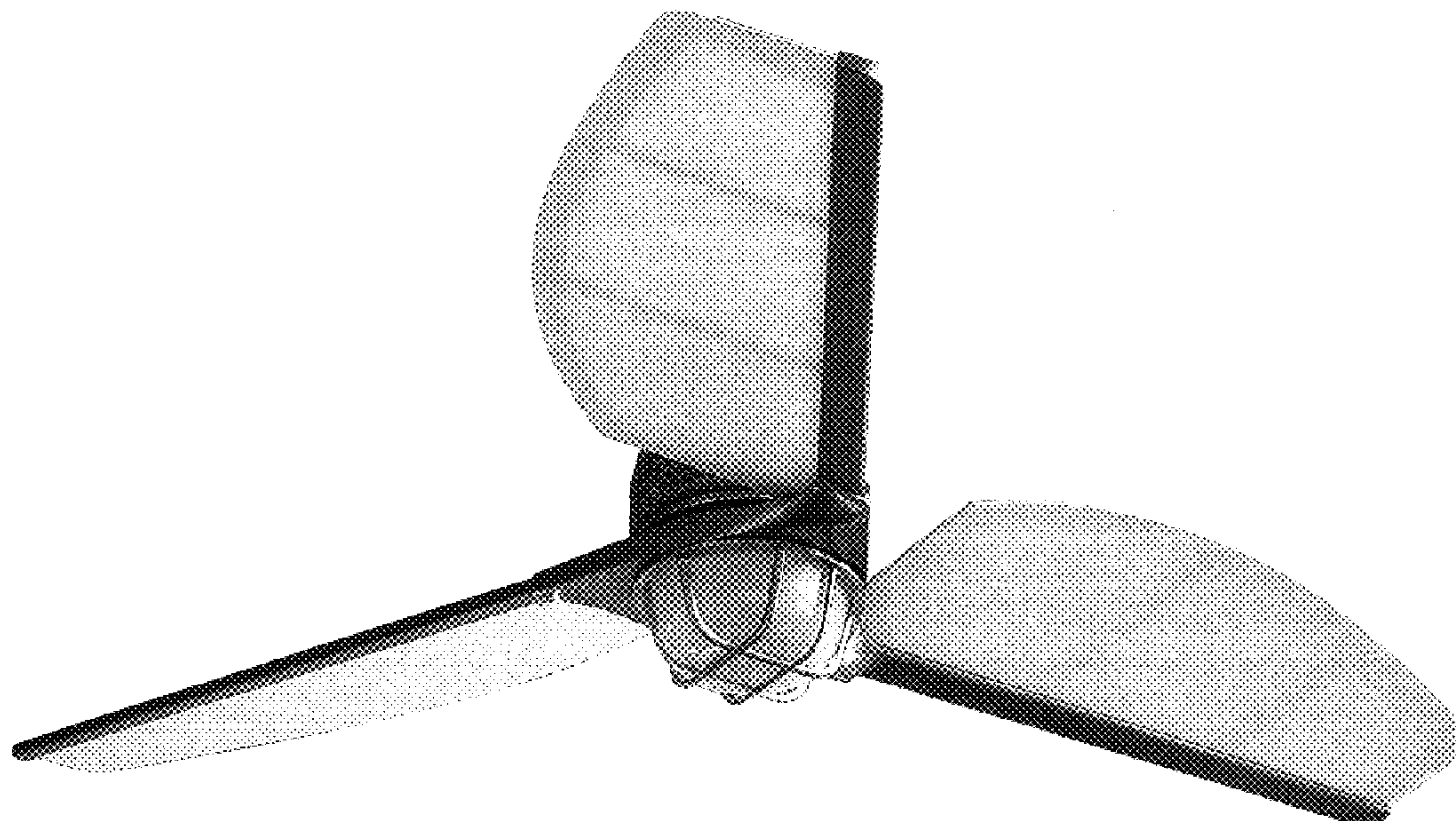
FIG. 4 is a reduced bottom plan view of the combination ceiling fan and light fixture in accordance with my design;

FIG. 5 is a front elevation view of the combination ceiling fan and light fixture in accordance with my design; and,

FIG. 6 is a side elevation view of the combination ceiling fan and light fixture in accordance with my design.

FIGS. 5 and 6 are identical except for the positioning of the fan blades.

1 Claim, 5 Drawing Sheets



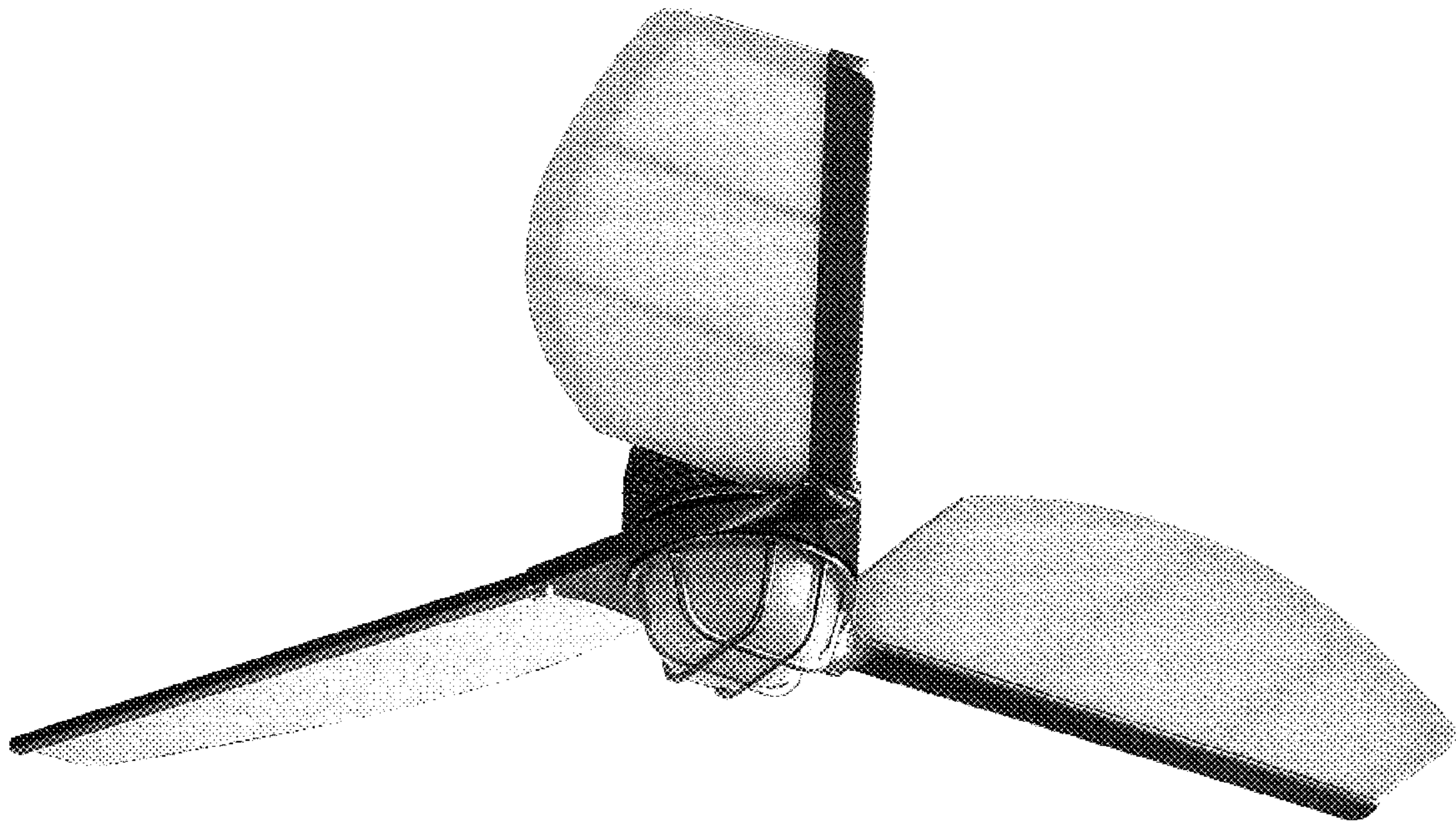


Fig.1

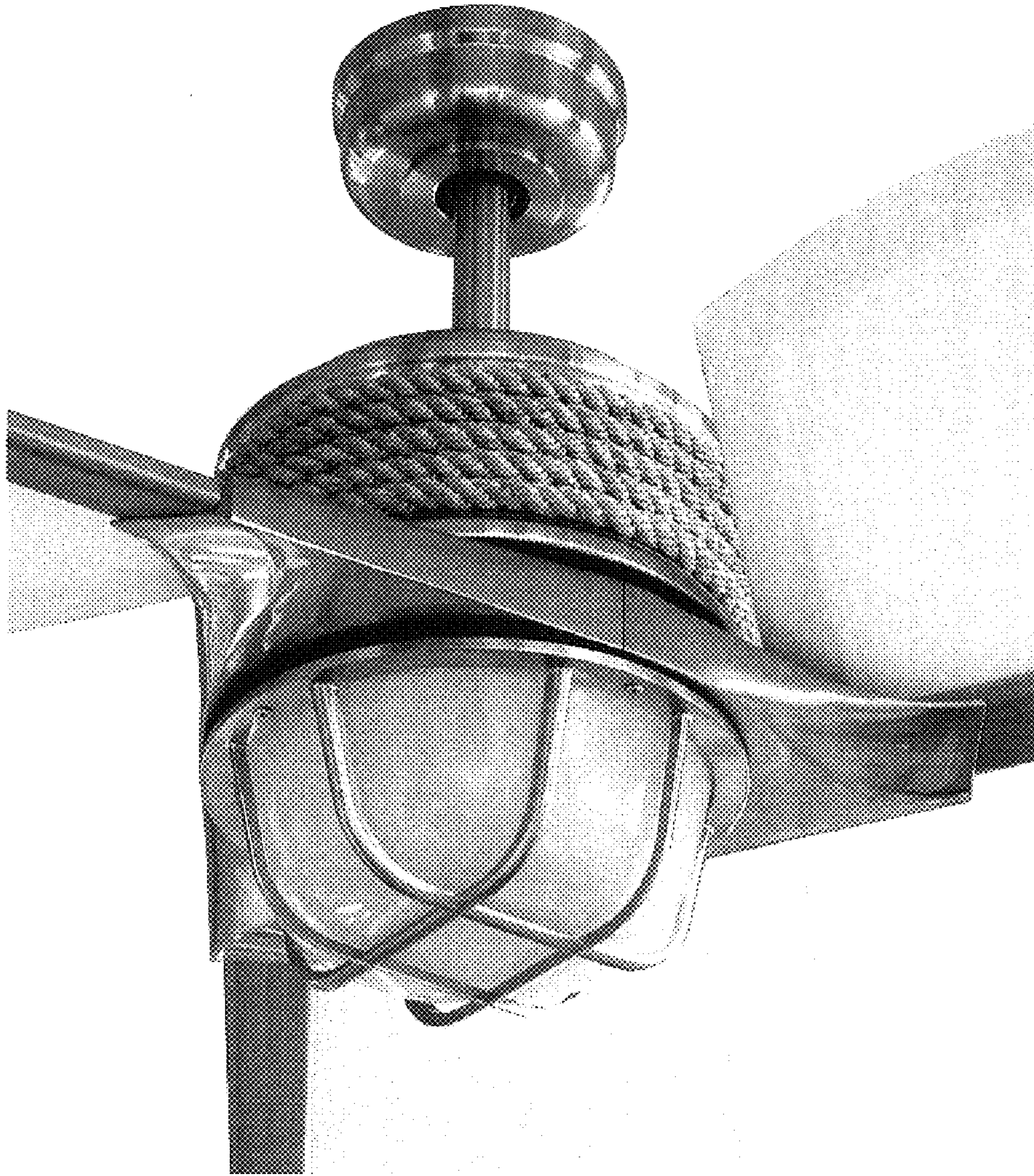


Fig.2

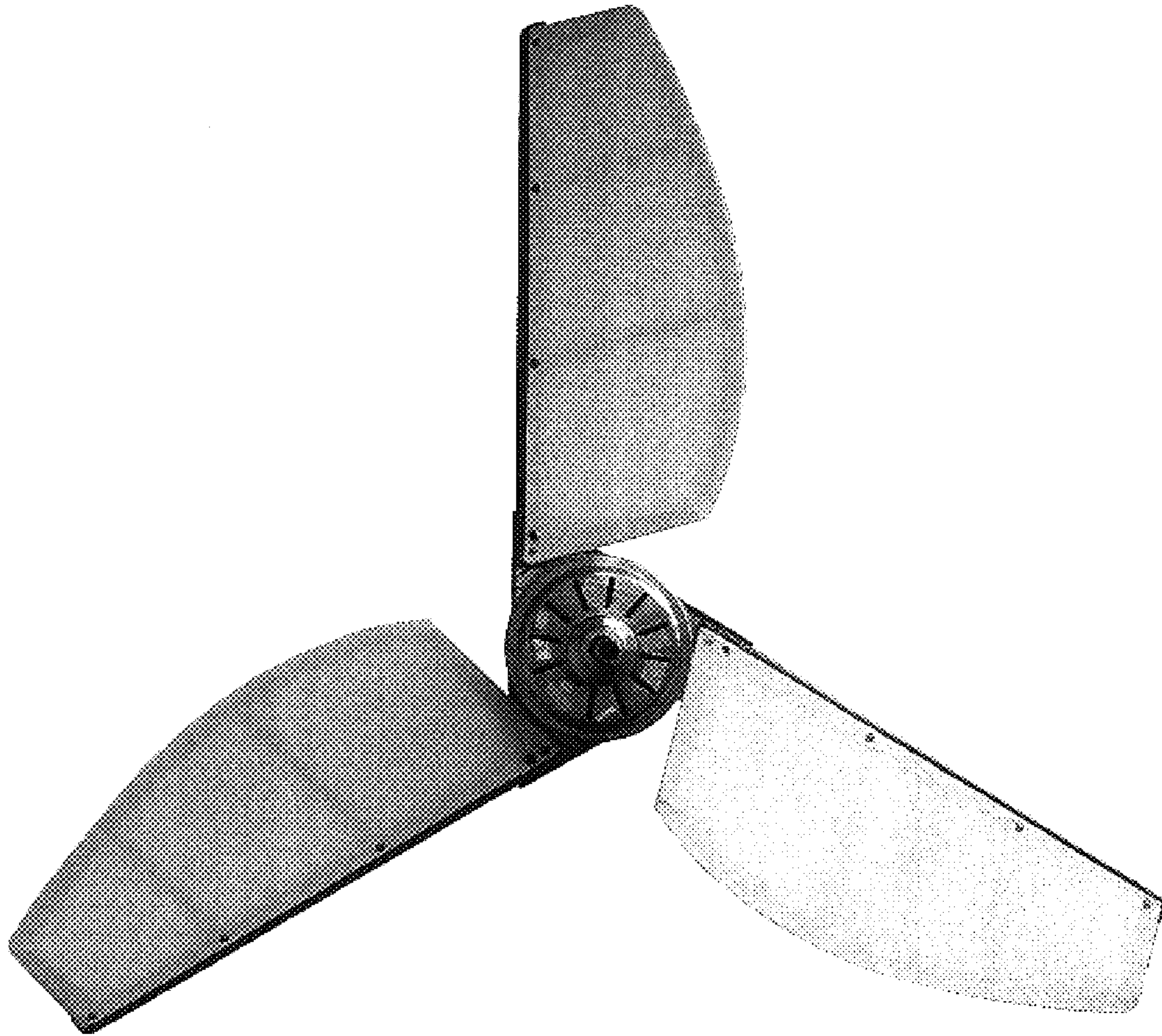


Fig.3

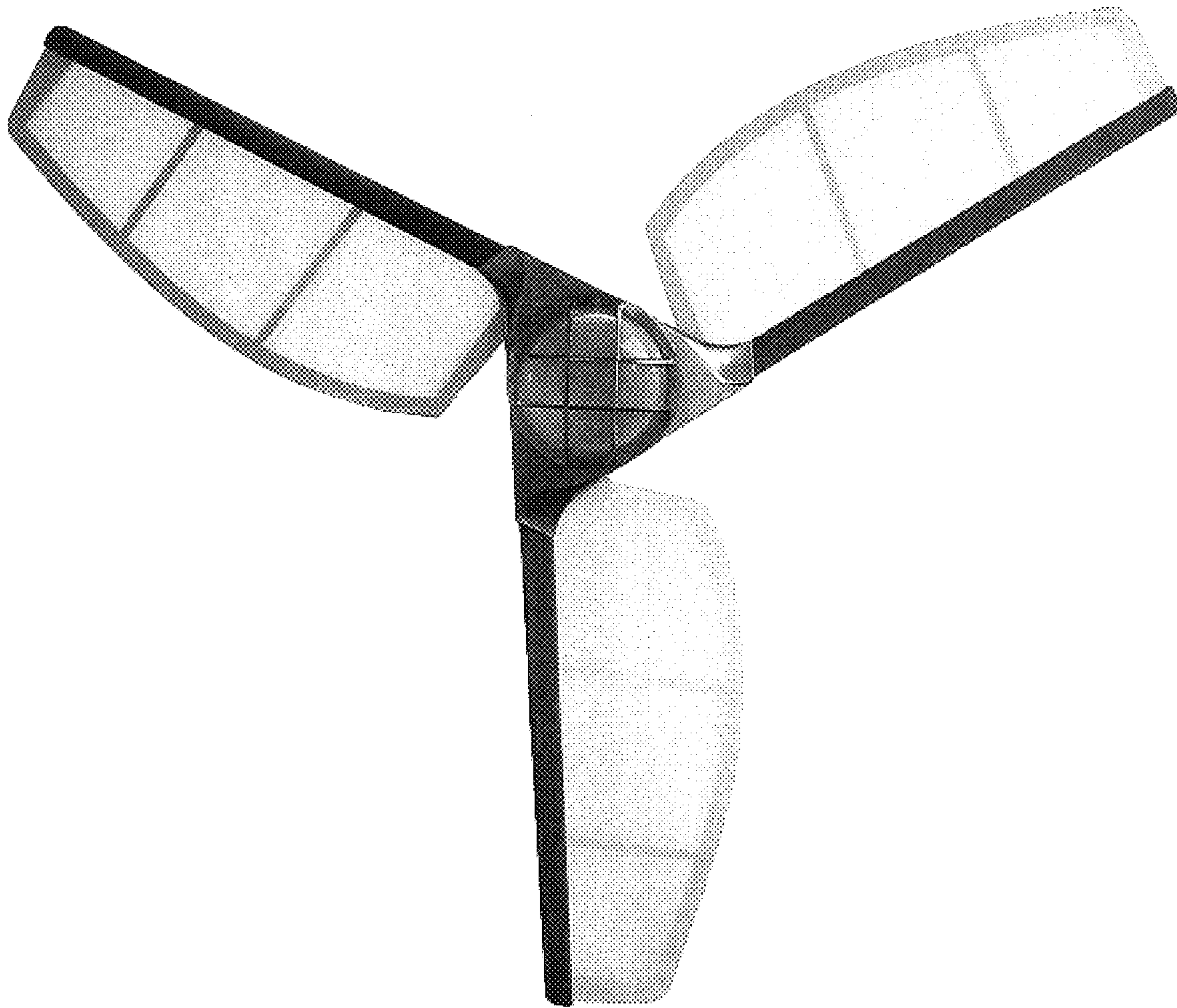


Fig.4

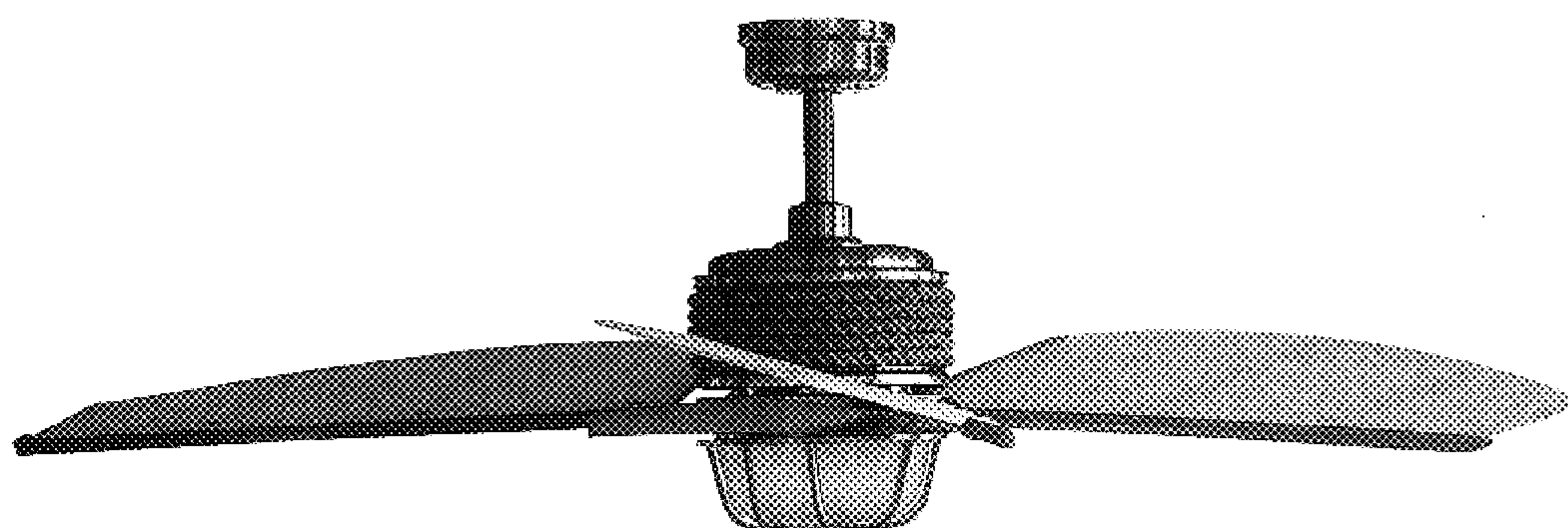


Fig.5

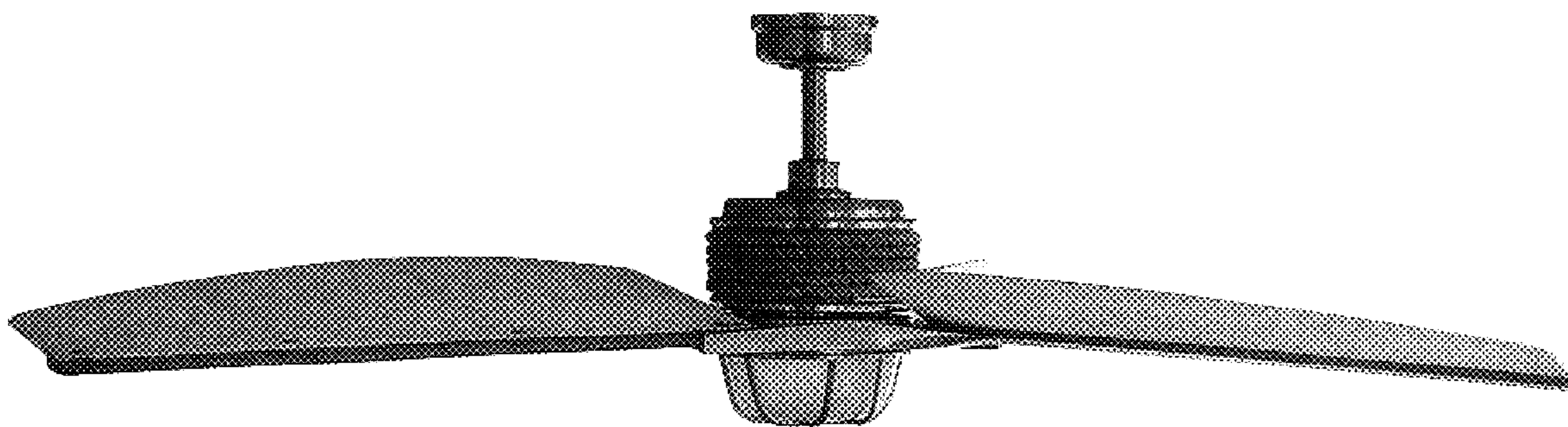


Fig.6