



US00D521622S

(12) **United States Design Patent** (10) **Patent No.:** **US D521,622 S**
Bothe et al. (45) **Date of Patent:** **** May 23, 2006**

(54) **RANGE HOOD**

(75) Inventors: **Danny W. Bothe**, Watertown, WI (US);
Brian R. Wellnitz, Grafton, WI (US);
David H. Roland, Cedarburg, WI (US);
Brett Vladika, Milwaukee, WI (US)

(73) Assignee: **Broan-NuTone LLC**, Hartford, WI (US)

(**) Term: **14 Years**

(21) Appl. No.: **29/194,525**

(22) Filed: **Nov. 25, 2003**

Related U.S. Application Data

(62) Division of application No. 29/174,954, filed on Jan. 28, 2003, now Pat. No. Des. 482,769, which is a division of application No. 29/153,063, filed on Oct. 19, 2001, now Pat. No. Des. 473,297, which is a continuation of application No. 29/119,202, filed on Feb. 24, 2000, now Pat. No. Des. 450,829.

(51) **LOC (8) Cl.** **23-04**

(52) **U.S. Cl.** **D23/372**

(58) **Field of Classification Search** D23/372,
D23/371; 126/299 R, 299 D

See application file for complete search history.

(56) **References Cited**

U.S. PATENT DOCUMENTS

D315,204 S 3/1991 Fleming et al.

5,027,790 A * 7/1991 Chern 126/299 R
5,363,837 A * 11/1994 Jang 126/299 D
D375,351 S * 11/1996 Conforti D23/372
D482,769 S * 11/2003 Bothe et al. D23/372

* cited by examiner

Primary Examiner—Lisa Lichtenstein

(74) *Attorney, Agent, or Firm*—Michael Best & Friedrich LLP

(57) **CLAIM**

The ornamental design for a range hood, as shown and described.

DESCRIPTION

FIG. 1 is a perspective view of a range hood showing our new design;

FIG. 2 is a front view of the front of the range hood shown in FIG. 1;

FIG. 3 is a left side view thereof, with the opposite side being a mirror image;

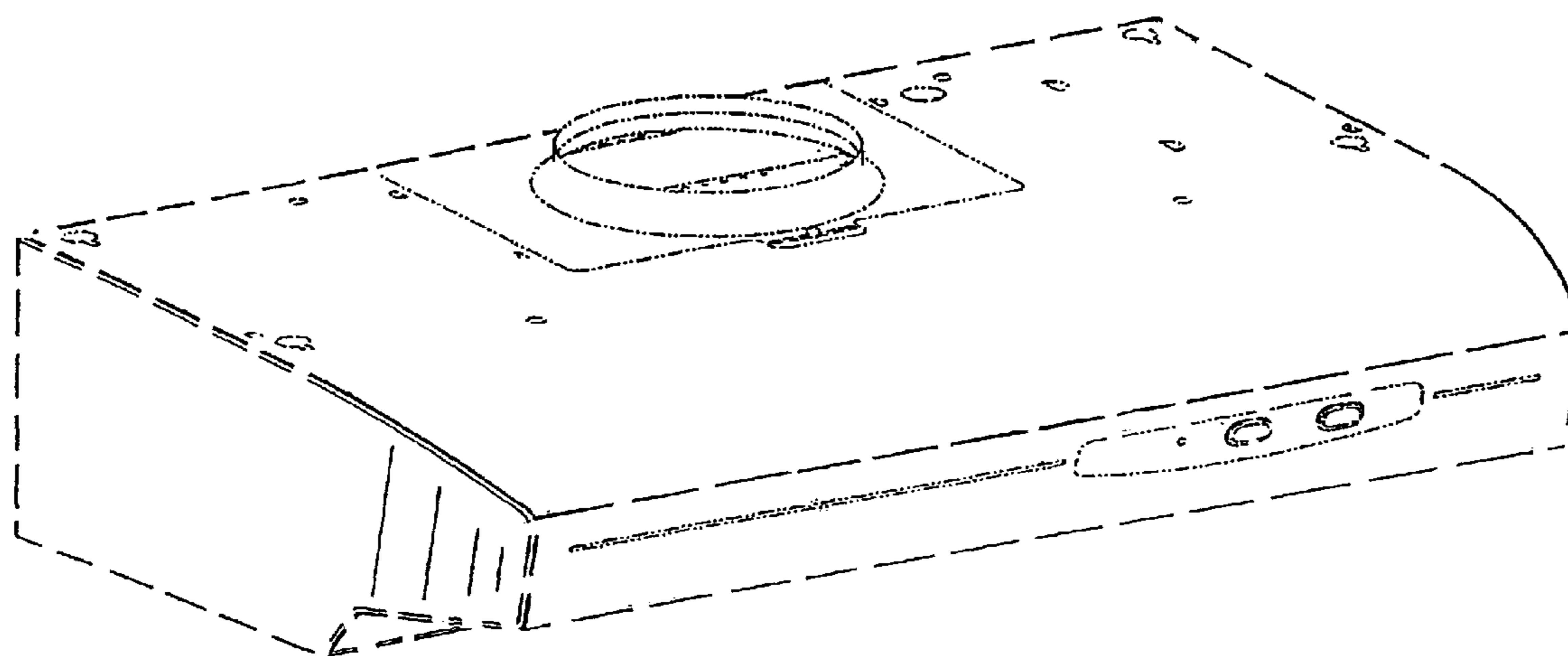
FIG. 4 is a top view of the range hood shown in FIGS. 1, 2 and 3;

FIG. 5 is a bottom view of the range hood shown in FIGS. 1, 2, 3, and 4; and,

FIG. 6 is a back view of the range hood shown in FIGS. 1, 2, 3, 4 and 5.

The broken lines in the Figures are shown for illustrative purposes only and form no part of the claimed design.

1 Claim, 3 Drawing Sheets



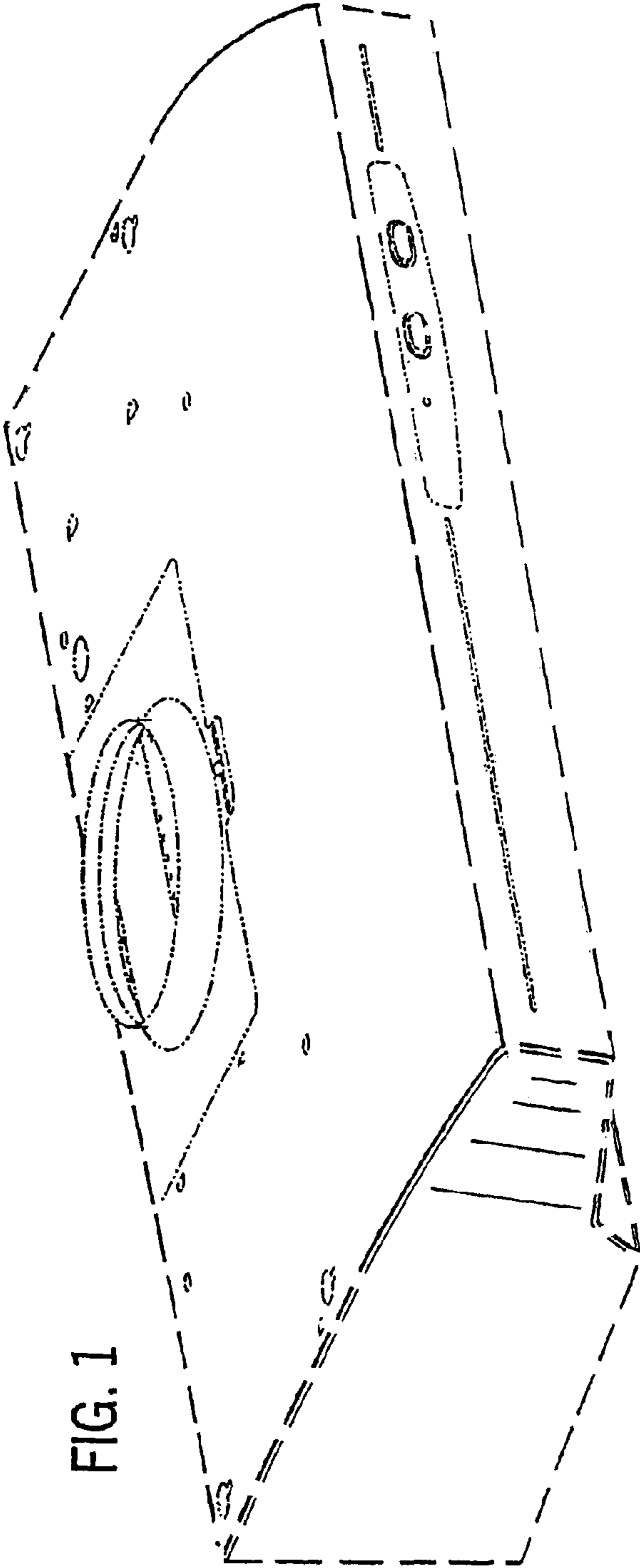


FIG. 1

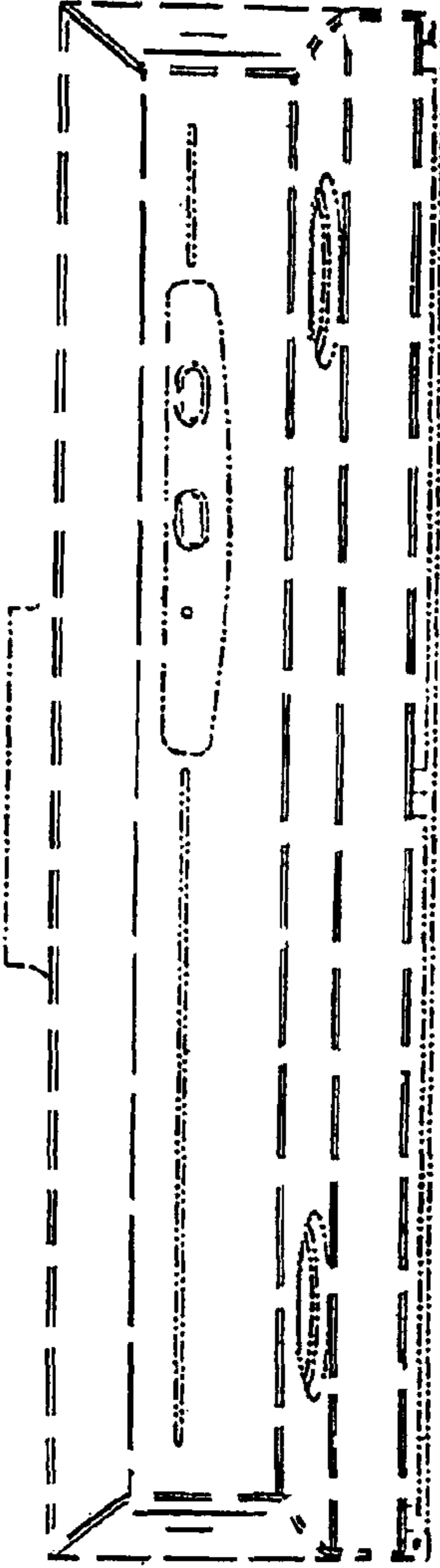


FIG. 2

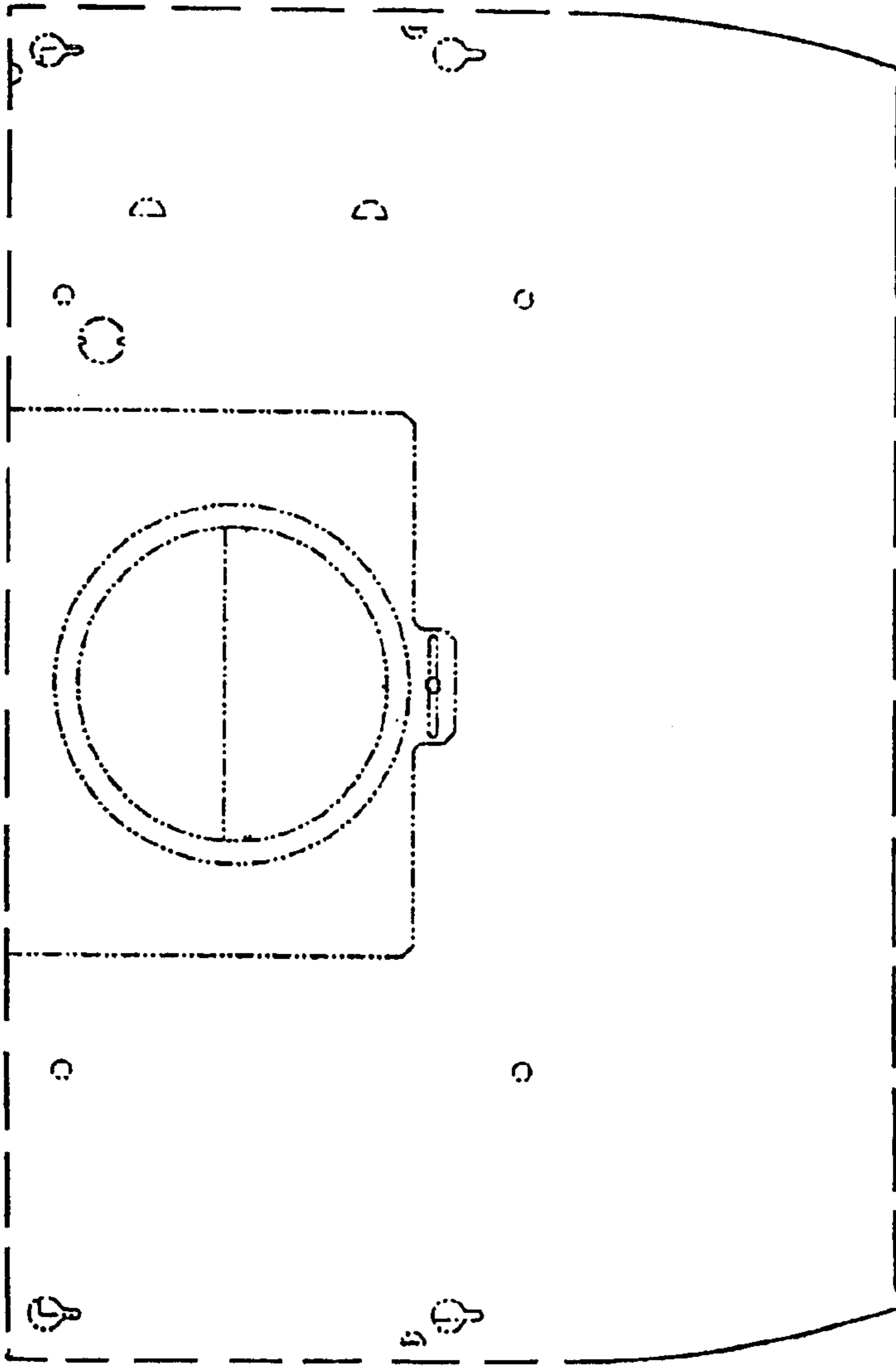


FIG. 4

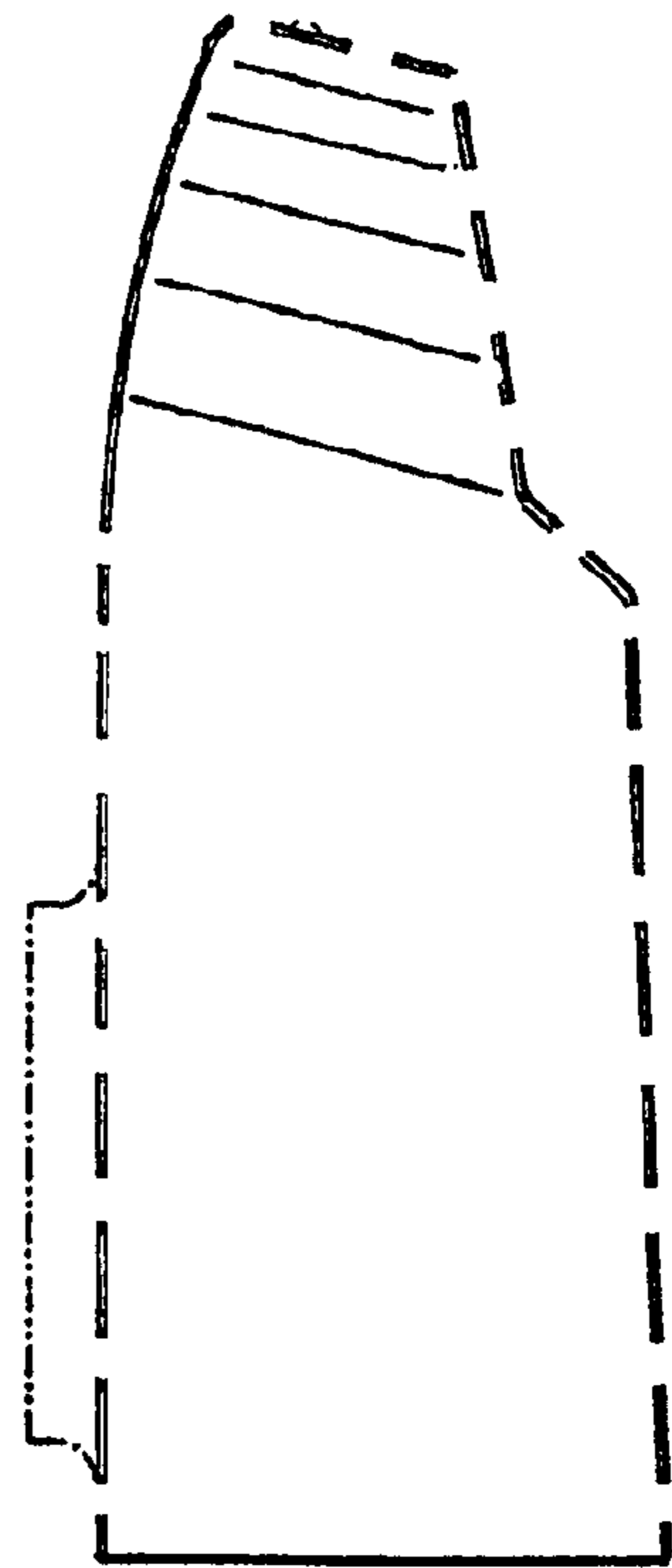


FIG. 3

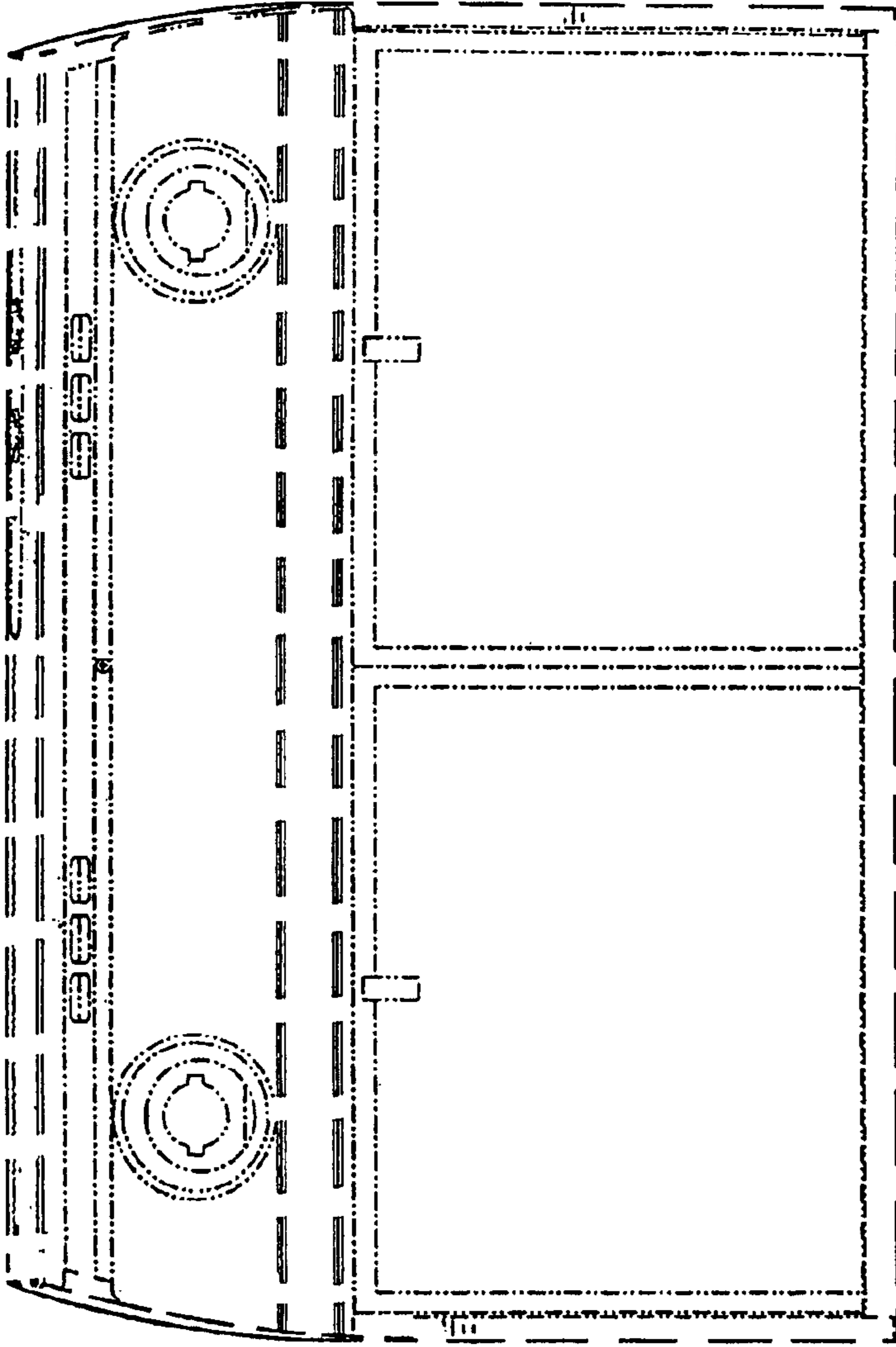


FIG. 5

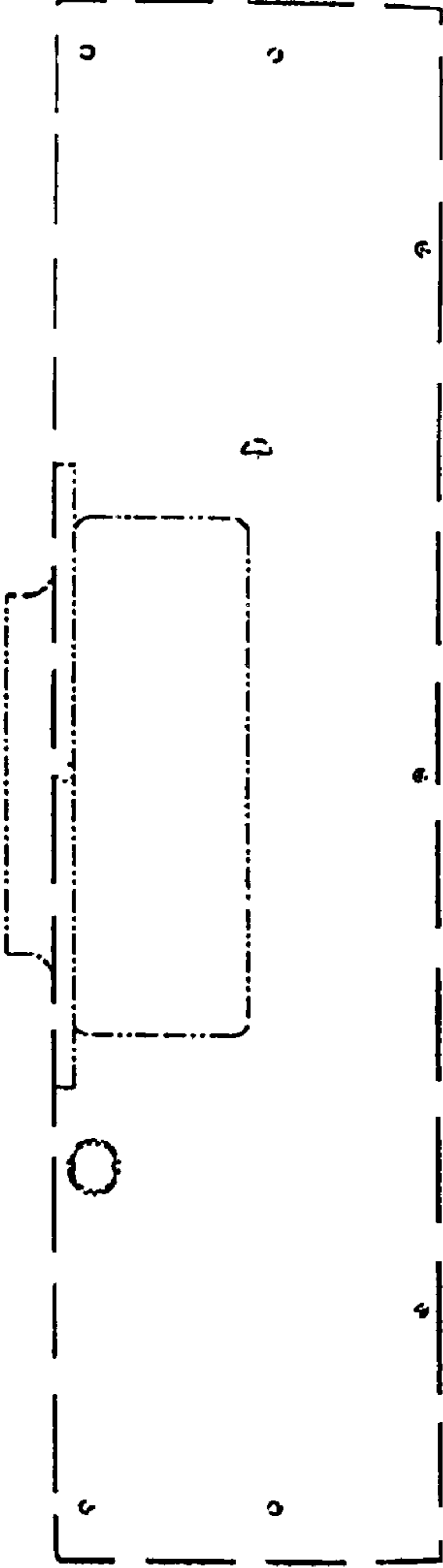


FIG. 6