

US00D521619S

(12) **United States Design Patent**
Salyers

(10) **Patent No.:** **US D521,619 S**
(45) **Date of Patent:** **** May 23, 2006**

(54) **SET OF DECORATIVE SNAP-ON TOILET COVERS**

(76) Inventor: **Brenda G. Salyers**, 2111 S. Citrus Cir., Zellwood, FL (US) 32798

(**) Term: **14 Years**

(21) Appl. No.: **29/228,516**

(22) Filed: **Apr. 25, 2005**

(51) **LOC (8) Cl.** **23-02**

(52) **U.S. Cl.** **D23/311; D23/313**

(58) **Field of Classification Search** D23/296-297, D23/303, 309, 311-312; 4/234, 242.1, 237-241, 4/661, 245.1, DIG. 6, DIG. 9; 297/219.1, 297/219.12; D6/610-612

See application file for complete search history.

(56) **References Cited**

U.S. PATENT DOCUMENTS

D21,438 S	*	3/1892	Sievert	D23/311
D375,346 S	*	11/1996	Garcia	D23/311
D387,851 S	*	12/1997	Pieters	D23/311
D390,644 S	*	2/1998	Hicks	D23/311
D402,017 S	*	12/1998	Council	D23/311

* cited by examiner

Primary Examiner—Robert A. Delehanty

(74) *Attorney, Agent, or Firm*—Elsie C. Turner

(57) **CLAIM**

The ornamental design for a set of decorative snap-on toilet covers, as shown and described.

DESCRIPTION

FIG. 1 is a perspective view of a snap-on toilet tank lid cover, it being understood that the phantom view of the toilet tank and lid itself are not part of the design;

FIG. 2 is front elevation view thereof, it being understood that the rear view thereof is identical;

FIG. 3 is a side elevation view thereof, it being understood that the opposite side elevation view thereof is identical;

FIG. 4 is a top plan view thereof;

FIG. 5 is a bottom plan view thereof;

FIG. 6 is a cross-sectional view thereof taken from line 6—6 of FIG. 4;

FIG. 7 is an exploded perspective view thereof of the top and bottom parts of a snap-on toilet seat lid cover, it being understood that the phantom view of the lid itself is not part of the design;

FIG. 8 is another perspective view of the top and bottom parts of the snap-on lid cover of FIG. 7, as installed;

FIG. 9 is a front elevation view of the lid cover of FIGS. 7 and 8;

FIG. 10 is a rear elevation view of the lid cover of FIGS. 7, 8 and 9;

FIG. 11 is a side elevation view thereof of the lid cover, it being understood that the opposite side is a mirror image thereof;

FIG. 12 is a top plan view of the lid cover;

FIG. 13 is a bottom plan view of the lid cover;

FIG. 14 is a cross-sectional view thereof taken along line 14 of FIG. 12;

FIG. 15 is an exploded perspective view of the top and bottom sections of a snap-on toilet seat cover, it being understood that the toilet seat itself shown in phantom is not part of my design;

FIG. 16 is another perspective view of the toilet seat cover, installed;

FIG. 17 is a front elevation view of the seat cover;

FIG. 18 is a rear elevation view thereof;

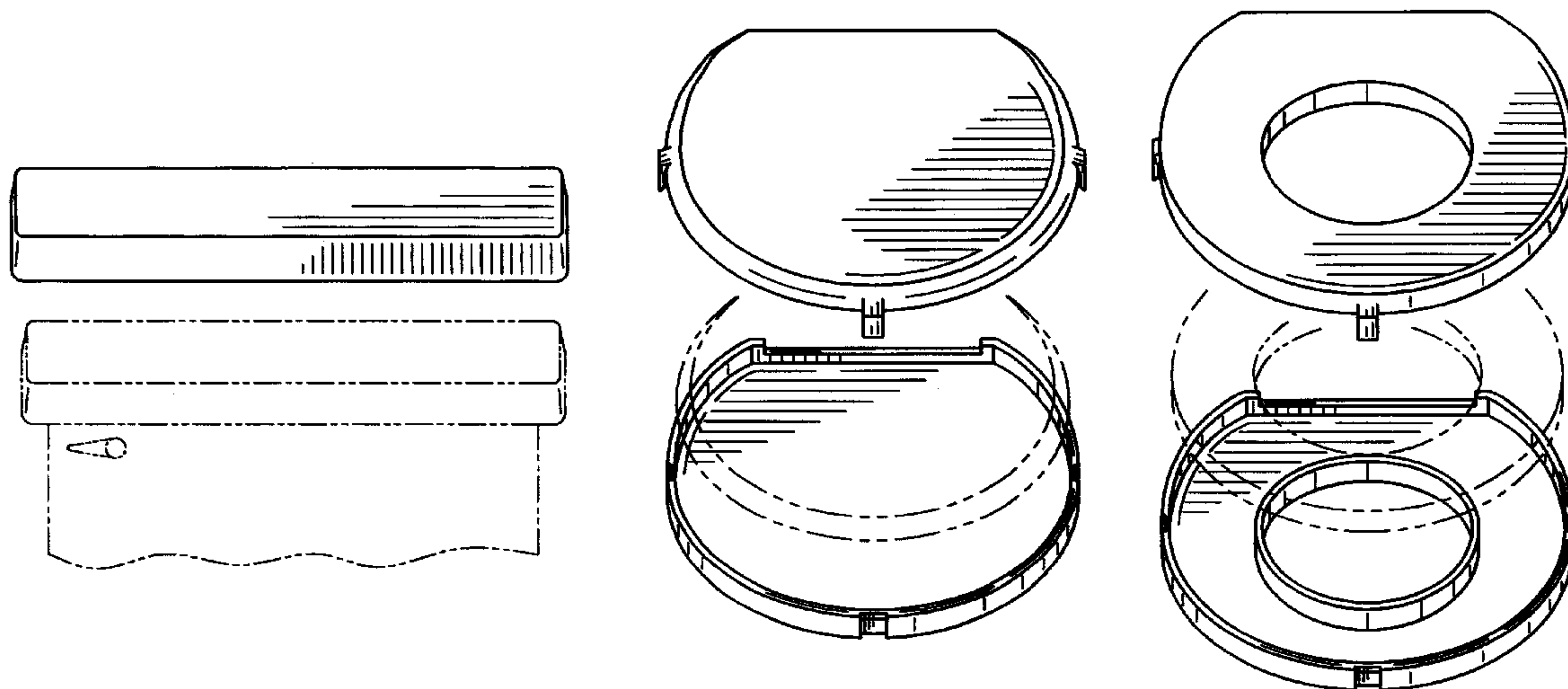
FIG. 19 is a side elevation view of the seat cover, it being understood that the opposite side is a mirror image thereof;

FIG. 20 is a top plan view of the seat cover;

FIG. 21 is a bottom plan view thereof; and,

FIG. 22 is a cross-sectional view thereof taken along line 22 of FIG. 20.

1 Claim, 3 Drawing Sheets



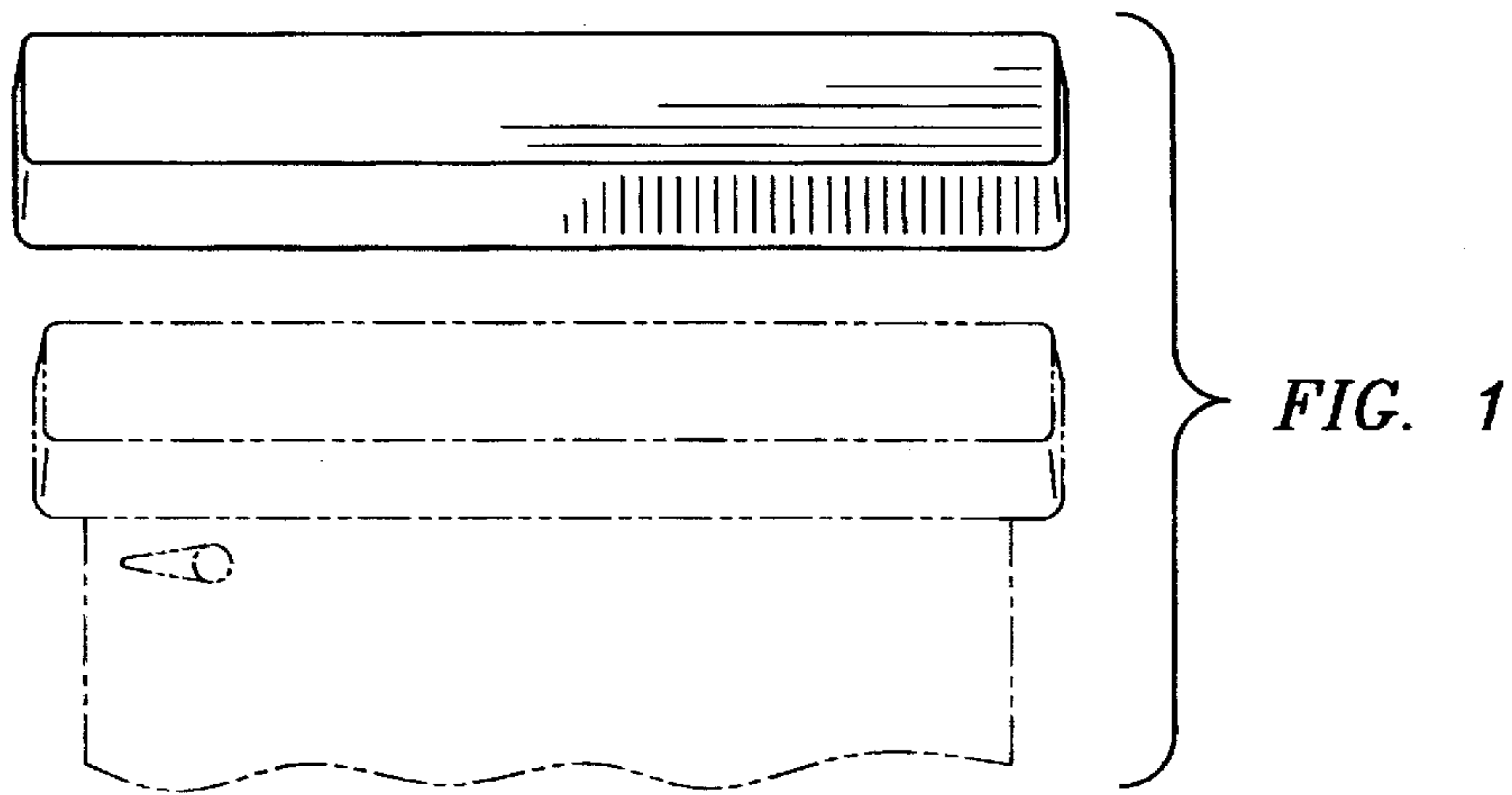


FIG. 2

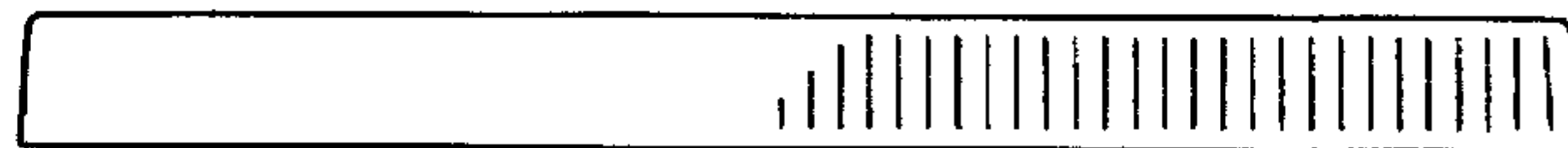


FIG. 3

FIG. 4

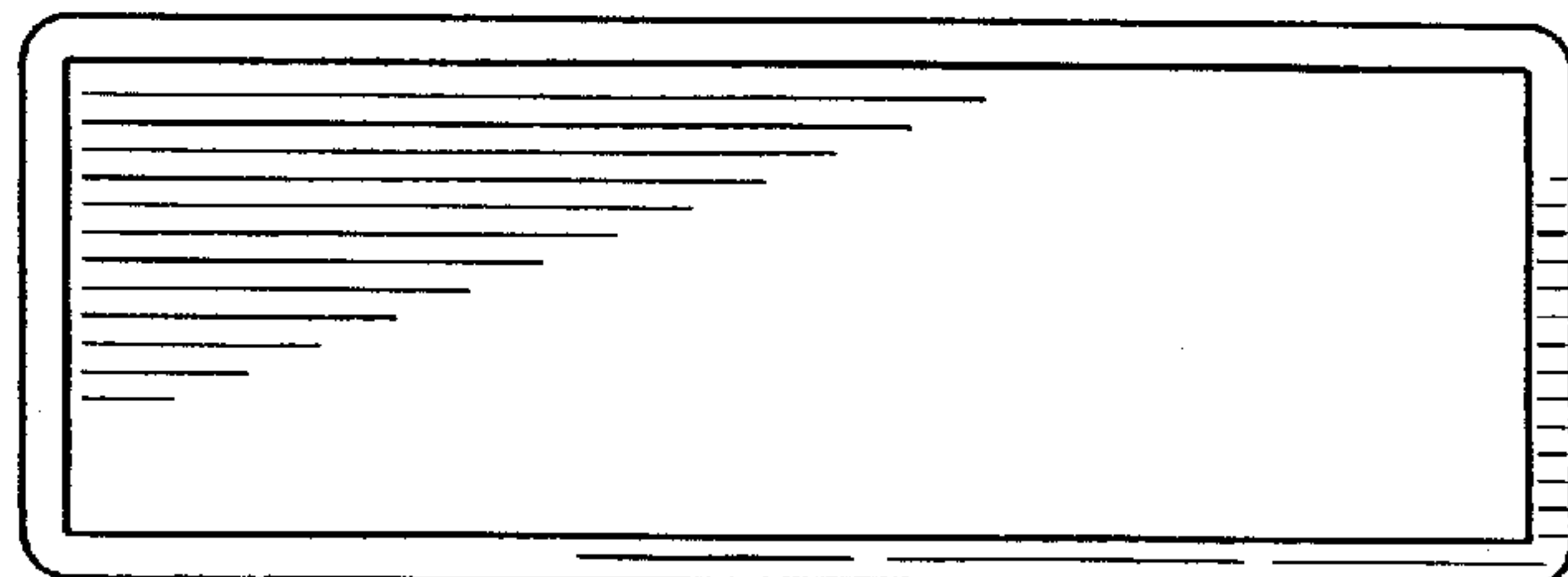
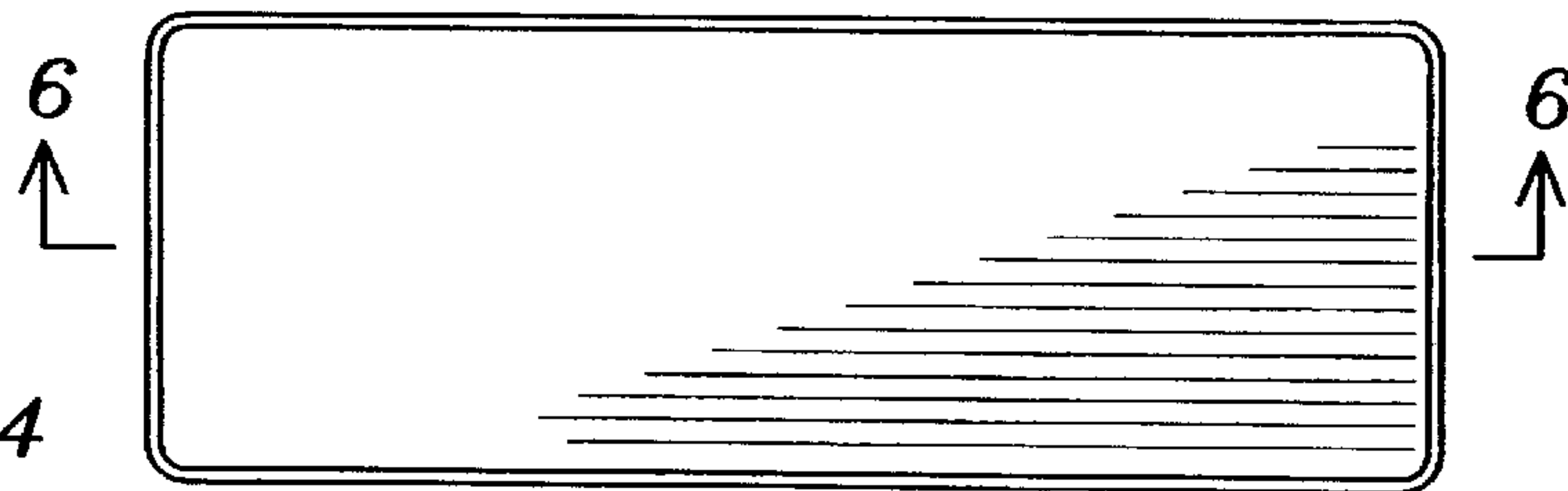


FIG. 5

FIG. 6



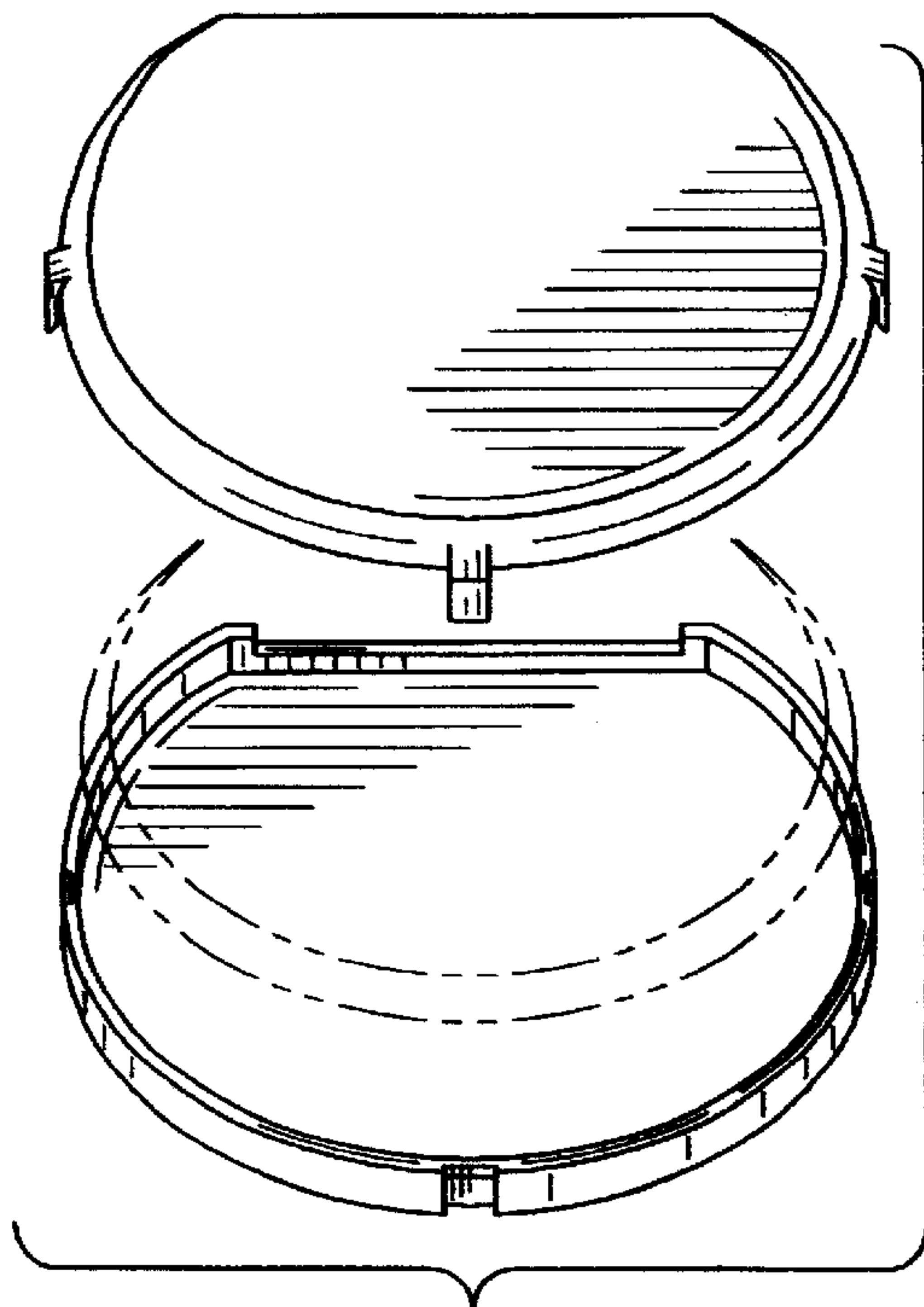


FIG. 7

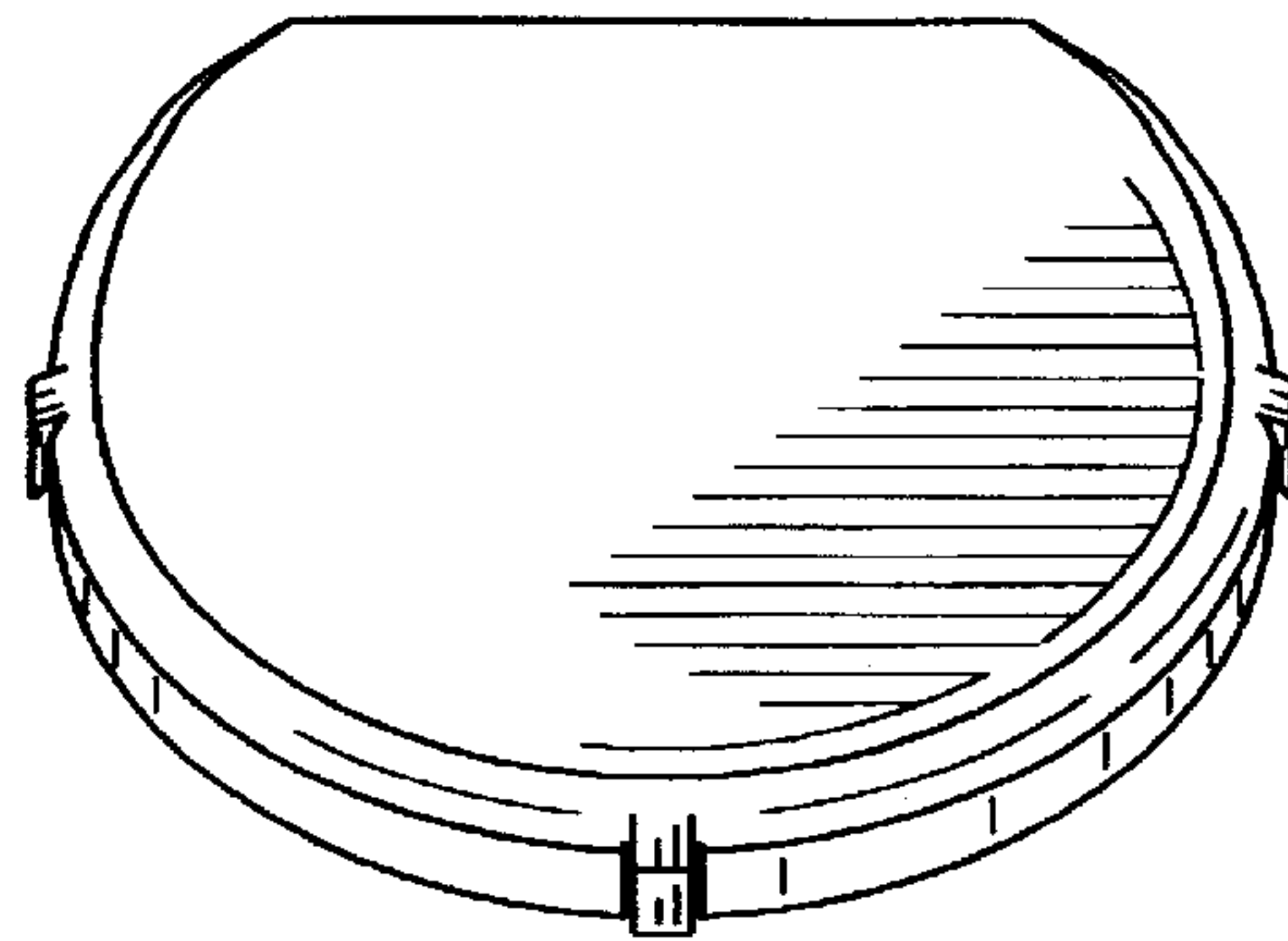


FIG. 8



FIG. 9

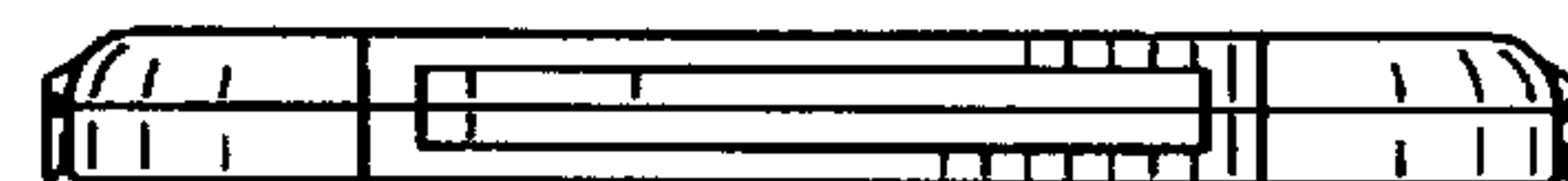


FIG. 10



FIG. 11

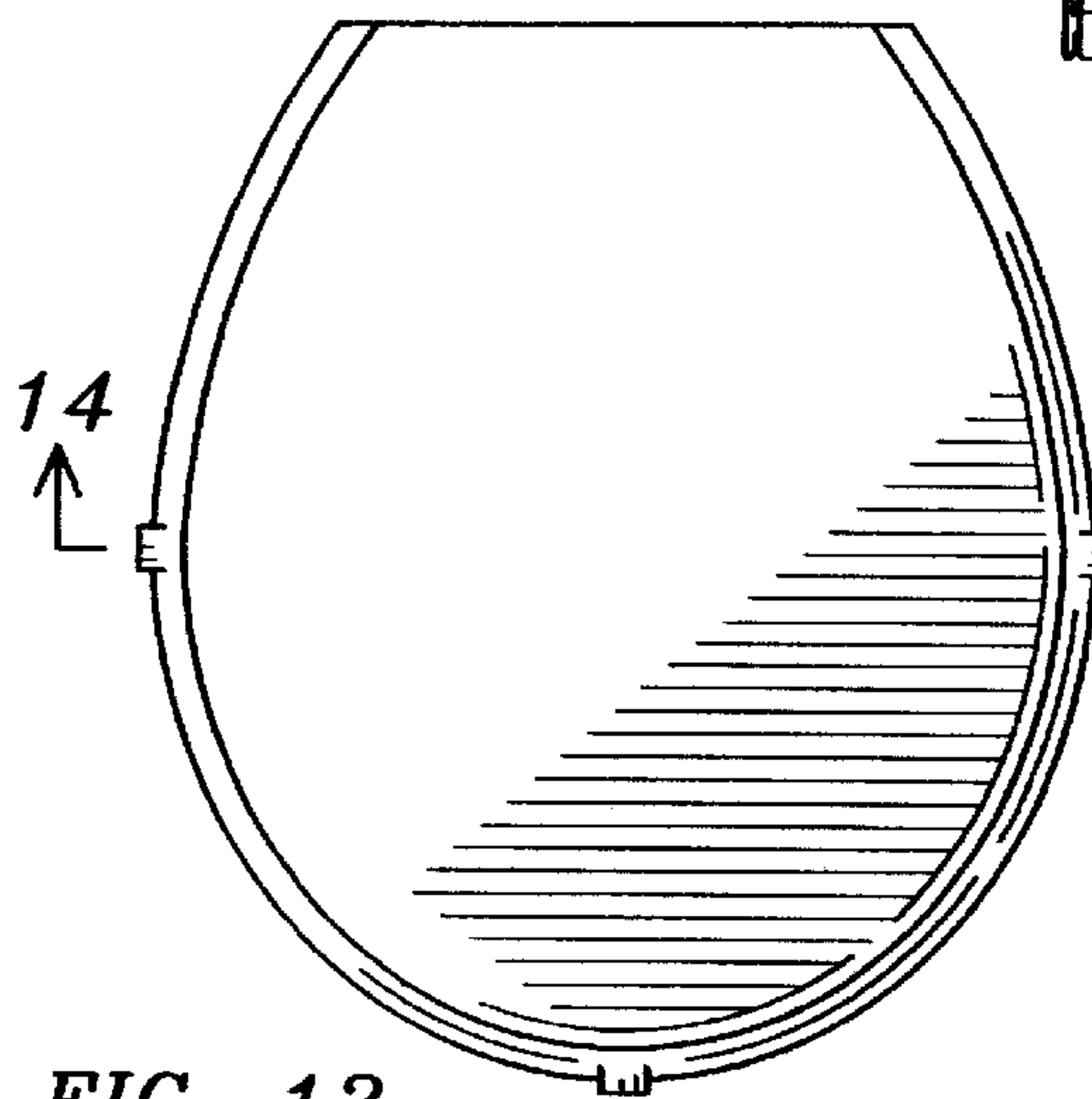


FIG. 12

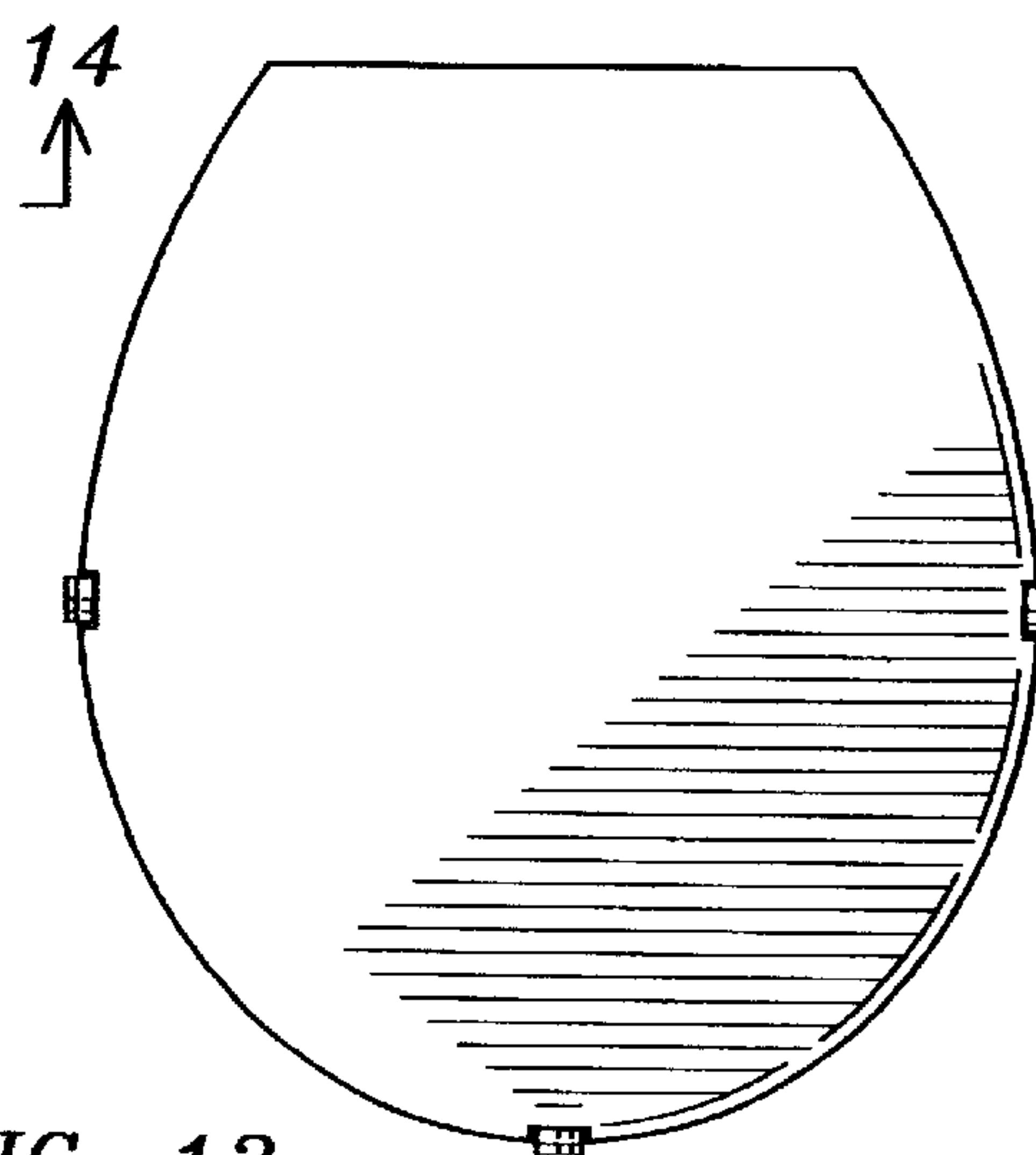


FIG. 13

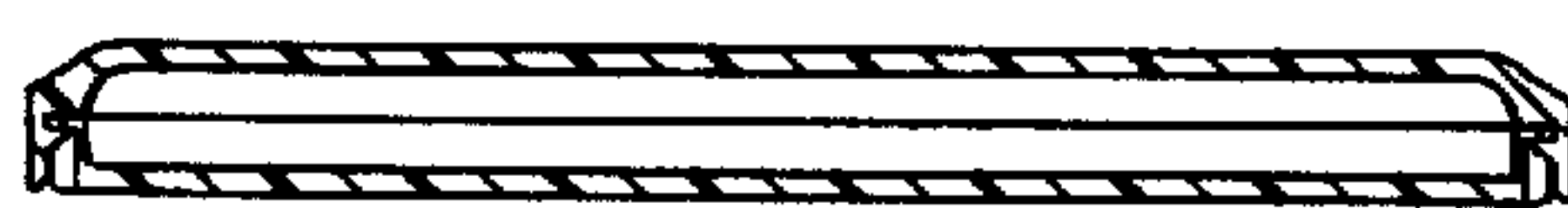


FIG. 14

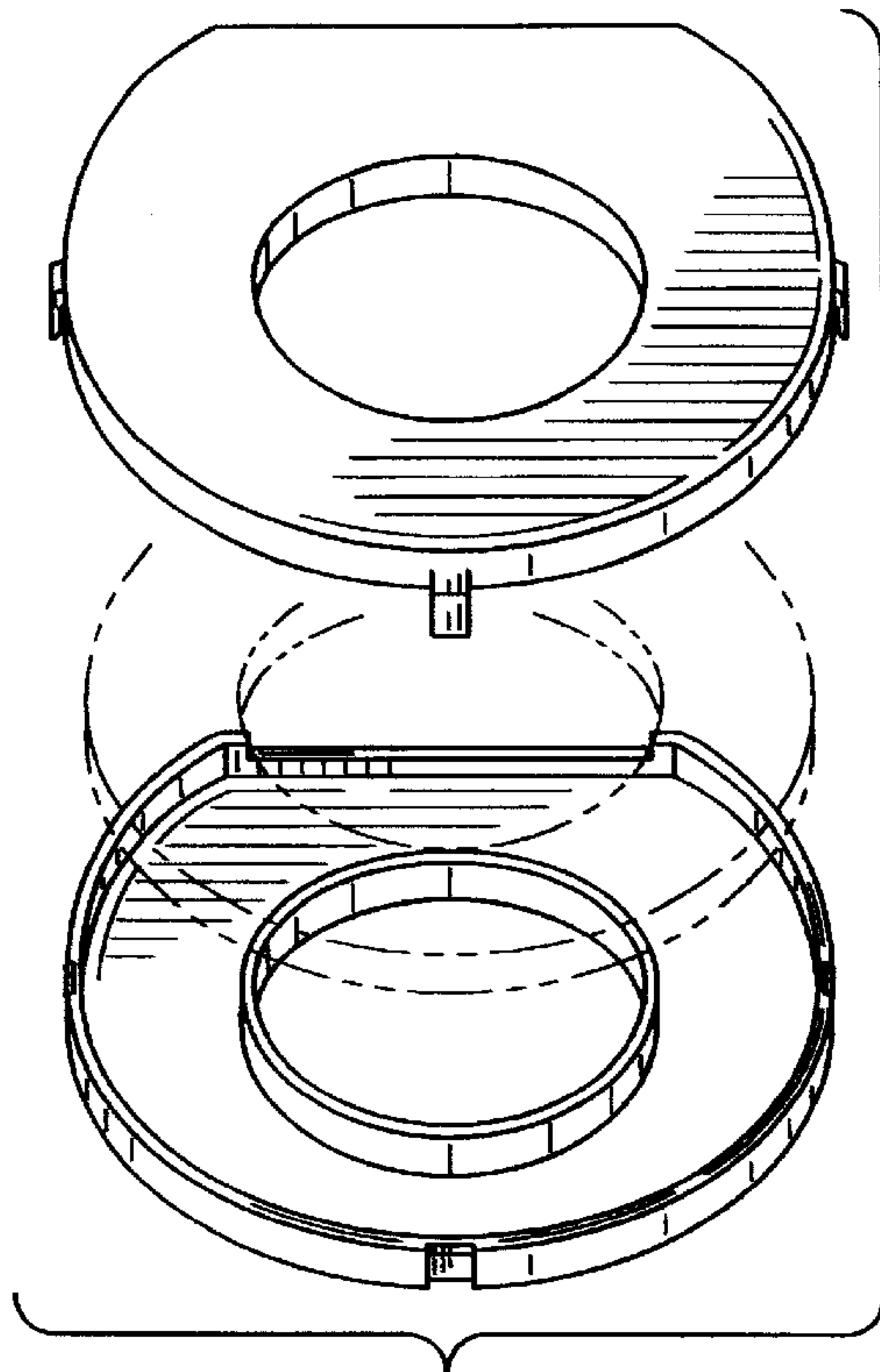


FIG. 15

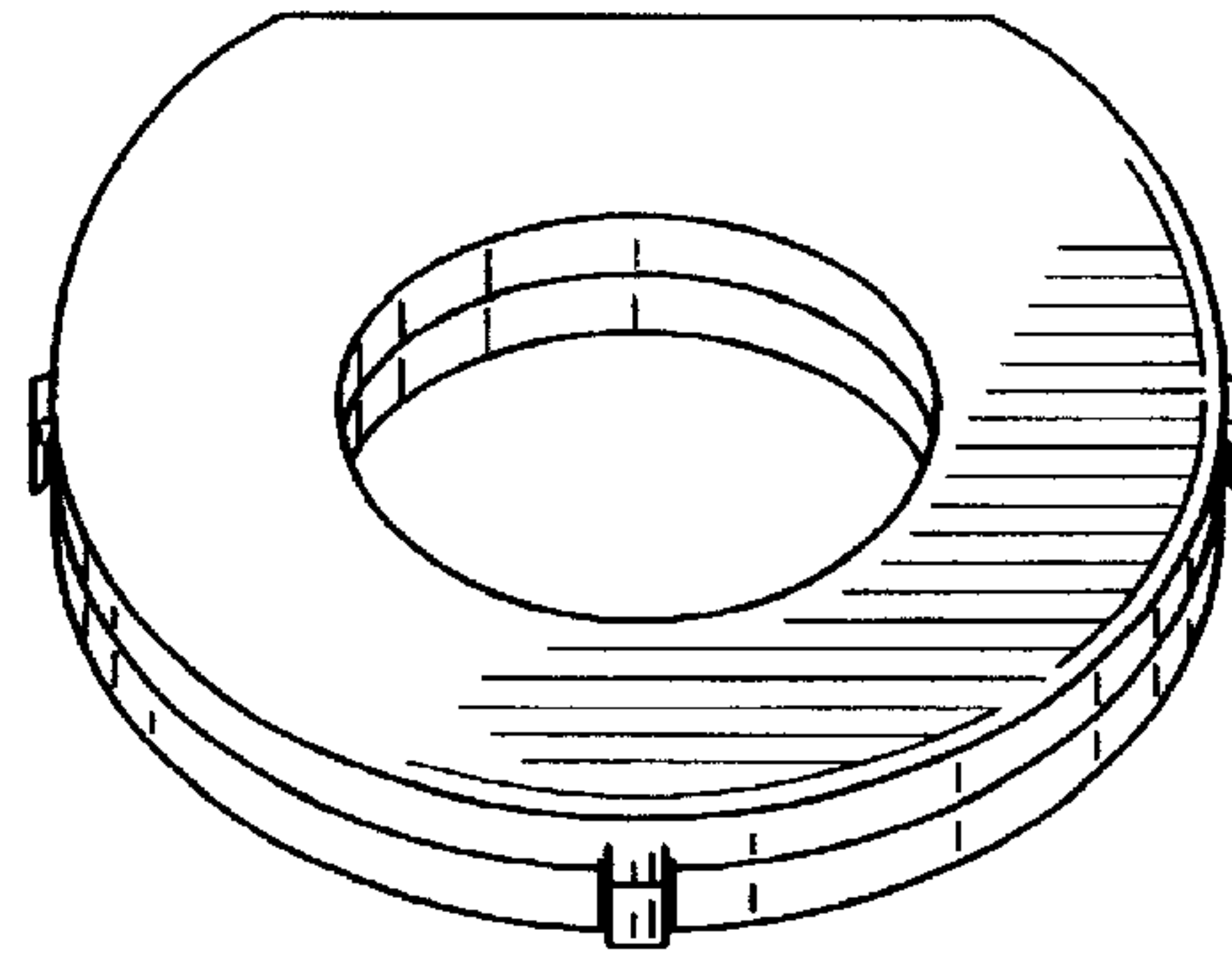


FIG. 16



FIG. 17

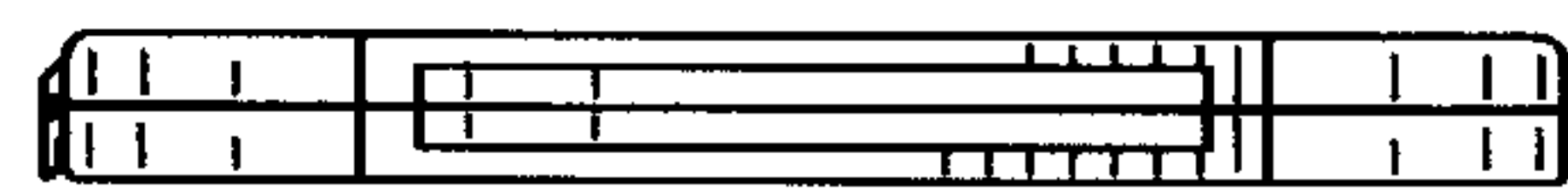


FIG. 18



FIG. 19

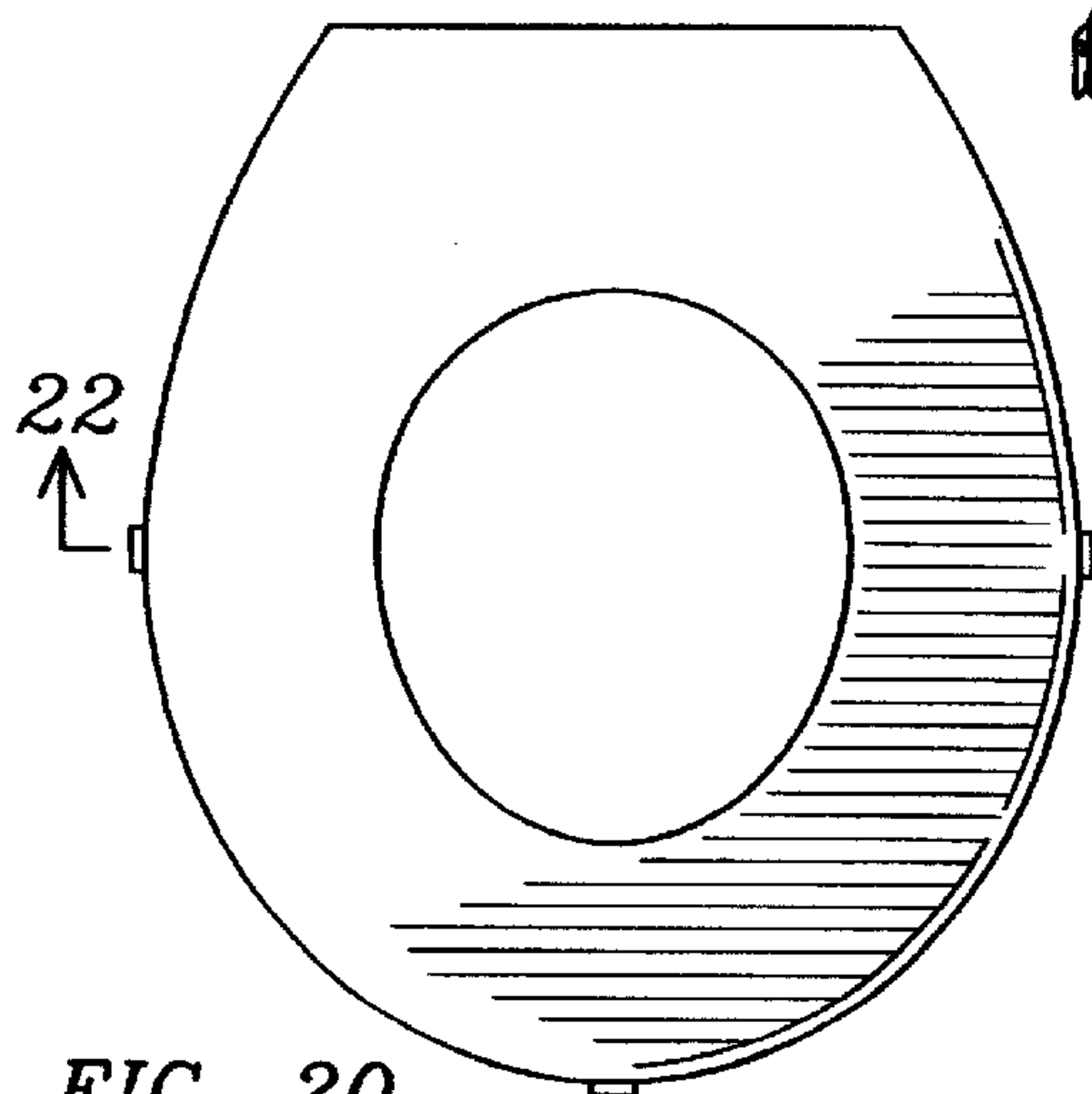


FIG. 20

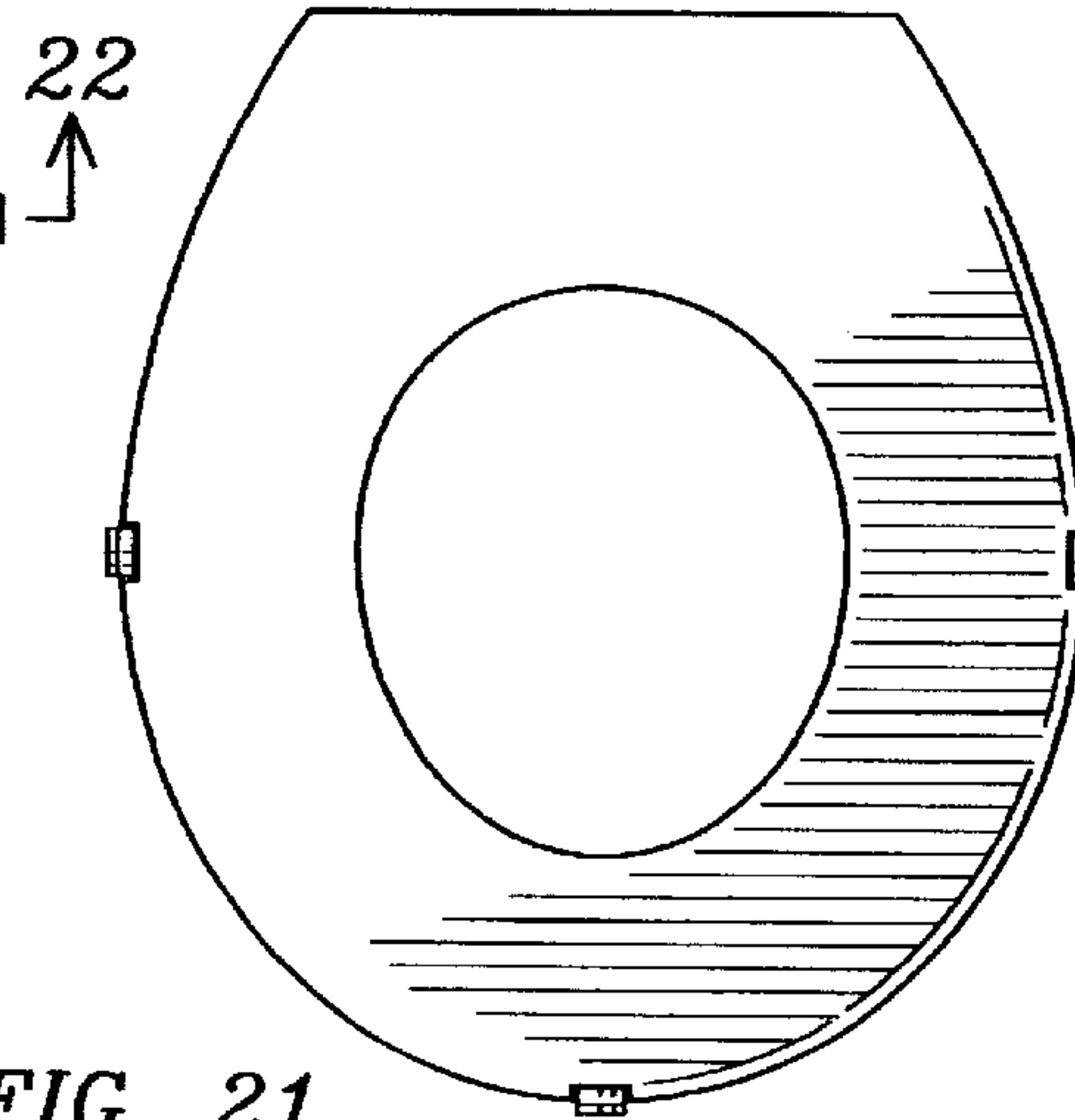


FIG. 21



FIG. 22