



US00D521615S

(12) **United States Design Patent**
Cen et al.

(10) **Patent No.:** **US D521,615 S**

(45) **Date of Patent:** **** May 23, 2006**

(54) **COMBINED PAIR OF FAUCETS AND SINK**

D464,403 S * 10/2002 Haug et al. D23/238

(75) Inventors: **Chen Cen**, Taichung (TW); **Tan Wan-Hong**, Taichung (TW)

* cited by examiner

(73) Assignee: **Globe Union Industrial Corp.**, Taichung (TW)

Primary Examiner—Louis S. Zarfes

Assistant Examiner—Gregory Andoll

(74) *Attorney, Agent, or Firm*—Troxell Law Office, PLLC

(**) Term: **14 Years**

(57) **CLAIM**

The ornamental design for combined pair of faucets and sink, as shown and described.

(21) Appl. No.: **29/204,499**

(22) Filed: **Apr. 30, 2004**

DESCRIPTION

(51) **LOC (8) Cl.** **23-02**

FIG. 1 is a top, left, front, perspective view of combined pair of faucets and sink showing my new design;

(52) **U.S. Cl.** **D23/289**; D23/291; D23/238; D23/241; D23/242

FIG. 2 is a front elevational view thereof;

(58) **Field of Classification Search** D23/238–257, D23/284, 289, 291; 4/675–678; 137/801
See application file for complete search history.

FIG. 3 is a rear elevational view thereof;

FIG. 4 is a left elevational view thereof;

FIG. 5 is a right elevational view thereof;

FIG. 6 is a top plan view thereof; and,

FIG. 7 is a bottom plan view thereof.

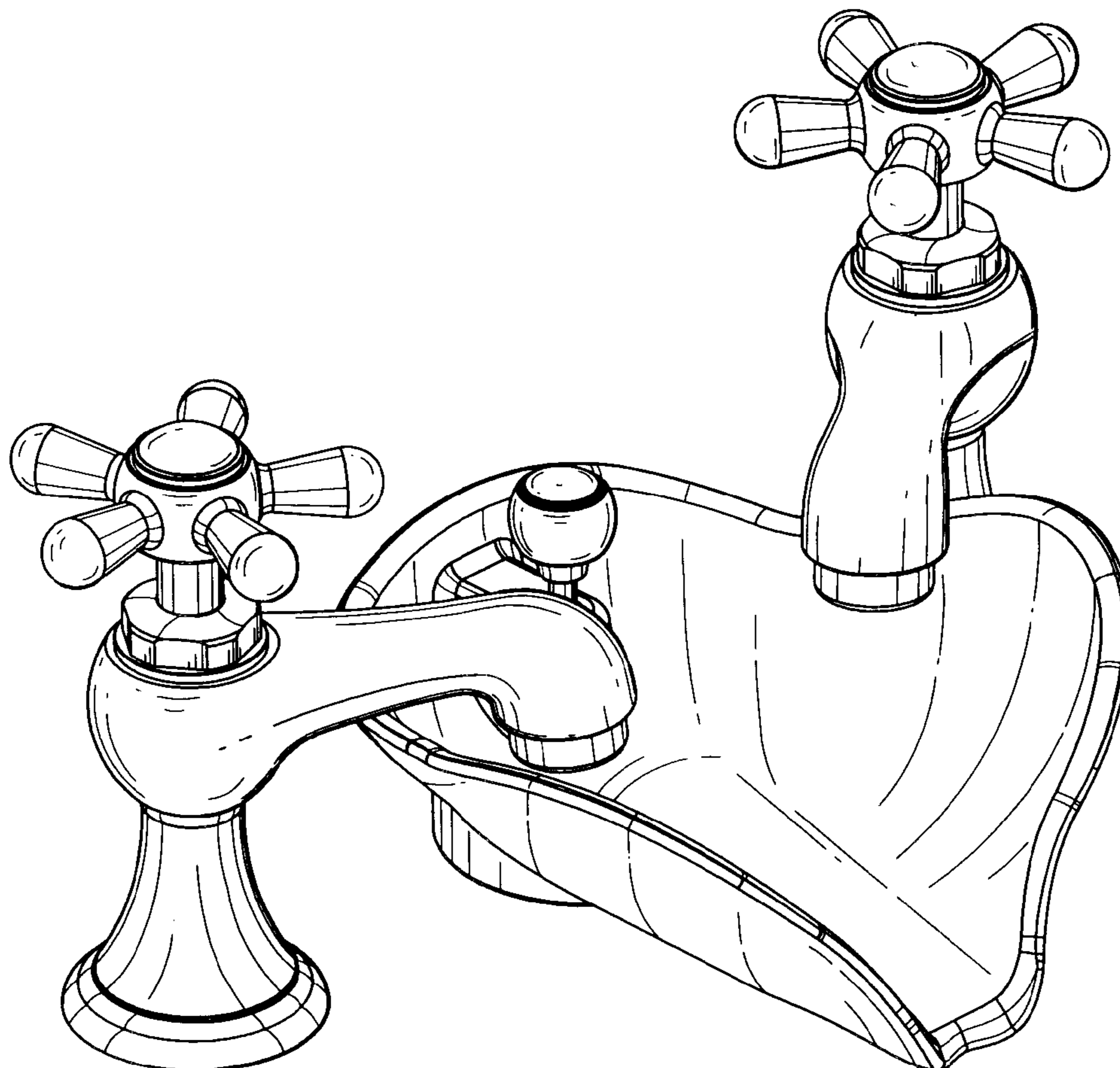
The broken lines in the figures are for illustrative purposes only and form no part of the claimed design.

(56) **References Cited**

U.S. PATENT DOCUMENTS

923,447 A * 6/1909 Schmidt D23/238
D307,465 S * 4/1990 Phillips D23/289

1 Claim, 4 Drawing Sheets



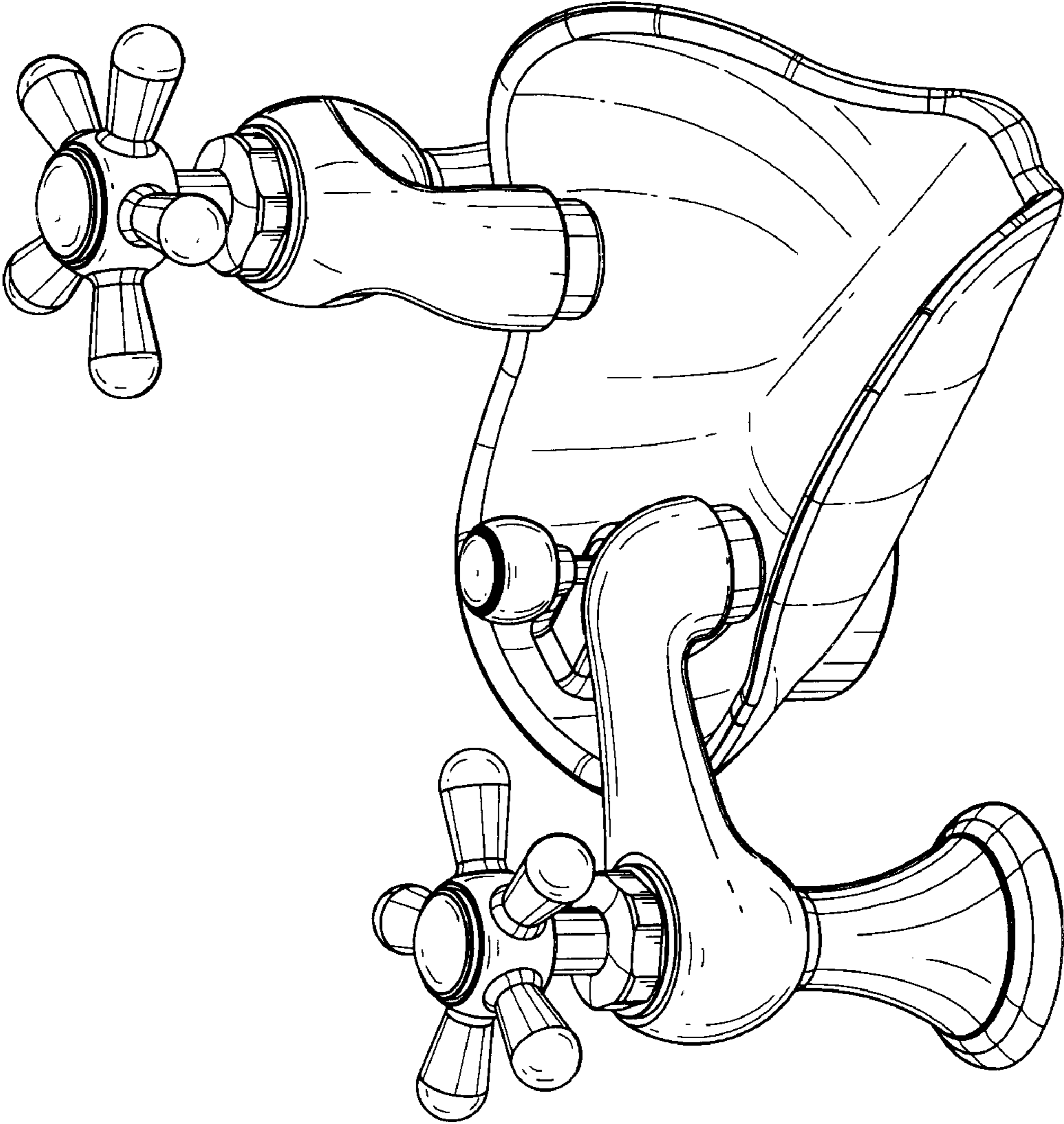


FIG. 1

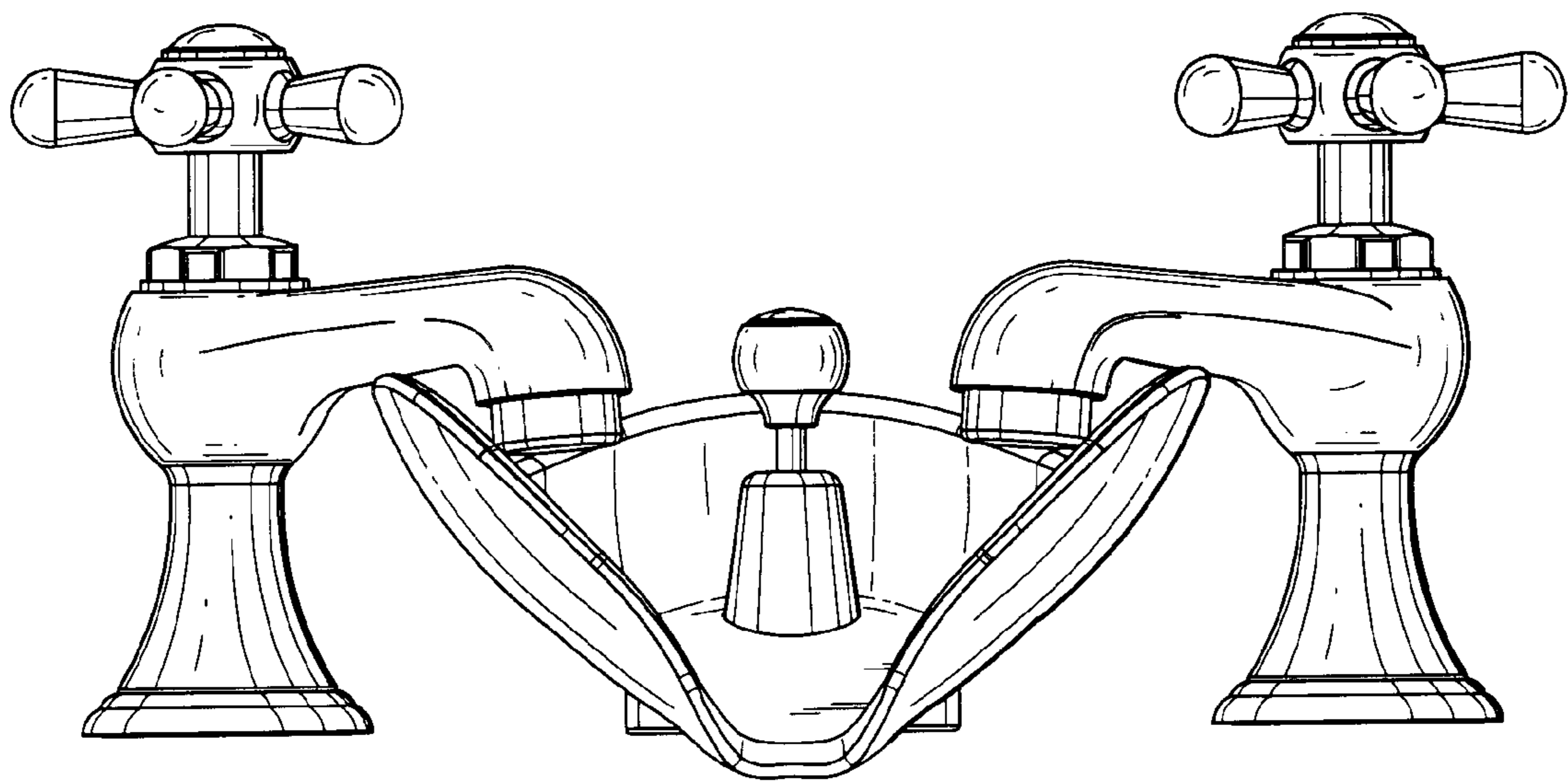


FIG. 2

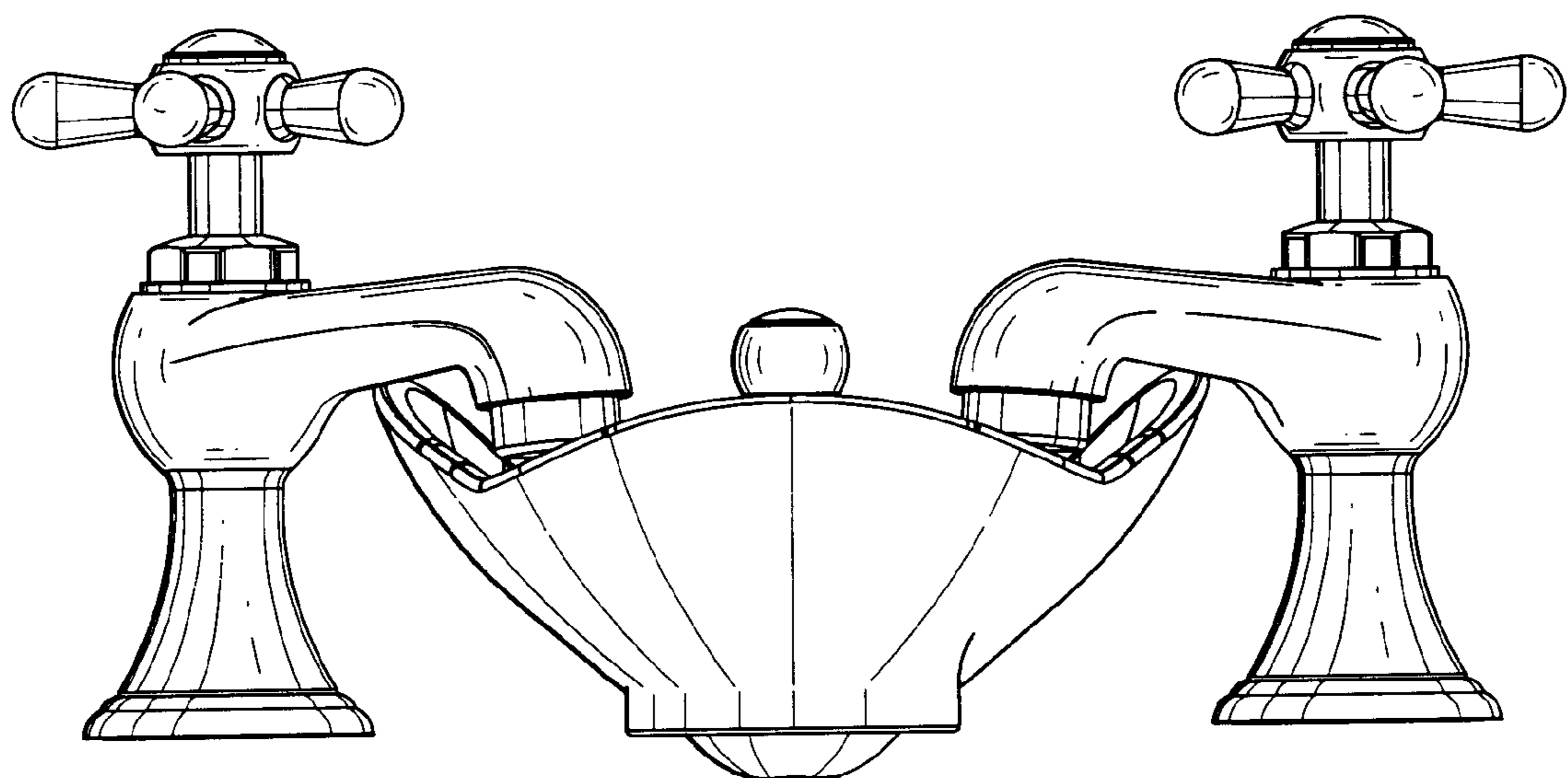


FIG. 3

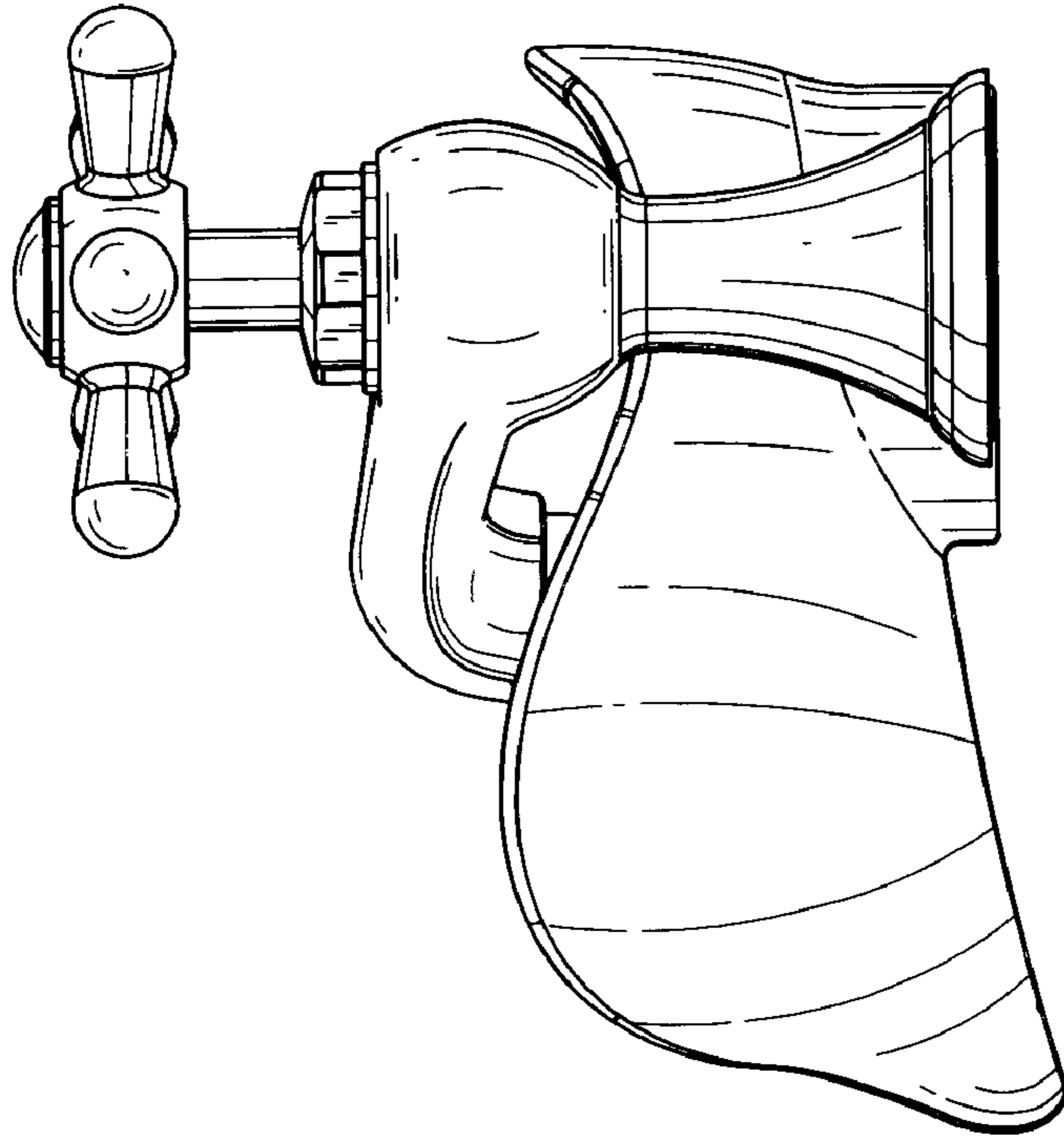


FIG. 5

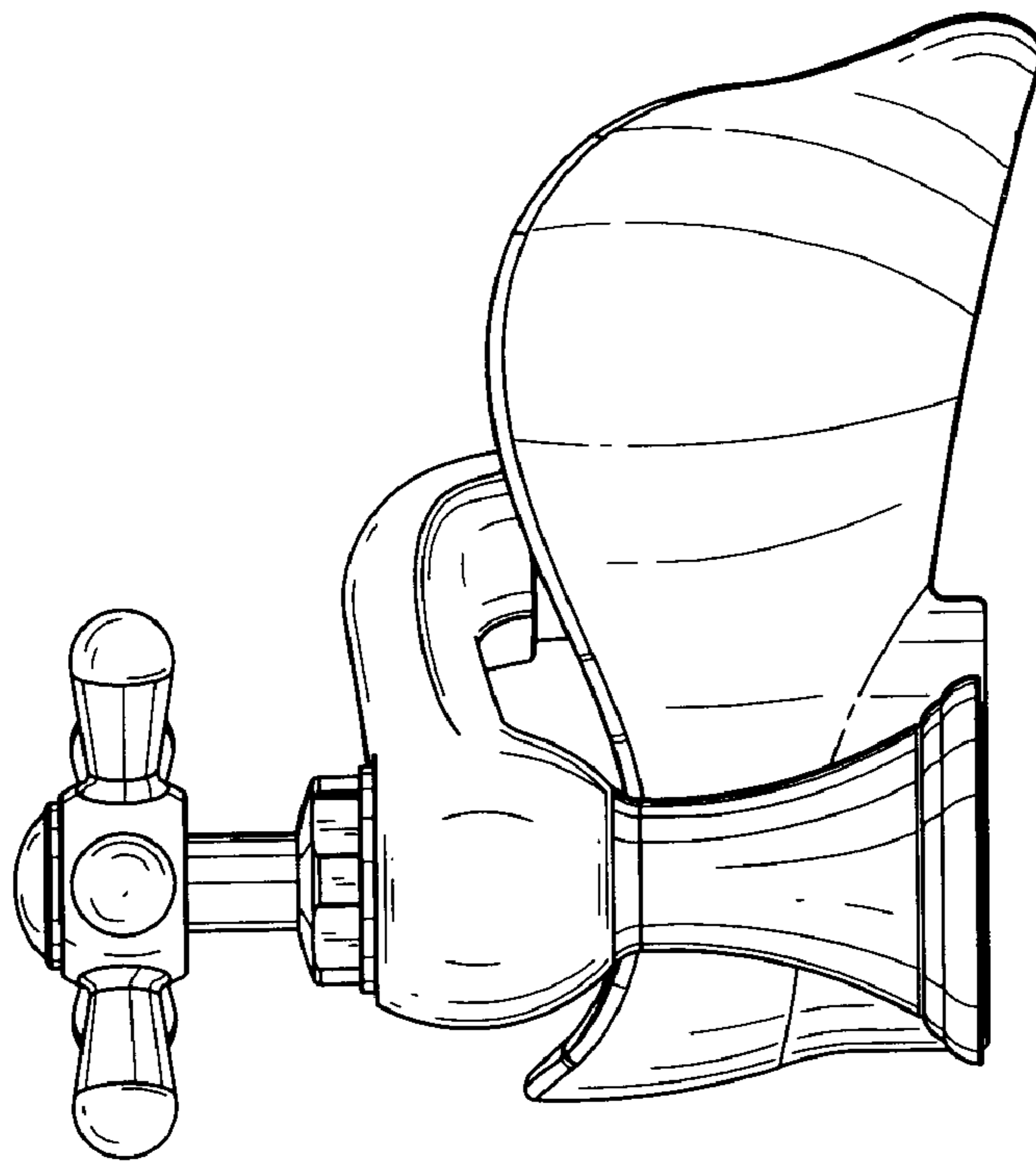


FIG. 4

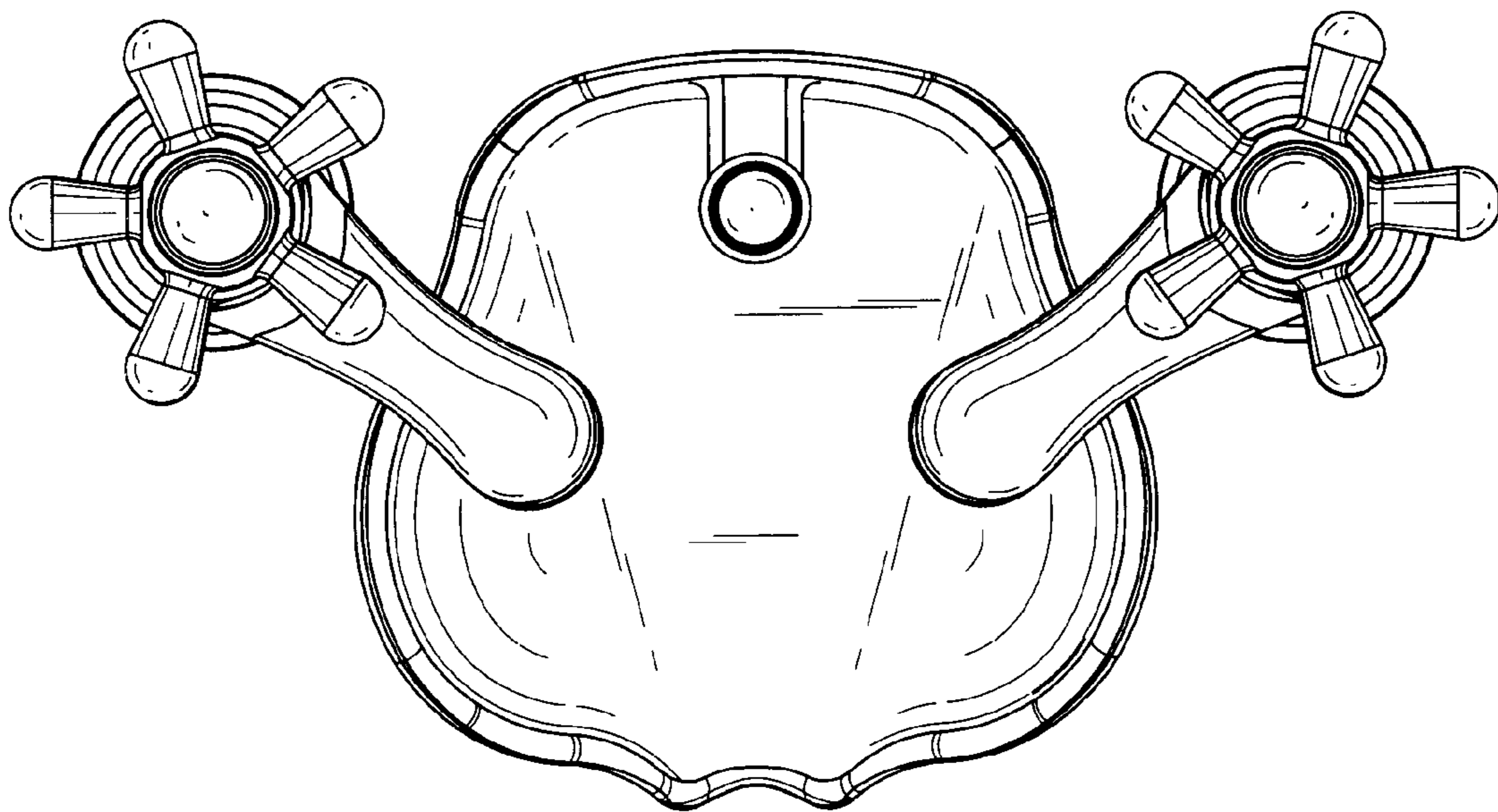


FIG. 6

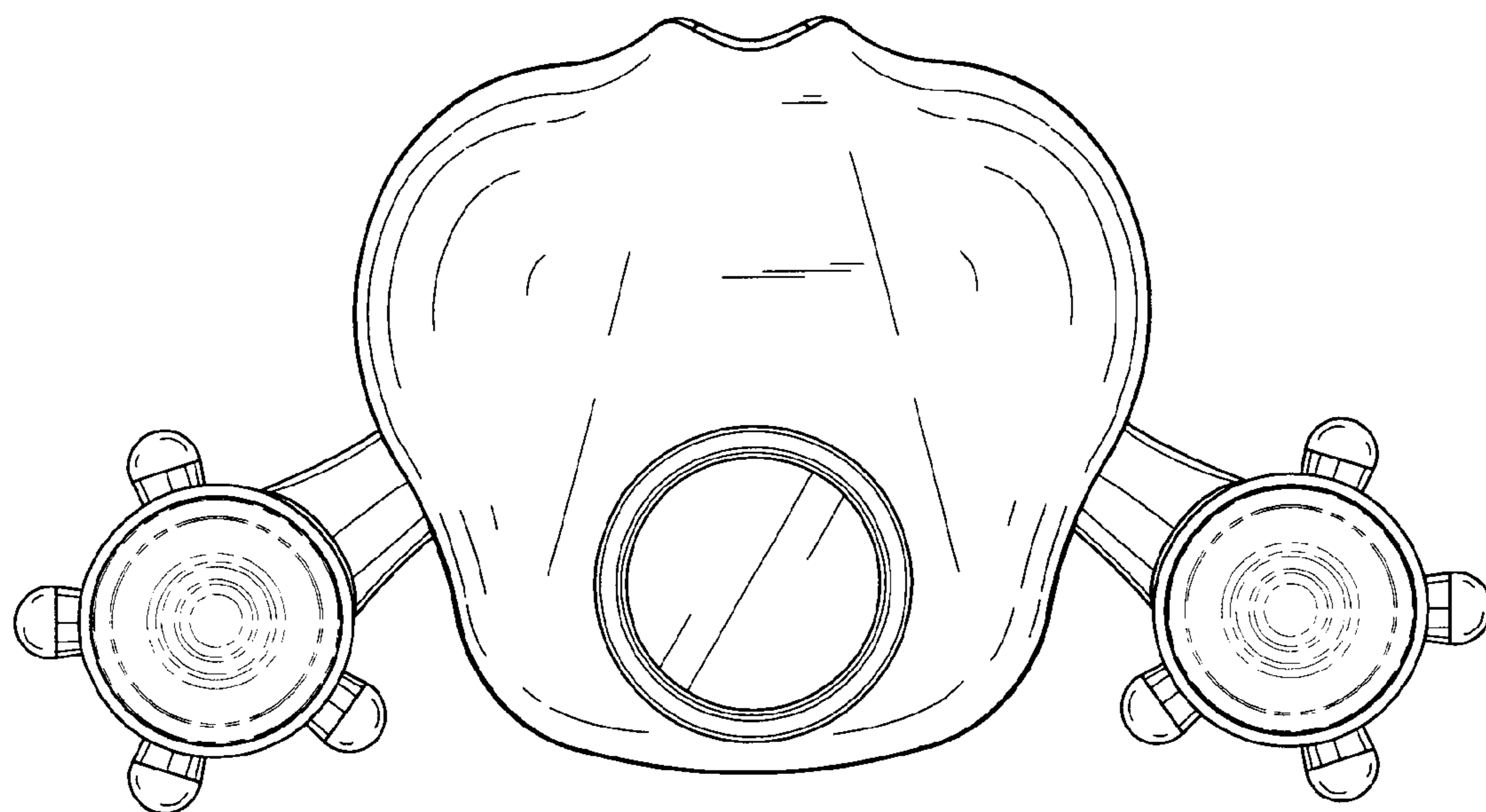


FIG. 7