



US00D521612S

(12) **United States Design Patent**  
**Fritz**

(10) **Patent No.:** **US D521,612 S**

(45) **Date of Patent:** **\*\* May 23, 2006**

(54) **FAUCET SPOUT**

D461,540 S \* 8/2002 Gottwald ..... D23/255  
D472,308 S \* 3/2003 Hundley ..... D23/255

(75) Inventor: **Seth A. Fritz**, Kendallville, IN (US)

\* cited by examiner

(73) Assignee: **Masco Corporation of Indiana**,  
Indianapolis, IN (US)

*Primary Examiner*—Louis S. Zarfes

*Assistant Examiner*—G. Andoll

(\*\*) Term: **14 Years**

(74) *Attorney, Agent, or Firm*—Kwadjo Adusei-Poku;  
Lloyd D. Doigan

(21) Appl. No.: **29/220,094**

(57) **CLAIM**

(22) Filed: **Dec. 23, 2004**

The ornamental design for a faucet spout, as shown and described.

(51) **LOC (8) Cl.** ..... **23-01**

**DESCRIPTION**

(52) **U.S. Cl.** ..... **D23/255**; D23/257

(58) **Field of Classification Search** ..... D23/238–257;  
4/675–678; 137/801  
See application file for complete search history.

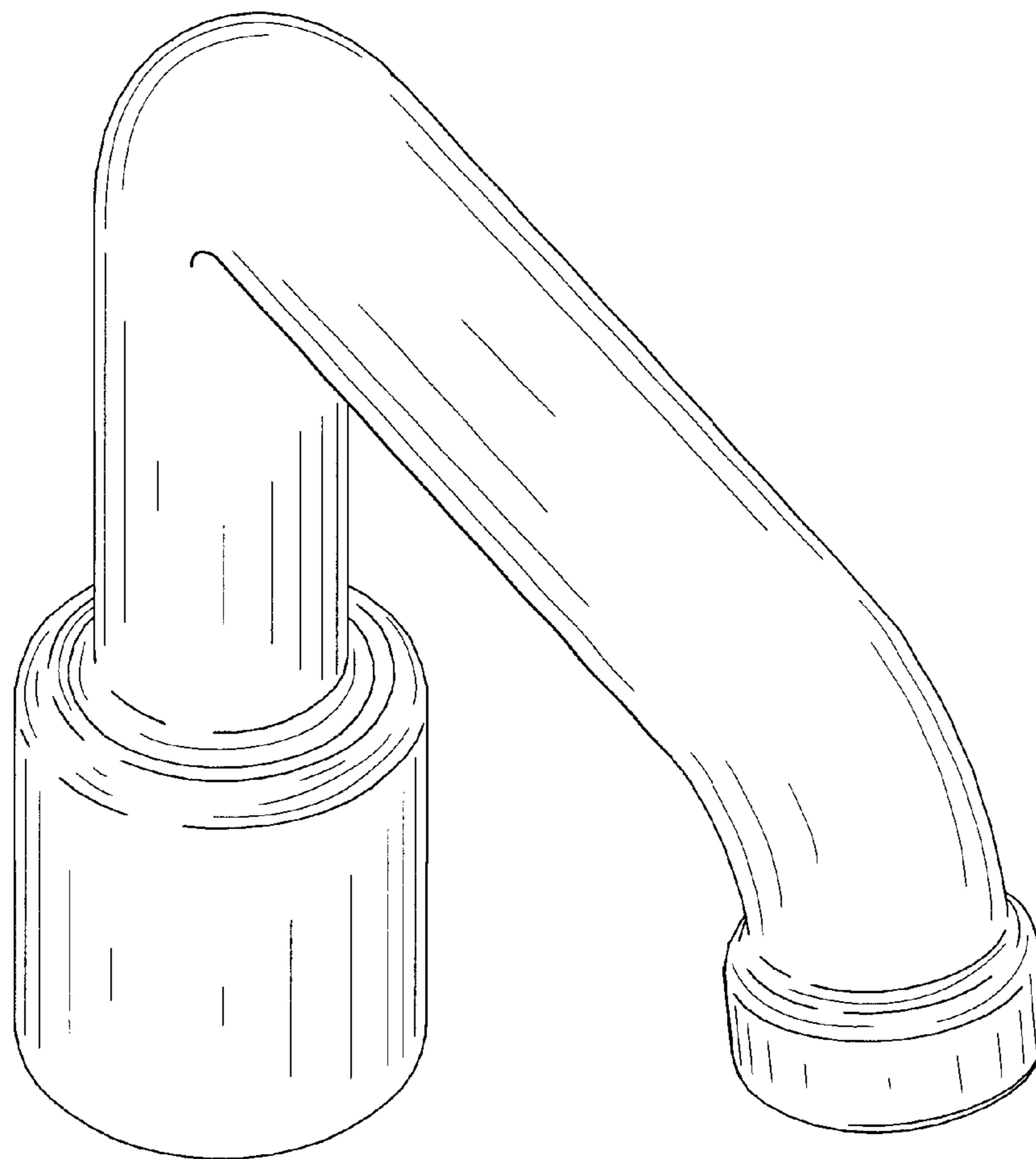
FIG. 1 is a front perspective view of a faucet spout showing my design;  
FIG. 2 is a front elevational view thereof;  
FIG. 3 is a rear elevational view thereof;  
FIG. 4 is a right side elevational view thereof, the left side elevational view being a mirror image thereof;  
FIG. 5 is a top plan view thereof; and,  
FIG. 6 is a rear perspective view thereof.  
The broken lines in the Figures are for illustrative purposes only and form no part of the claimed design.

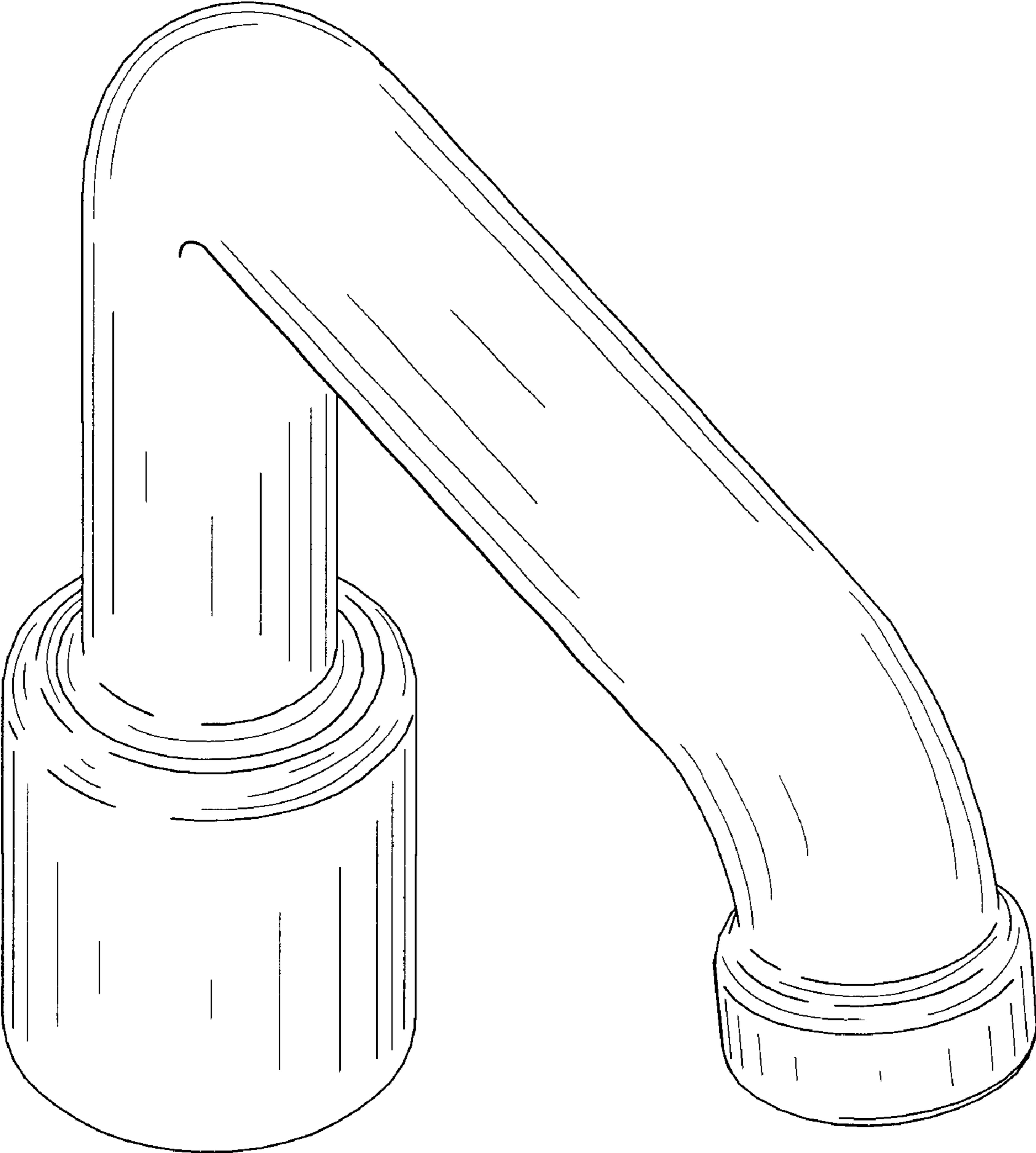
(56) **References Cited**

**U.S. PATENT DOCUMENTS**

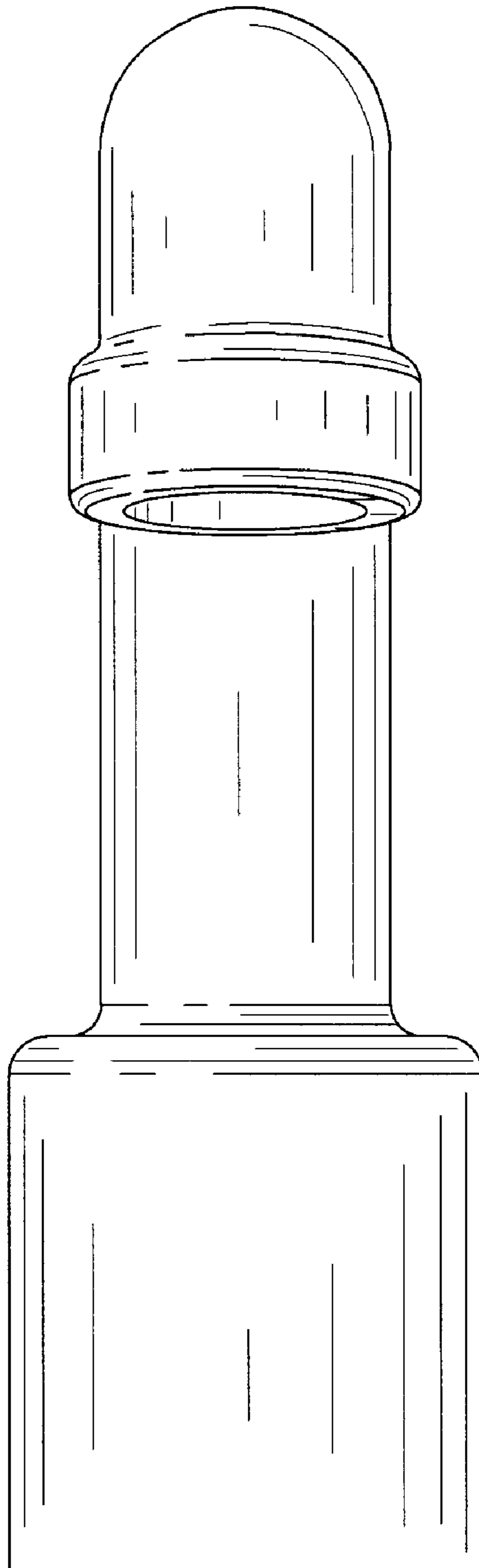
D267,110 S \* 11/1982 Arnolds ..... D23/242  
D322,658 S \* 12/1991 Kohler et al. .... D23/255  
D406,323 S \* 3/1999 Snyder ..... D23/255

**1 Claim, 6 Drawing Sheets**

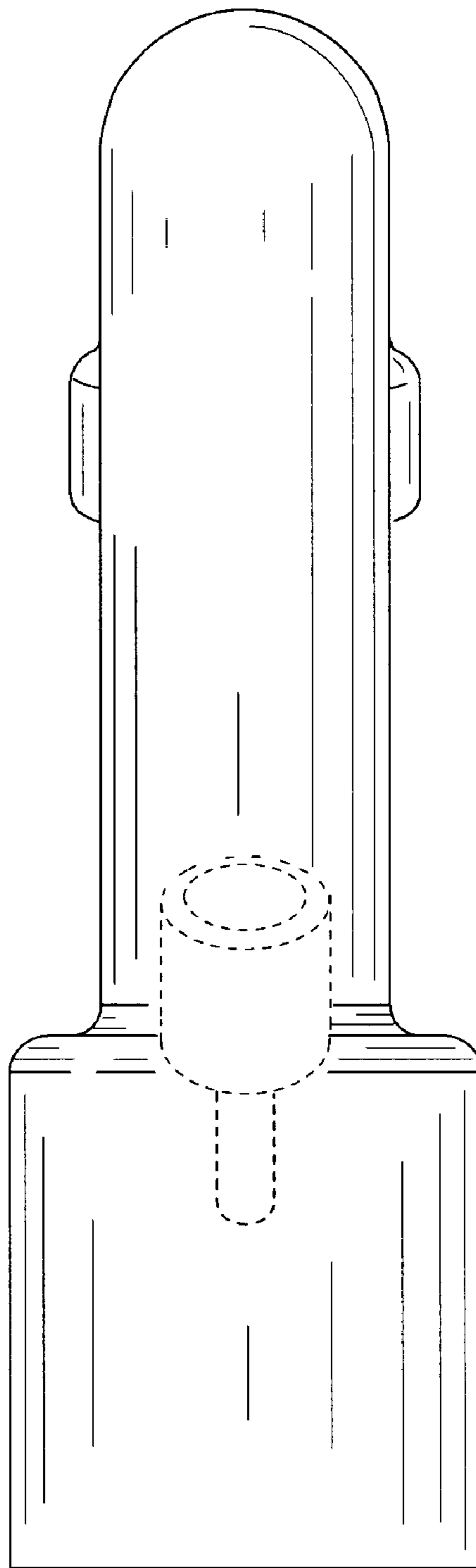




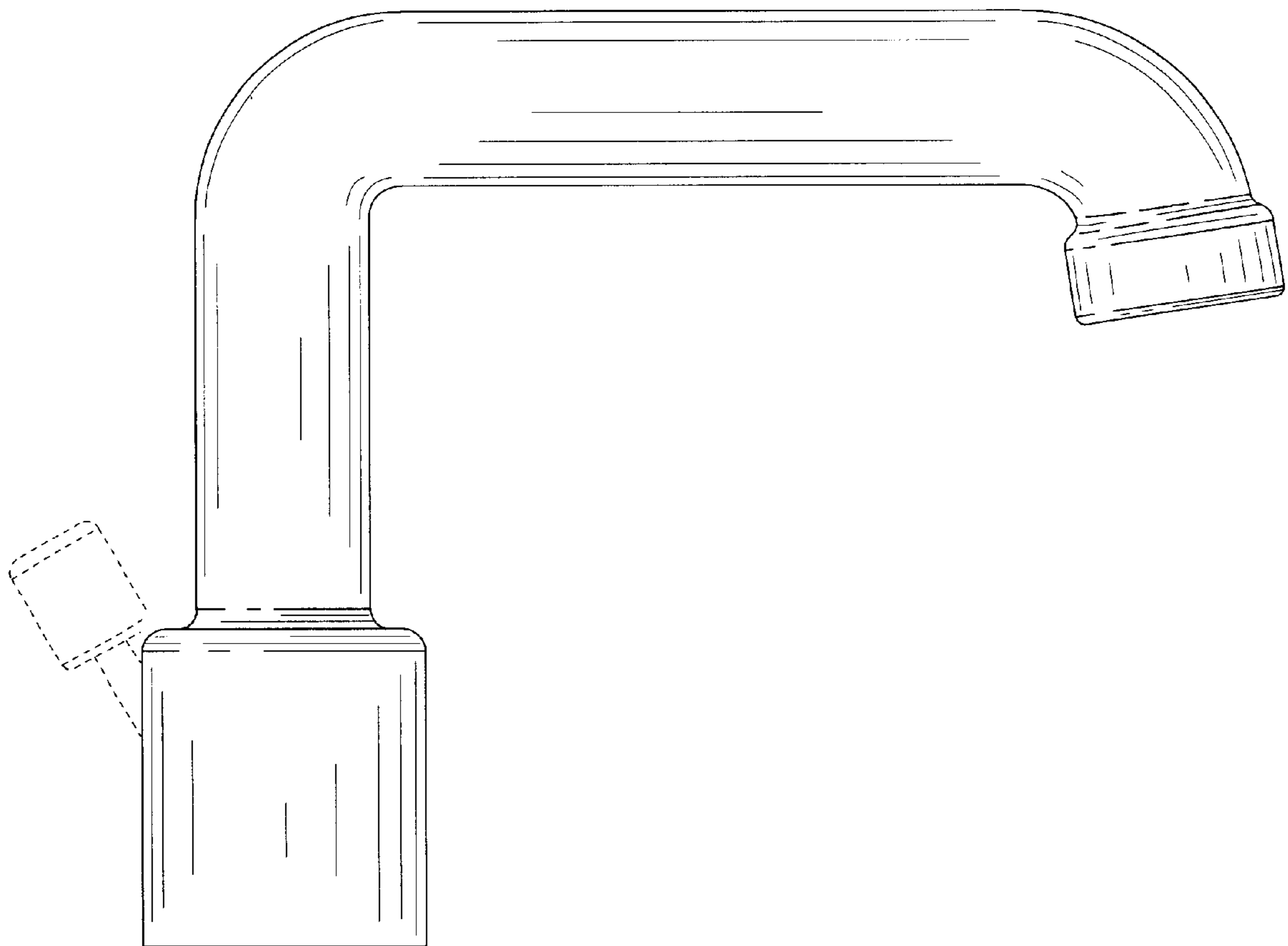
**FIG. 1**



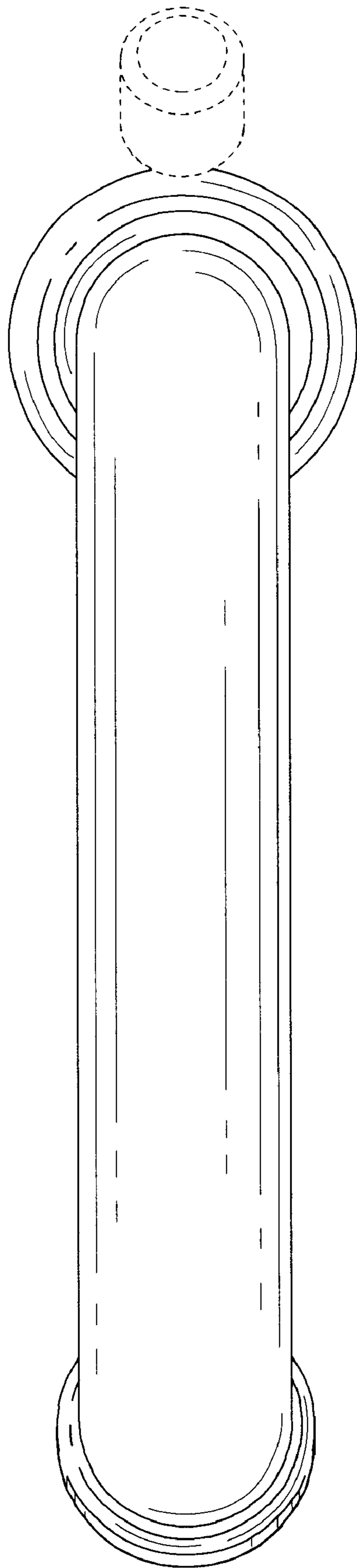
**FIG. 2**



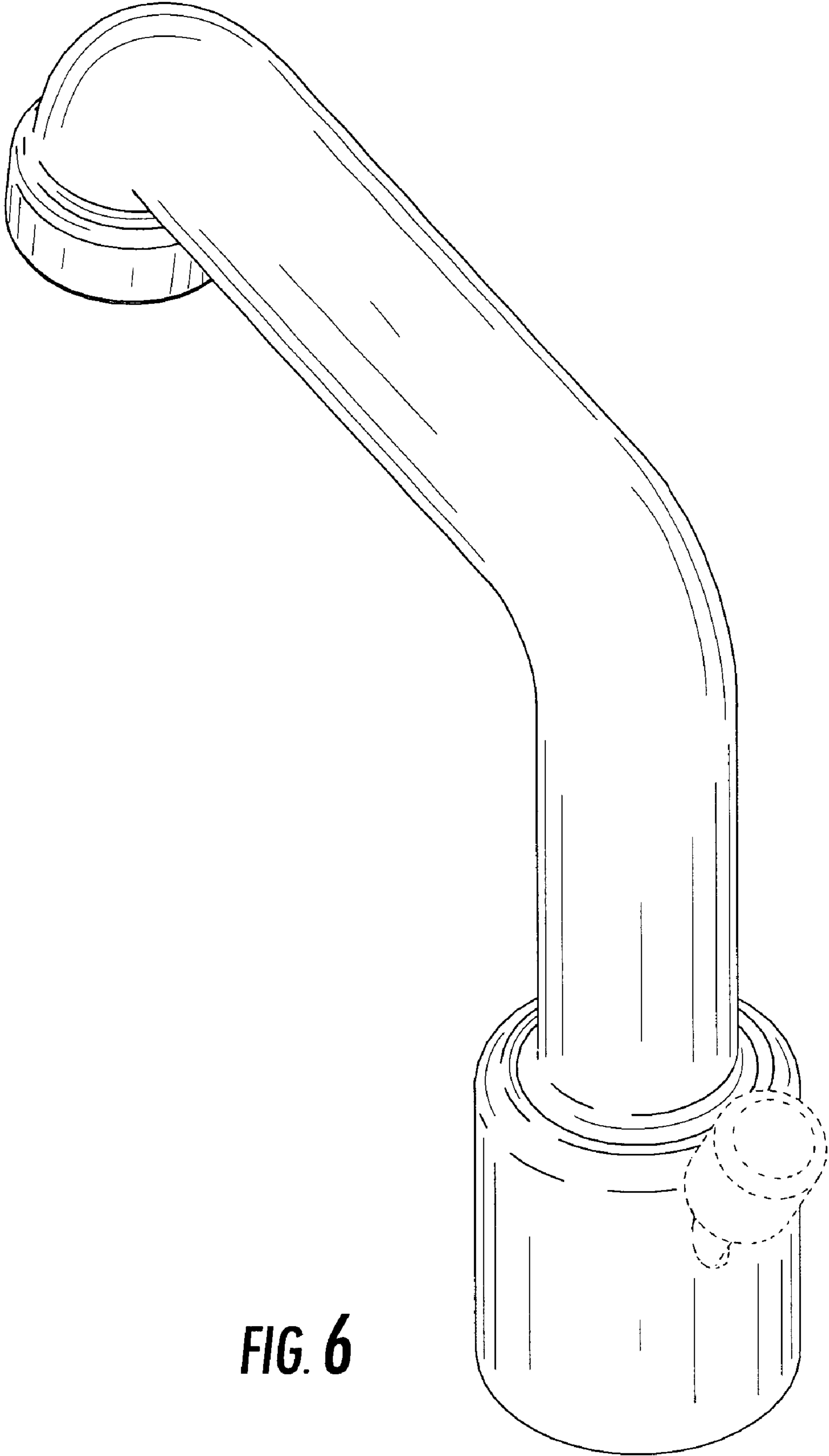
**FIG. 3**



**FIG. 4**



**FIG. 5**



**FIG. 6**