

US00D521602S

(12) **United States Design Patent**
En-Min et al.

(10) **Patent No.:** **US D521,602 S**

(45) **Date of Patent:** **** May 23, 2006**

(54) **FAUCET**

D461,532 S * 8/2002 Ouyoung D23/242
D463,007 S * 9/2002 Lord D23/241
D469,854 S * 2/2003 Ouyoung D23/242

(75) Inventors: **Cao En-Min**, Taichung (TW); **Tan Wan-Hong**, Taichung (TW)

* cited by examiner

(73) Assignee: **Globe Union Industrial Corp.**, Taichung (TW)

Primary Examiner—Louis S. Zarfaz

Assistant Examiner—Gregory Andoll

(**) Term: **14 Years**

(74) *Attorney, Agent, or Firm*—Troxell Law Office, PLLC

(21) Appl. No.: **29/204,516**

(57) **CLAIM**

(22) Filed: **Apr. 30, 2004**

The ornamental design for faucet, as shown and described.

(51) **LOC (8) Cl.** **23-01**

DESCRIPTION

(52) **U.S. Cl.** **D23/241; D23/242**

FIG. 1 is a top, left, front, perspective view of faucet showing my new design;

(58) **Field of Classification Search** D23/238–257;

FIG. 2 is a front elevational view thereof;

4/675–678; 137/801

FIG. 3 is a rear elevational view thereof;

See application file for complete search history.

FIG. 4 is a left elevational view thereof;

FIG. 5 is a right elevational view thereof; and,

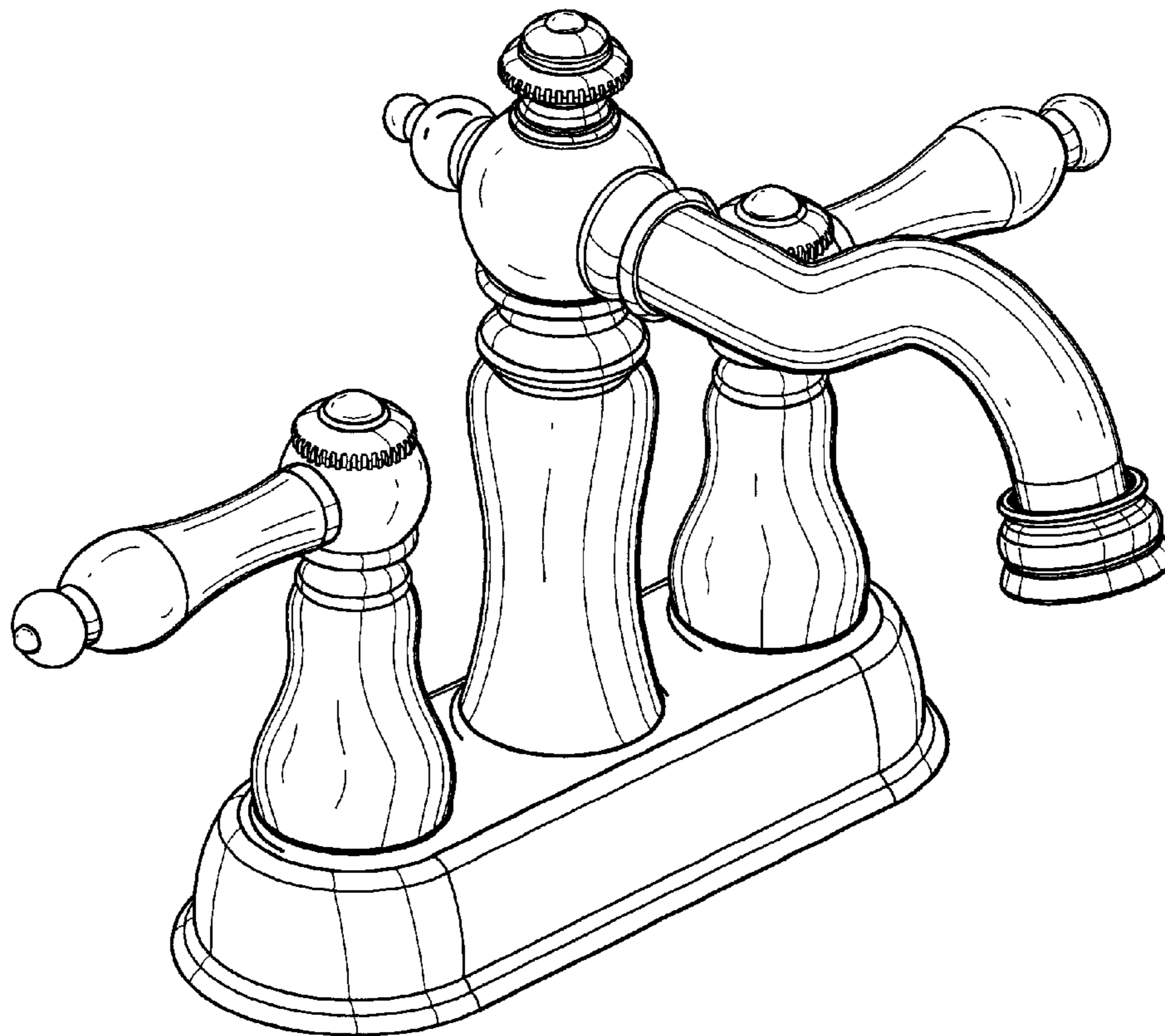
FIG. 6 is a top plan view thereof.

(56) **References Cited**

U.S. PATENT DOCUMENTS

D461,531 S * 8/2002 Ouyoung D23/242

1 Claim, 4 Drawing Sheets



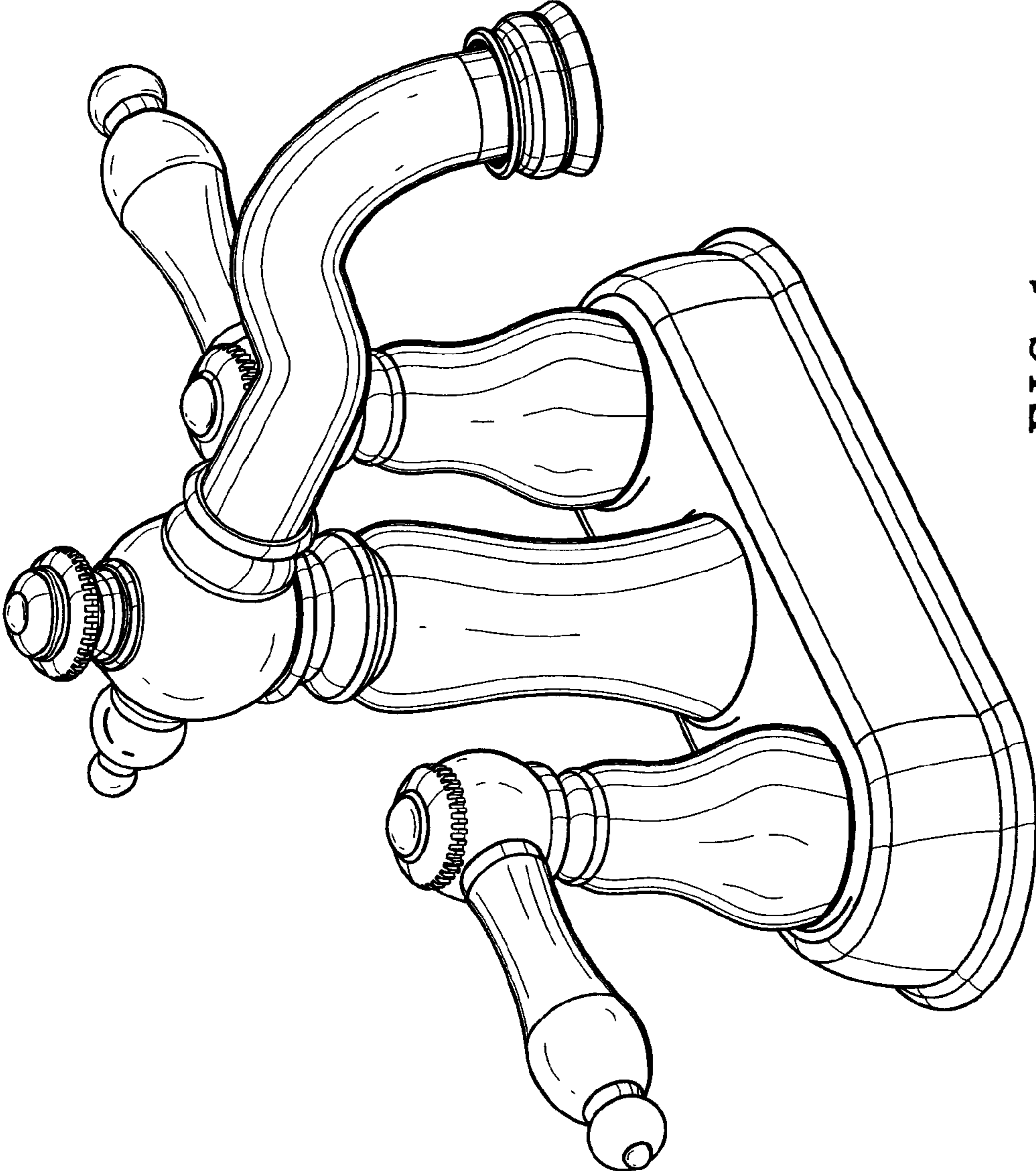


FIG. 1

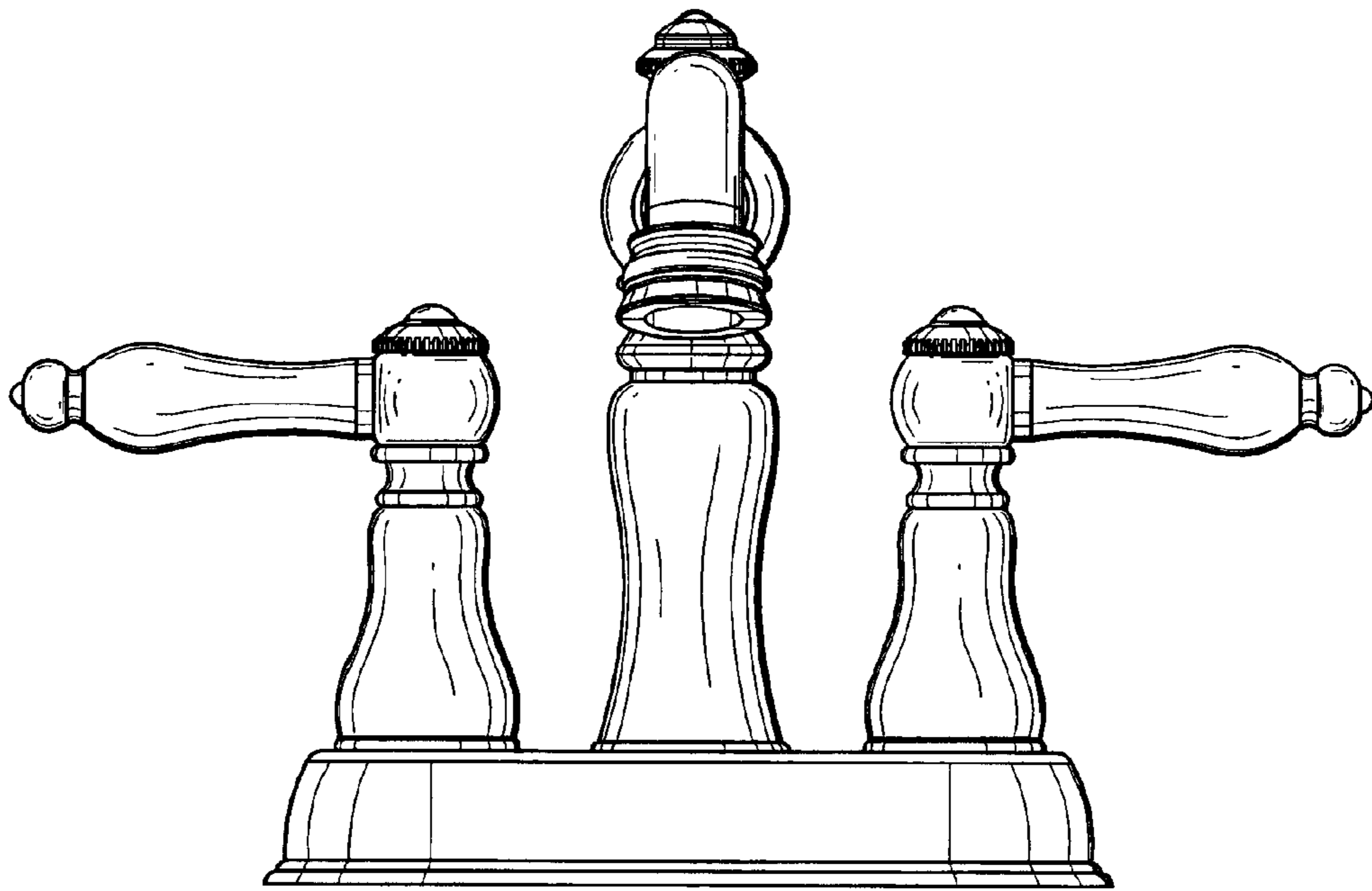


FIG. 2

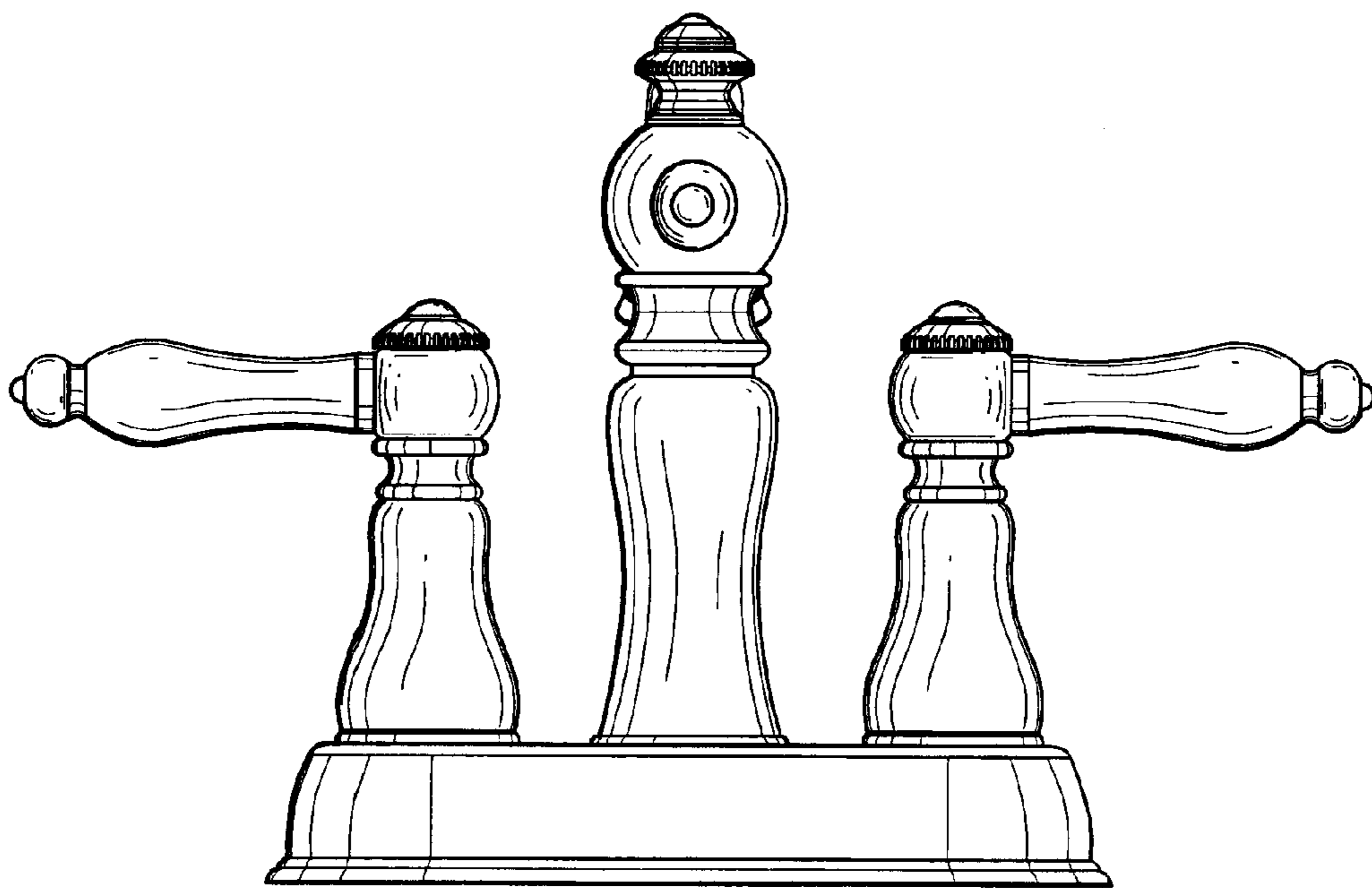


FIG. 3

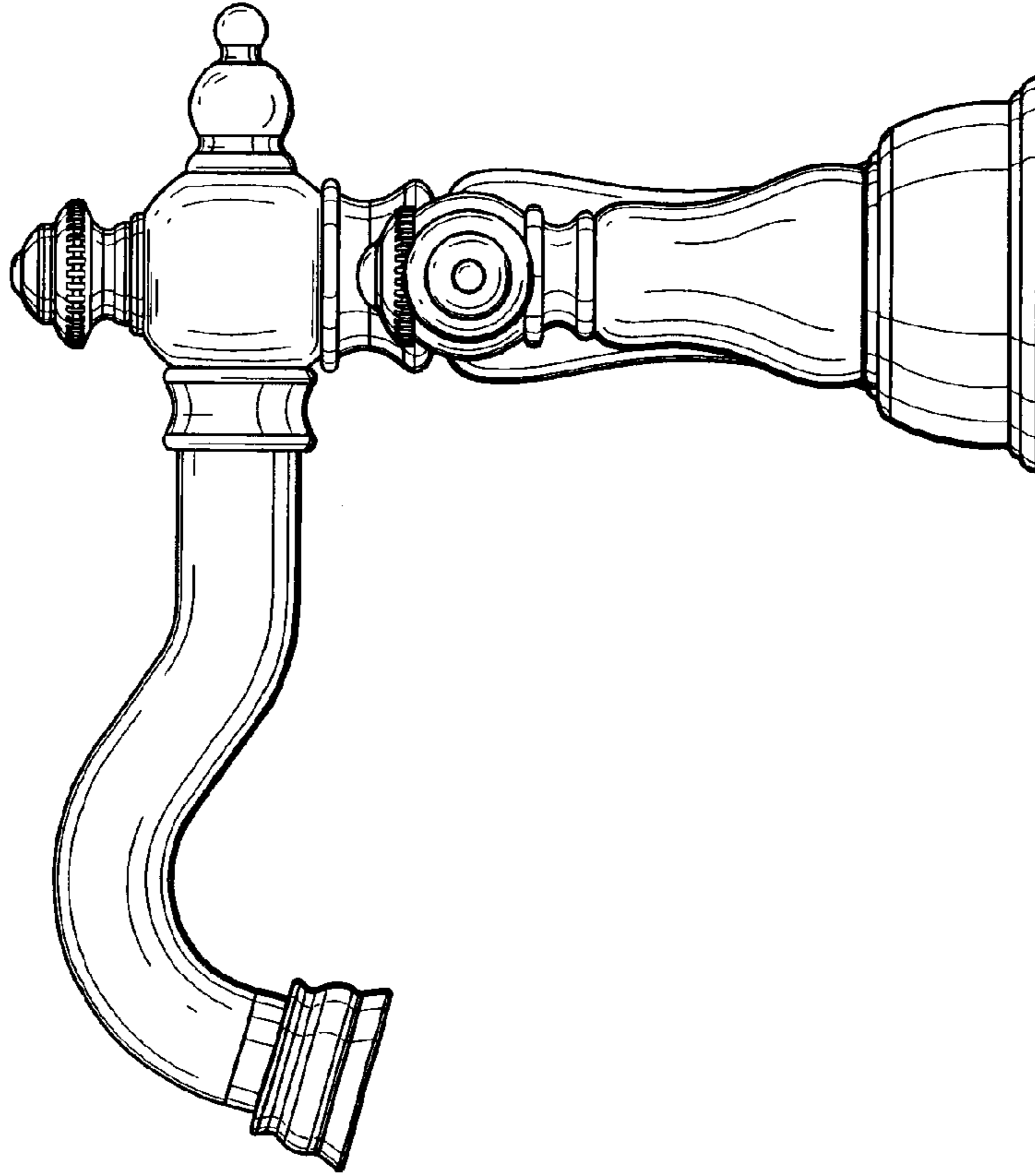


FIG. 5

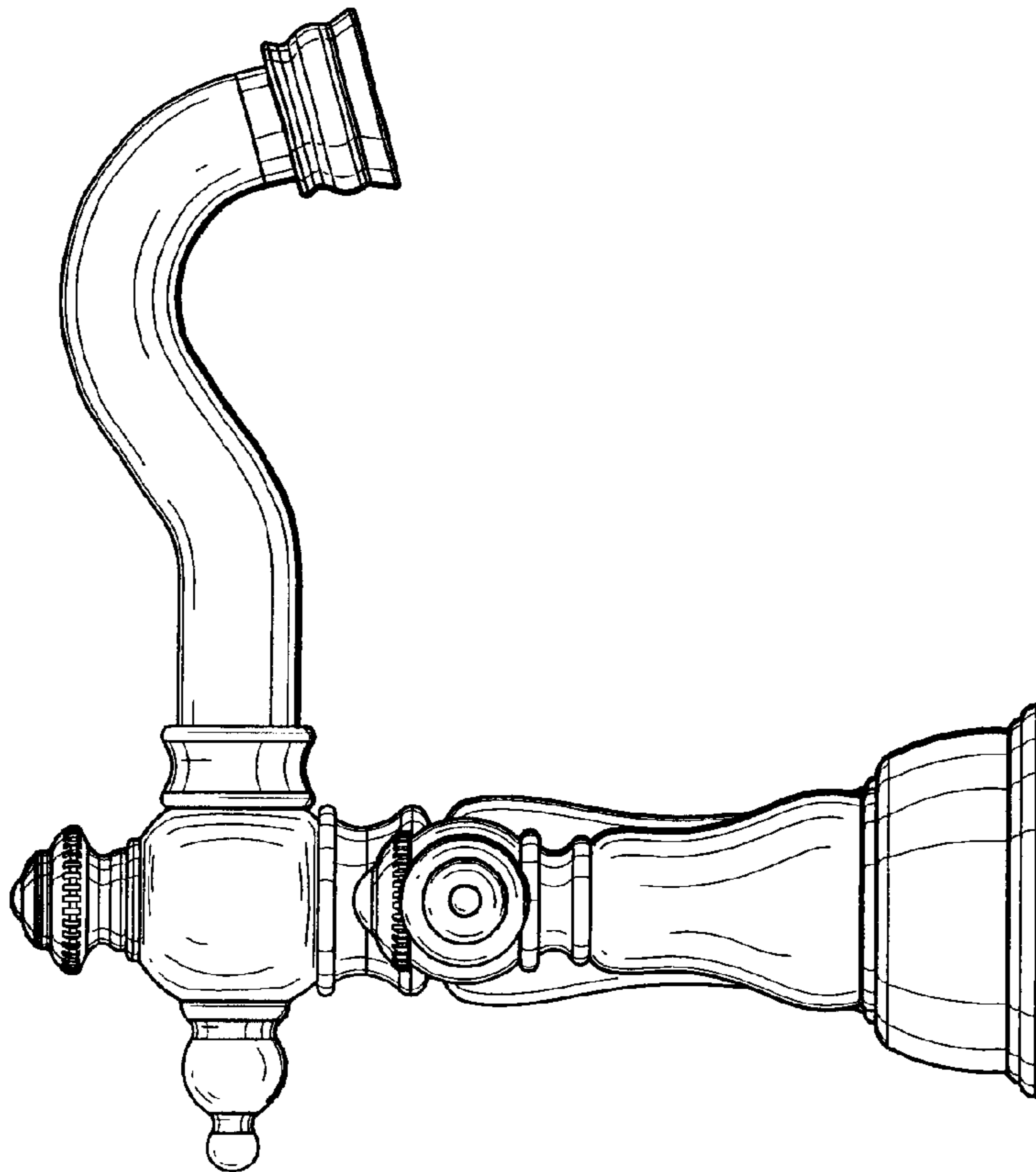


FIG. 4

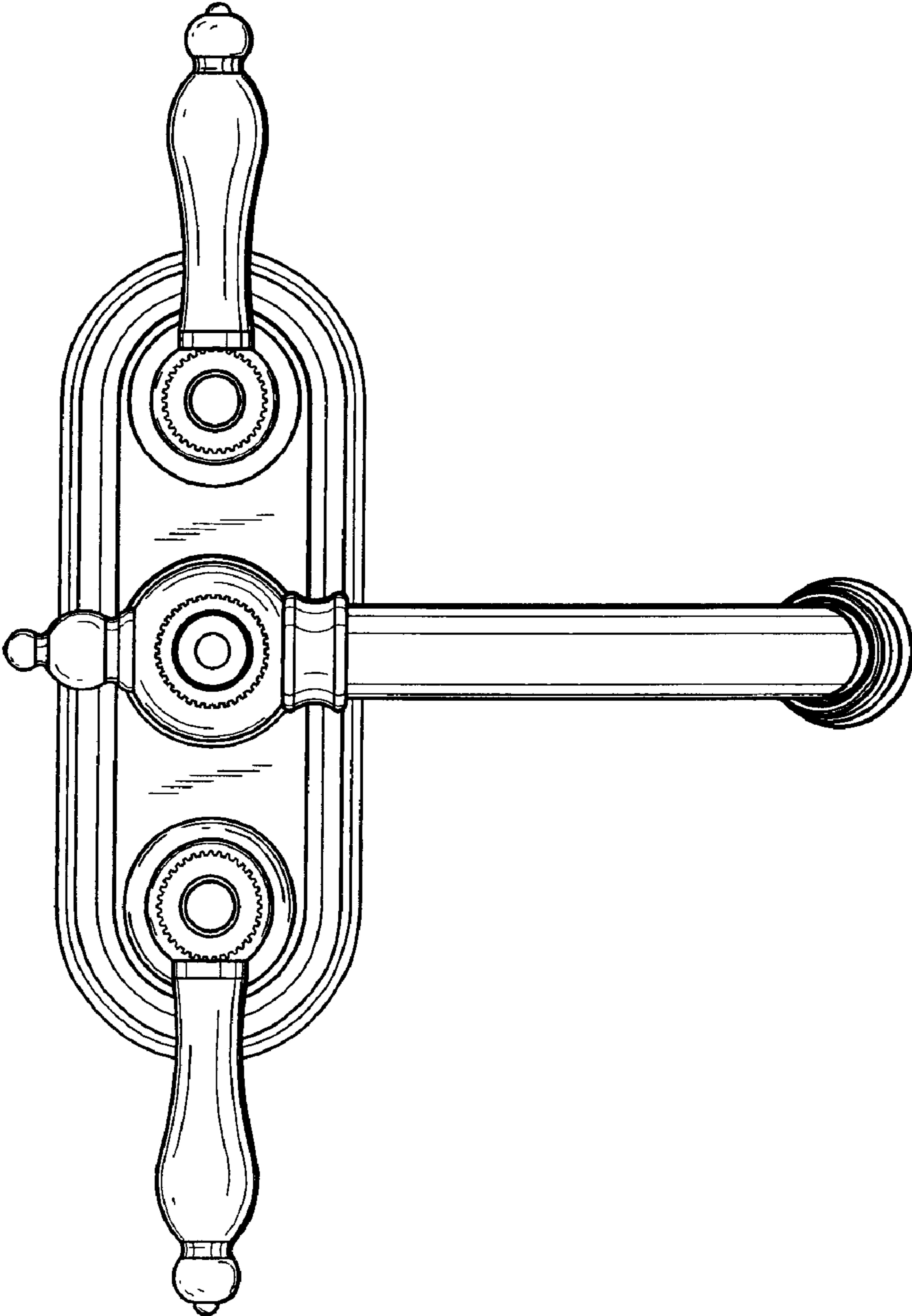


FIG. 6