



US00D521601S

(12) **United States Design Patent**
Uhl

(10) **Patent No.:** **US D521,601 S**

(45) **Date of Patent:** **** May 23, 2006**

(54) **FAUCET**

(75) **Inventor:** **Gary Uhl**, Fair Haven, NJ (US)

(73) **Assignee:** **American Standard International Inc.**, New York, NY (US)

(**) **Term:** **14 Years**

(21) **Appl. No.:** **29/221,779**

(22) **Filed:** **Jan. 20, 2005**

(51) **LOC (8) Cl.** **23-01**

(52) **U.S. Cl.** **D23/240; D23/239**

(58) **Field of Classification Search** **D23/238-257;**
4/675-678; 137/801

See application file for complete search history.

(56) **References Cited**

U.S. PATENT DOCUMENTS

- D114,556 S * 5/1939 Morgan D23/228
- D141,842 S * 7/1945 Trombley D23/228
- D149,388 S * 4/1948 Strathmore D23/240

- D322,307 S * 12/1991 Chretien D23/252
- D472,308 S * 3/2003 Hundley D23/255
- D479,582 S * 9/2003 Citterio D23/239

* cited by examiner

Primary Examiner—Louis S. Zarfaz

Assistant Examiner—Gregory Andoll

(57) **CLAIM**

The ornamental design for a faucet, as shown and described.

DESCRIPTION

FIG. 1 is a perspective view of a faucet showing my new design;

FIG. 2 is a top plan view thereof;

FIG. 3 is a front elevational view thereof;

FIG. 4 is a left side elevational view thereof;

FIG. 5 is a right side elevational view thereof;

FIG. 6 is a rear elevational view thereof; and,

FIG. 7 is a bottom plan view.

The broken lines in the Figures are for illustrative purposes only and form no part of the claimed design.

1 Claim, 7 Drawing Sheets

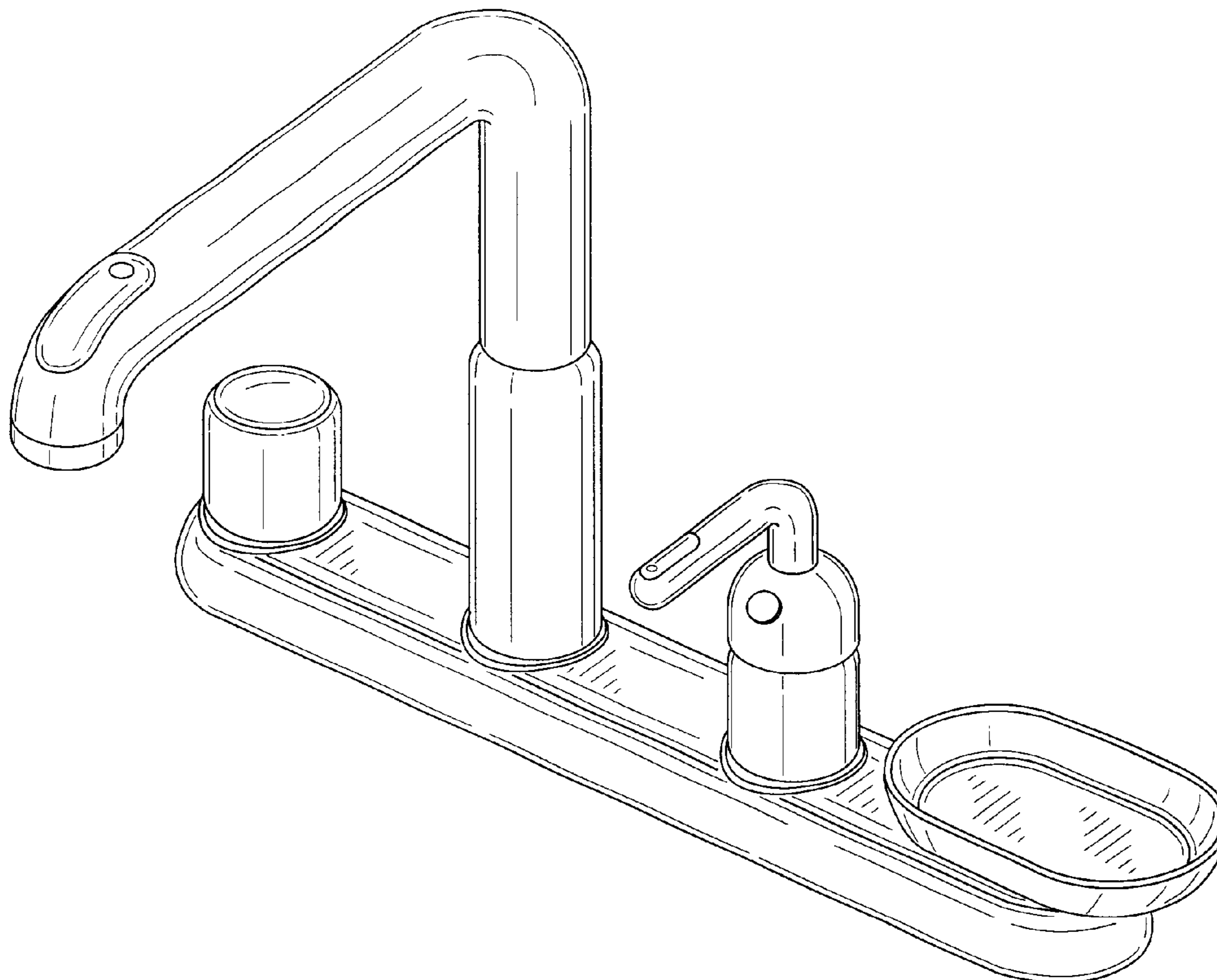


FIG. 1

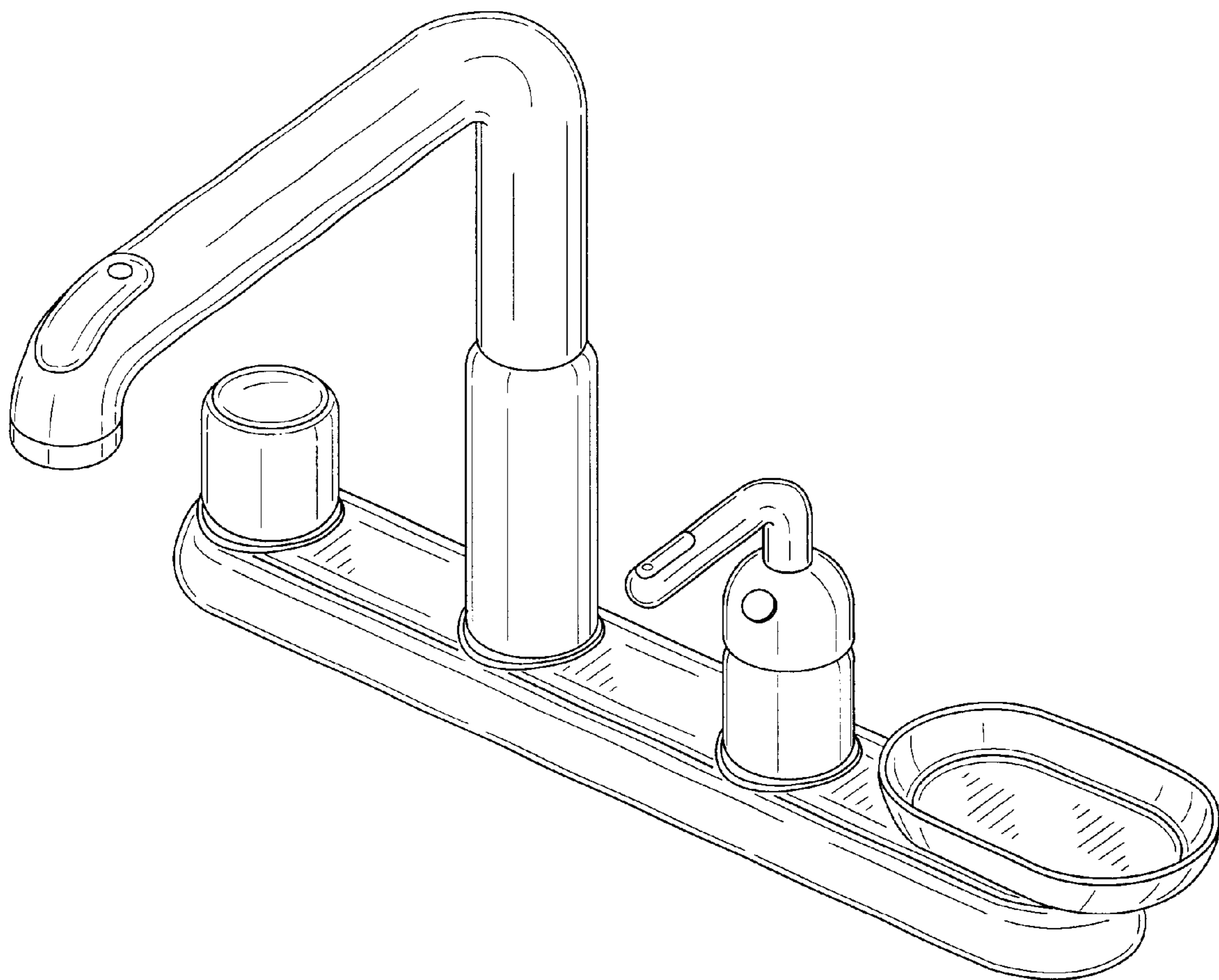


FIG. 2

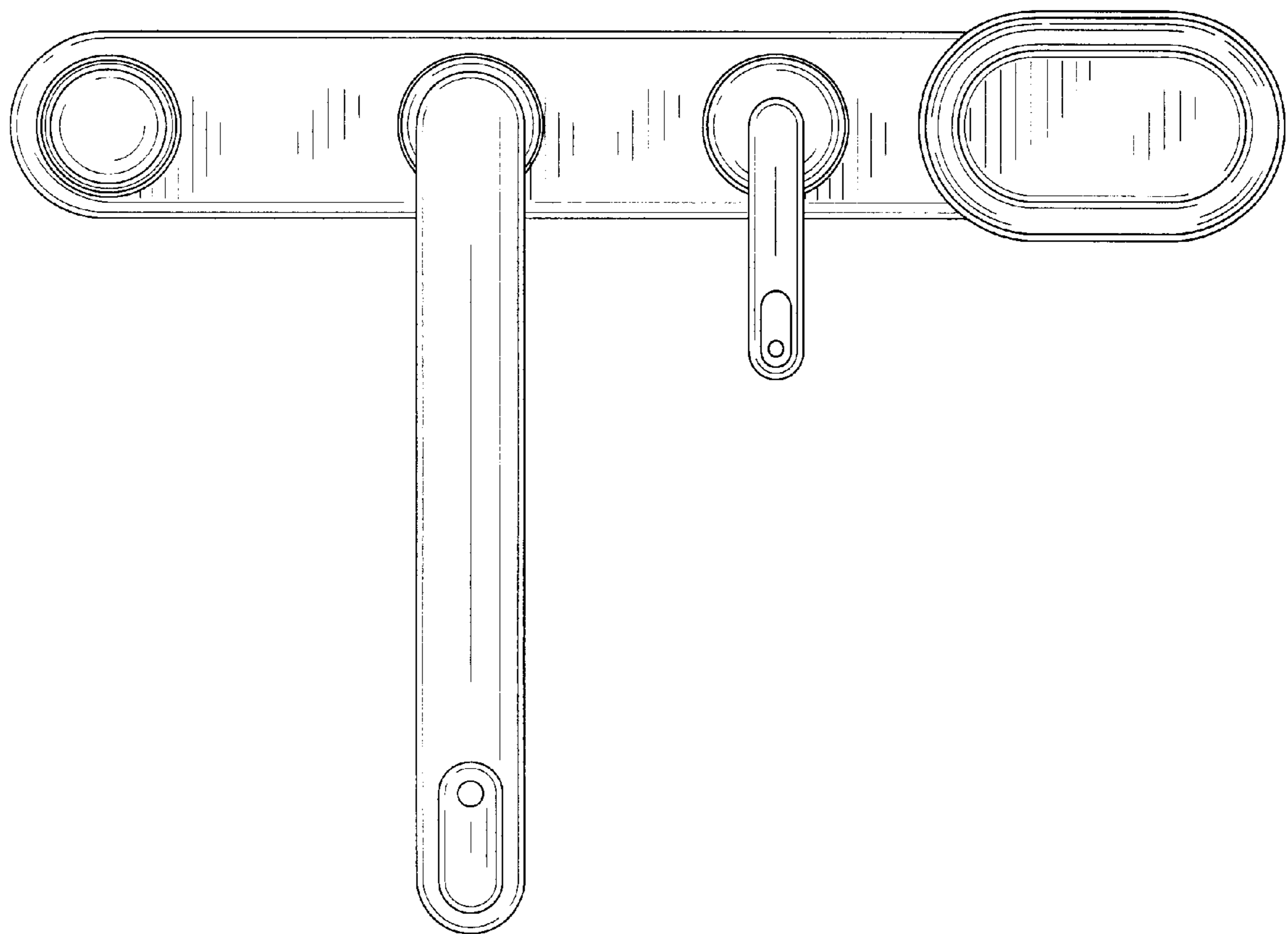


FIG. 3

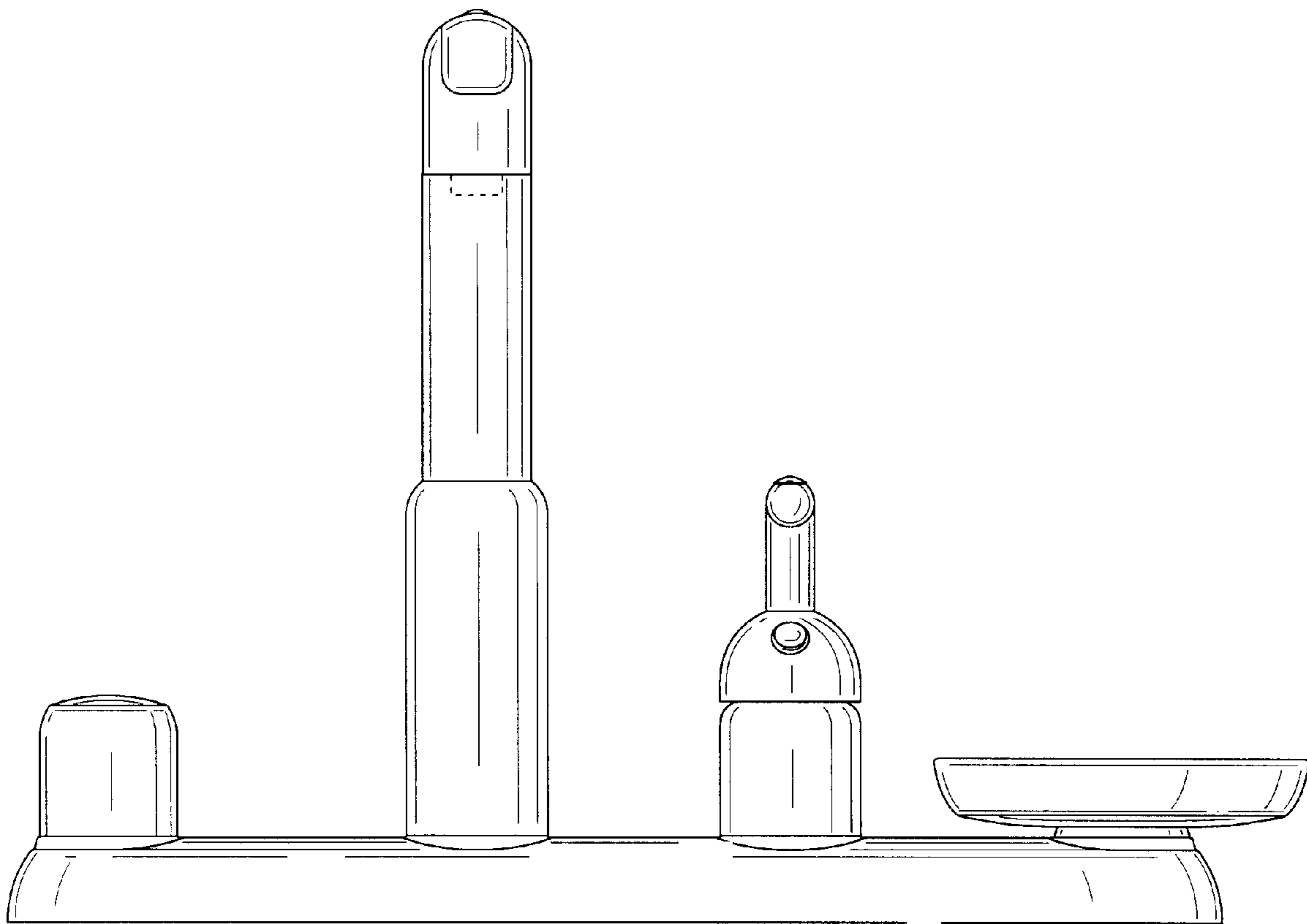


FIG. 4

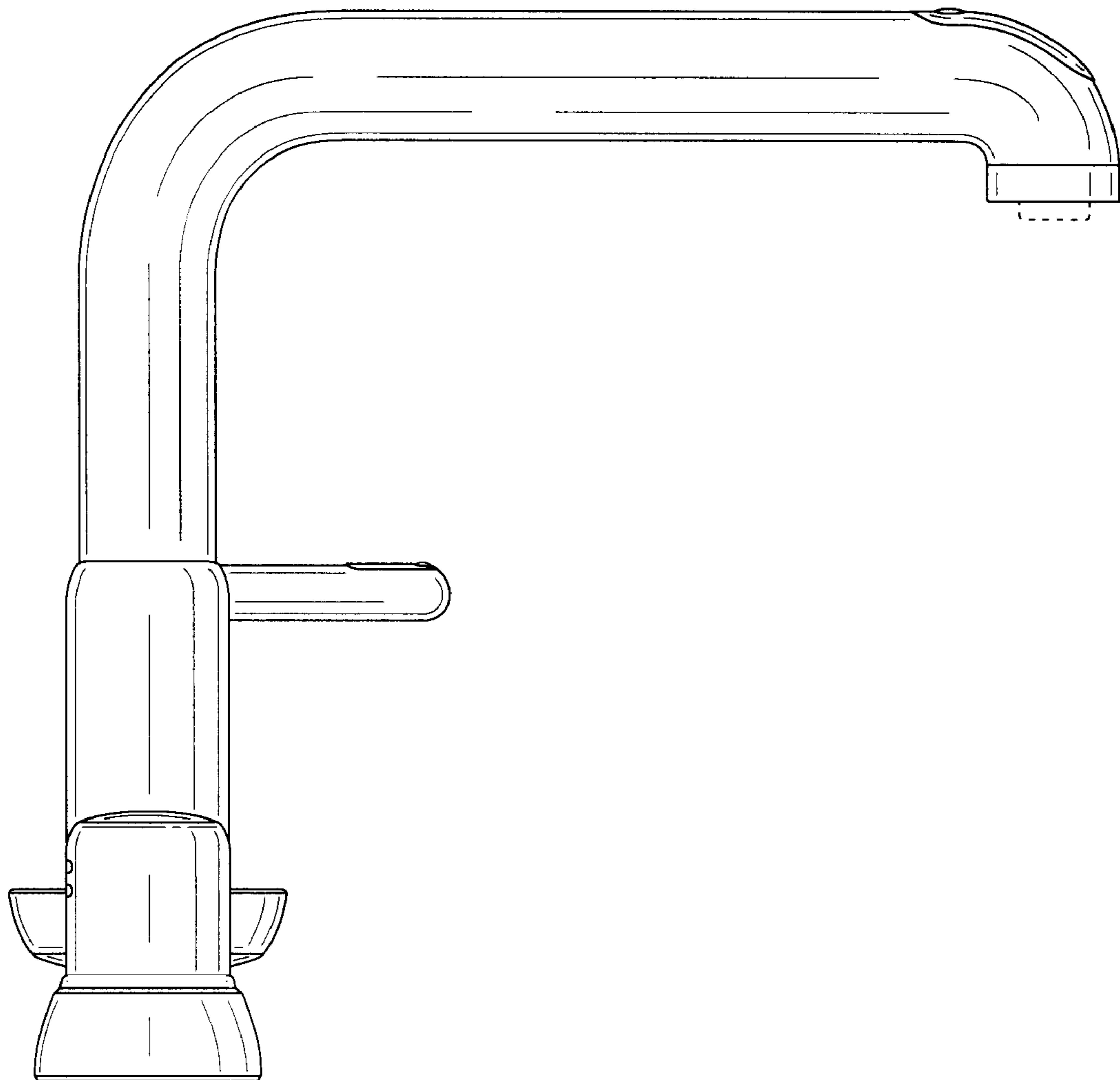


FIG. 5

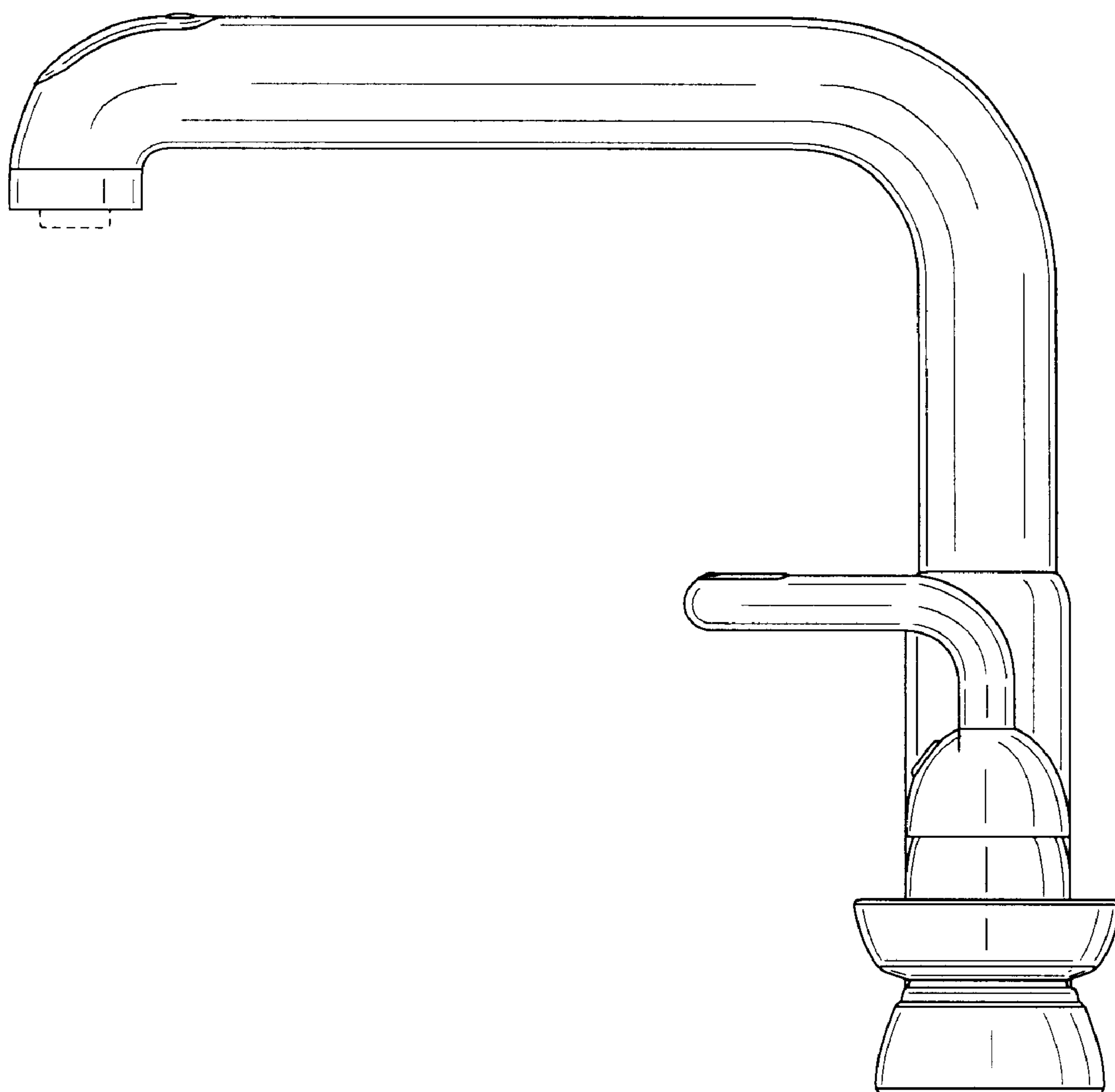


FIG. 6

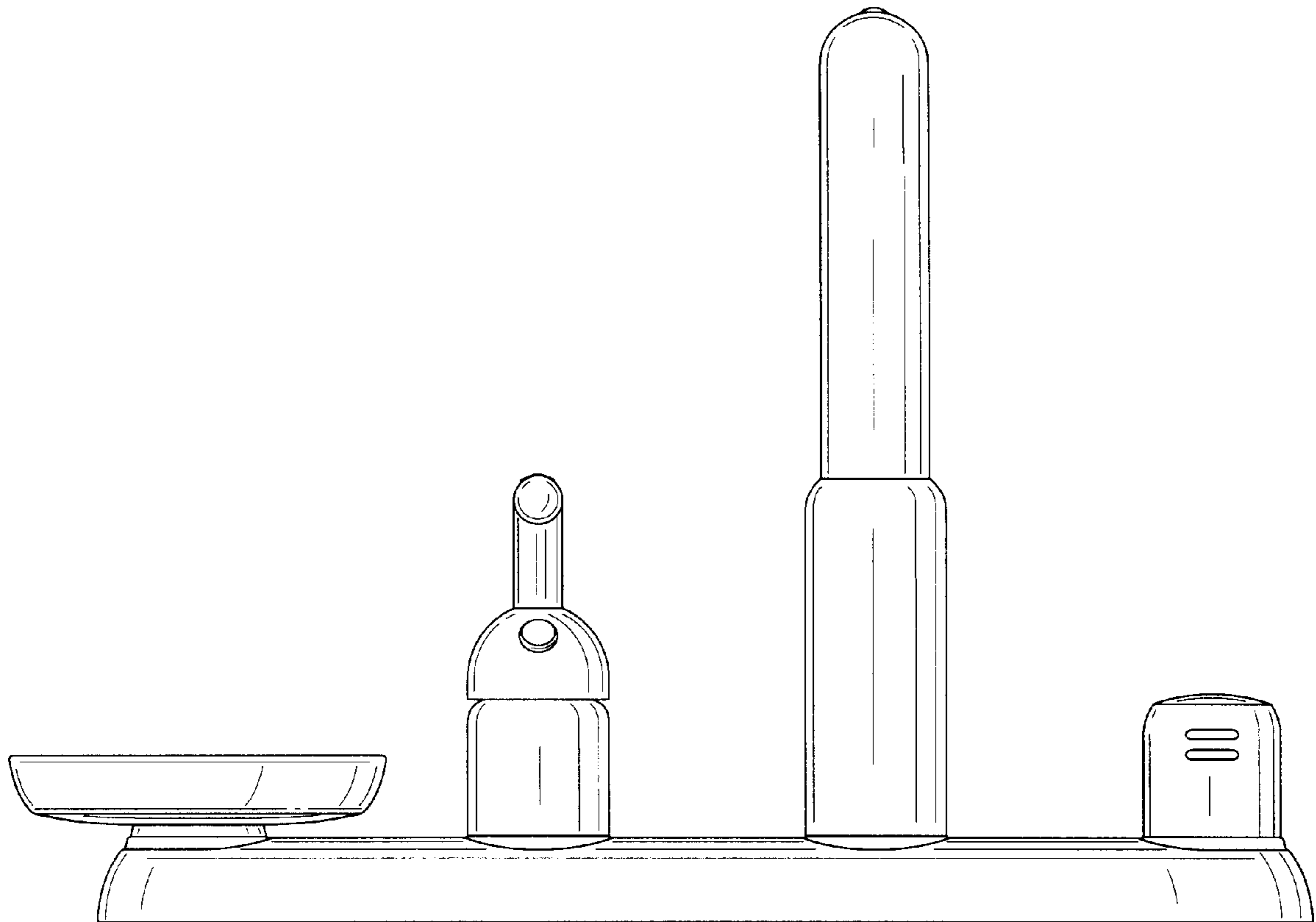


FIG. 7

