



US00D521600S

(12) **United States Design Patent**
Gilbert

(10) **Patent No.:** **US D521,600 S**

(45) **Date of Patent:** **** May 23, 2006**

(54) **HANDLE**

(75) Inventor: **Christopher Jon Gilbert**, Moreland Hills, OH (US)

(73) Assignee: **Moen Incorporated**, North Olmsted, OH (US)

(**) Term: **14 Years**

(21) Appl. No.: **29/202,384**

(22) Filed: **Mar. 30, 2004**

(51) **LOC (8) Cl.** **23-01**

(52) **U.S. Cl.** **D23/238**

(58) **Field of Classification Search** D23/238-257;
4/675-678; 137/801

See application file for complete search history.

D340,278 S	10/1993	Haug et al.	
D340,968 S	* 11/1993	McKeone et al. D23/255
D349,326 S	8/1994	Bollenbacher	
D359,112 S	6/1995	Mark et al.	
D366,517 S	1/1996	Doughty et al.	
D375,345 S	11/1996	Warshawsky	
D377,516 S	1/1997	Doughty et al.	
D380,809 S	7/1997	Warshawsky	
D382,042 S	8/1997	Bollenbacher	
D387,130 S	12/1997	Warshawsky	
D387,133 S	12/1997	Donahue et al.	
D404,465 S	1/1999	Ko	
D406,877 S	3/1999	Esche et al.	
D408,897 S	* 4/1999	Warshawsky D23/255
D409,286 S	5/1999	Warshawsky	
D409,726 S	5/1999	Formgren	
D411,611 S	6/1999	Warshawsky	
D412,025 S	7/1999	Mark et al.	
D414,546 S	9/1999	Cosolito et al.	
D415,562 S	10/1999	Lobermeier	
D416,608 S	11/1999	Warshawsky et al.	

(56) **References Cited**

U.S. PATENT DOCUMENTS

638,611 A	12/1899	Totham	
753,974 A	3/1904	Glauber	
D50,151 S	1/1917	Mortimer	
D219,739 S	1/1971	Niemann	
D227,465 S	6/1973	Genaro et al.	
D235,099 S	* 5/1975	Doman D23/257
D263,991 S	* 4/1982	Fleischmann et al. D23/257
D280,009 S	8/1985	Miller et al.	
D280,543 S	9/1985	Paul	
D285,597 S	9/1986	Miller et al.	
D287,395 S	12/1986	Piesco	
D289,318 S	4/1987	Yost	
D290,388 S	6/1987	Yost	
D291,590 S	8/1987	Bengtsson	
D295,550 S	5/1988	Yost	
4,804,010 A	2/1989	Meissenburg	
D318,099 S	* 7/1991	Reid et al. D23/255
D318,518 S	7/1991	Schmidt et al.	
D318,901 S	8/1991	Rodstein	
D318,906 S	8/1991	Spangler	
D319,867 S	9/1991	Delepine	
5,073,991 A	12/1991	Marty	
D326,504 S	5/1992	Robbins	
5,170,944 A	12/1992	Shirai	

(Continued)

Primary Examiner—Louis S. Zarfes
Assistant Examiner—Gregory Andoll
(74) *Attorney, Agent, or Firm*—Calfee, Halter & Griswold LLP

(57) **CLAIM**

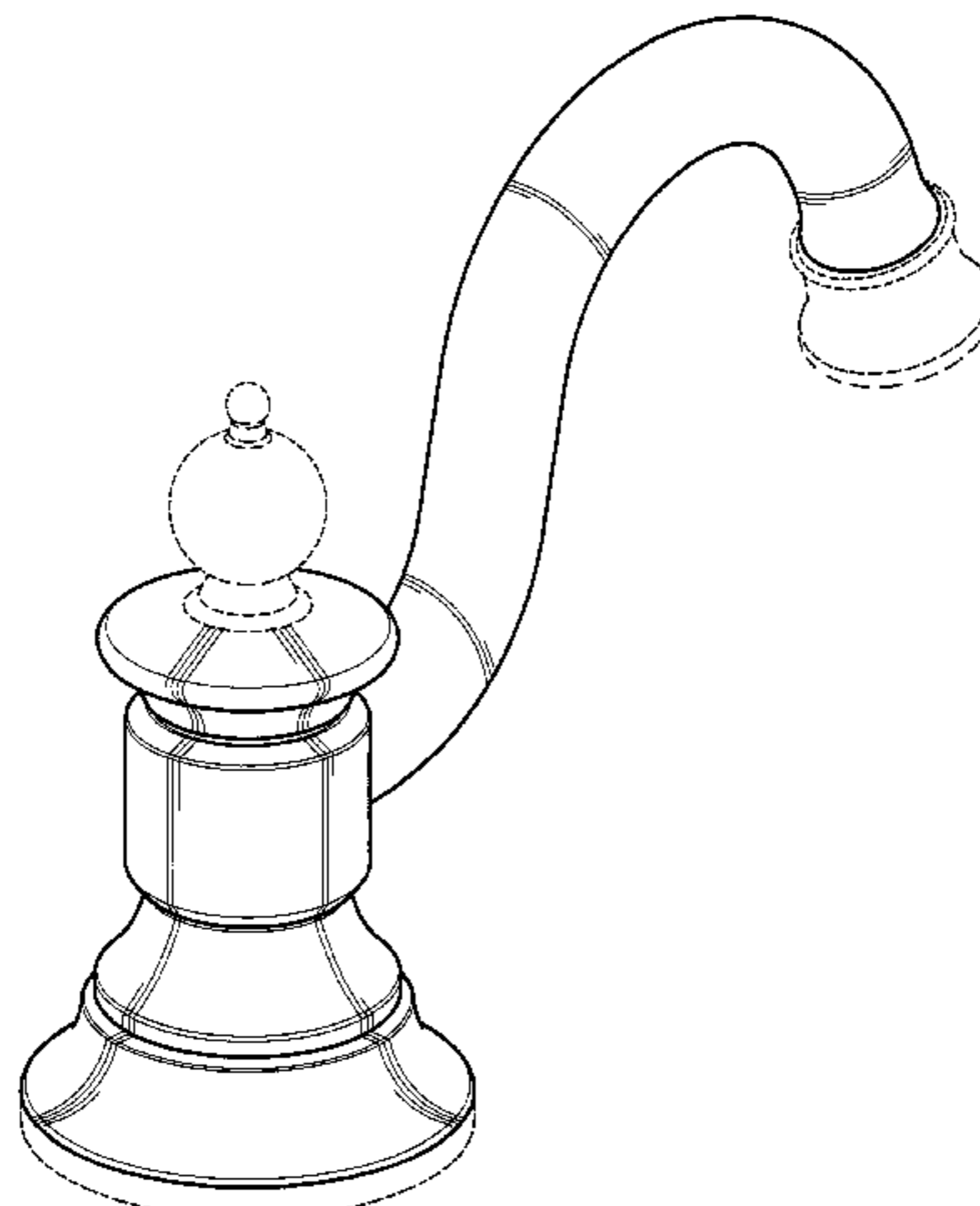
The ornamental design for a handle, as shown and described.

DESCRIPTION

FIG. 1 is a perspective view of a handle of the new design; FIG. 2 is a rear elevational view of the handle of FIG. 1; FIG. 3 is a front elevational view of the handle of FIG. 1; FIG. 4 is a top plan view of the handle of FIG. 1; FIG. 5 is a bottom plan view of the handle of FIG. 1; FIG. 6 is a left side elevational view of the handle of FIG. 1; and, FIG. 7 is a right side elevational view of the handle of FIG. 1.

The portions of the Figures shown in phantom lines are not part of the claimed design and are for illustration only.

1 Claim, 5 Drawing Sheets



US D521,600 S

Page 2

U.S. PATENT DOCUMENTS

D417,490 S	12/1999	Formgren	D465,008 S	10/2002	Lord
D420,430 S	2/2000	Lobermeier	D465,010 S	10/2002	Lord
D421,096 S	2/2000	Sawhney et al.	D465,265 S	11/2002	Czerwinski, Jr. et al.
D421,486 S	3/2000	Slothower et al.	D465,559 S	11/2002	Chen
D424,173 S	5/2000	Donahue et al.	D465,834 S	11/2002	Singtoroj
D424,663 S	5/2000	Mark et al.	D466,587 S	12/2002	Isaacs
D426,619 S	6/2000	Sawhney et al.	D467,644 S	12/2002	Panis et al.
D437,394 S	2/2001	Mark et al.	D467,995 S	12/2002	Lord
D437,631 S	2/2001	Robbins	D467,996 S	12/2002	Panis et al.
D438,288 S	2/2001	Mark et al.	D467,998 S	12/2002	Panis et al.
D438,289 S	2/2001	Mark et al.	D468,399 S	1/2003	Bouilloux et al.
D439,635 S	3/2001	Robbins	D469,158 S	1/2003	Bouilloux et al.
D444,851 S	7/2001	Sturgeon	D469,162 S	1/2003	Panis et al.
D458,666 S	6/2002	Mark et al.	D469,513 S	1/2003	Marshall
D460,150 S	7/2002	Rexach	D469,854 S	2/2003	Ouyoung
D461,531 S	8/2002	Ouyoung	D470,916 S	2/2003	Friedrich
D461,540 S	8/2002	Gottwald	D470,917 S	2/2003	Friedrich
D643,765	8/2002	Burns et al.	D471,255 S	3/2003	Friedrich
D462,749 S	9/2002	Lord	D471,256 S	3/2003	Friedrich
D463,531 S	9/2002	Gottwald	D472,607 S	4/2003	Warshawsky et al.
D463,533 S	9/2002	Ko	D472,608 S	4/2003	Shieh
D464,406 S	10/2002	Gottwald	D473,929 S	4/2003	Warshawsky et al.
D464,408 S	10/2002	Gottwald	D474,834 S	5/2003	Czerwinski, Jr. et al.
D464,710 S	10/2002	Lord	D489,795 S	* 5/2004	Kulig et al. D23/238
D464,714 S	10/2002	Lord			

* cited by examiner

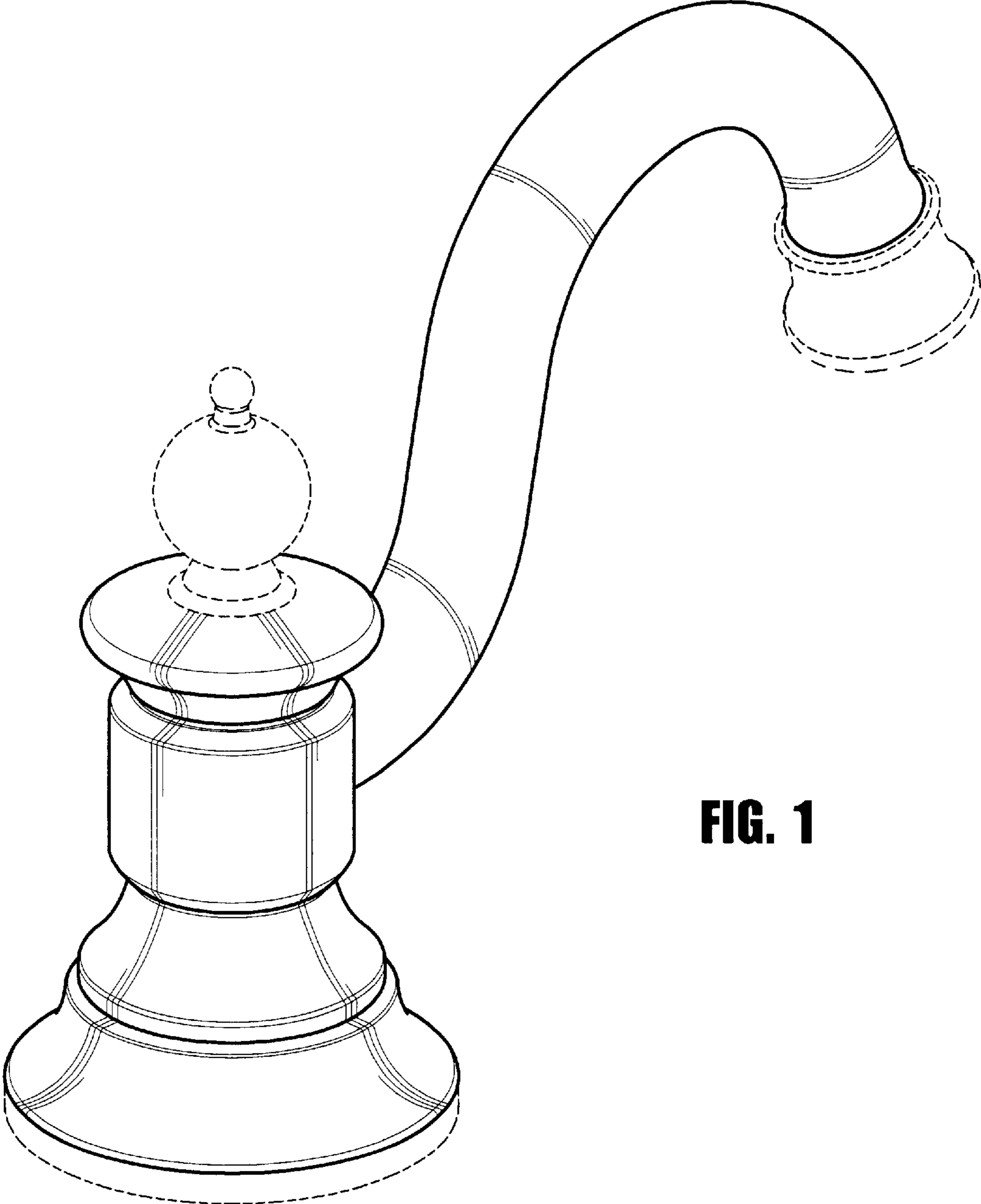


FIG. 1

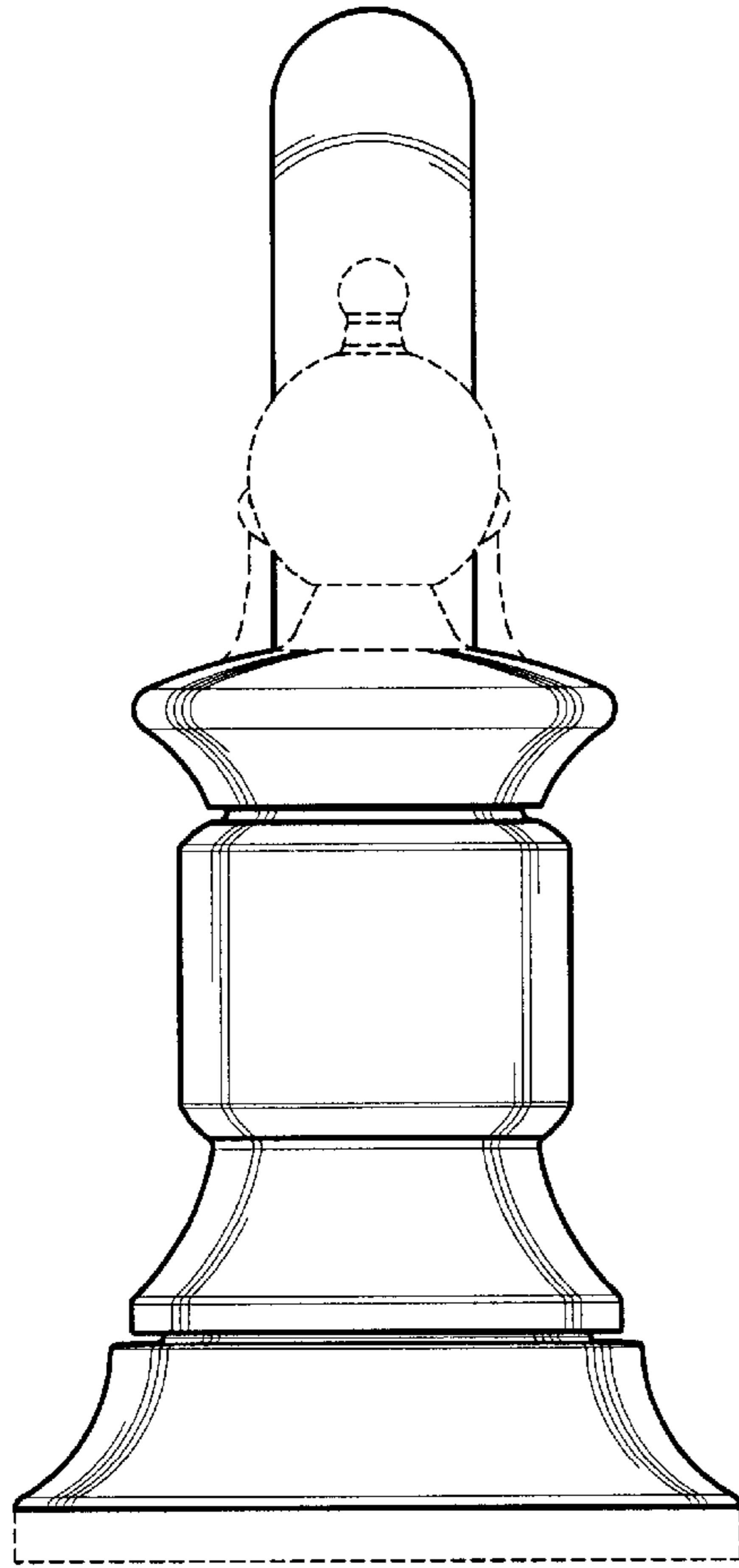


FIG. 2

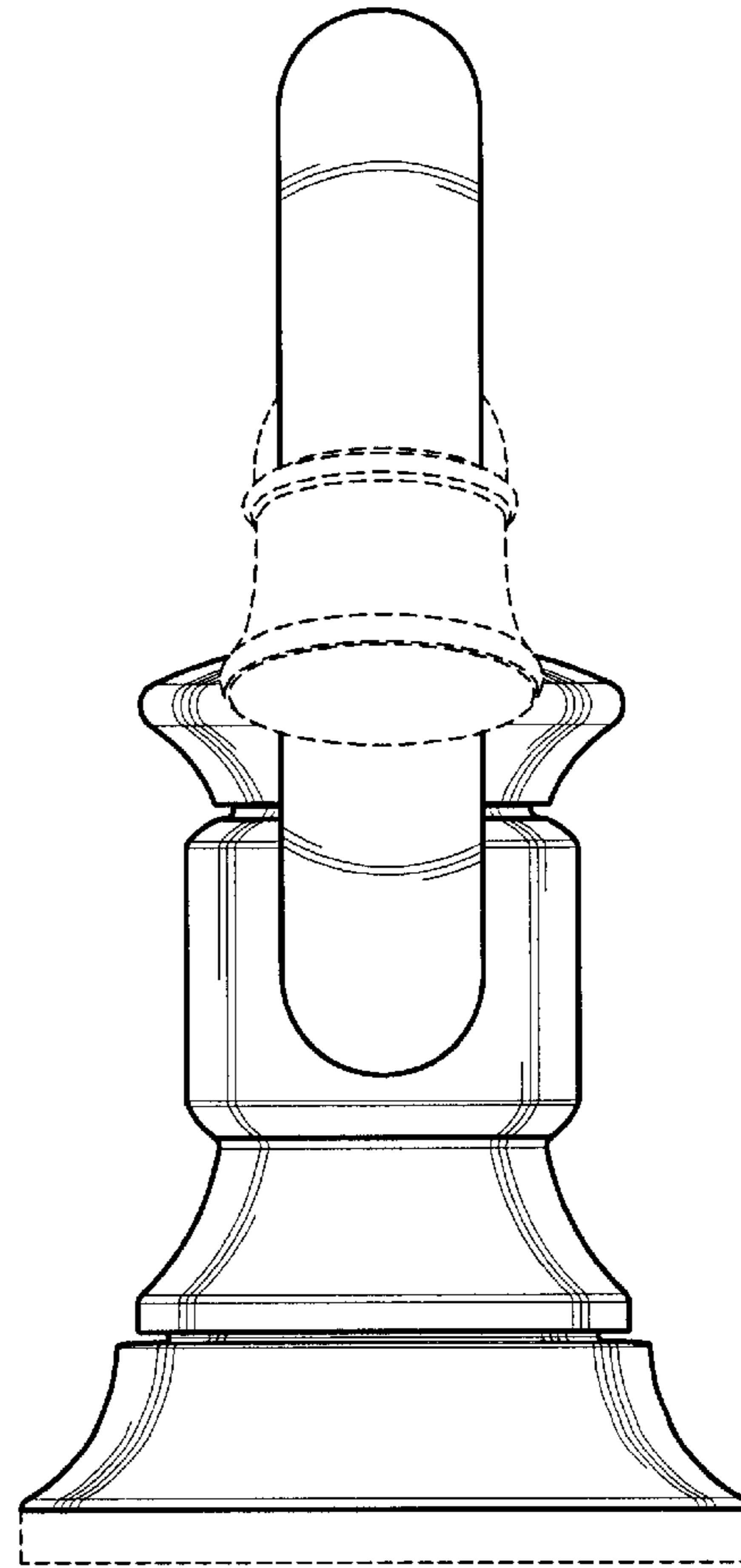


FIG. 3

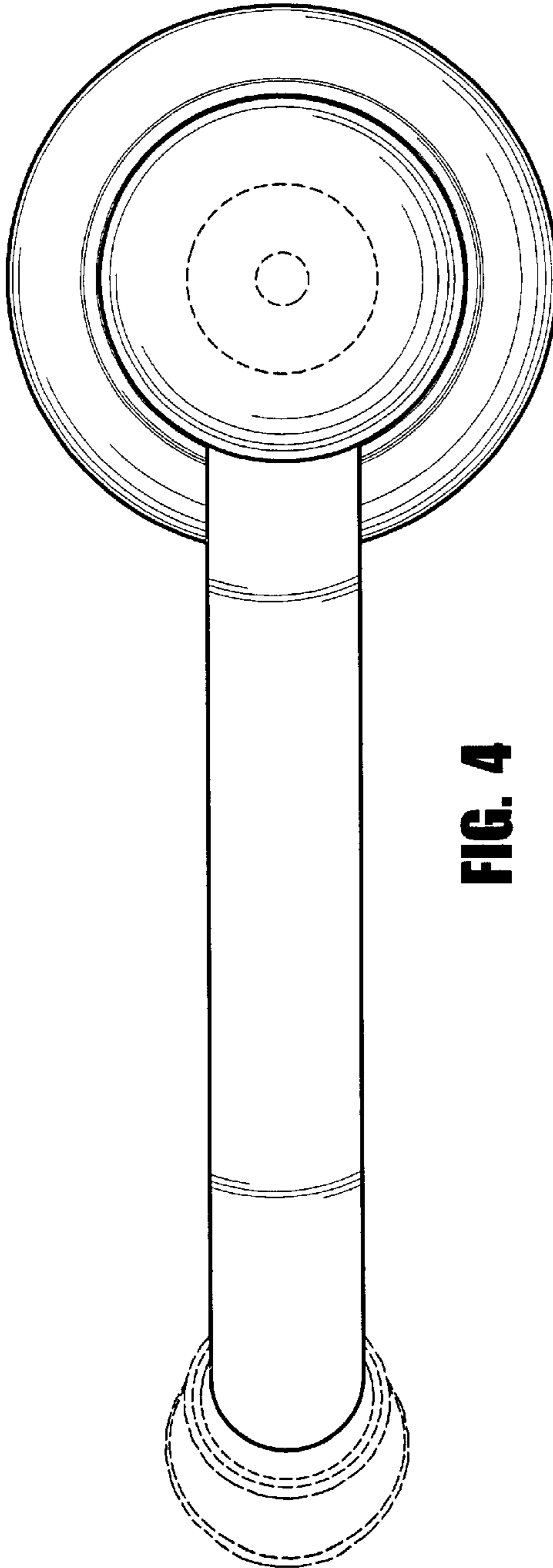


FIG. 4

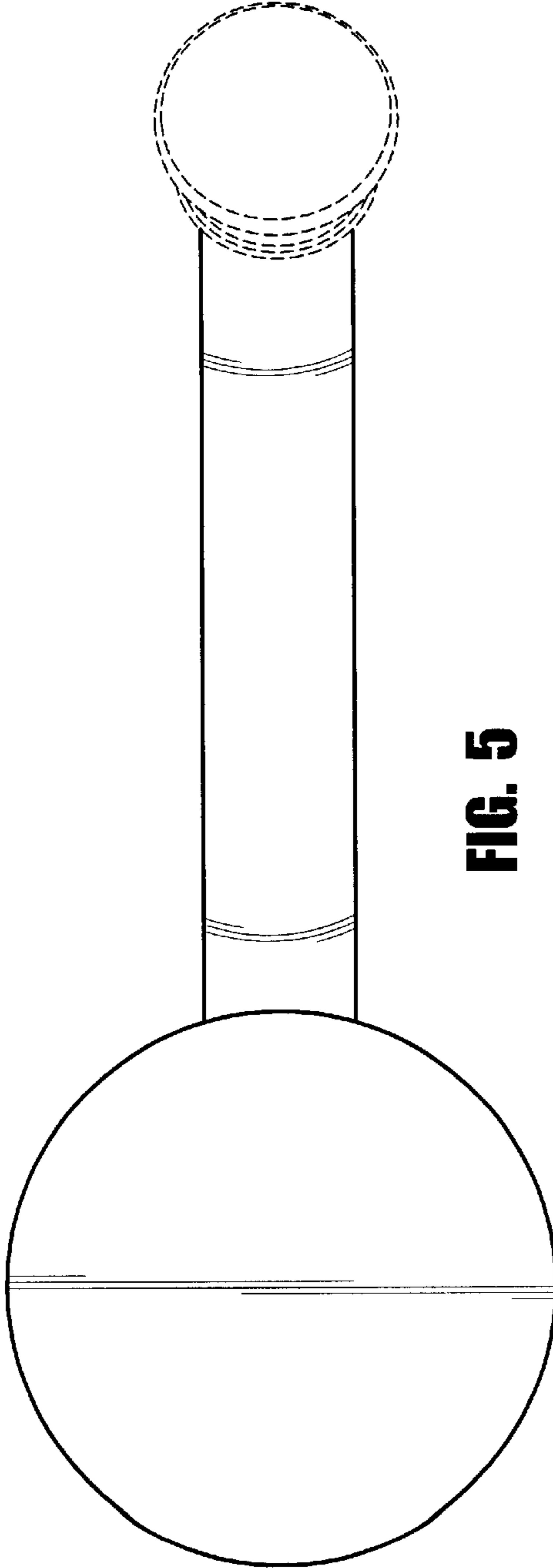


FIG. 5

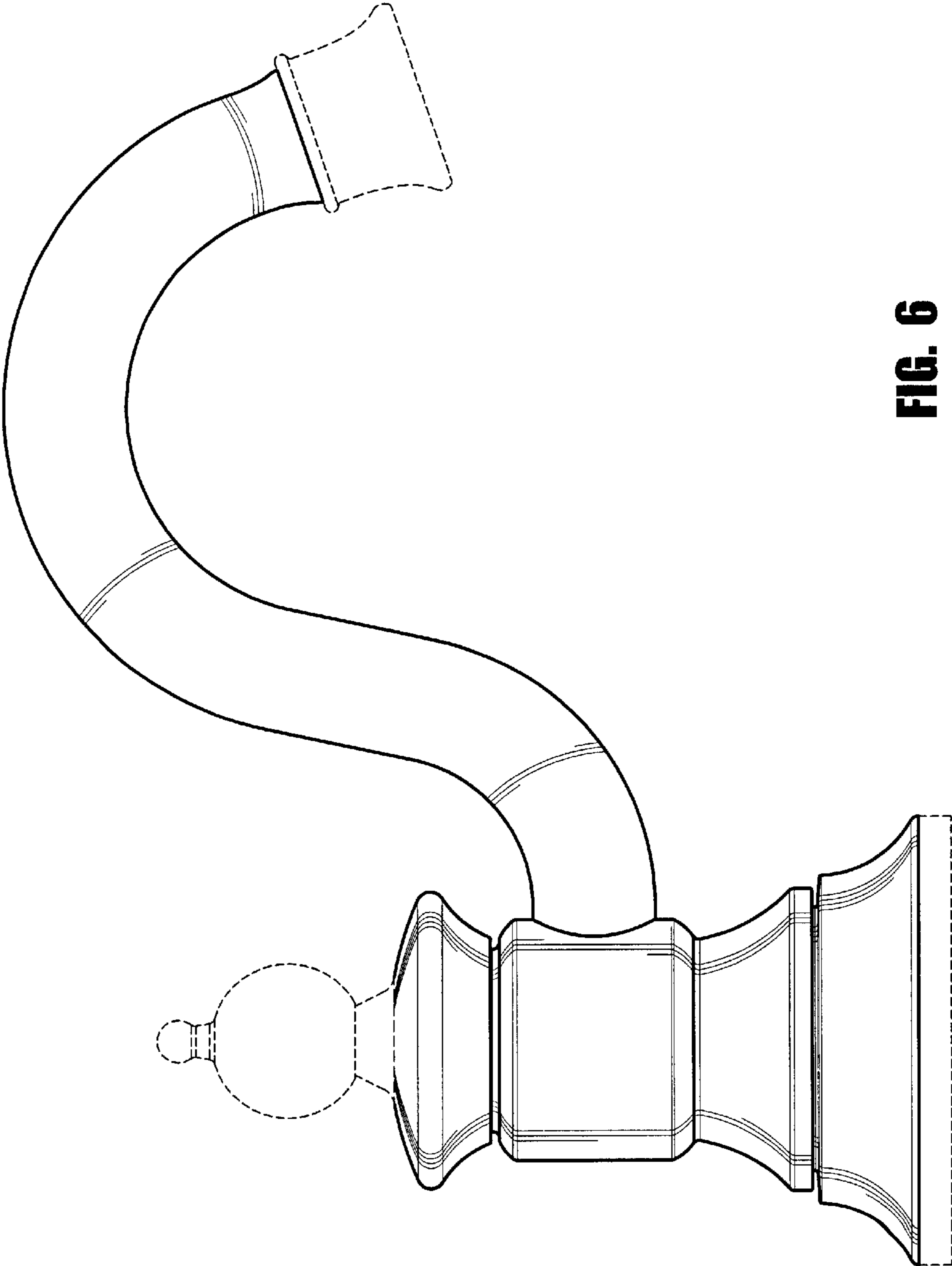


FIG. 6

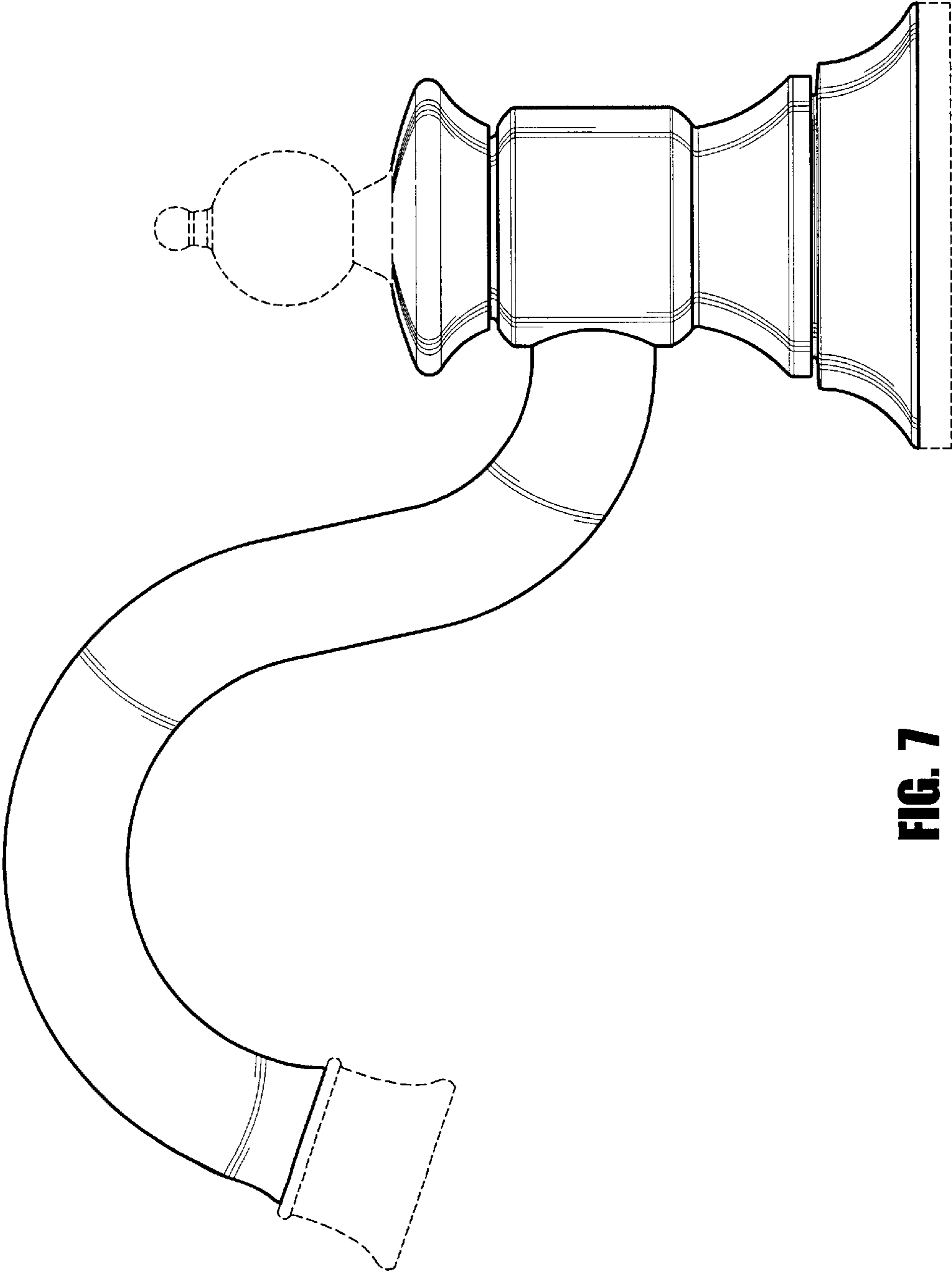


FIG. 7

UNITED STATES PATENT AND TRADEMARK OFFICE
CERTIFICATE OF CORRECTION

PATENT NO. : Des. 521,600 S
APPLICATION NO. : 29/202384
DATED : May 23, 2006
INVENTOR(S) : Christopher Jon Gilbert

Page 1 of 1

It is certified that error appears in the above-identified patent and that said Letters Patent is hereby corrected as shown below:

Title Page, Item (54), "HANDLE" should read --SPOUT ASSEMBLY--.

Title Page, Item (57), "handle" should read --spout assembly--.

Title Page in the Description section, Figure 1, "handle" should read --spout assembly--.

Title Page in the Description section, Figure 2, "handle" should read --spout assembly--.

Title Page in the Description section, Figure 3, "handle" should read --spout assembly--.

Title Page in the Description section, Figure 4, "handle" should read --spout assembly--.

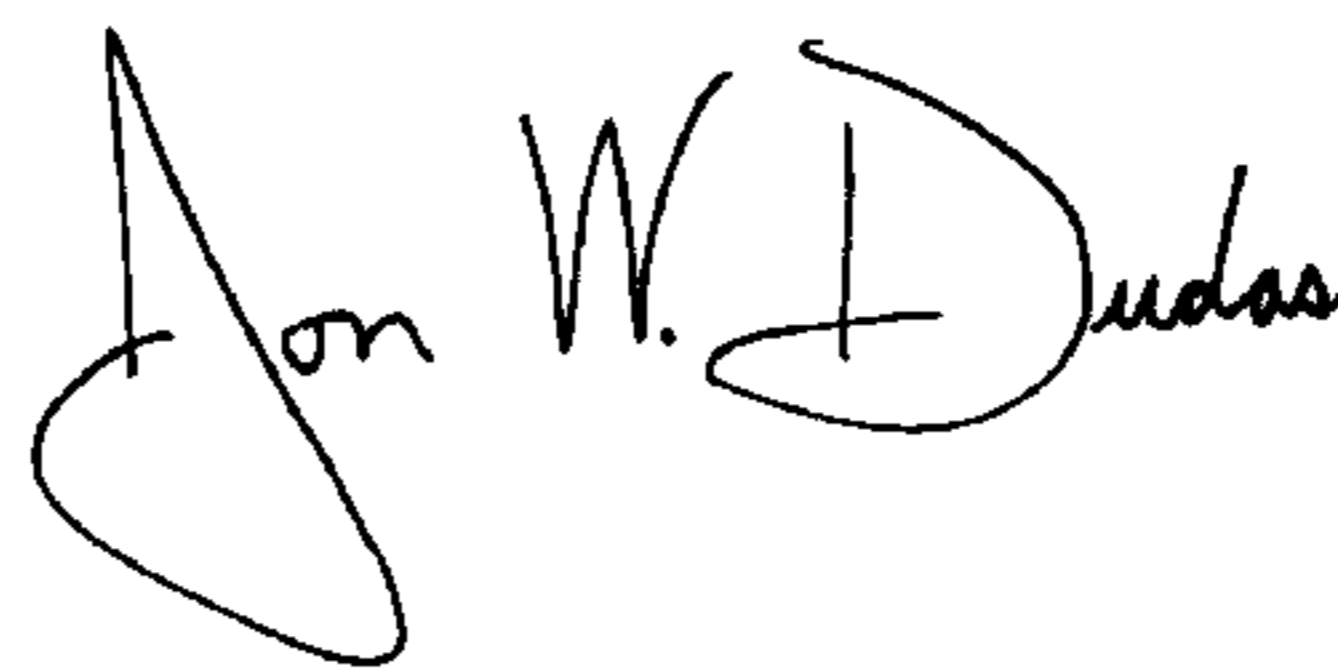
Title Page Description, Figure 5, "handle" should read --spout assembly--.

Title Page in the Description section, Figure 6, "handle" should read --spout assembly--.

Title Page in the Description section, Figure 7, "handle" should read --spout assembly--.

Signed and Sealed this

Eighteenth Day of March, 2008



JON W. DUDAS

Director of the United States Patent and Trademark Office