

US00D521599S

(12) **United States Design Patent**  
**Bates et al.**

(10) **Patent No.:** **US D521,599 S**

(45) **Date of Patent:** **\*\* May 23, 2006**

(54) **LARGE VALVE-ACTUATOR**

(75) Inventors: **Kevin Bates**, Brea, CA (US); **Gregory  
Brisan**, South Gate, CA (US); **Tariq  
Latif**, Downey, CA (US)

(73) Assignee: **Barksdale, Inc.**, Los Angeles, CA (US)

(\*\*) Term: **14 Years**

(21) Appl. No.: **29/214,202**

(22) Filed: **Sep. 29, 2004**

(51) **LOC (8) Cl.** ..... **23-01**

(52) **U.S. Cl.** ..... **D23/233**

(58) **Field of Classification Search** ..... D23/233-249,  
D23/213, 252; 137/554, 556, 315.35; 251/63.5,  
251/58, 331; D10/85; D24/112, 114  
See application file for complete search history.

(56) **References Cited**

**U.S. PATENT DOCUMENTS**

D322,657 S \* 12/1991 Aarthun et al. .... D23/233  
D358,200 S \* 5/1995 Cerola ..... D23/252

D363,761 S \* 10/1995 Eggleston et al. .... D23/233  
D494,659 S \* 8/2004 Marinoni et al. .... D23/249  
D504,713 S \* 5/2005 Py et al. .... D23/213

\* cited by examiner

*Primary Examiner*—Ian Simmons

*Assistant Examiner*—Maurice Stevens

(74) *Attorney, Agent, or Firm*—Leon D. Rosen

(57) **CLAIM**

The ornamental design for large valve-actuator, as shown and described.

**DESCRIPTION**

FIG. 1 is a top, front and left side isometric view of a large valve-actuator, showing my design, the handle shown in phantom lines not being part of the design.

FIG. 2 is a top view thereof.

FIG. 3 is a bottom view thereof.

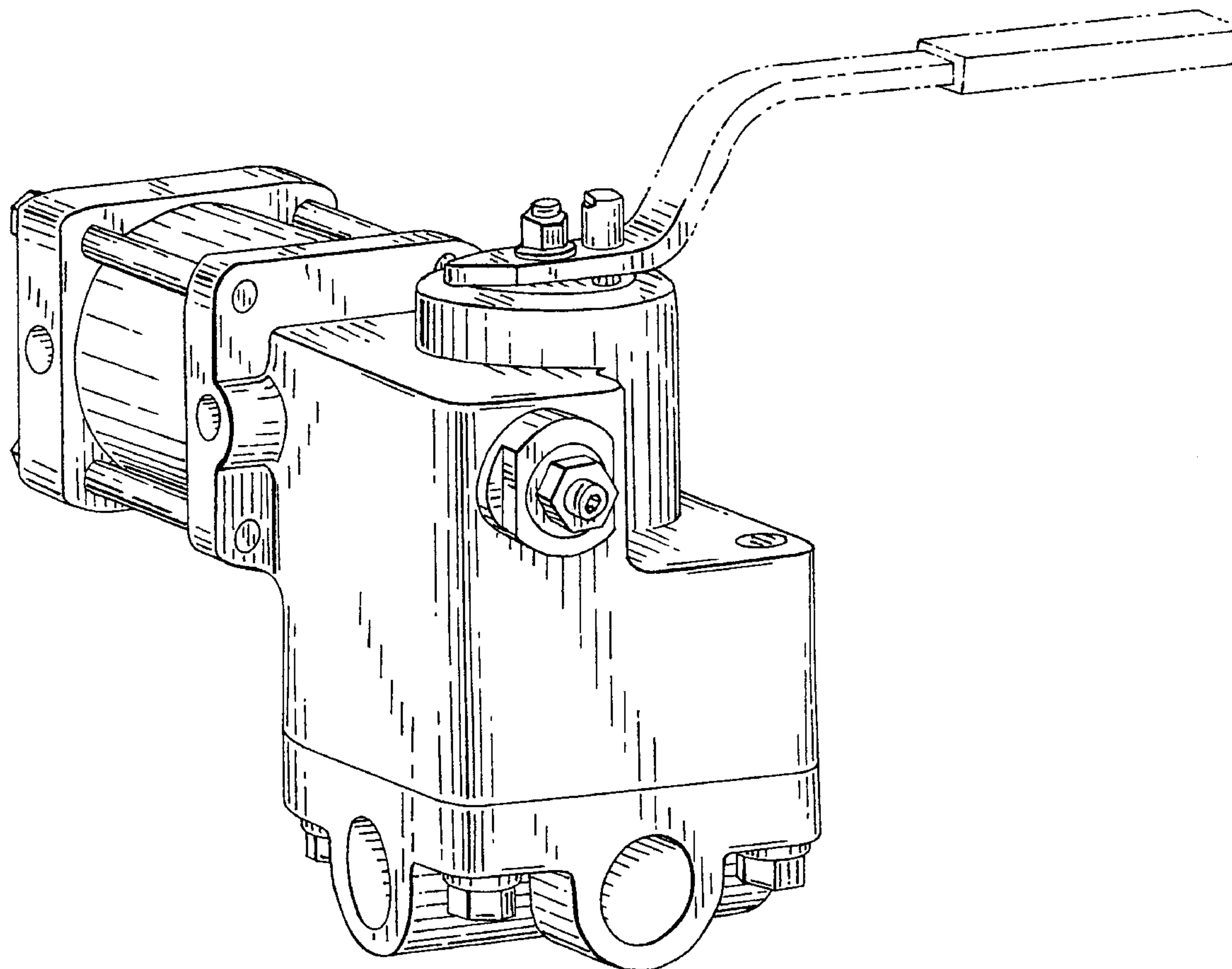
FIG. 4 is a right side elevation view thereof.

FIG. 5 is a left side elevation view thereof.

FIG. 6 is a front elevation view thereof; and,

FIG. 7 is a rear elevation view thereof.

**1 Claim, 4 Drawing Sheets**



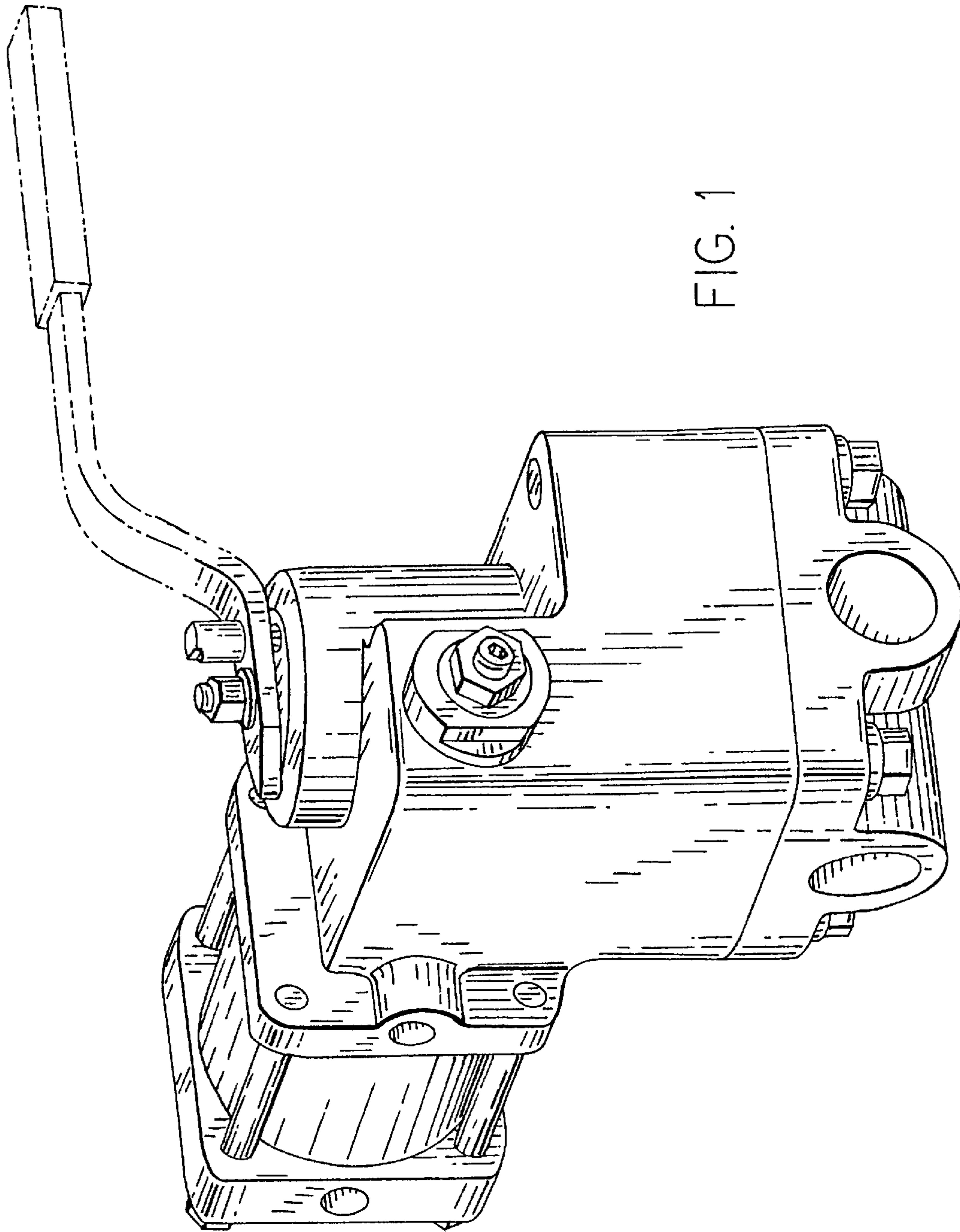


FIG. 1

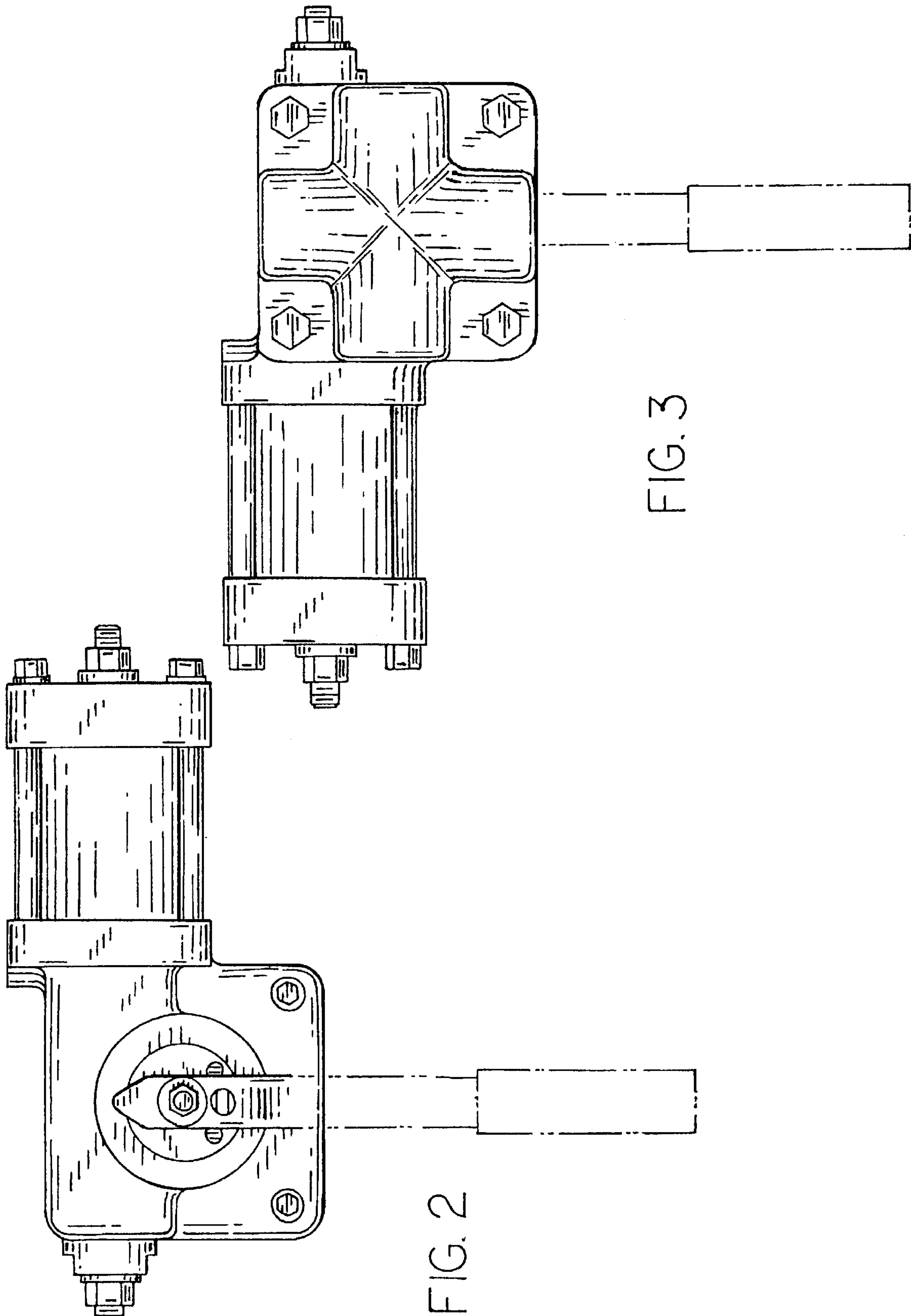


FIG. 2

FIG. 3

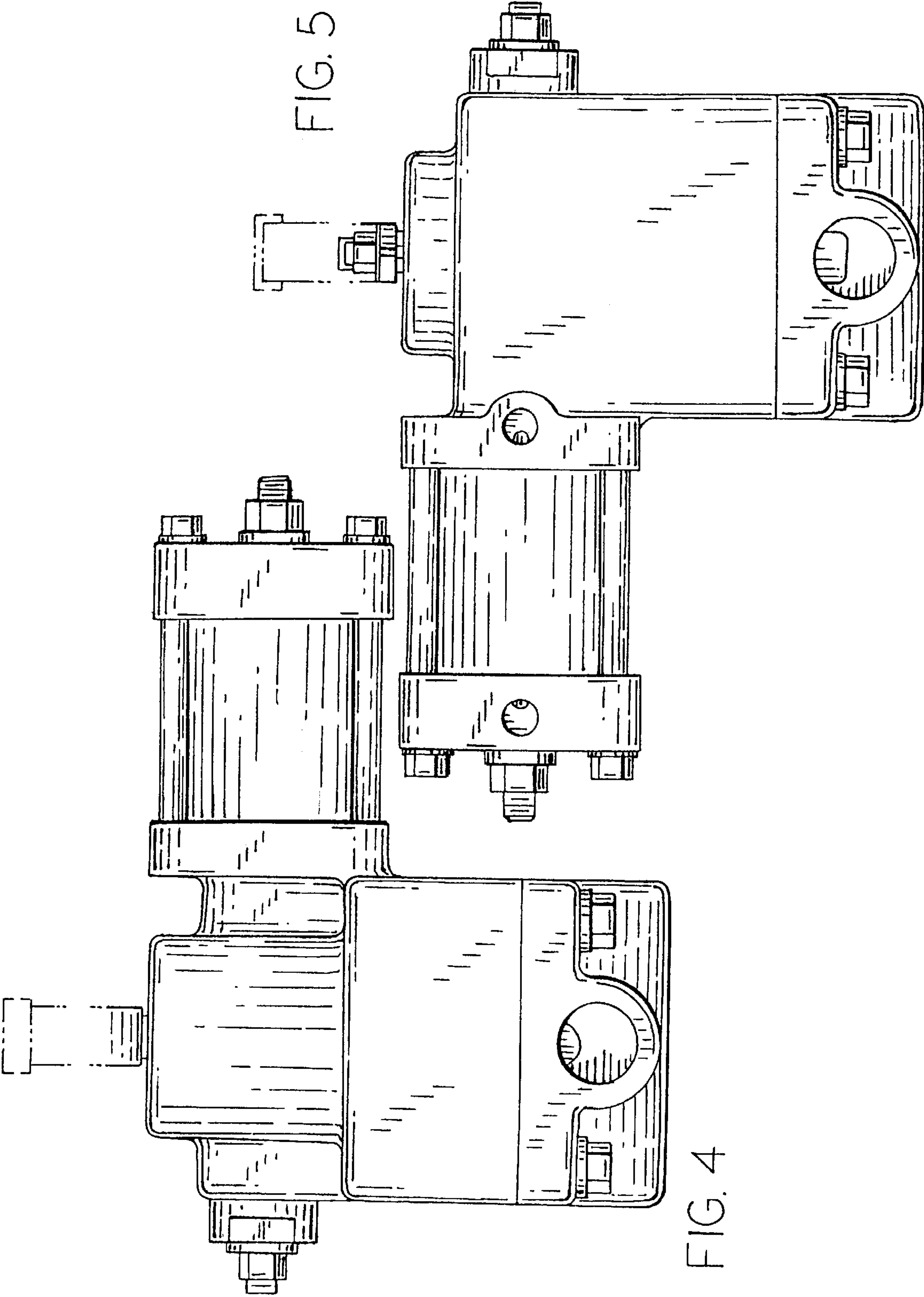


FIG. 5

FIG. 4

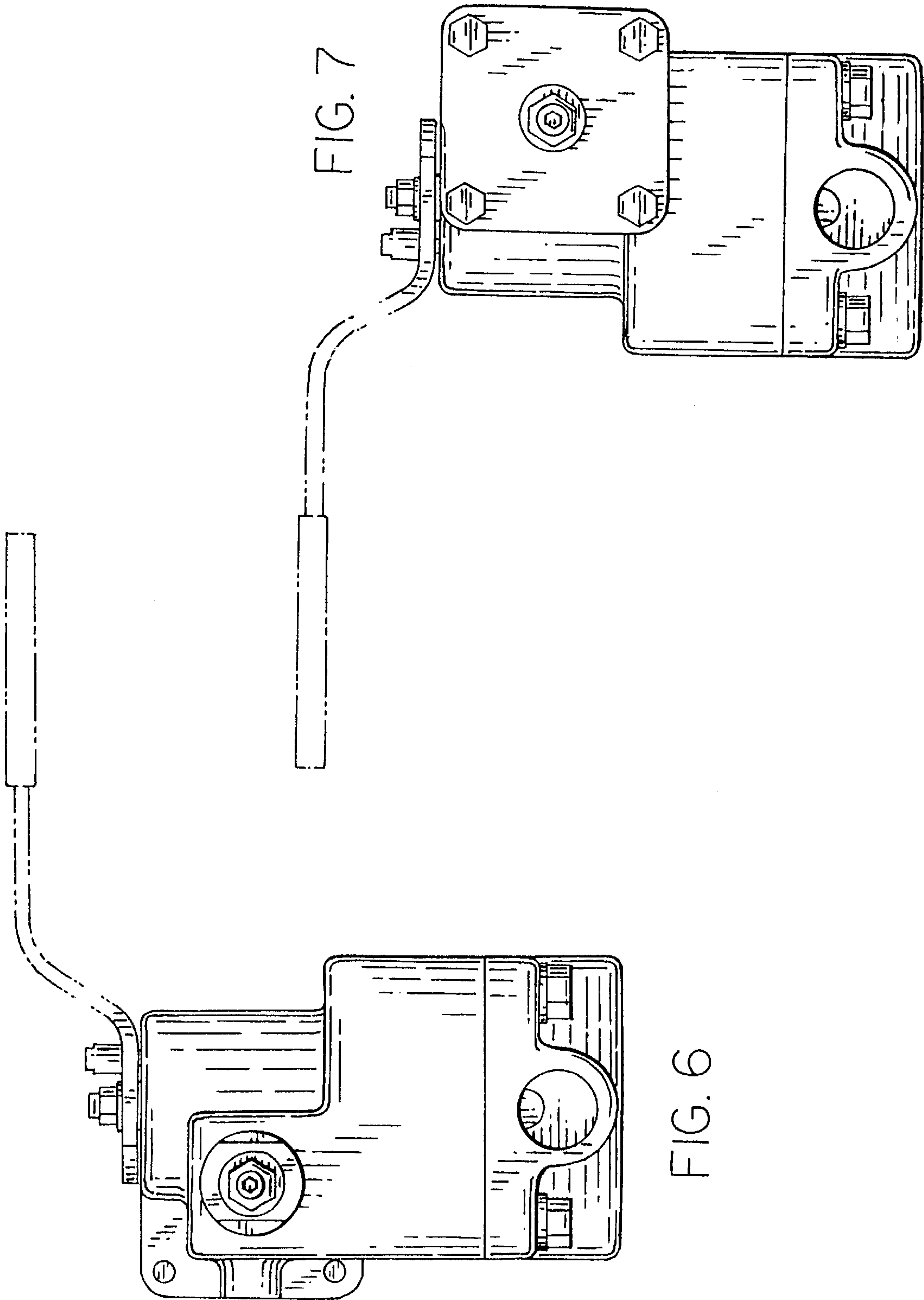


FIG. 7

FIG. 6