



US00D521597S

(12) **United States Design Patent**
Nimberger

(10) **Patent No.:** **US D521,597 S**

(45) **Date of Patent:** **** May 23, 2006**

(54) **5 VALVE LARGE BORE MANIFOLD**

(75) **Inventor:** **Spencer M. Nimberger**, Houston, TX
(US)

(73) **Assignee:** **PGI International, Ltd.**, Houston, TX
(US)

(**) **Term:** **14 Years**

(21) **Appl. No.:** **29/210,485**

(22) **Filed:** **Aug. 2, 2004**

(51) **LOC (8) Cl.** **23-01**

(52) **U.S. Cl.** **D23/233**

(58) **Field of Classification Search** D15/1-5;
D23/233-237, 243-249, 269; D10/121, 85,
D10/99; D8/549, 554; 137/596.13, 596.16,
137/625.64, 884, 593, 595, 7.4, 271, 269,
137/597.16, 1, 505.38, 352, 343, 577; 285/368,
285/910, 189, 142.1, 124.2; 277/23; 210/450,
210/483, 499; 73/23.2, 405 R, 706, 756,
73/861.61

See application file for complete search history.

(56) **References Cited**

U.S. PATENT DOCUMENTS

2,885,005 A * 5/1959 Rhodes 166/97.5
D335,172 S * 4/1993 Tamaki D23/248

D398,375 S * 9/1998 Lynch et al. D23/245
D406,320 S * 3/1999 Lynch et al. D23/245
D420,101 S * 2/2000 Hiramatsu et al. D23/233
D423,387 S 4/2000 Hutton
D427,931 S 7/2000 Hutton
D433,481 S * 11/2000 Kaneko et al. D23/233

* cited by examiner

Primary Examiner—Ian Simmons

Assistant Examiner—Maurice Stevens

(74) *Attorney, Agent, or Firm*—Browning Bushman P.C.

(57) **CLAIM**

The ornamental design for a 5 valve large bore manifold, as shown and described.

DESCRIPTION

FIG. 1 is a perspective view of a 5 valve large bore manifold, showing my new design;

FIG. 2 is a top view thereof;

FIG. 3 is a bottom view thereof;

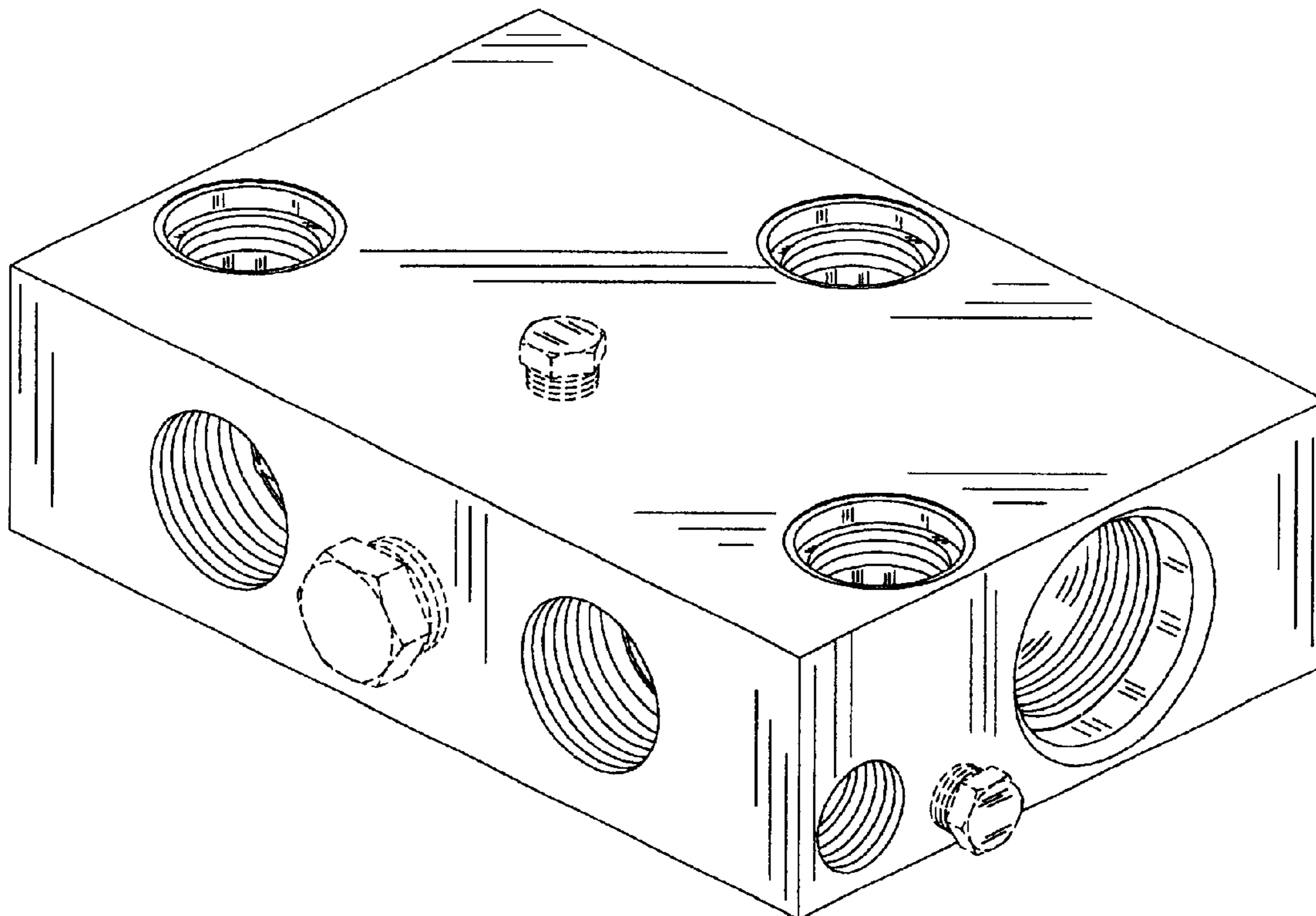
FIG. 4 is a rear view thereof;

FIG. 5 is a front view thereof; and,

FIG. 6 is a right side view, the left side view being a mirror image thereof.

The broken lines shown in all of the figures are for illustrative purposes only and form no part of the claimed design.

1 Claim, 6 Drawing Sheets



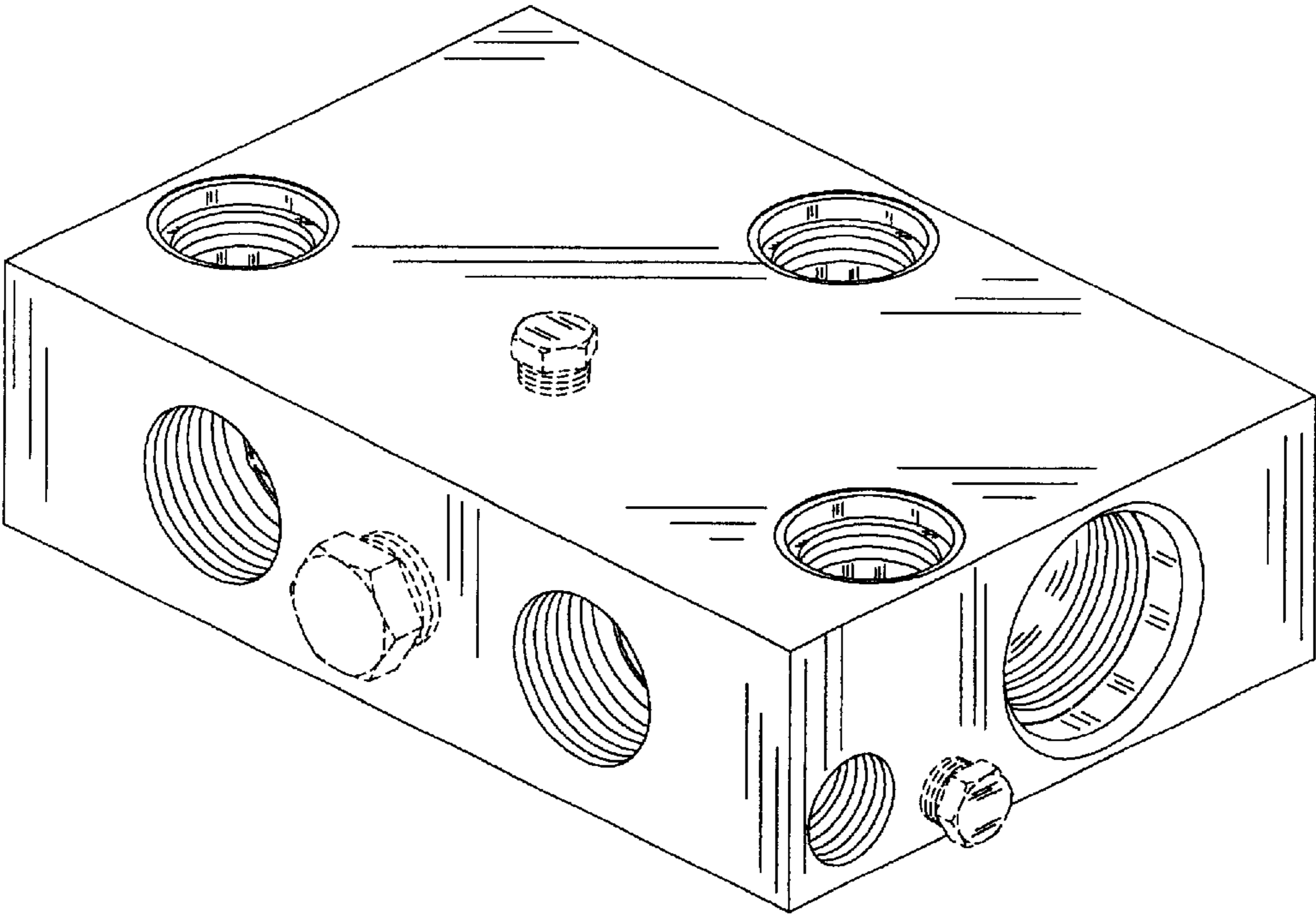


FIG. 1

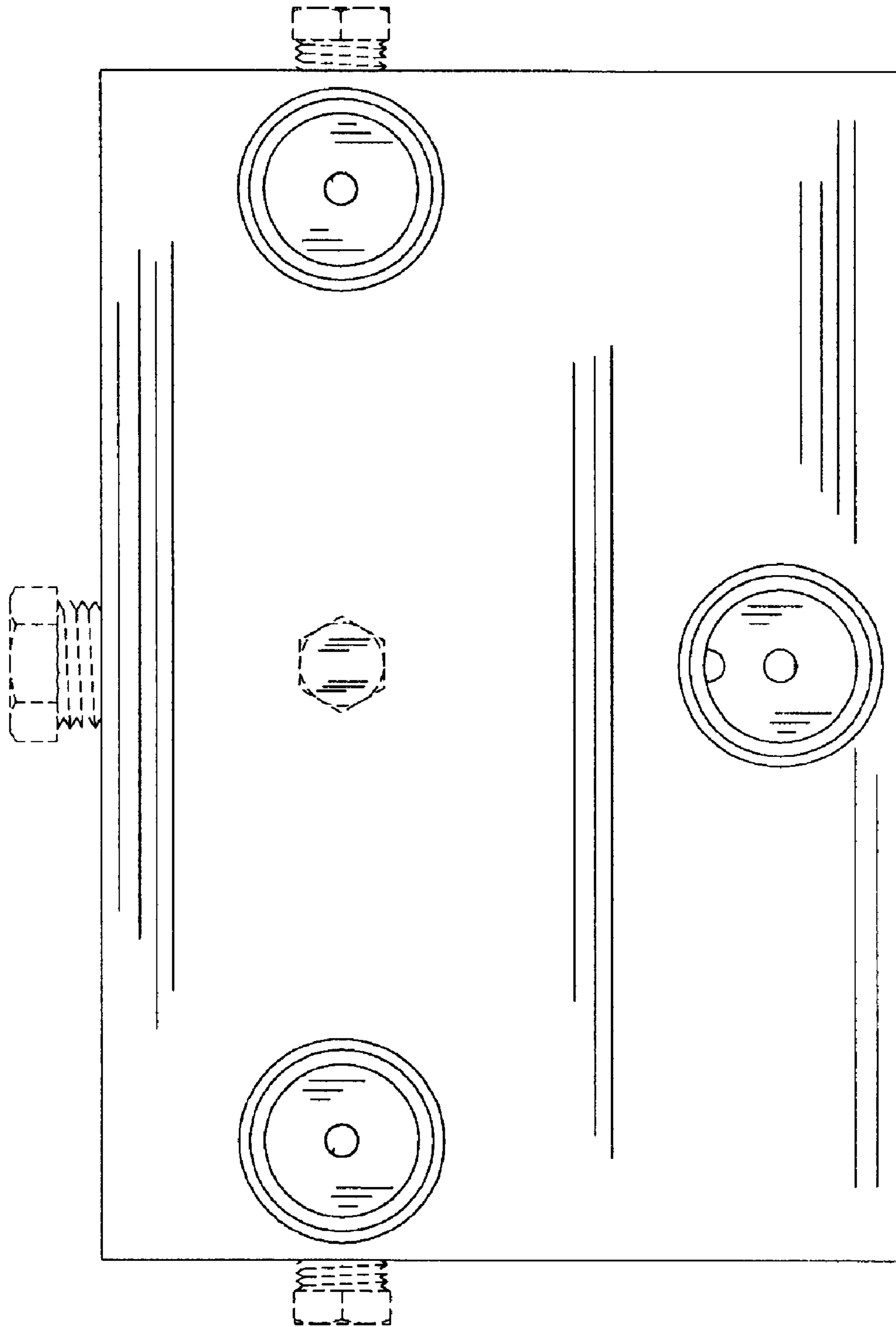


FIG. 2

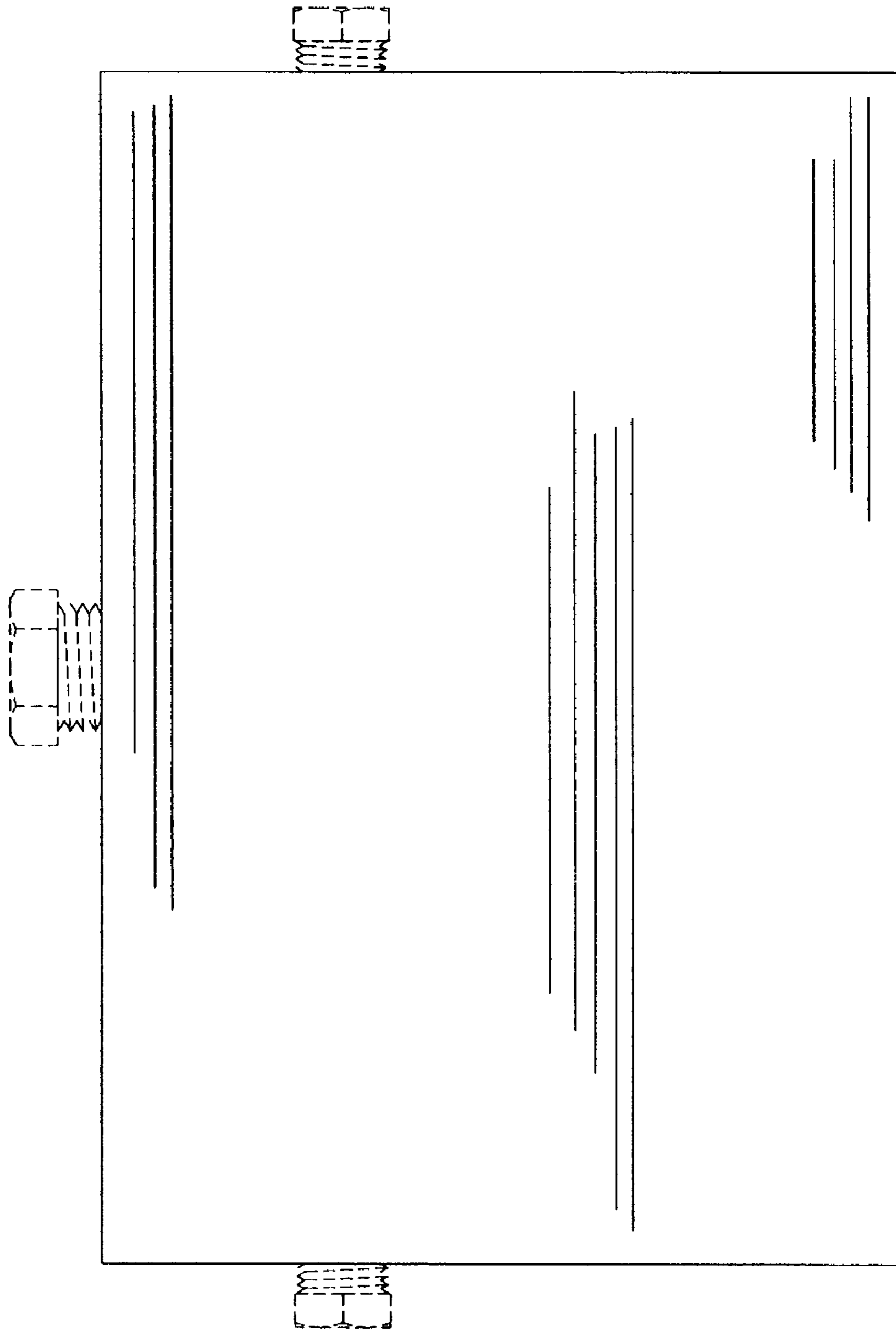


FIG. 3

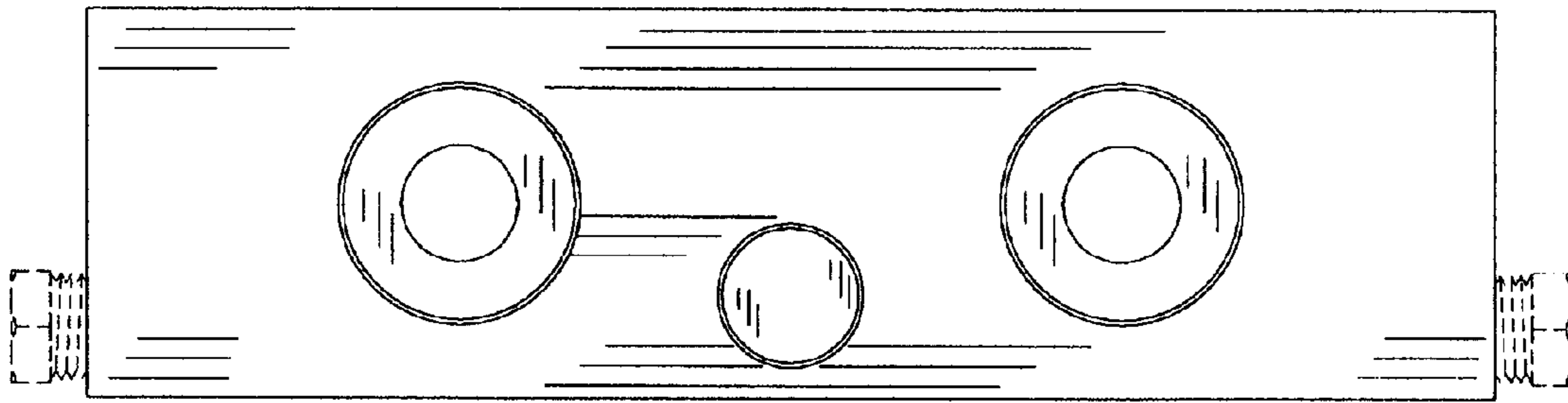


FIG. 4

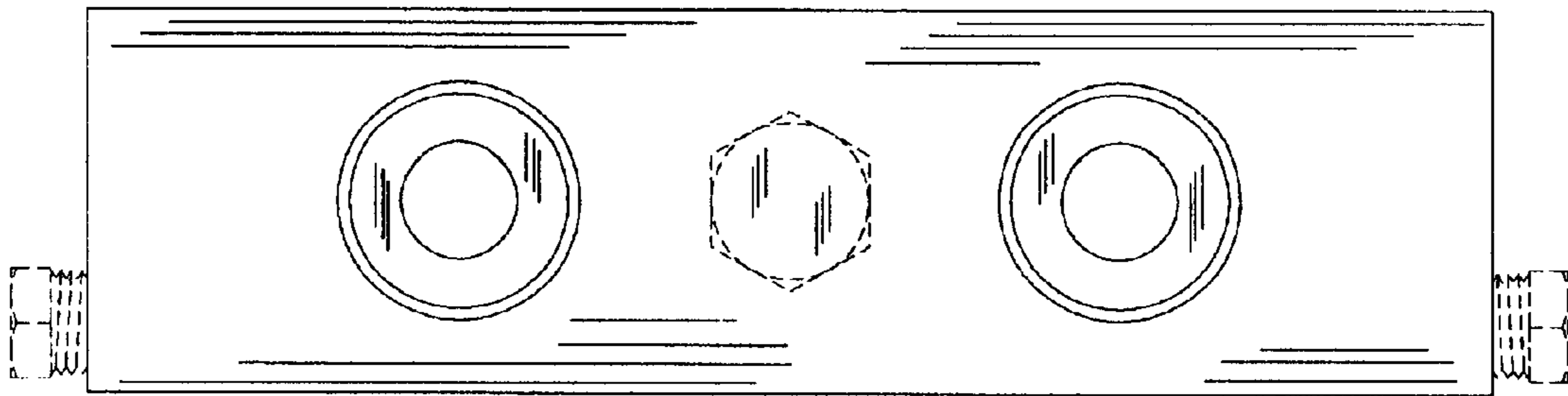


FIG. 5

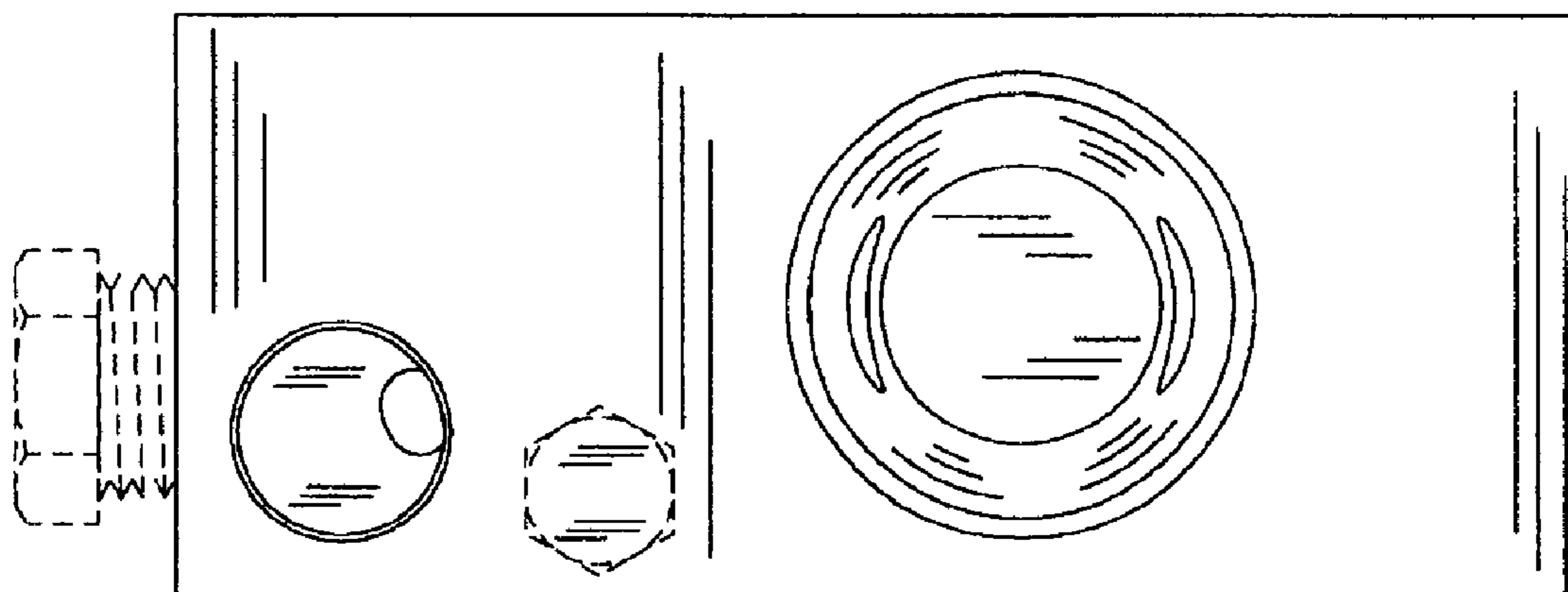


FIG. 6