

US00D521592S

(12) **United States Design Patent** (10) **Patent No.:** **US D521,592 S**
Von Langsdorff (45) **Date of Patent:** **** May 23, 2006**

(54) **PAVING STONE**

(75) Inventor: **Harald Von Langsdorff**, Inglewood (CA)

(73) Assignee: **F. von Langdorff Licensing Limited**, Caledon (CA)

(**) Term: **14 Years**

(21) Appl. No.: **29/228,639**

(22) Filed: **Apr. 27, 2005**

Related U.S. Application Data

(62) Division of application No. 29/193,777, filed on Nov. 14, 2003, now Pat. No. Des. 511,012.

(51) **LOC (8) Cl.** **25-01**

(52) **U.S. Cl.** **D23/113**

(58) **Field of Classification Search** D25/112-118, D25/164; D21/483-486, 499-500; 404/17, 404/19-20, 27-31, 34-42; 52/102, 596, 574, 52/612, 603-609

See application file for complete search history.

(56) **References Cited**

U.S. PATENT DOCUMENTS

D389,926 S	1/1998	Barth et al.
D425,628 S	5/2000	Barth et al.
D431,305 S	9/2000	Barth et al.
D485,370 S	1/2004	Schmitz et al.
D498,543 S	11/2004	Schmitz et al.

Primary Examiner—Robert A. Delehanty
(74) *Attorney, Agent, or Firm*—Santosh K. Chari; Blake, Cassels & Graydon LLP

(57) **CLAIM**

The ornamental design for a paving stone, as shown and described.

DESCRIPTION

FIG. 1 is a perspective view of a first embodiment of the design;

FIG. 2 is a top view of the design of FIG. 1;

FIG. 3 is a bottom view of the design of FIG. 1;

FIG. 4 is a right side view of the design of FIG. 1;

FIG. 5 is a front end view of the design of FIG. 1;

FIG. 6 is a rear end view of the design of FIG. 1;

FIG. 7 is a left side view of the design of FIG. 1;

FIG. 8 is a perspective view of a variant of the design of FIG. 1;

FIG. 9 is a perspective view of a second embodiment of the design;

FIG. 10 is a top view of the design of FIG. 9;

FIG. 11 is a bottom view of the design of FIG. 9;

FIG. 12 is a right side view of the design of FIG. 9;

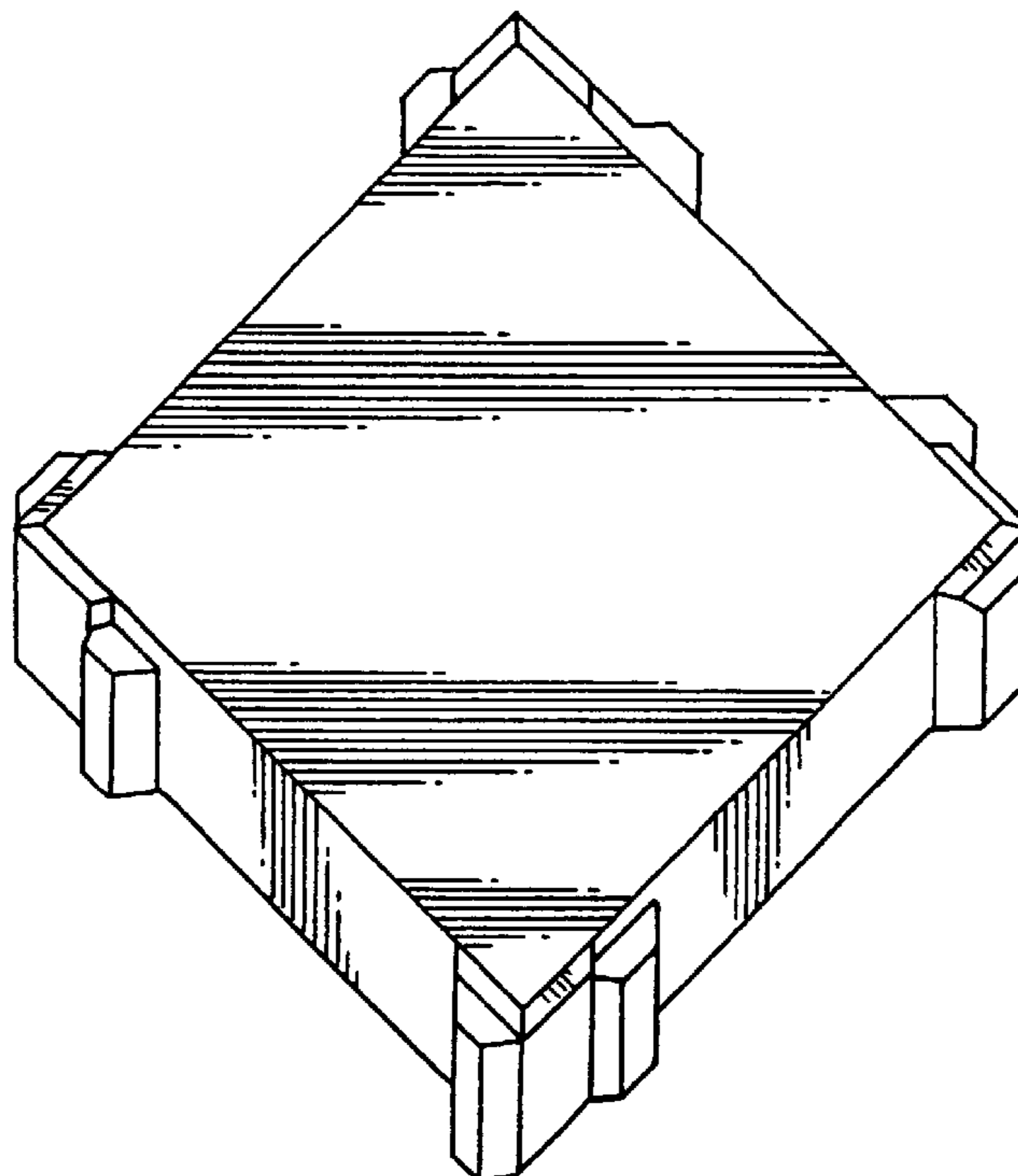
FIG. 13 is a front end view of the design of FIG. 9;

FIG. 14 is a rear end view of the design of FIG. 9;

FIG. 15 is a left side view of the design of FIG. 9; and,

FIG. 16 is a perspective view of a variant of the design of FIG. 9.

1 Claim, 6 Drawing Sheets



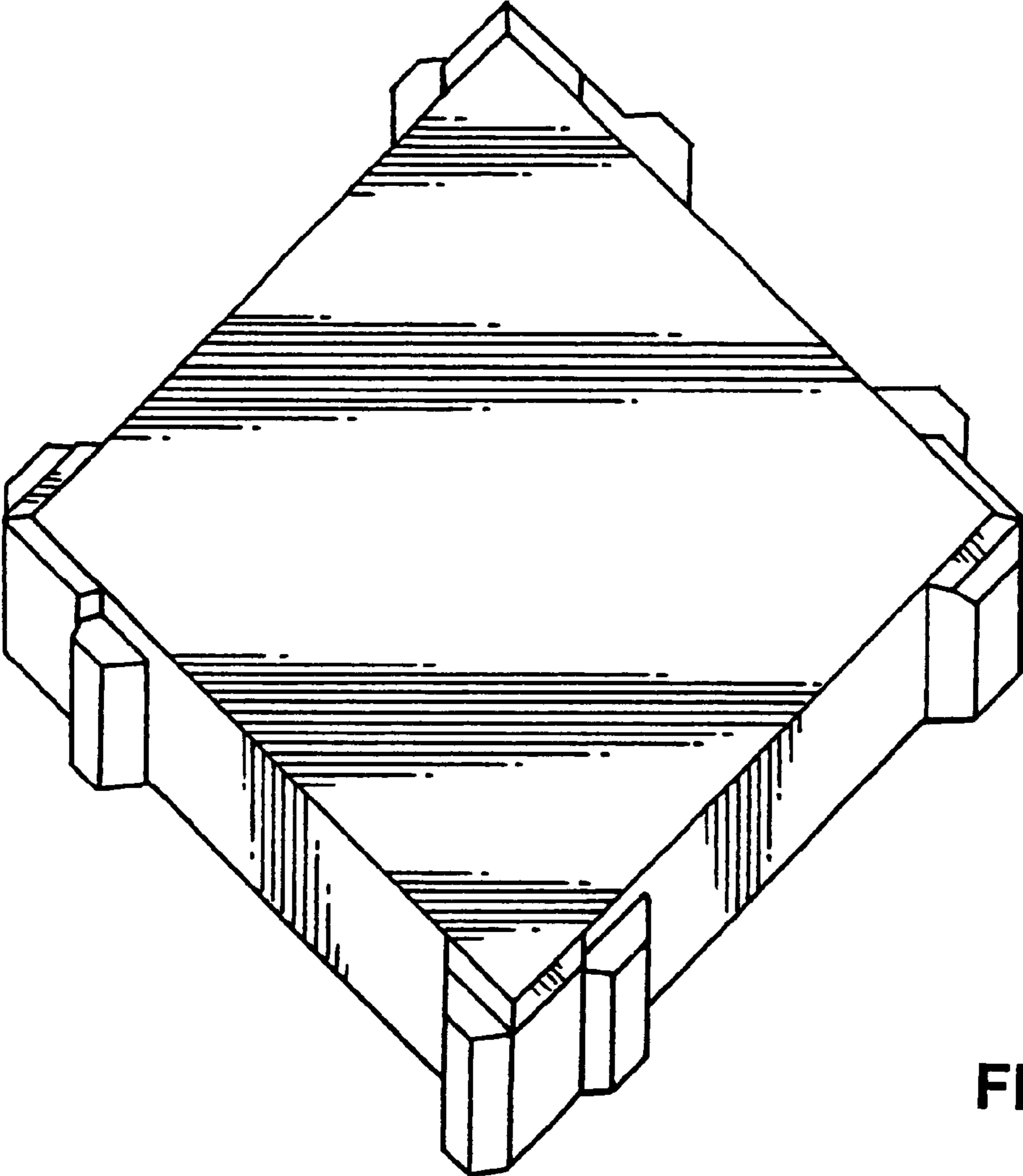


FIG. 1

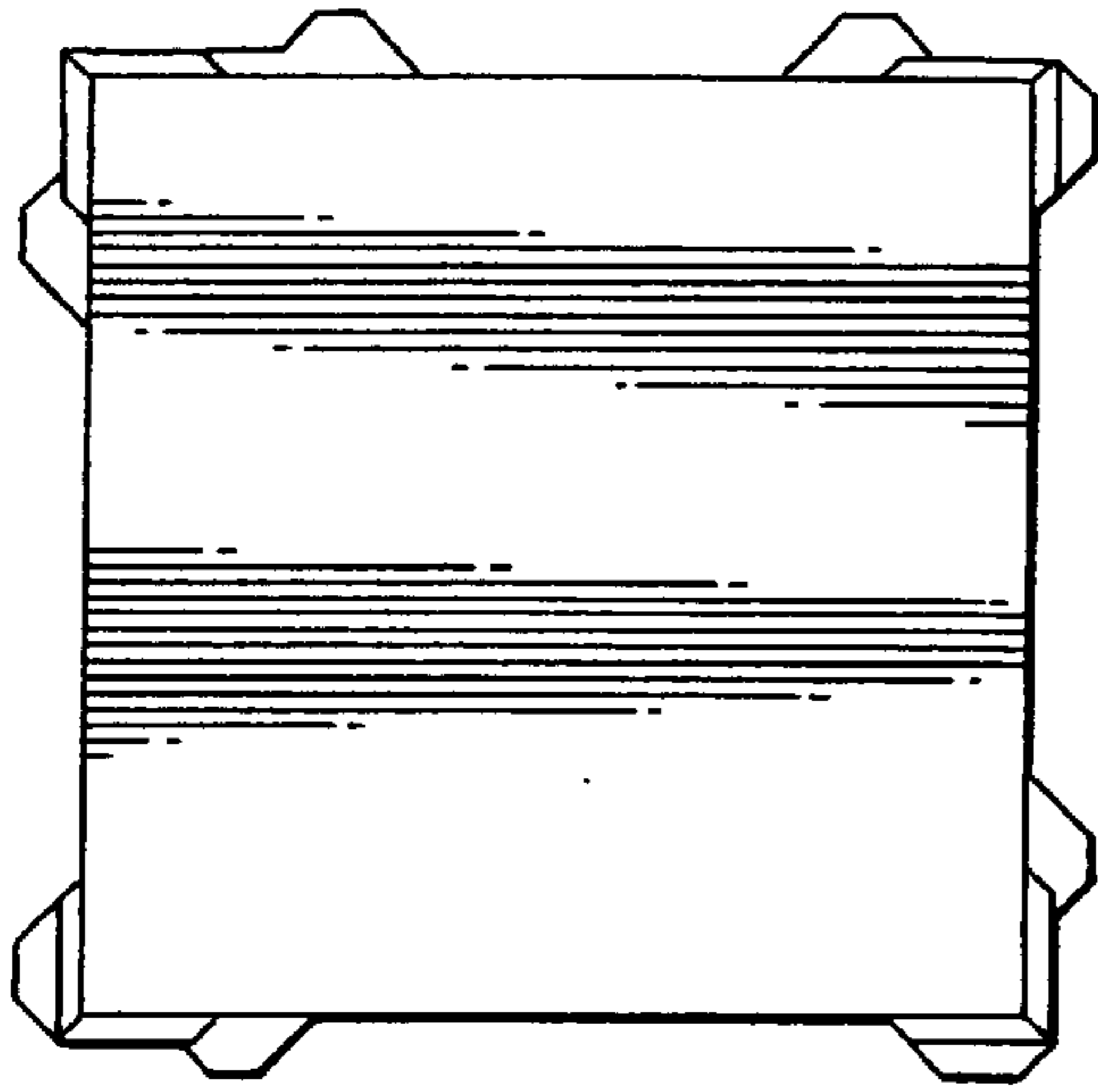


FIG. 2

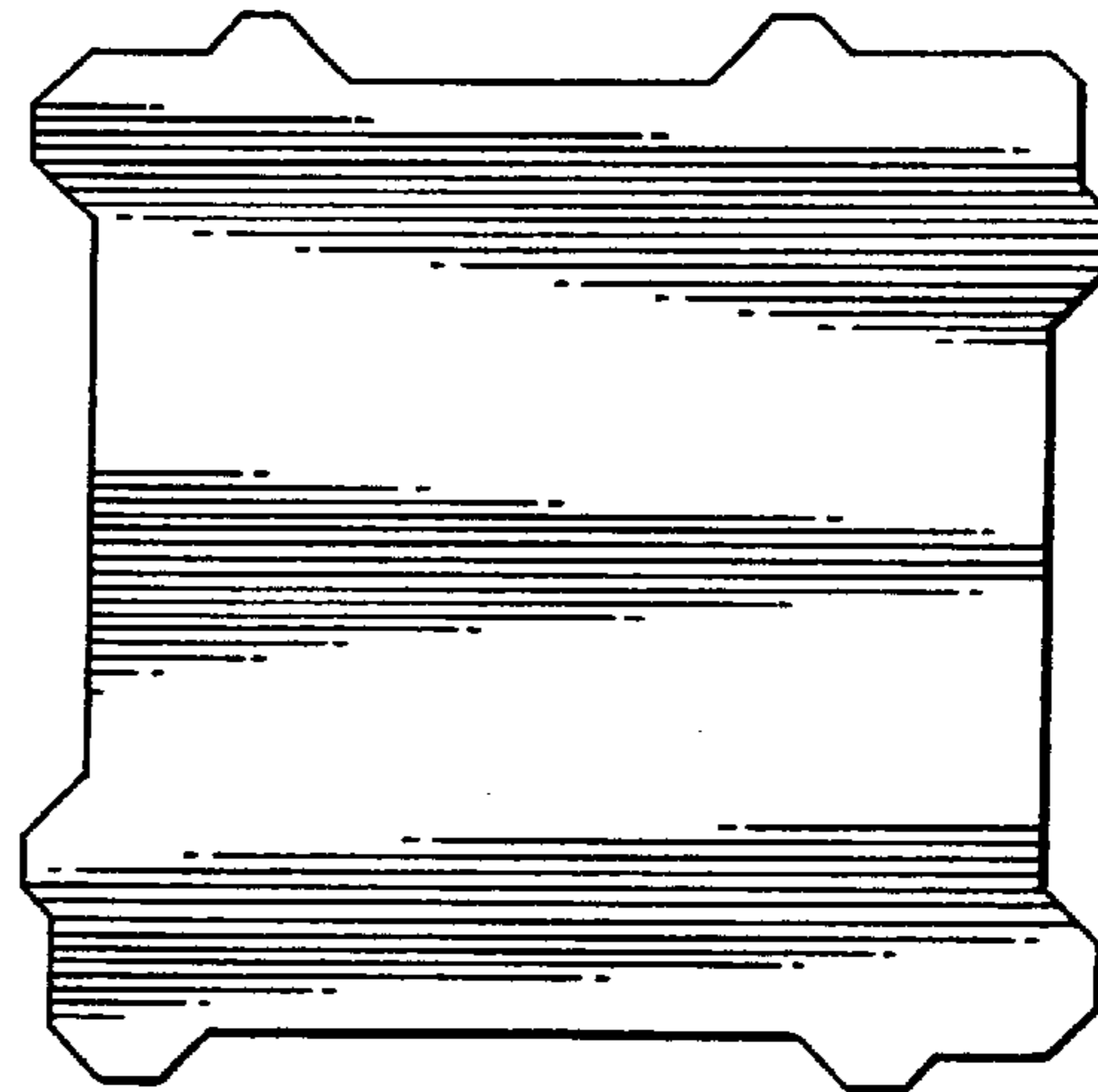


FIG. 3



FIG. 4



FIG. 5

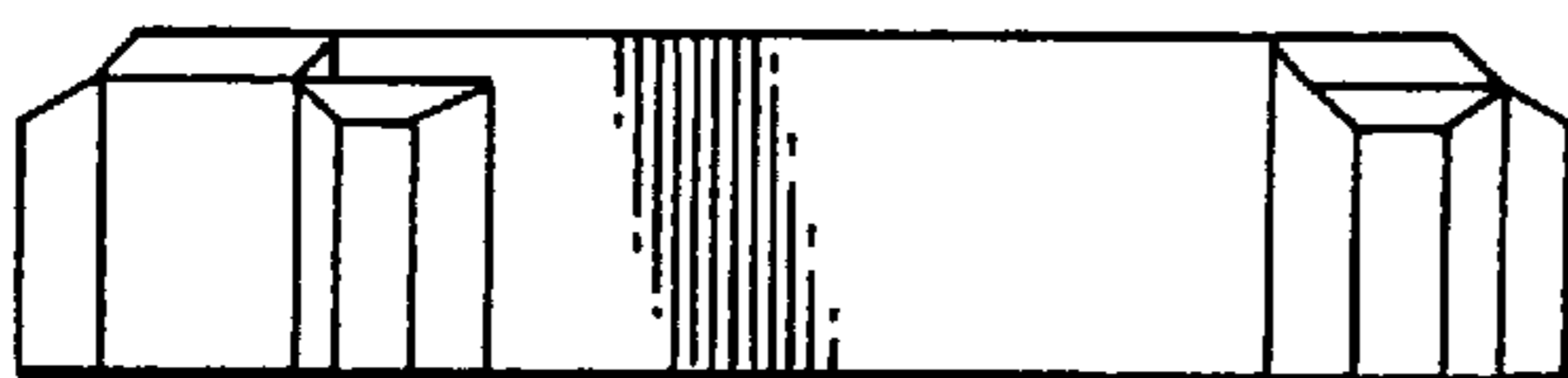


FIG. 6

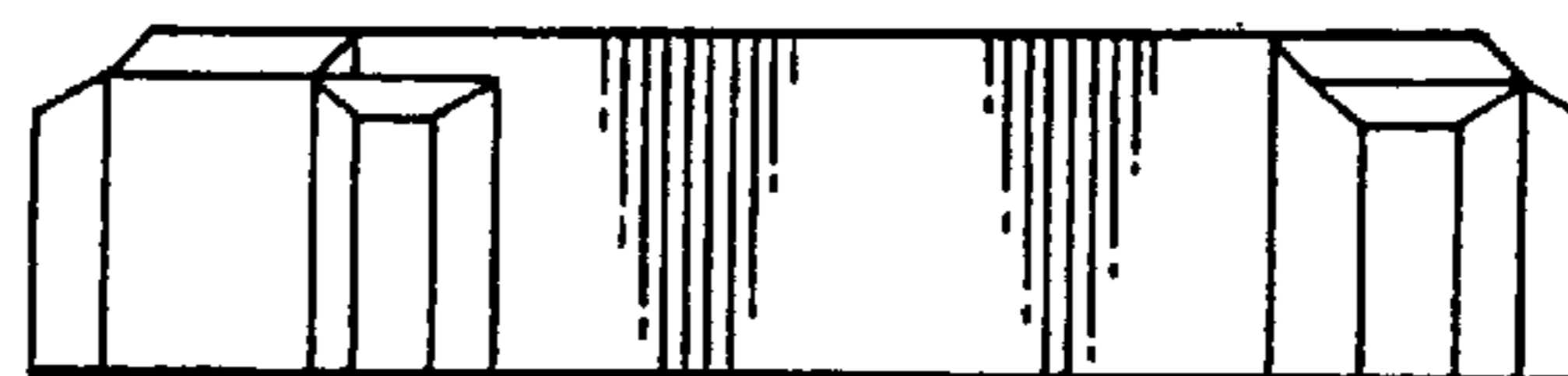


FIG. 7

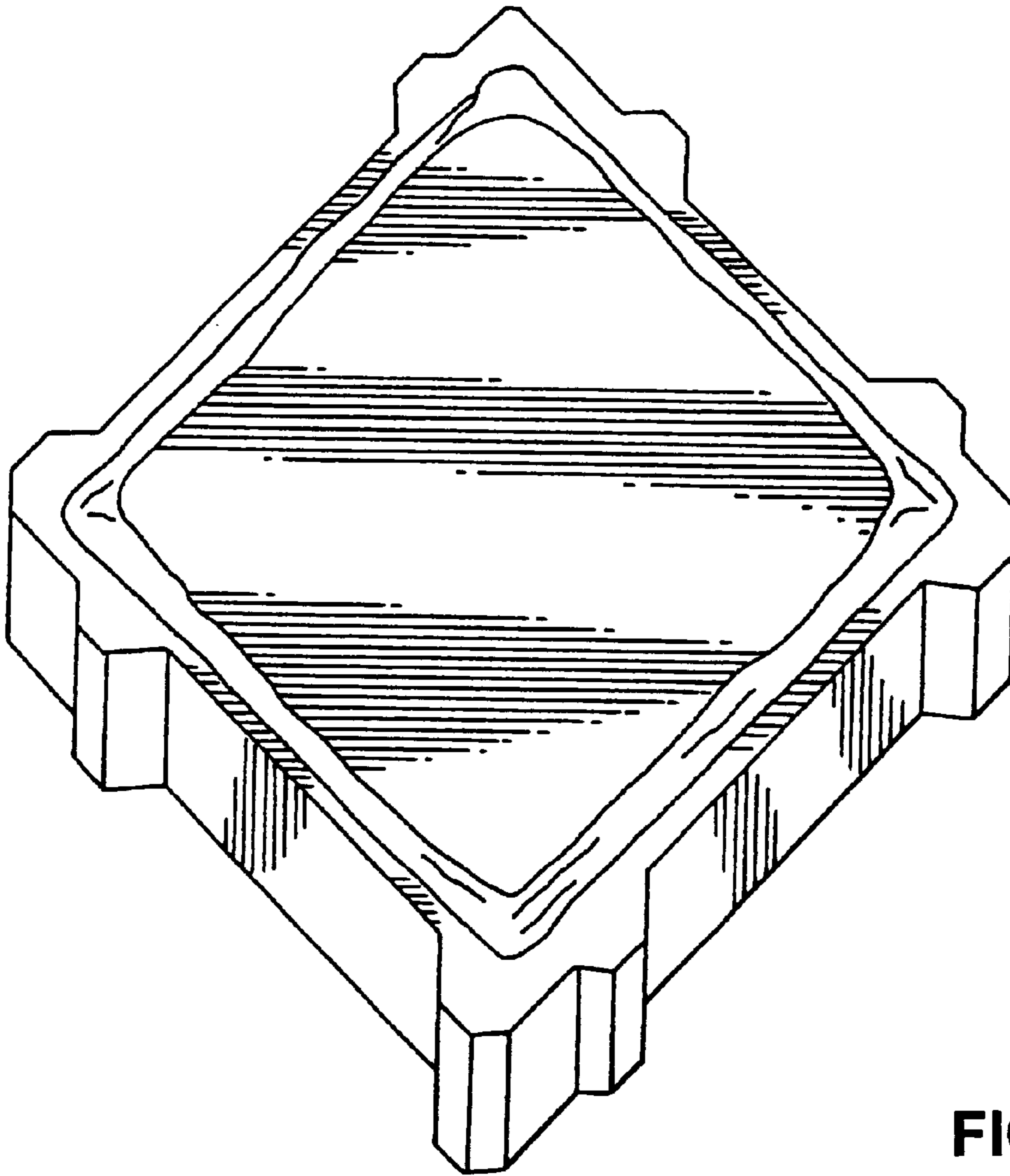


FIG. 8

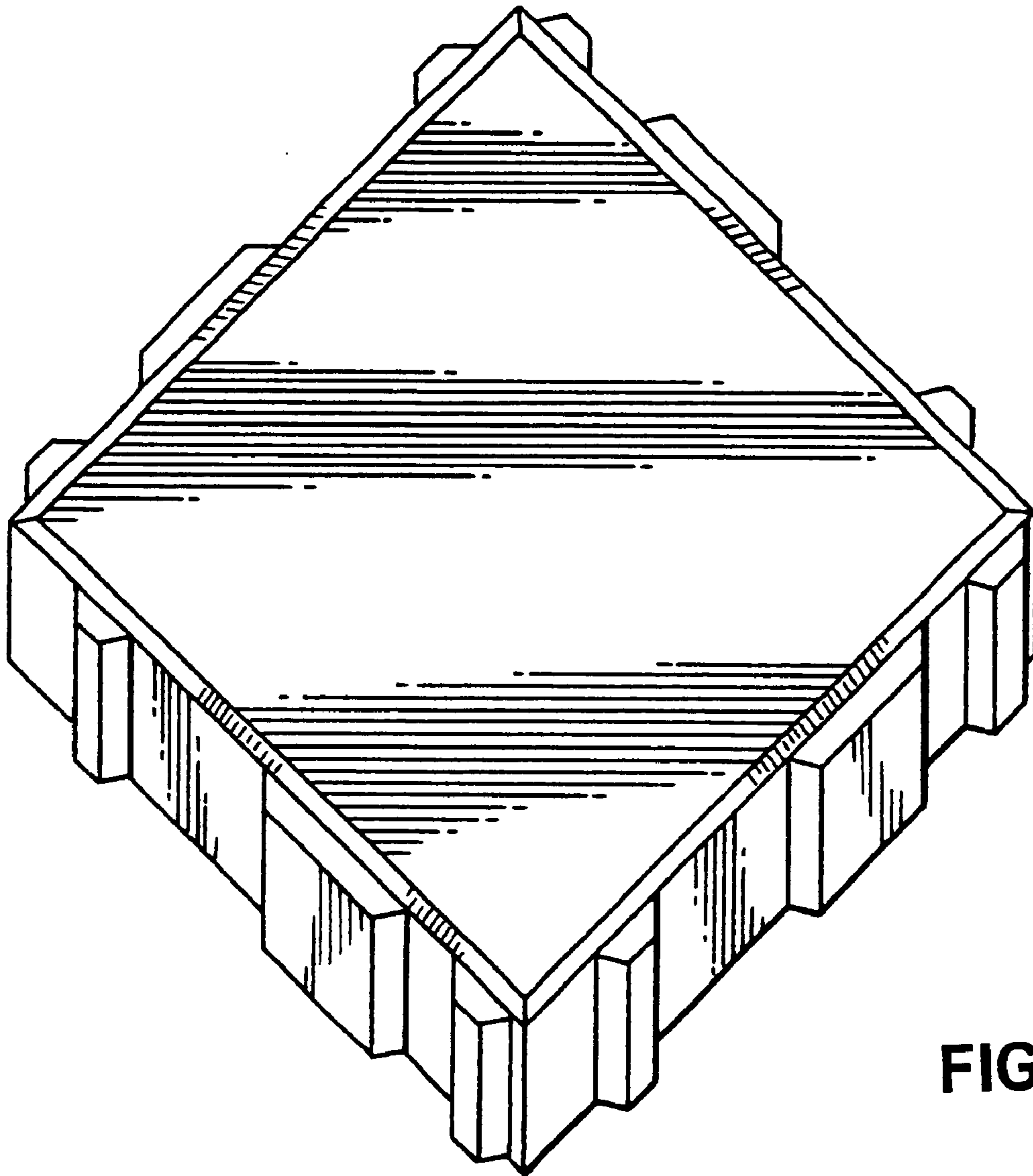


FIG. 9

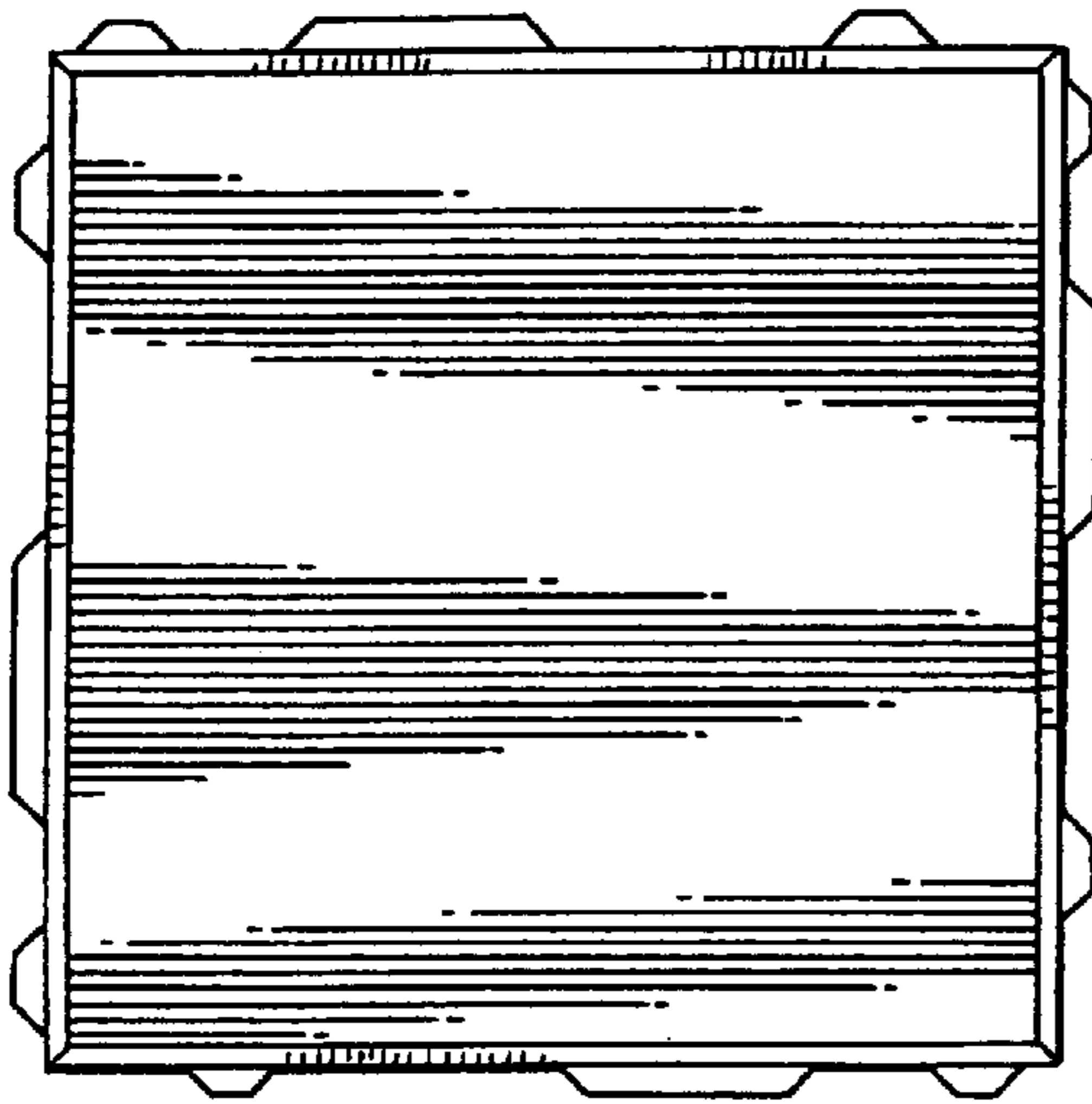


FIG. 10

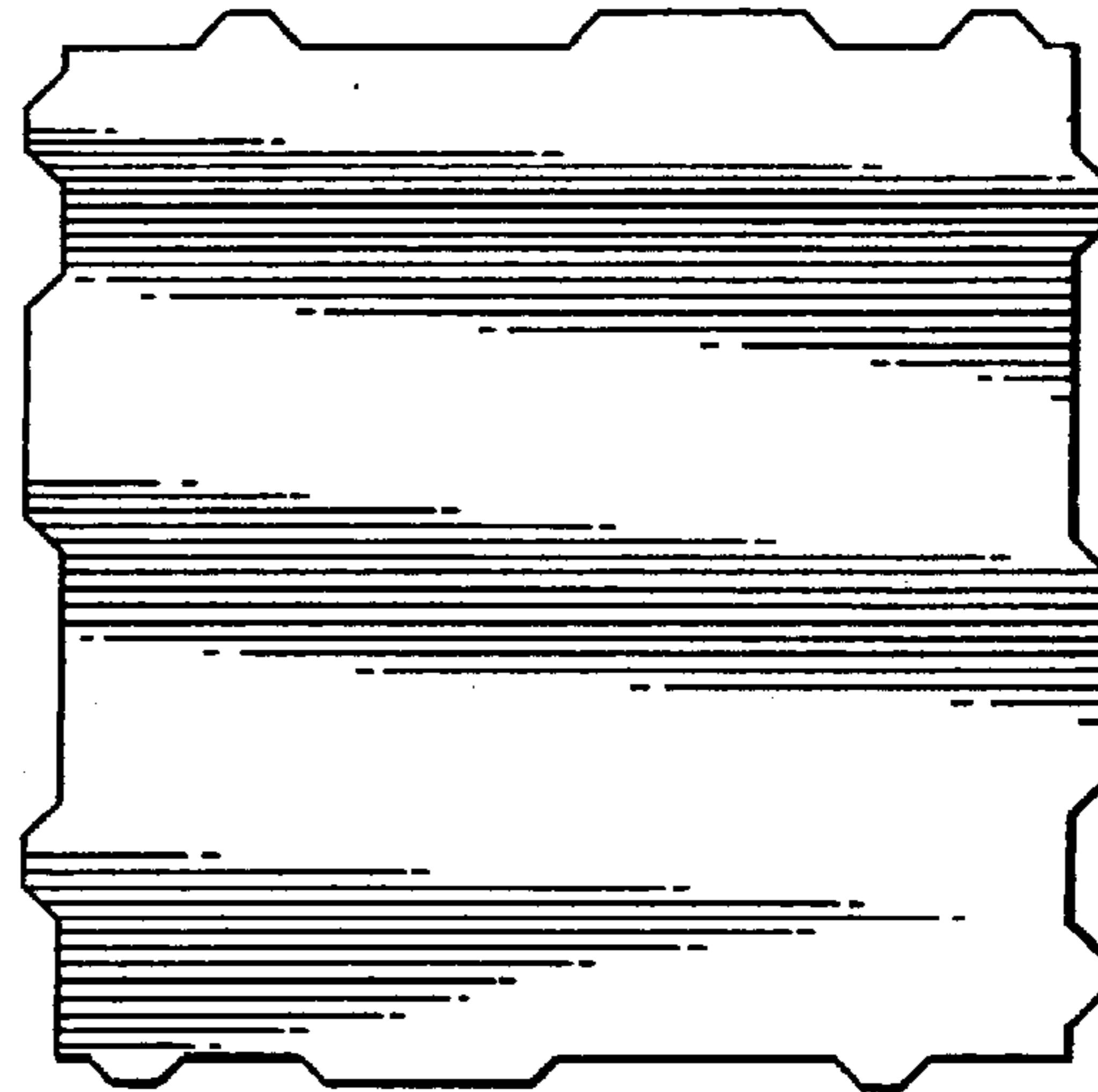


FIG. 11

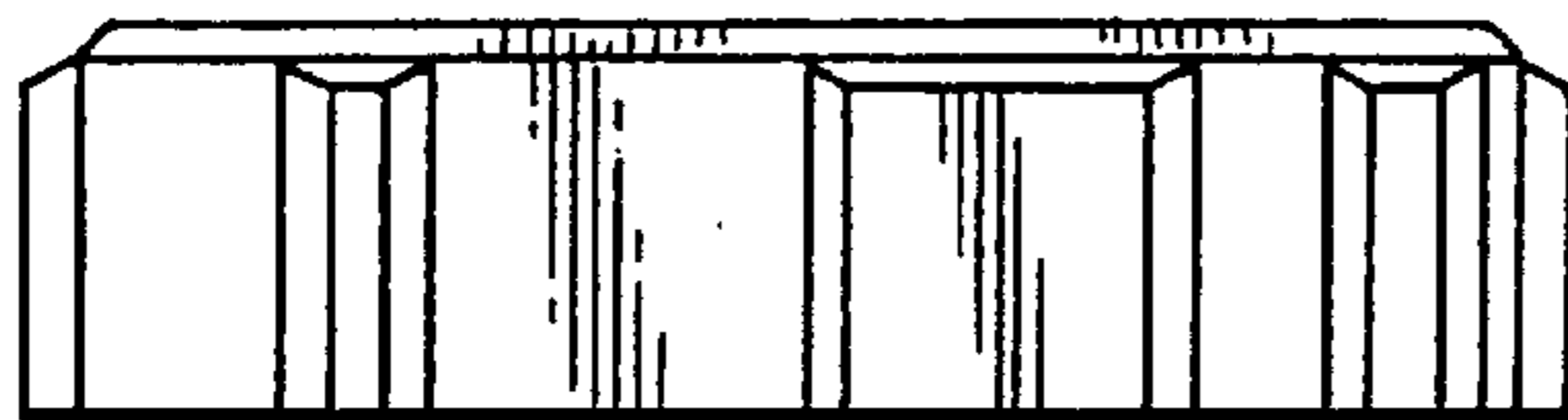


FIG. 12

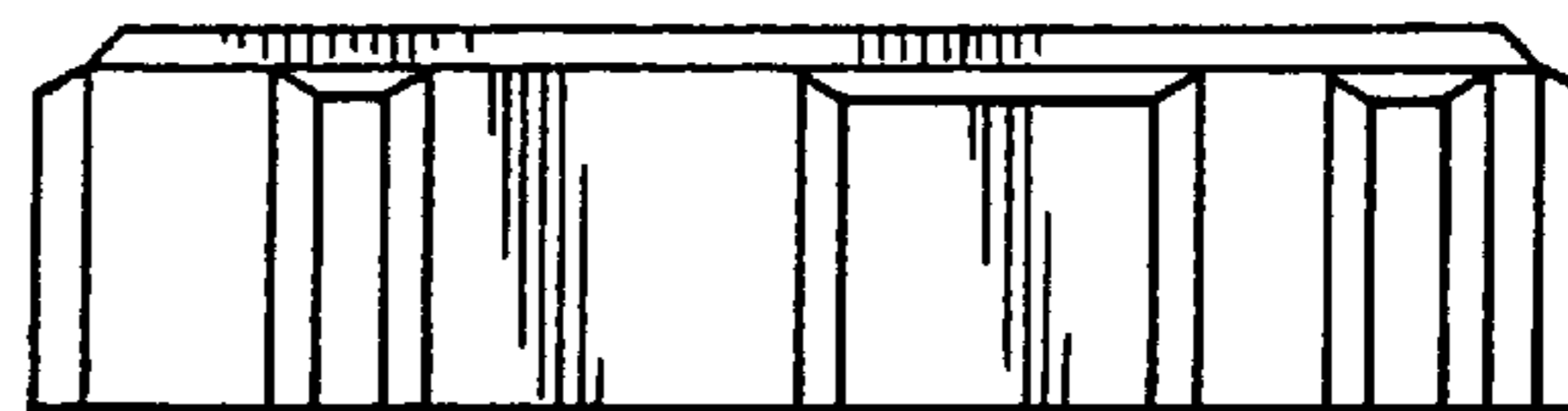


FIG. 13

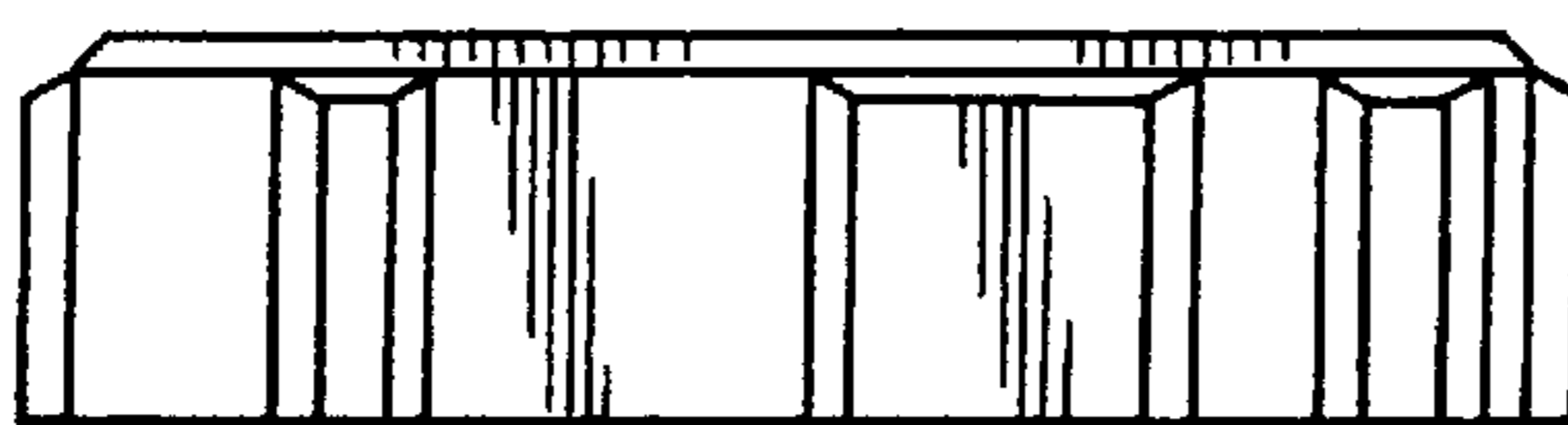


FIG. 14

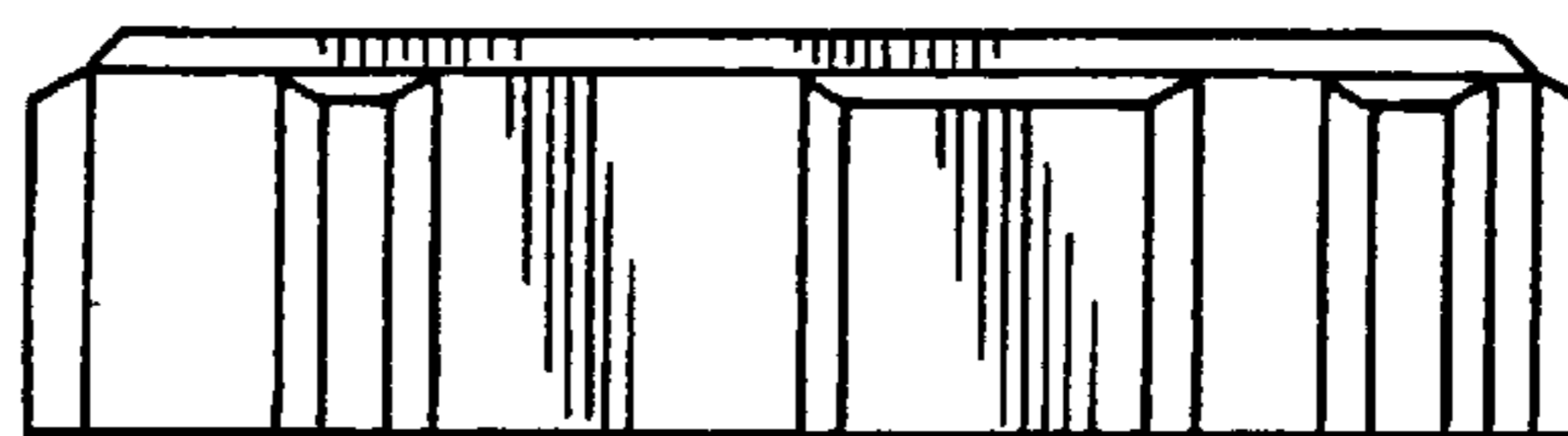


FIG. 15

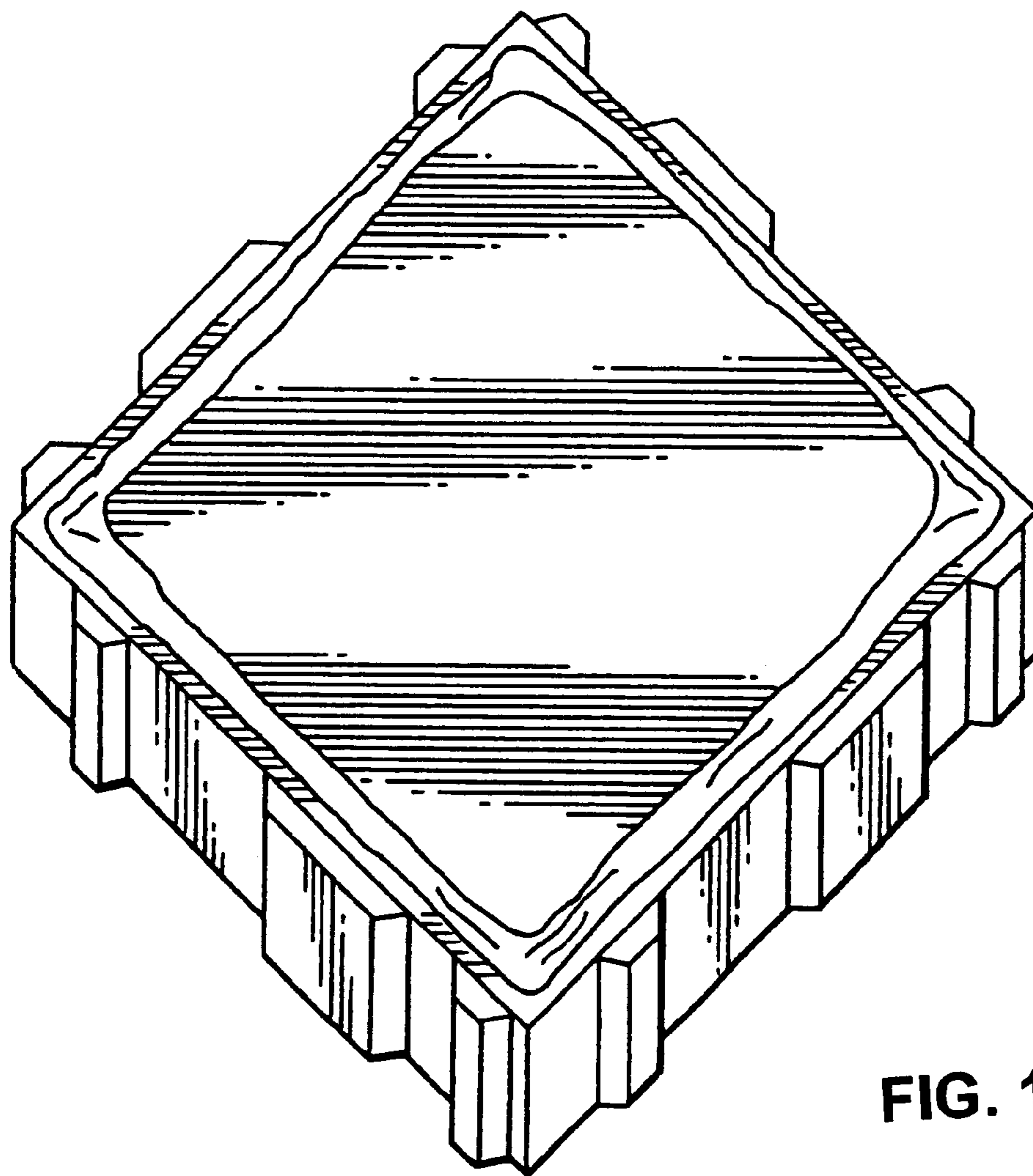


FIG. 16