



US00D521591S

(12) **United States Design Patent**  
**Warren**

(10) **Patent No.:** **US D521,591 S**

(45) **Date of Patent:** **\*\* May 23, 2006**

(54) **GUN SIGHT**

(75) Inventor: **Scott M. Warren**, 15702 Beacon Ct.,  
Montclair, VA (US) 22026

(73) Assignee: **Scott M. Warren**, Montclair, VA (US)

(\*\*) Term: **14 Years**

(21) Appl. No.: **29/237,081**

(22) Filed: **Aug. 26, 2005**

**Related U.S. Application Data**

(62) Division of application No. 29/208,580, filed on Jun. 30,  
2004.

(51) **LOC (8) Cl.** ..... **22-01**

(52) **U.S. Cl.** ..... **D22/109; D22/110**

(58) **Field of Classification Search** ..... D22/100,  
D22/108-110, 199; 42/111-113, 124, 134-145;  
89/161, 41.19, 200-204; 33/227

See application file for complete search history.

(56) **References Cited**

**U.S. PATENT DOCUMENTS**

1,363,553 A	12/1920	Barringer	
D273,217 S	3/1984	Swenson	
D296,227 S	6/1988	Novak	
D301,512 S	6/1989	Novak	
D305,146 S	12/1989	Novak	
D305,561 S	1/1990	Novak	
D315,776 S	3/1991	Novak	
D351,449 S	10/1994	Dagley	
D352,087 S	11/1994	Stevens et al.	
D361,366 S	* 8/1995	Emerson	D22/109
D363,334 S	* 10/1995	De Oliveira Masina ...	D22/109
5,822,872 A	10/1998	Waki	
D403,734 S	1/1999	Kay	
D407,788 S	4/1999	Kay	
6,035,539 A	3/2000	Hollenbach et al.	
D428,102 S	* 7/2000	Flubacher et al. ....	D22/109
D432,618 S	10/2000	Wilson	

D435,080 S	12/2000	Ling, Jr.	
D435,282 S	12/2000	Ling, Jr.	
D435,625 S	12/2000	Ling, Jr.	
D436,393 S	1/2001	Ling, Jr.	
6,216,351 B1	4/2001	Flubacher et al.	
6,230,414 B1 *	5/2001	Glock	42/139
D447,205 S *	8/2001	Keng	D22/109
D447,206 S	8/2001	Ling, Jr.	
D492,747 S	7/2004	LoRocco	
6,834,457 B1 *	12/2004	Warren	42/141

**OTHER PUBLICATIONS**

*Wilson Combat* 2001 Master Catalog, cover and selected pp.  
71-73.

\* cited by examiner

*Primary Examiner*—Ian Simmons

*Assistant Examiner*—Melanie Levy

(74) *Attorney, Agent, or Firm*—Fay, Sharpe, Fagan,  
Minnich & McKee, LLP

(57) **CLAIM**

The ornamental design for a gun sight, as shown and  
described.

**DESCRIPTION**

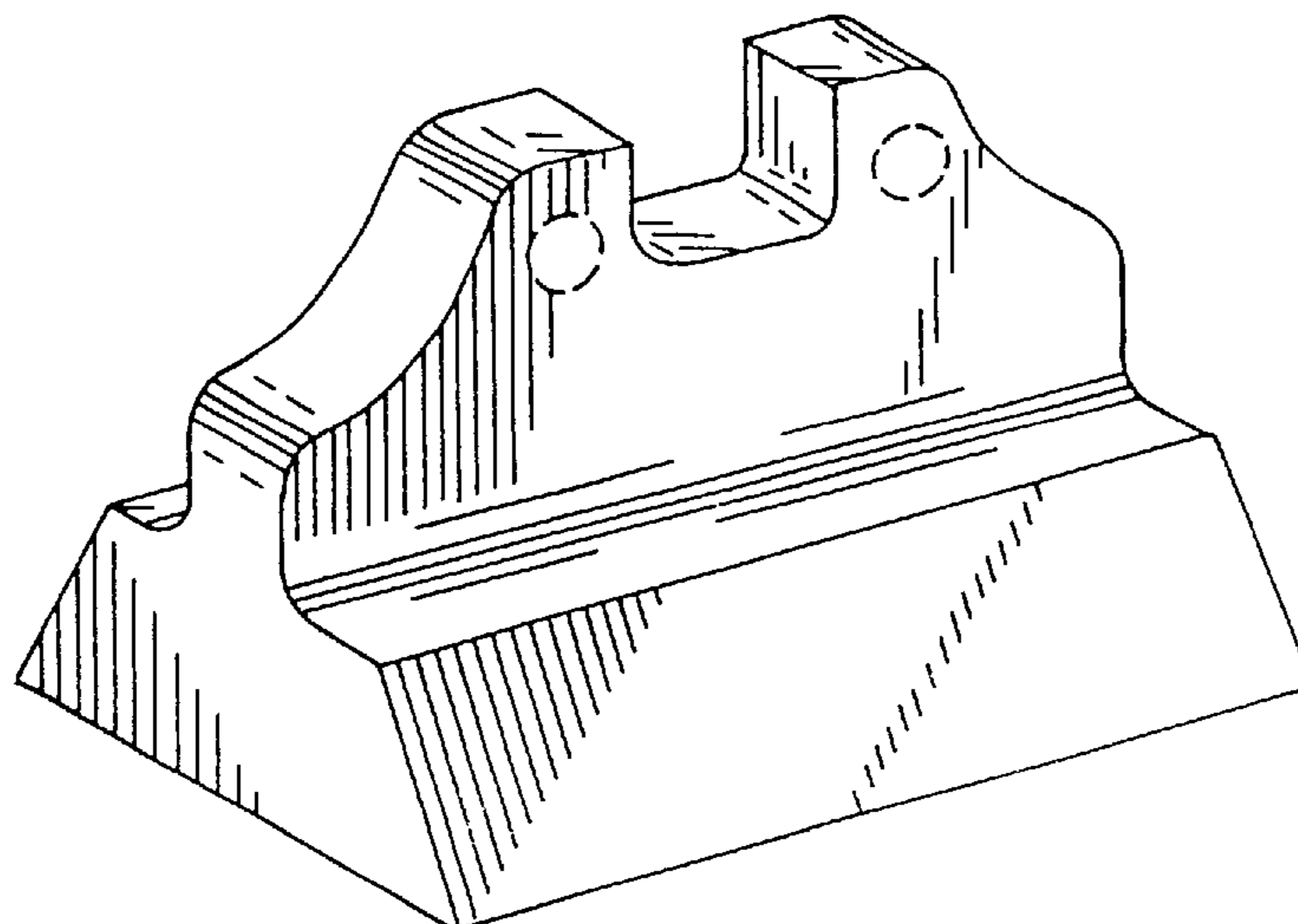
FIG. 1 is a rear perspective view of a gun sight according to  
the present invention showing my new design;

FIG. 2 is a top plan view of the gun sight shown in FIG. 1;  
FIG. 3 is a rear elevational view of the gun sight shown in  
FIG. 1, the front side elevational view being a mirror image  
of the rear elevational view except for the sight dots which  
are not claimed; and,

FIG. 4 is a right side elevational view of the gun sight shown  
in FIG. 1, the left side being a mirror image of the right side.  
The bottom of the gun sight shown in FIG. 1 has no  
ornamentation.

The broken lines are for illustrative purposes only and form  
no part of the claimed design.

**1 Claim, 1 Drawing Sheet**



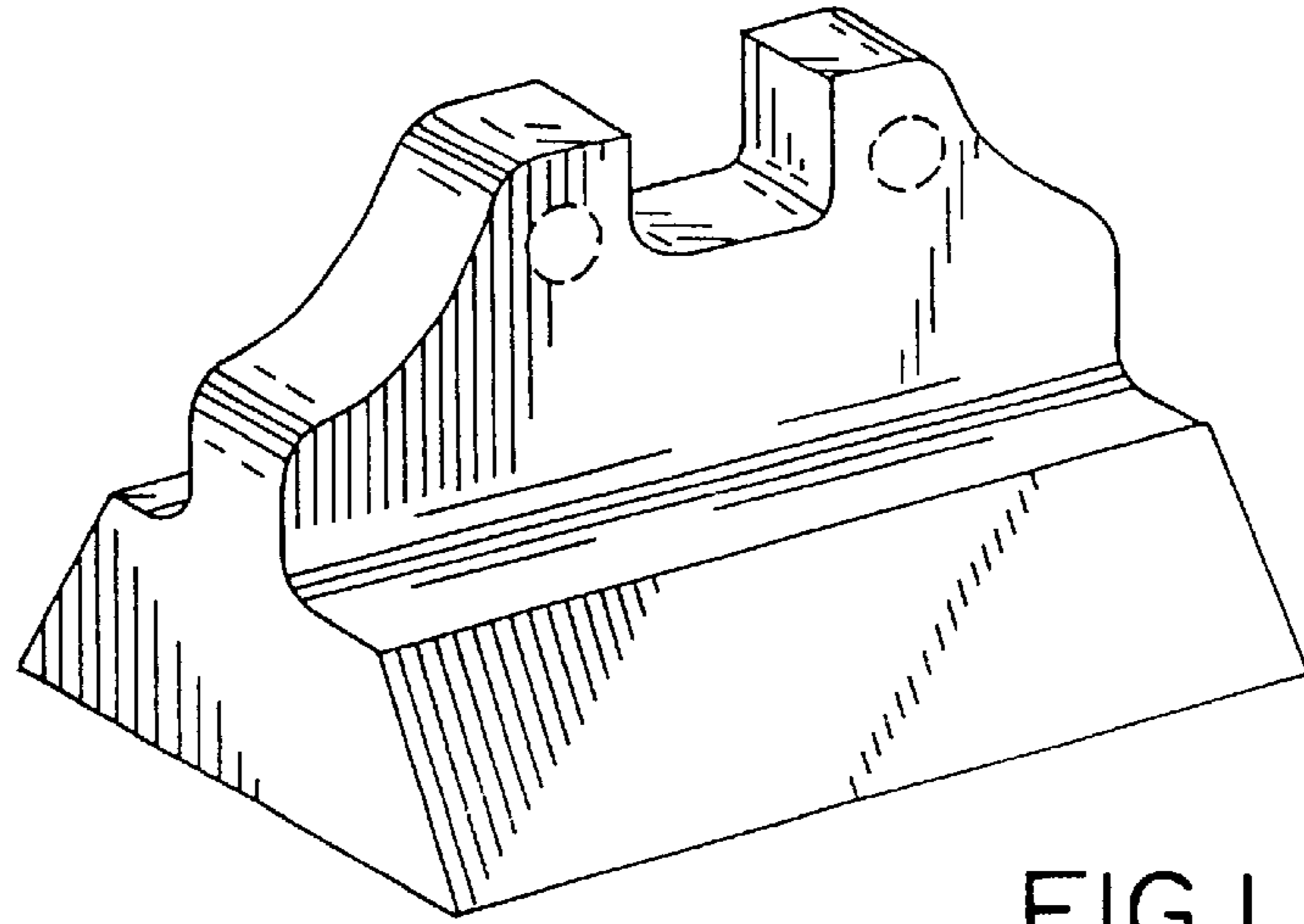


FIG. 1

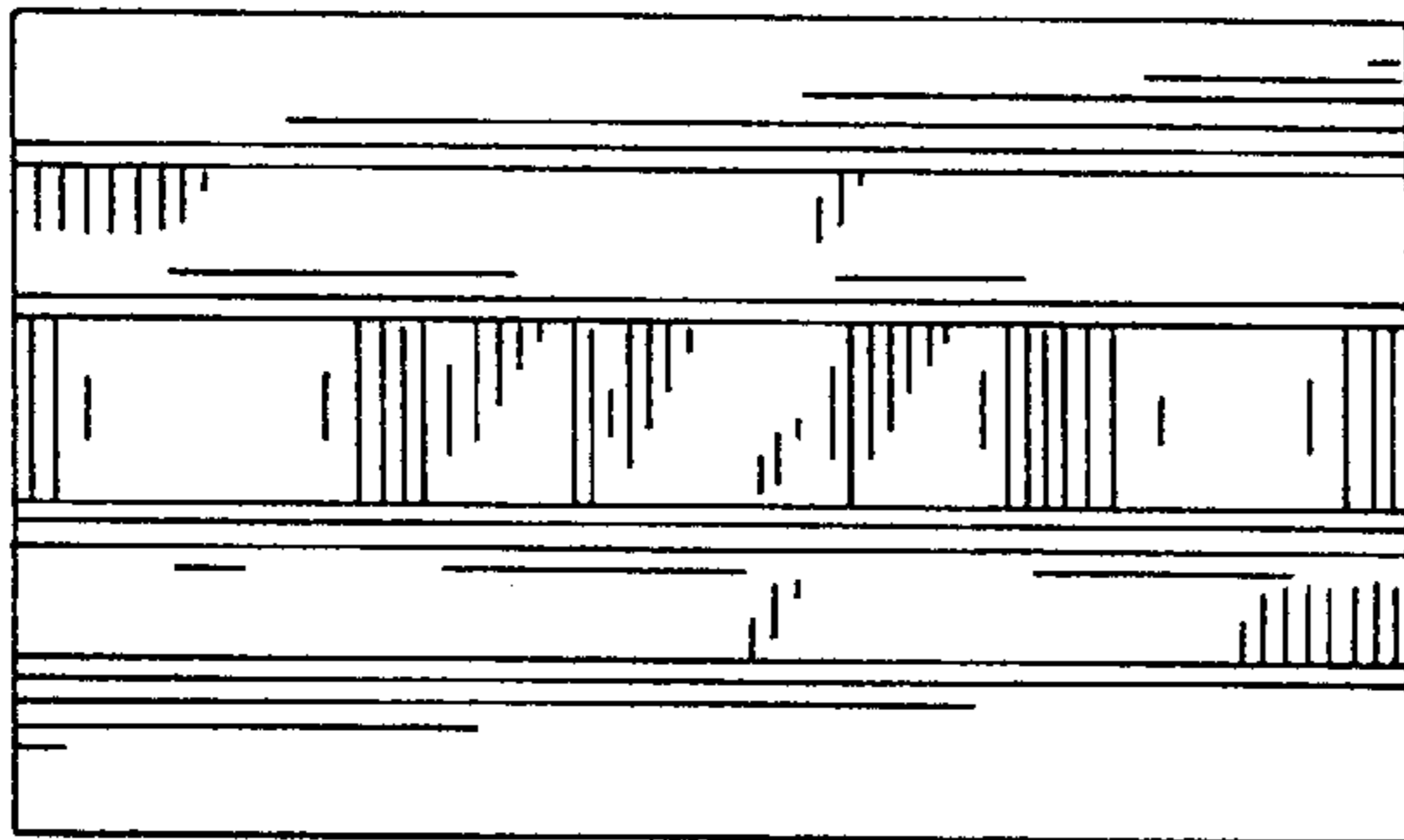


FIG. 2

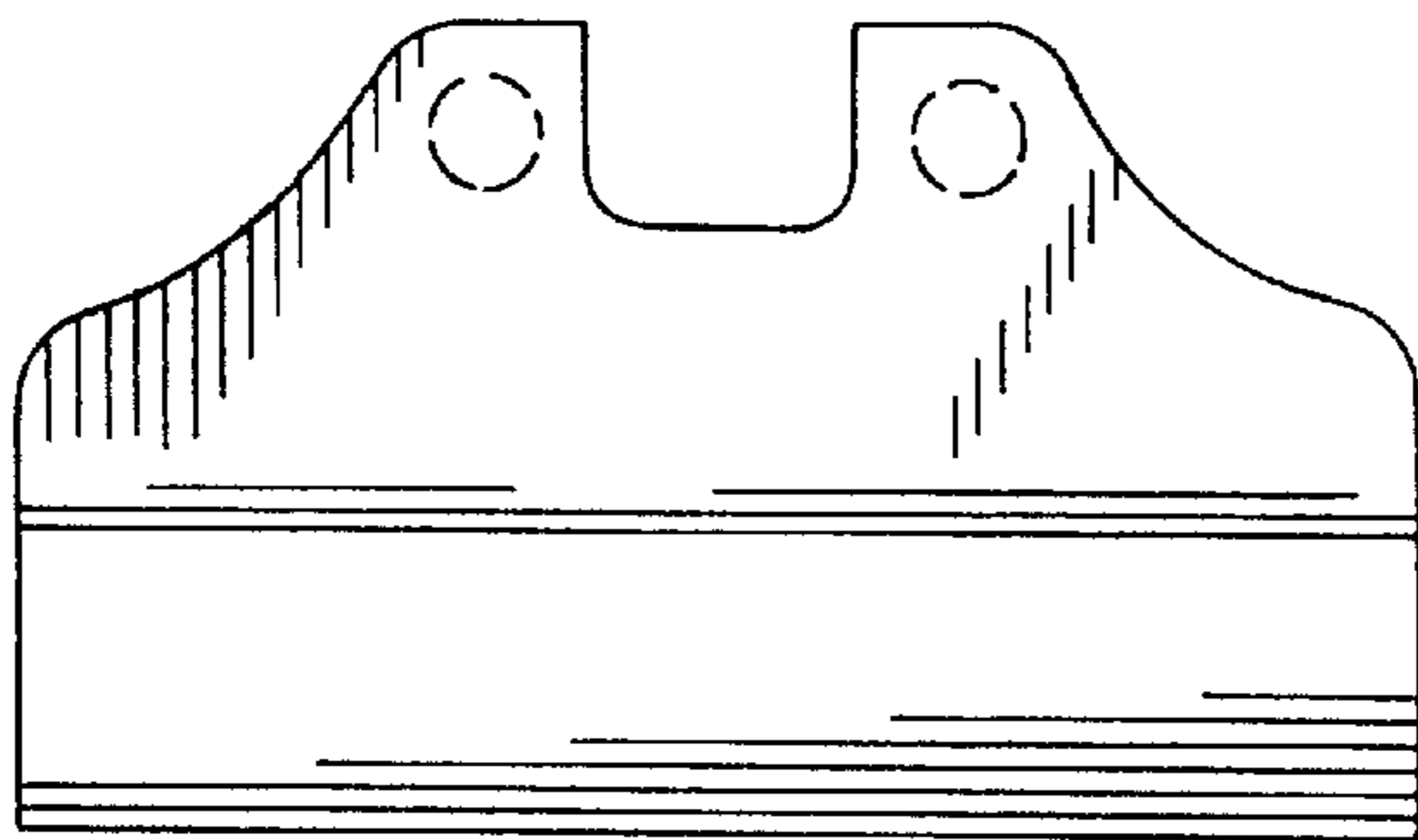


FIG. 3

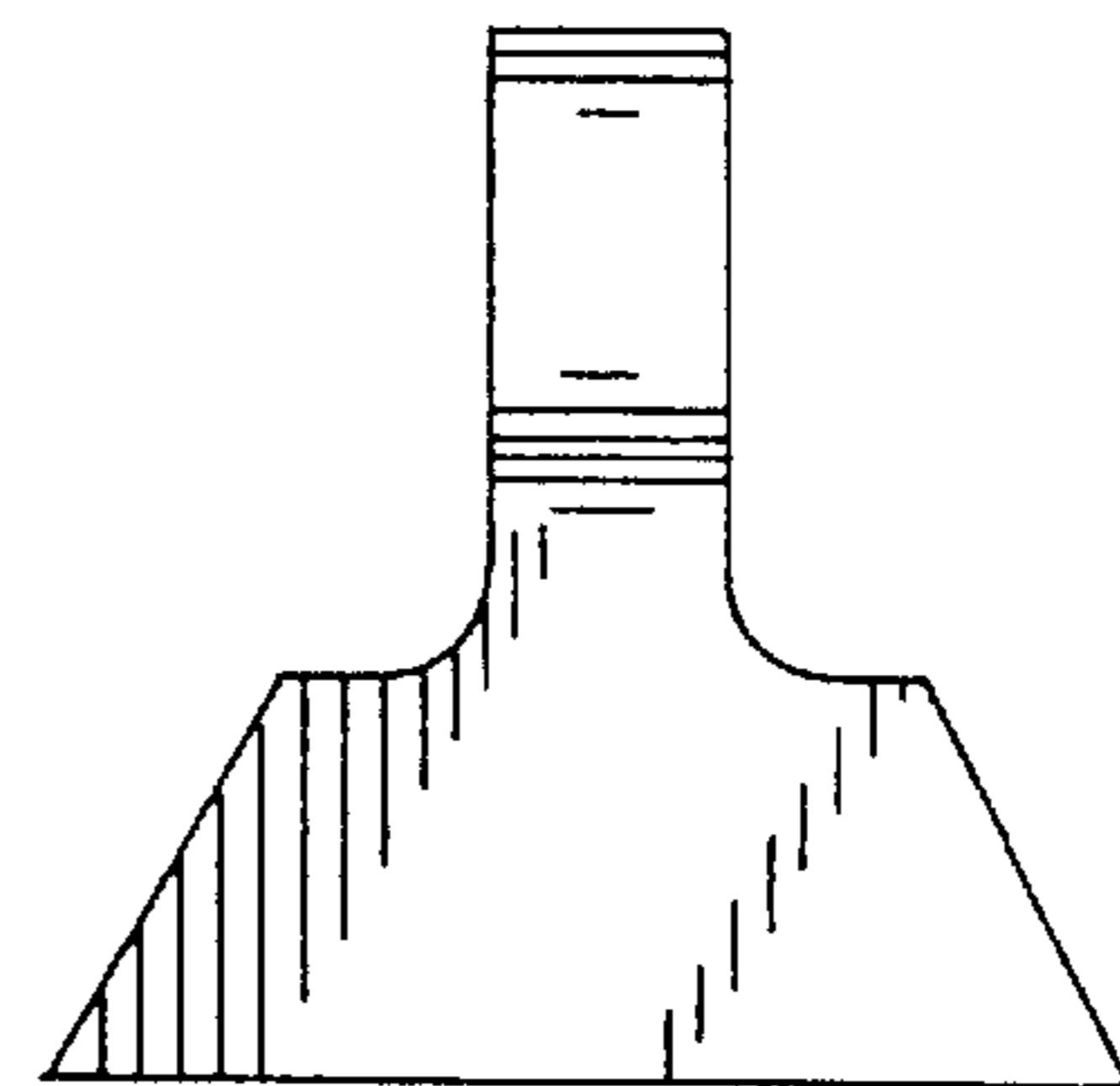


FIG. 4