



US00D521590S

(12) **United States Design Patent**
Bourget

(10) **Patent No.:** **US D521,590 S**

(45) **Date of Patent:** **** May 23, 2006**

(54) **ALFRESCO TUNNEL**

(75) Inventor: **Christelle Bourget**, Bressuire (FR)

(73) Assignee: **Nesco Company S.A.**, Cerizay (FR)

(**) Term: **14 Years**

(21) Appl. No.: **29/208,426**

(22) Filed: **Jun. 29, 2004**

(30) **Foreign Application Priority Data**

Dec. 29, 2003 (EM) 000184825-0011

(51) **LOC (8) Cl.** **21-03**

(52) **U.S. Cl.** **D21/826**

(58) **Field of Classification Search** D21/811,
D21/814, 818-827, 497; 482/35, 36
See application file for complete search history.

(56) **References Cited**

U.S. PATENT DOCUMENTS

1,917,018 A * 7/1933 Clark 482/35

D368,510 S * 4/1996 Ford D21/820

D382,313 S * 8/1997 Petersson et al. D21/497

D433,477 S * 11/2000 Addleman D21/827

* cited by examiner

Primary Examiner—Mitchell Siegel

(74) *Attorney, Agent, or Firm*—Horst M. Kasper

(57) **CLAIM**

The ornamental design for alfresco tunnel, as shown and described.

DESCRIPTION

FIG. 1 is a front elevational view of alfresco tunnel

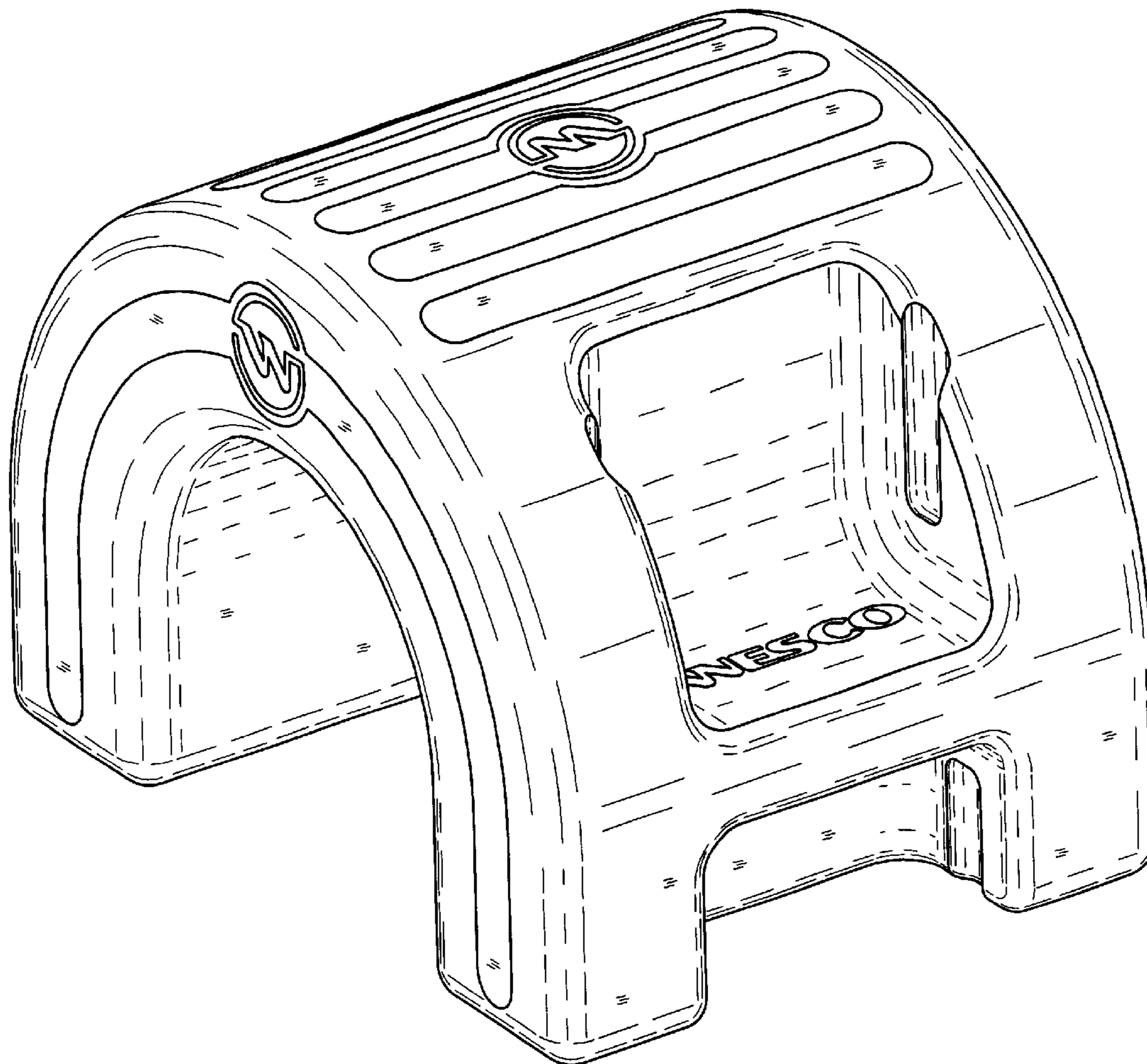
FIG. 2 is a top plan view thereof;

FIG. 3 is a right side elevational view thereof, the undisclosed left side being identical;

FIG. 4 is a bottom plan view thereof; and,

FIG. 5 is a front and side perspective view of alfresco tunnel thereof.

1 Claim, 3 Drawing Sheets



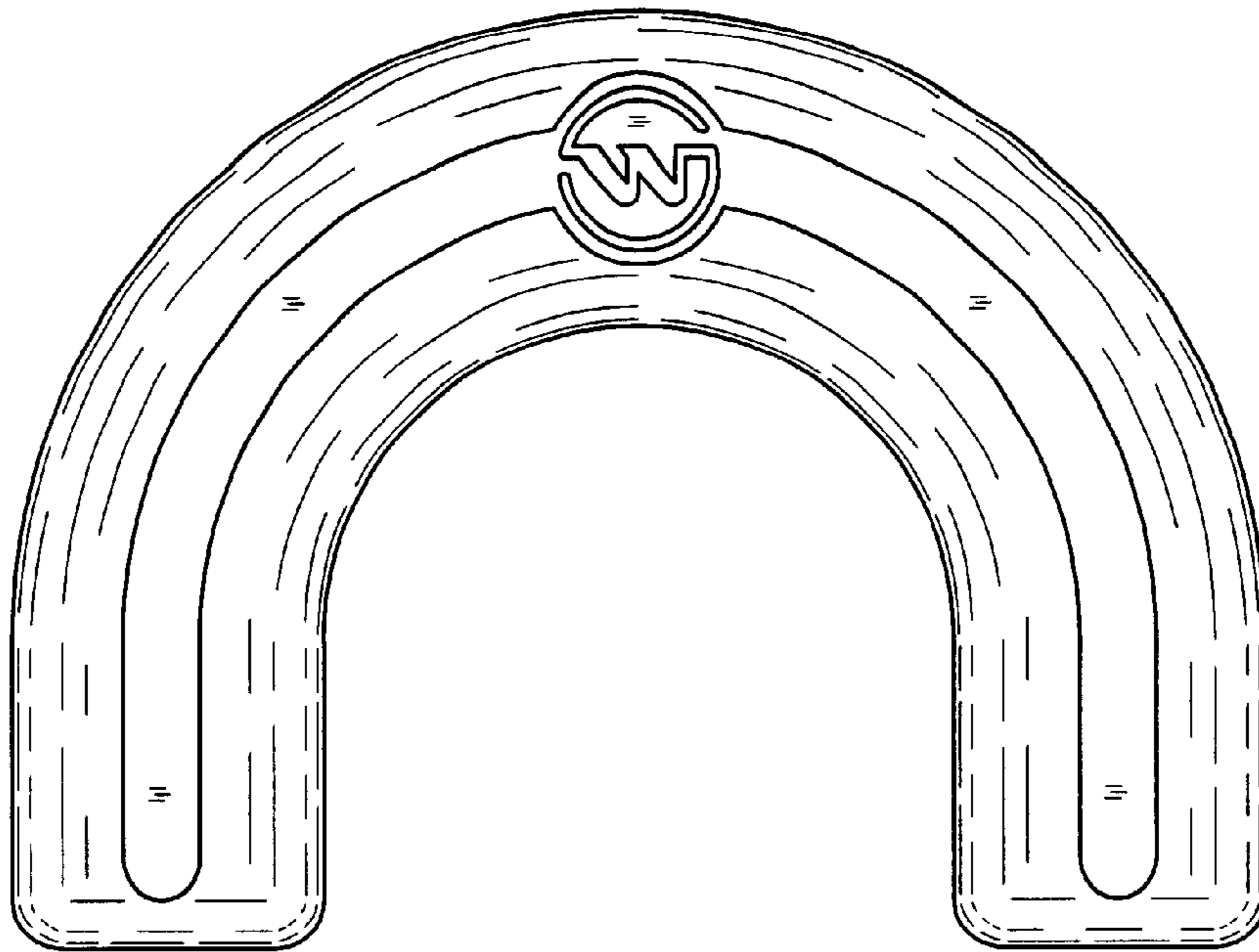


Fig. 1

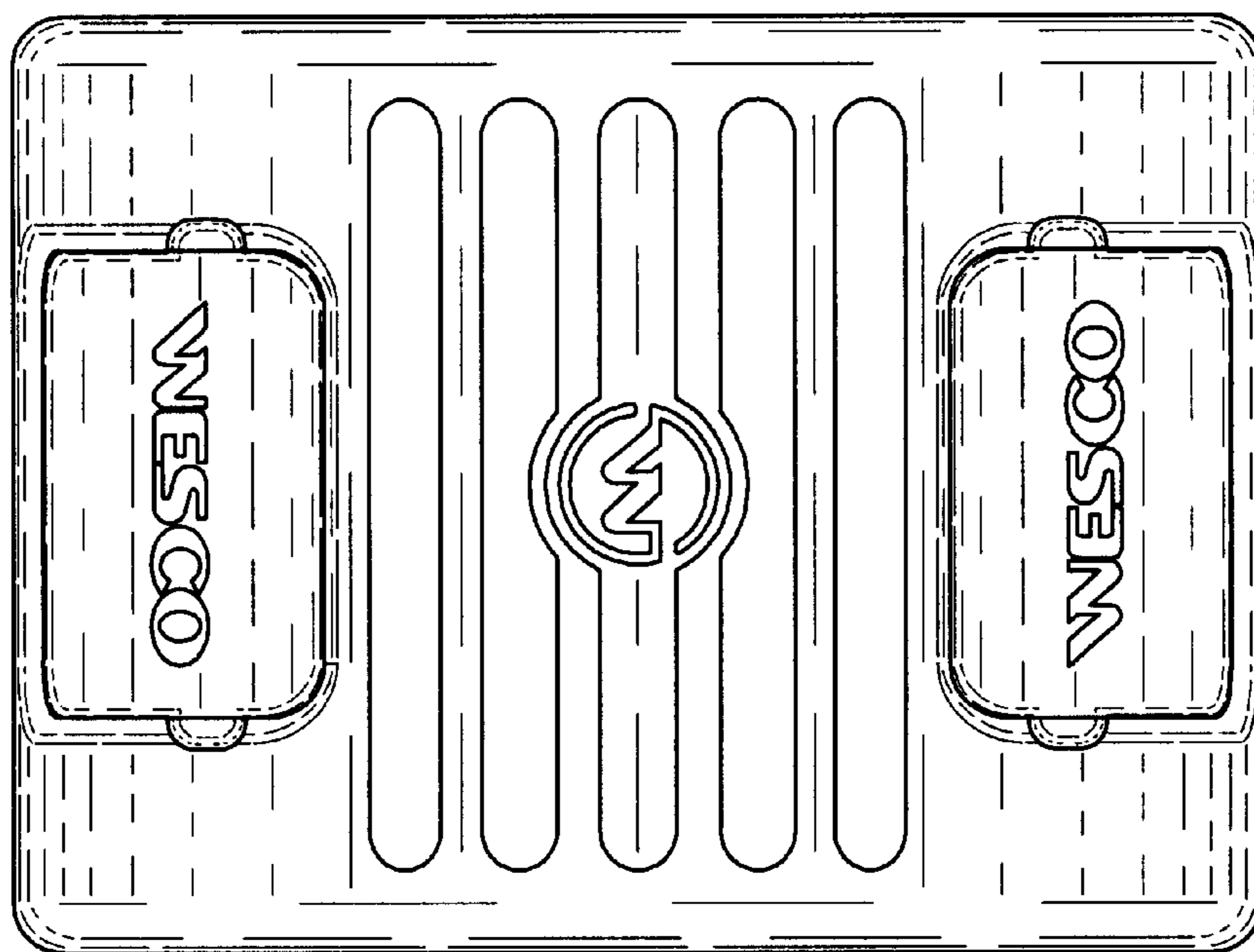


Fig. 2

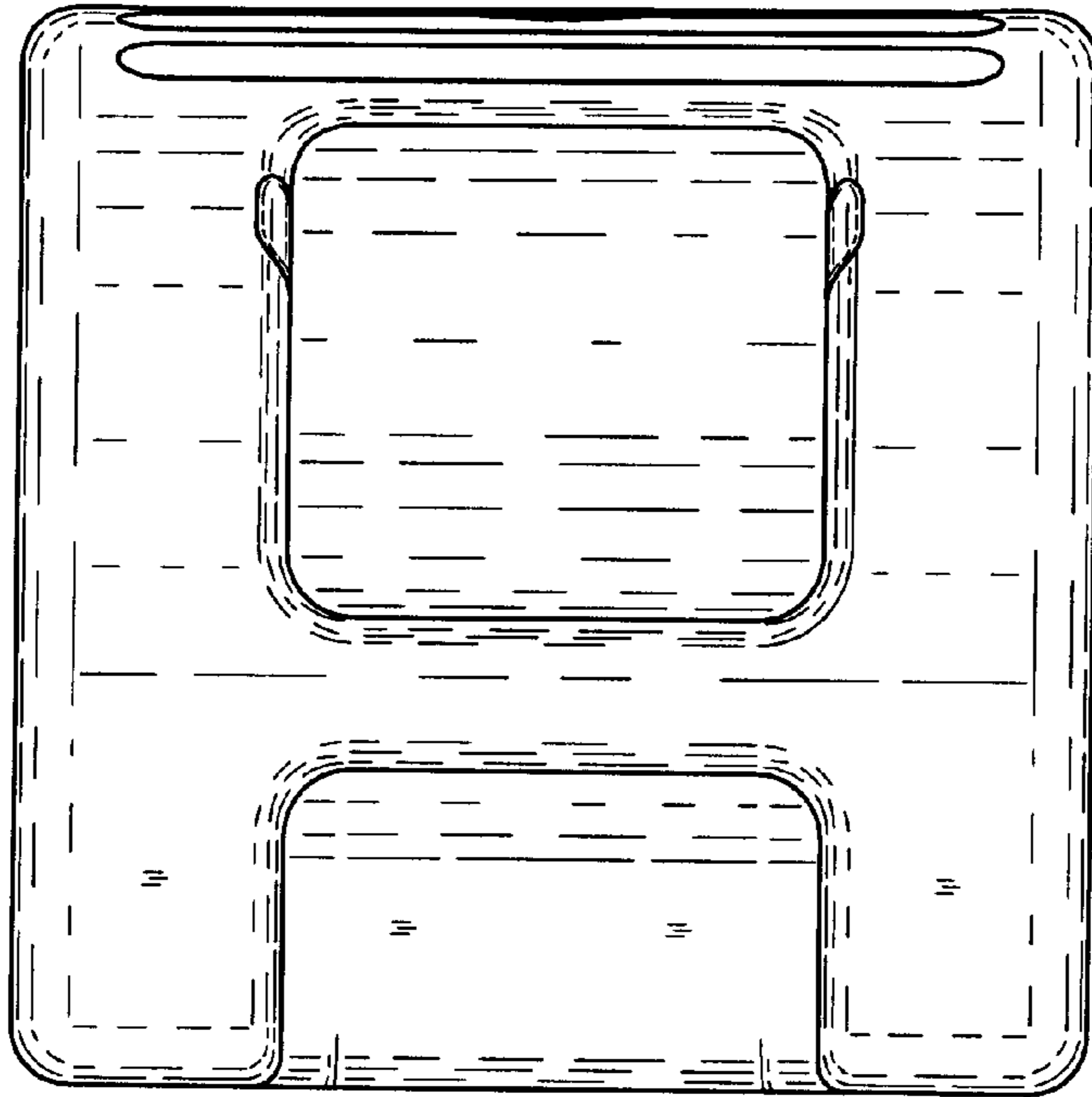


Fig. 3

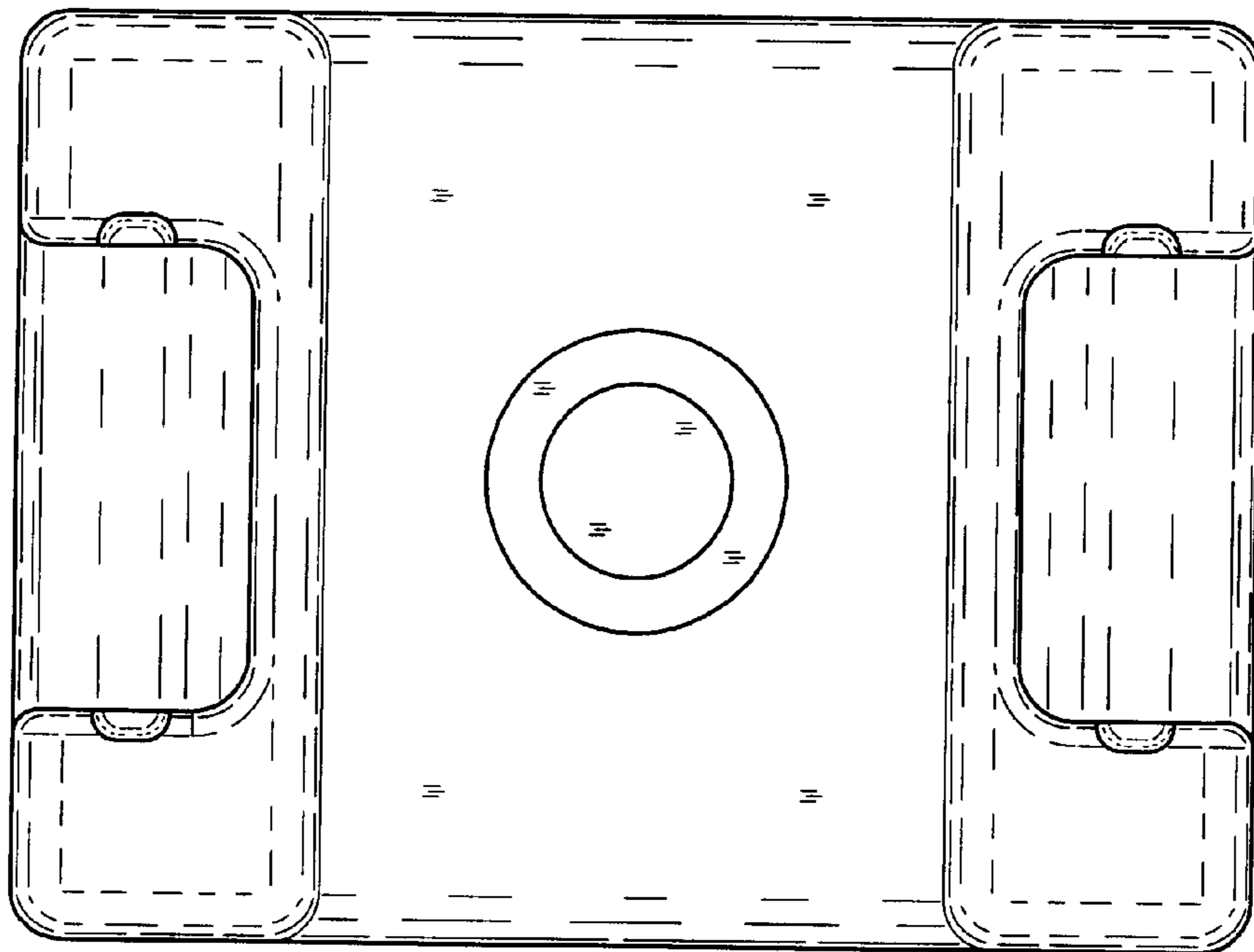


Fig. 4

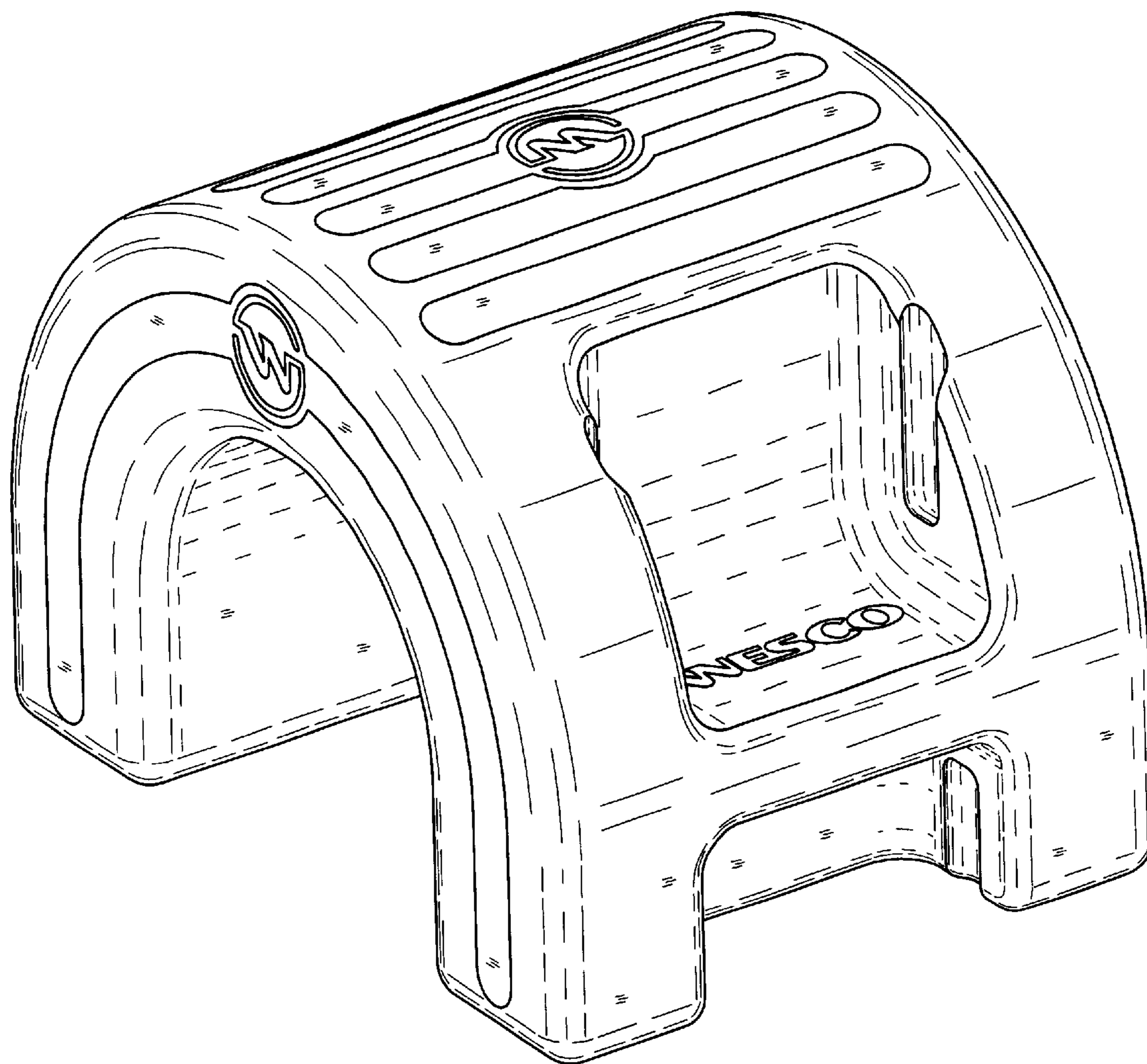


Fig. 5