



US00D521588S

(12) **United States Design Patent**
Thompson

(10) **Patent No.:** **US D521,588 S**

(45) **Date of Patent:** **** May 23, 2006**

(54) **GOLF BALL WASHER**

OTHER PUBLICATIONS

(76) **Inventor:** **Philip C. Thompson**, 104 Via Lorca,
Newport Beach, CA (US) 92663

Eagle One Golf Products Golf Course Accessories, 2004, p. 41.

(**) **Term:** **14 Years**

* cited by examiner

(21) **Appl. No.:** **29/226,955**

Primary Examiner—Mitchell Siegel

(22) **Filed:** **Apr. 4, 2005**

(74) *Attorney, Agent, or Firm*—Myers Dawes Andras & Sherman LLP; Joseph C. Andras

(51) **LOC (8) Cl.** **21-02**

(57) **CLAIM**

(52) **U.S. Cl.** **D21/795**

I claim the ornamental design for the golf ball washer, as shown and described.

(58) **Field of Classification Search** D21/789,
D21/795; 15/21.1, 21.2, 104.92, 97; 29/525.11,
29/434; 134/6, 8, 186

DESCRIPTION

See application file for complete search history.

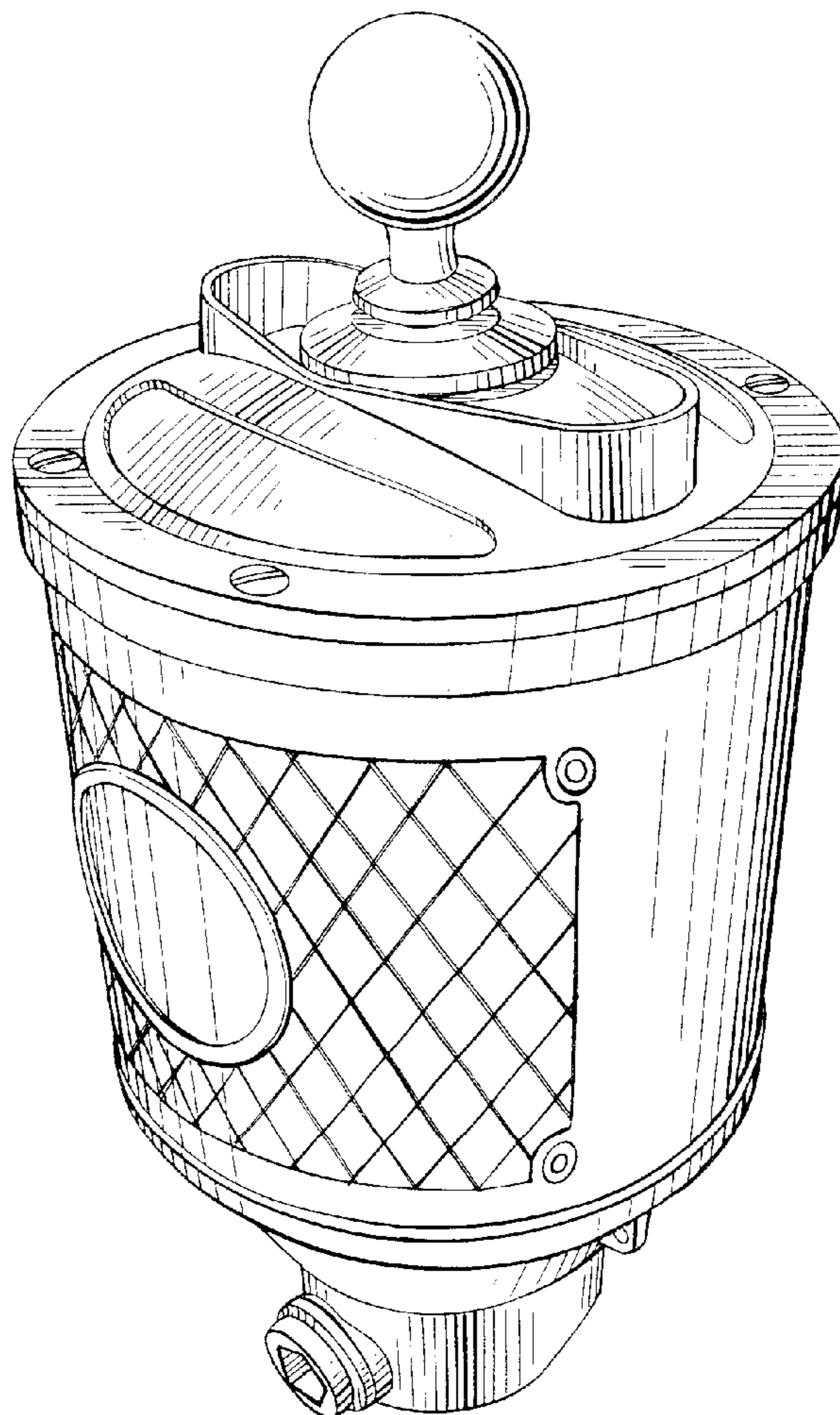
FIG. 1 is a perspective view of a golf ball washer;
FIG. 2 is a front elevational view of the golf ball washer;
FIG. 3 is a side elevational view of the golf ball washer, the opposite side being a mirror image thereof;
FIG. 4 is a back elevational view of the golf ball washer;
FIG. 5 is a top plan view of the golf ball washer; and,
FIG. 6 is a bottom plan view of the golf ball washer.

(56) **References Cited**

U.S. PATENT DOCUMENTS

2,807,037	A	*	9/1957	Garske	15/21.1
D246,808	S	*	12/1977	Genova	D21/795
D246,810	S	*	12/1977	Genova	D21/795
5,647,082	A	*	7/1997	Garske et al.	15/21.2
D503,764	S	*	4/2005	Morse et al.	D21/795

1 Claim, 5 Drawing Sheets



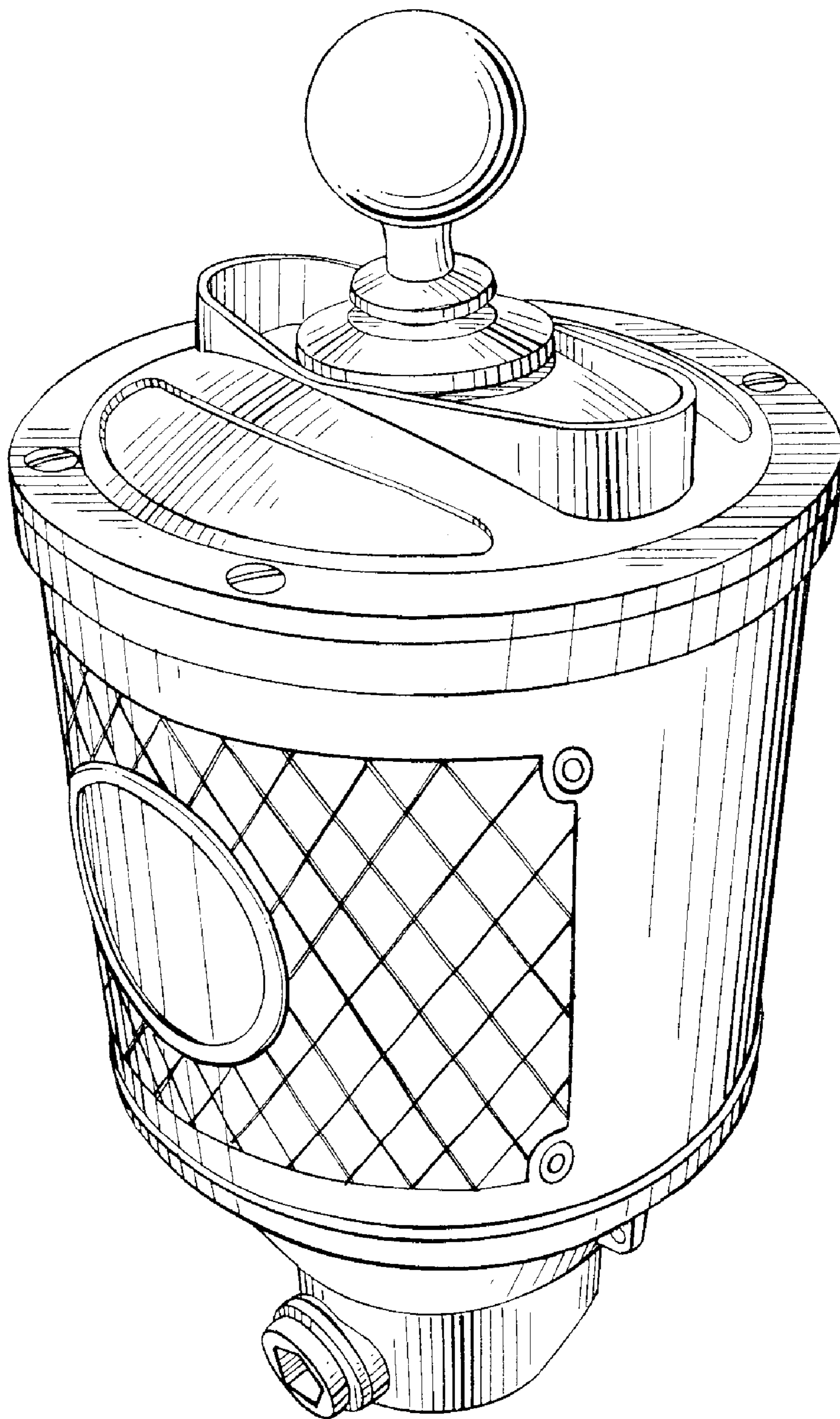


FIG. 1

FIG. 2

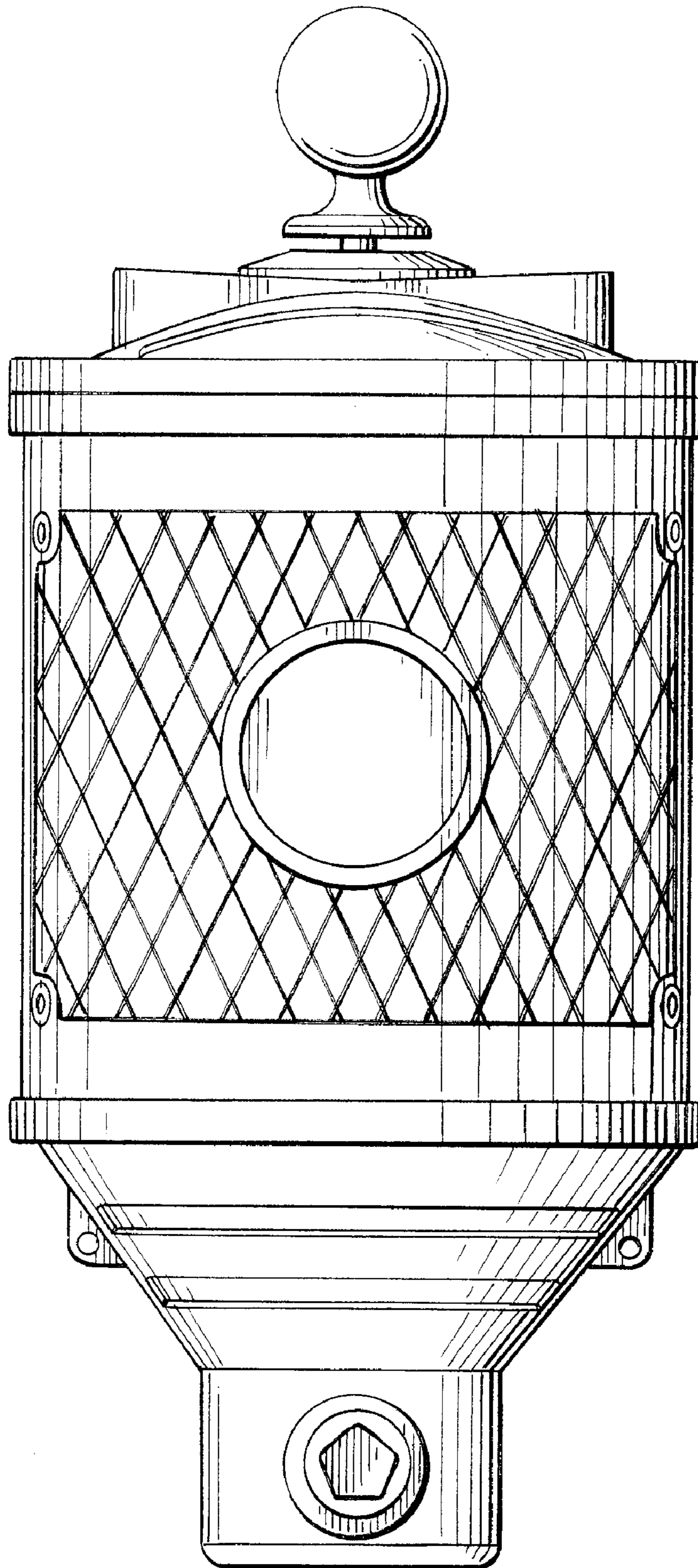


FIG. 3

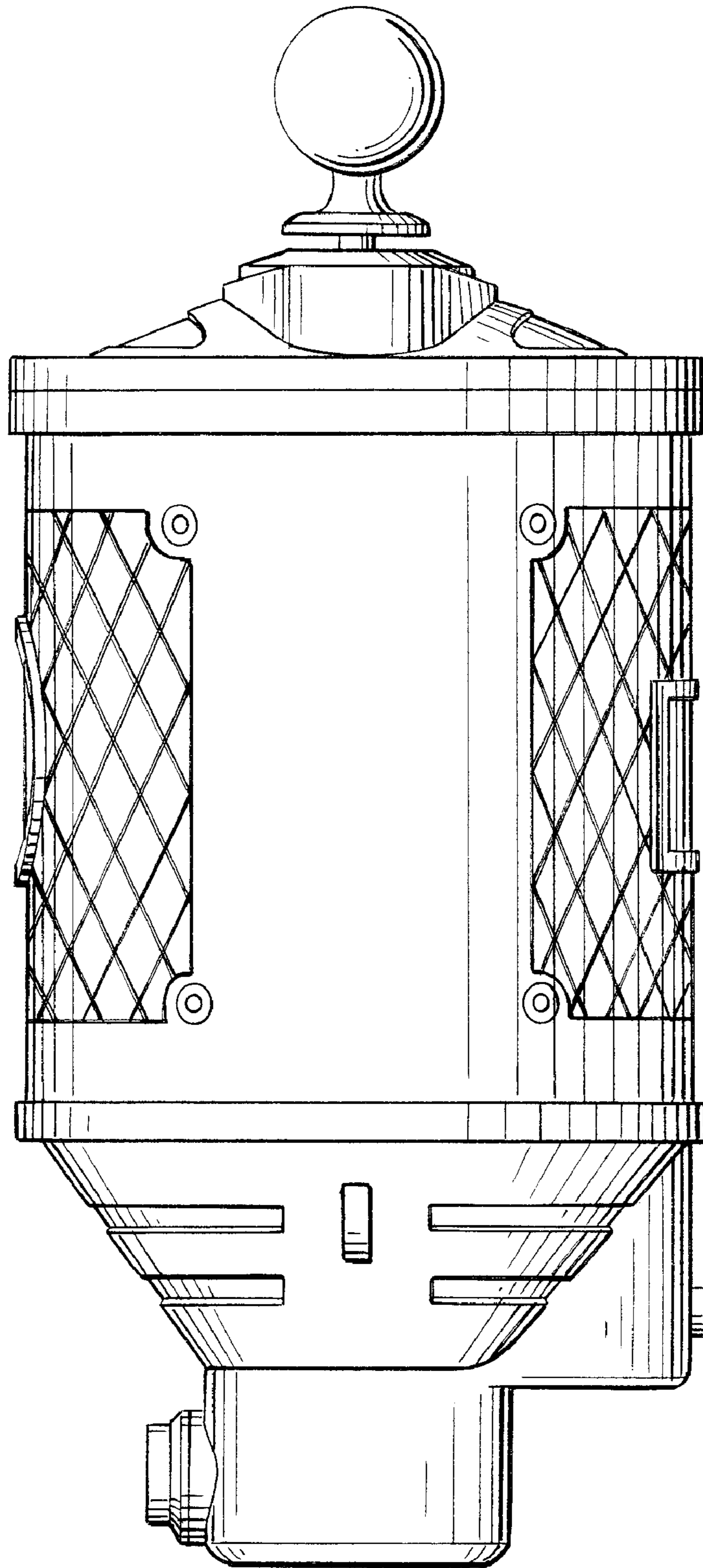


FIG. 4

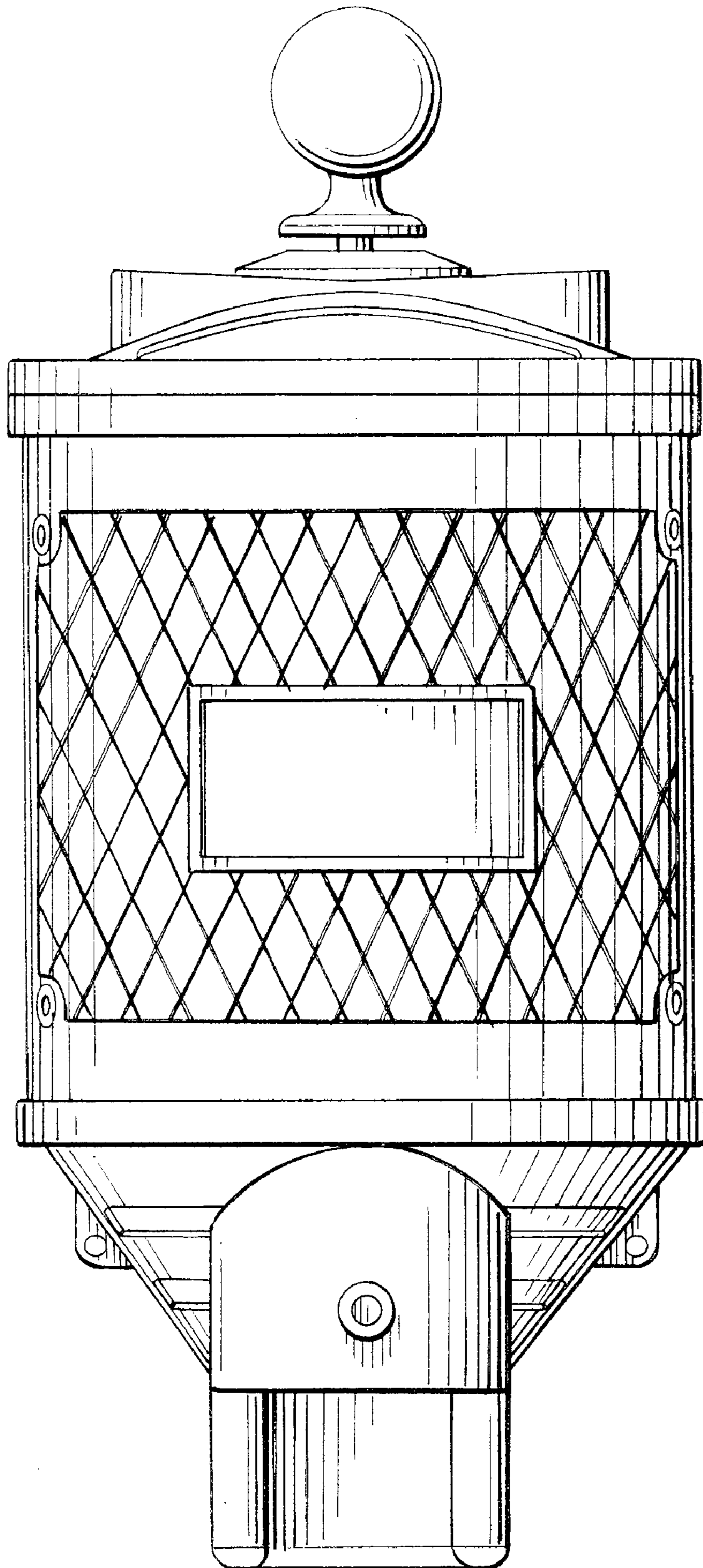


FIG. 5

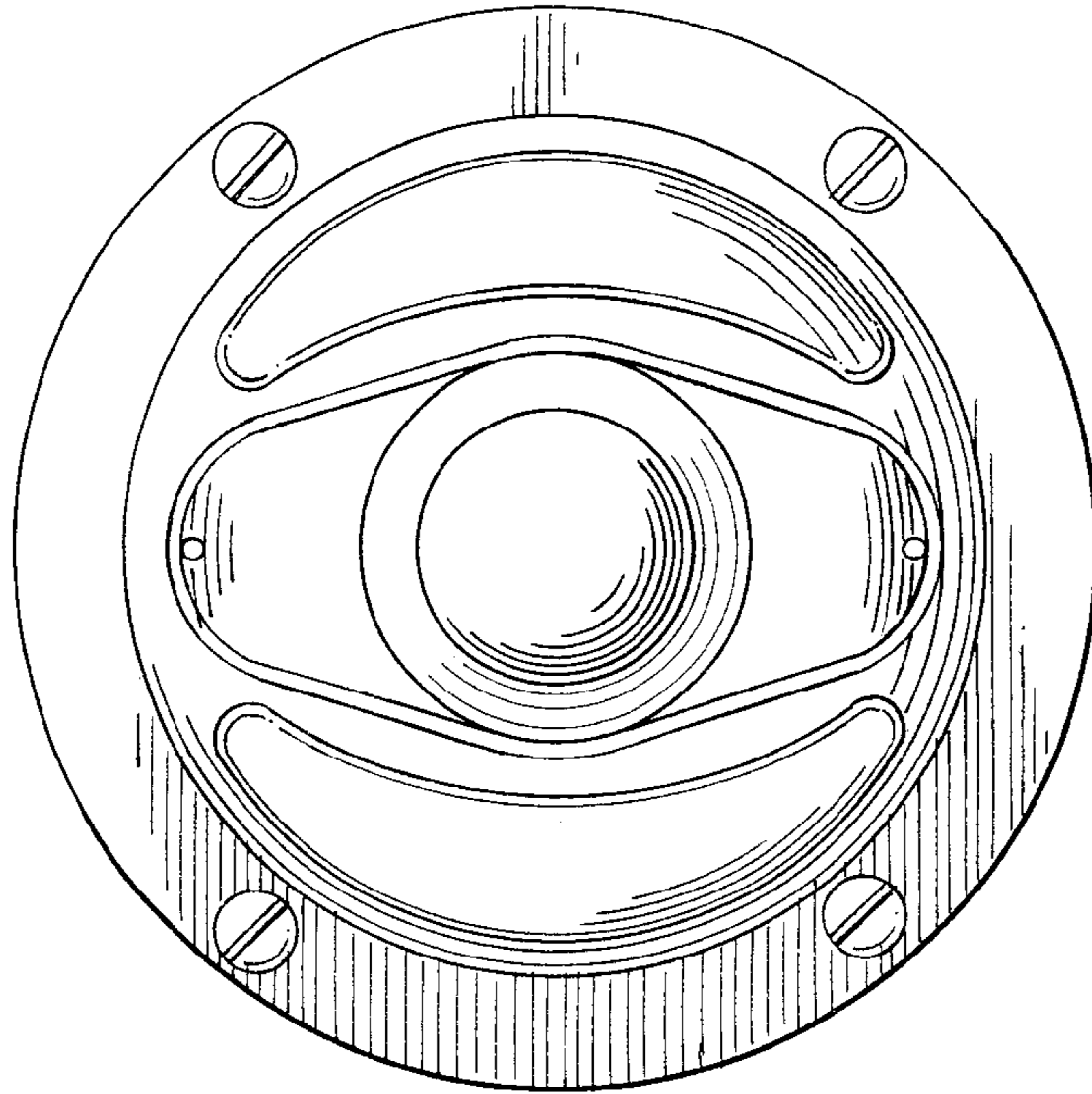


FIG. 6

