

US00D521583S

(12) **United States Design Patent**
Motoyoshi et al.

(10) **Patent No.:** **US D521,583 S**
(45) **Date of Patent:** **** May 23, 2006**

(54) **GOLF CLUB HEAD**

JP D1128454 12/2001
JP D1159091 11/2002

(75) Inventors: **Koki Motoyoshi**, Kawasaki (JP);
Masafumi Nishitani, Kawasaki (JP)

OTHER PUBLICATIONS

(73) Assignee: **Bridgestone Sports Co., Ltd.**, Tokyo (JP)

2001 Golf Equipment Universal Catalog, Axel Ti Tungsten MM, p. 338.

(**) Term: **14 Years**

* cited by examiner

(21) Appl. No.: **29/208,986**

Primary Examiner—Mitchell Siegel

(22) Filed: **Jul. 9, 2004**

(74) *Attorney, Agent, or Firm*—Morgan, Lewis & Bockius LLP

(30) **Foreign Application Priority Data**

(57) **CLAIM**

Jan. 12, 2004 (KR) 30-2004-0000716

The ornamental design for a golf club head, as shown.

(51) **LOC (8) Cl.** **21-02**

DESCRIPTION

(52) **U.S. Cl.** **D21/747**

(58) **Field of Classification Search** D21/747-751;
473/324-331, 350

FIG. 1 is a front view of a first embodiment of a golf club head in accordance with our new design.

FIG. 2 is a rear view of the first embodiment of the golf club head shown in FIG. 1.

See application file for complete search history.

FIG. 3 is a top view of the first embodiment of the golf club head shown in FIG. 1.

(56) **References Cited**

U.S. PATENT DOCUMENTS

D240,948 S	*	8/1976	Redoutey	D21/747
D250,136 S	*	10/1978	Gelinas	D21/751
D336,758 S	*	6/1993	Jossey	D21/751
D370,513 S	*	6/1996	McGraw et al.	D21/748
D389,540 S		1/1998	Mendenhall	D21/220
D444,195 S		6/2001	Wahl et al.	D21/748
D449,086 S		10/2001	Nagai et al.	D21/759
D466,576 S		12/2002	Nagai et al.	D21/759
D466,961 S		12/2002	Nagai et al.	D21/759
D469,834 S		2/2003	Saraie	D21/749
D501,237 S	*	1/2005	Madore	D21/759

FIG. 4 is a bottom view of the first embodiment of the golf club head shown in FIG. 1.

FIG. 5 is a right-side view of the first embodiment of the golf club head shown in FIG. 1.

FOREIGN PATENT DOCUMENTS

JP	D1012493	6/1998
JP	D1019818	8/1998
JP	D1043031	7/1999
JP	D995331-1	10/1999
JP	D1053304	11/1999
JP	D1067995	4/2000
JP	D1128354	12/2001

FIG. 6 is a left-side view of the first embodiment of the golf club head shown in FIG. 1.

FIG. 7 is a front view of a second embodiment of a golf club head in accordance with our new design.

FIG. 8 is a rear view of the second embodiment of the golf club head shown in FIG. 7.

FIG. 9 is a top view of the second embodiment of the golf club head shown in FIG. 7.

FIG. 10 is a bottom view of the second embodiment of the golf club head shown in FIG. 7.

FIG. 11 is a right-side view of the second embodiment of the golf club head shown in FIG. 7; and,

FIG. 12 is a left-side view of the second embodiment of the golf club head shown in FIG. 7.

1 Claim, 4 Drawing Sheets

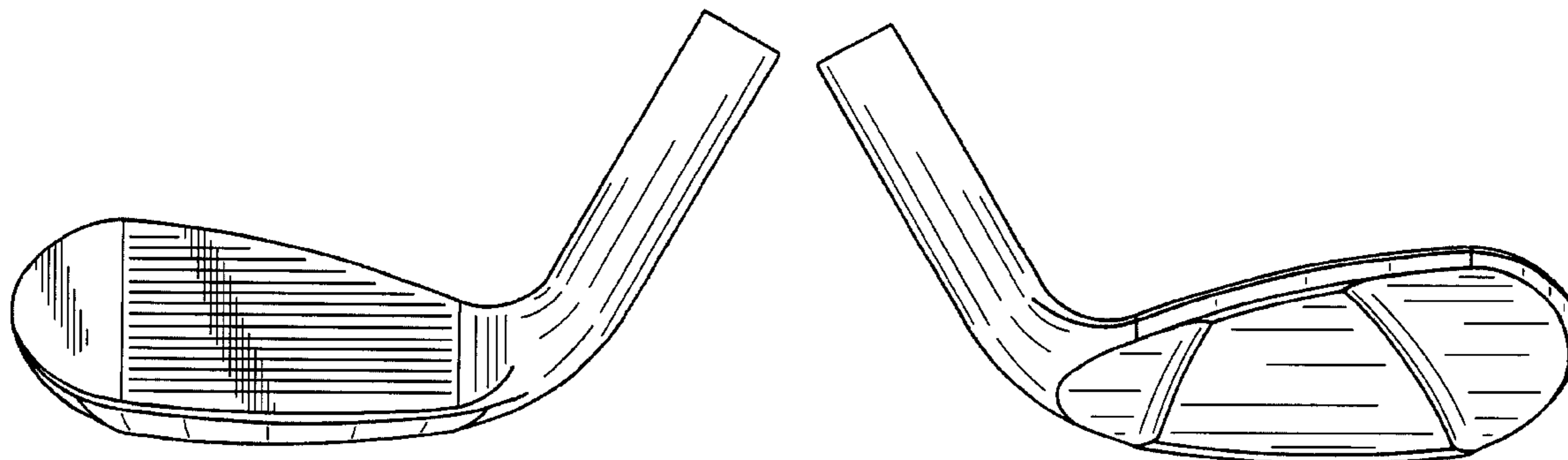


FIG. 1

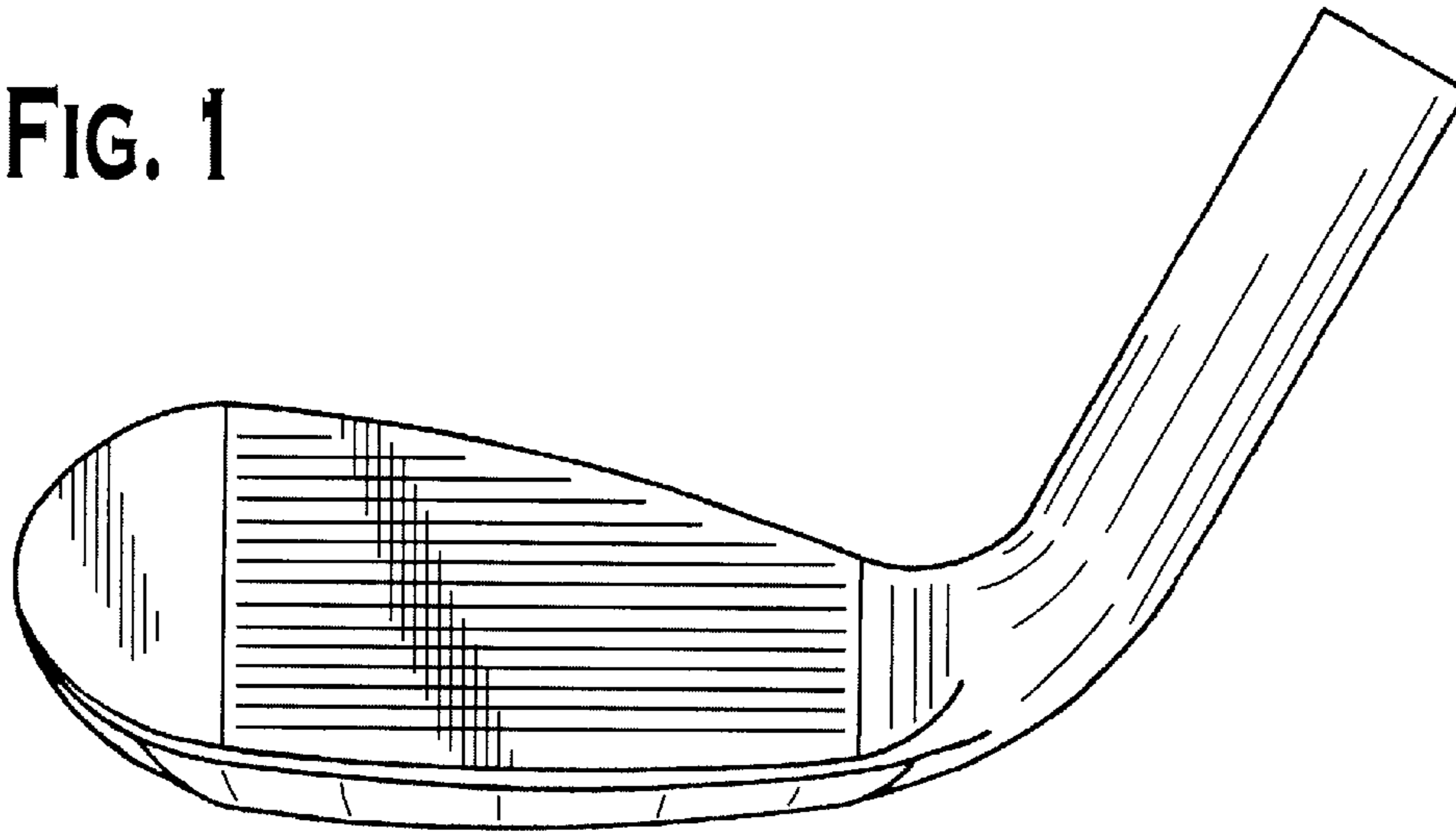
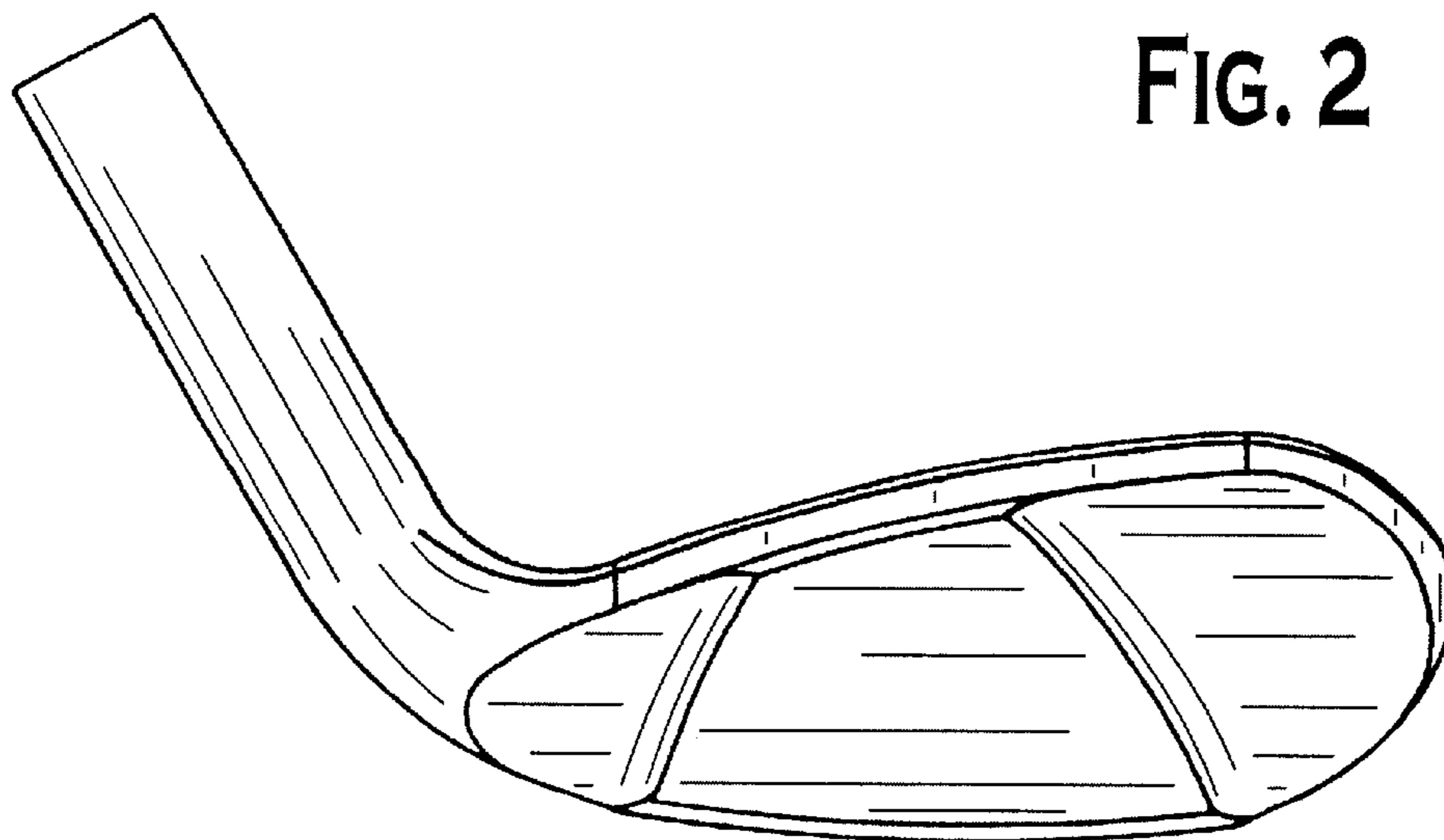


FIG. 2



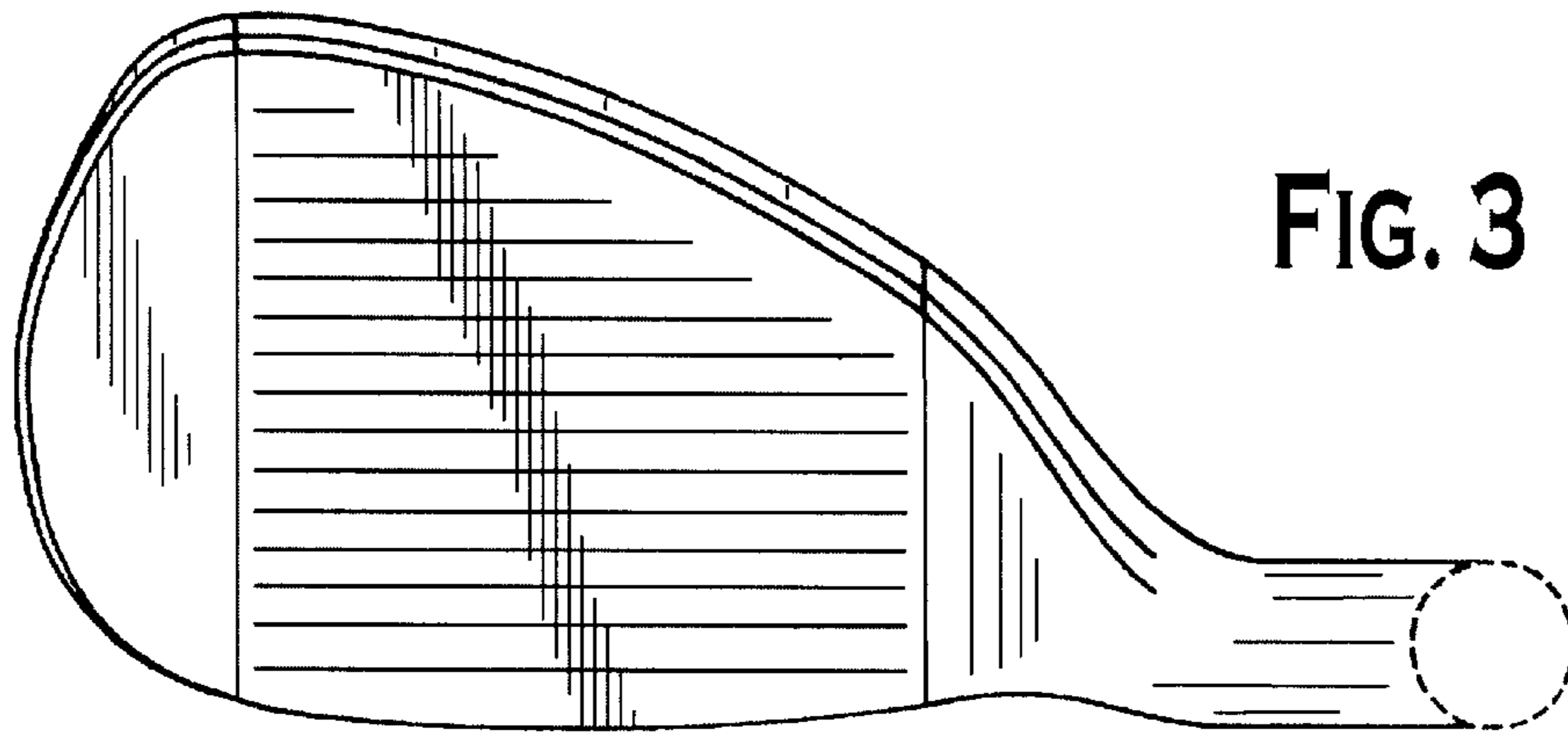


FIG. 3

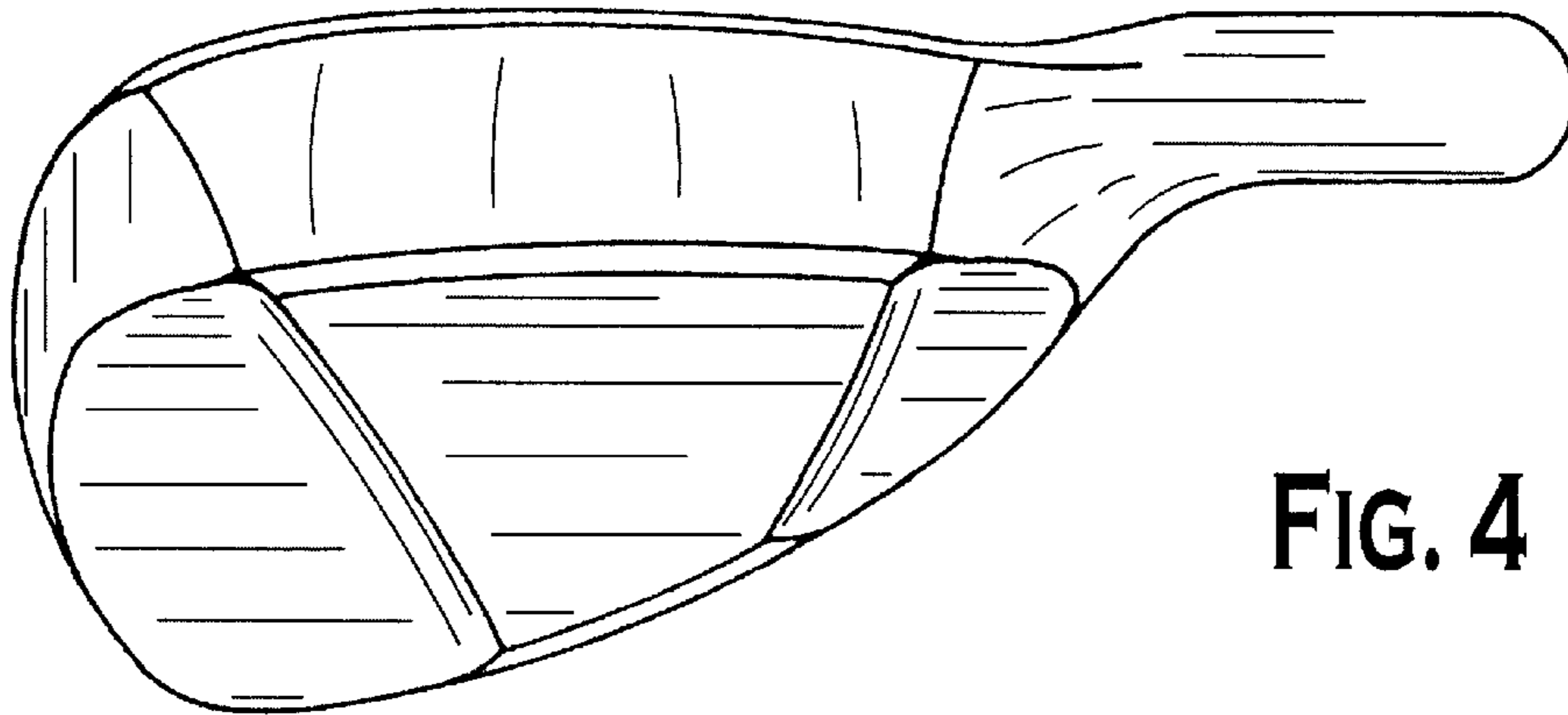


FIG. 4

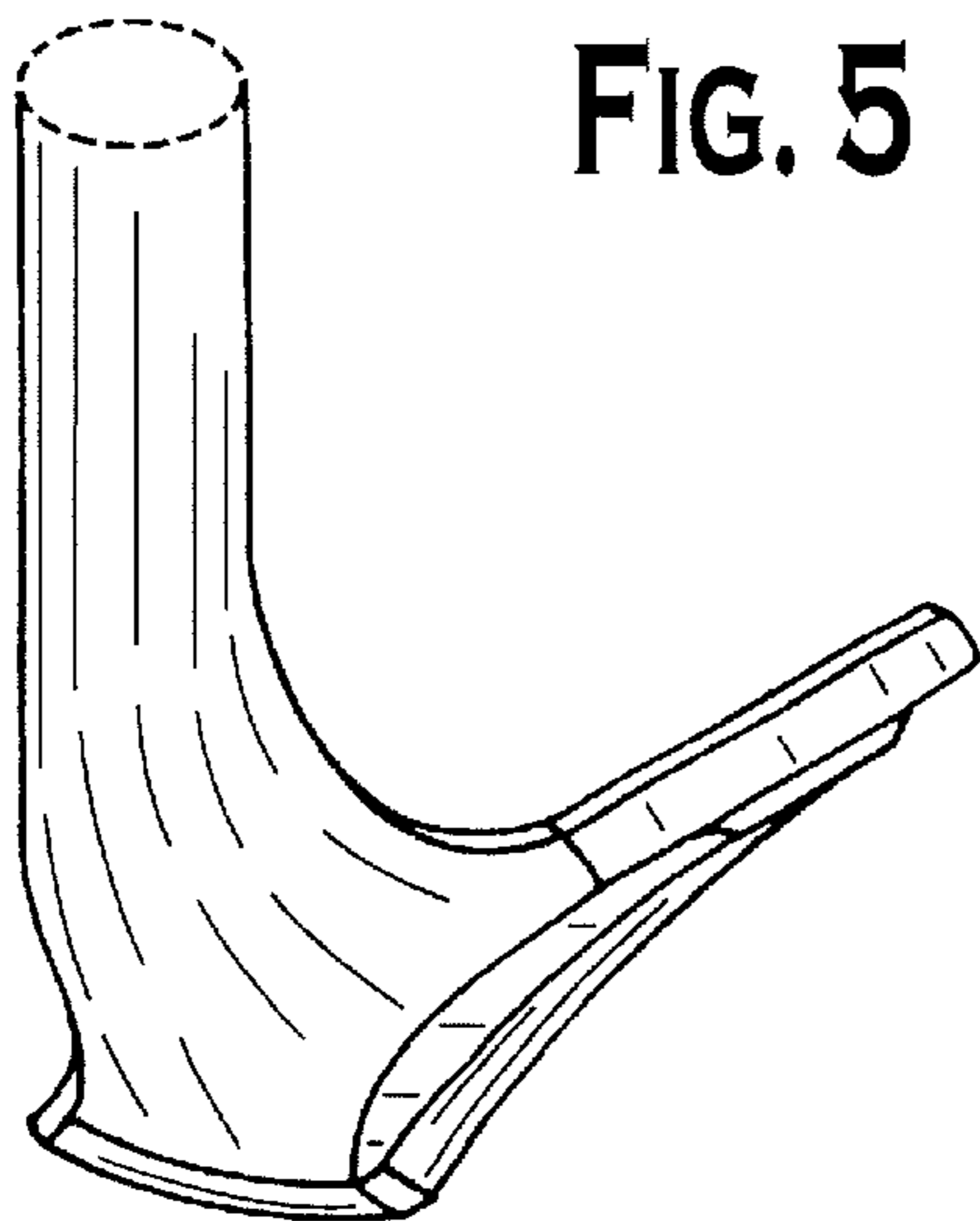


FIG. 5

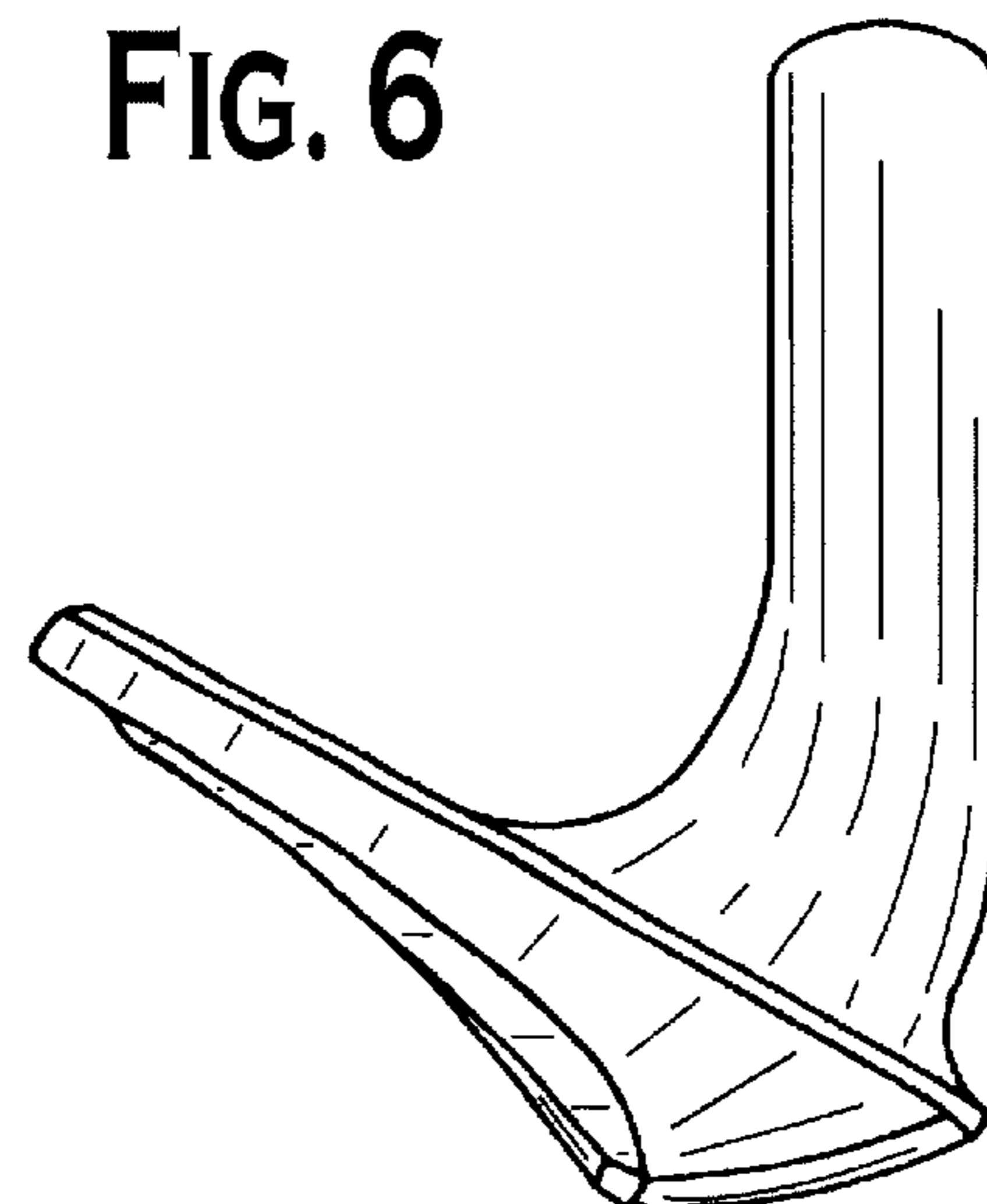


FIG. 6

FIG. 7

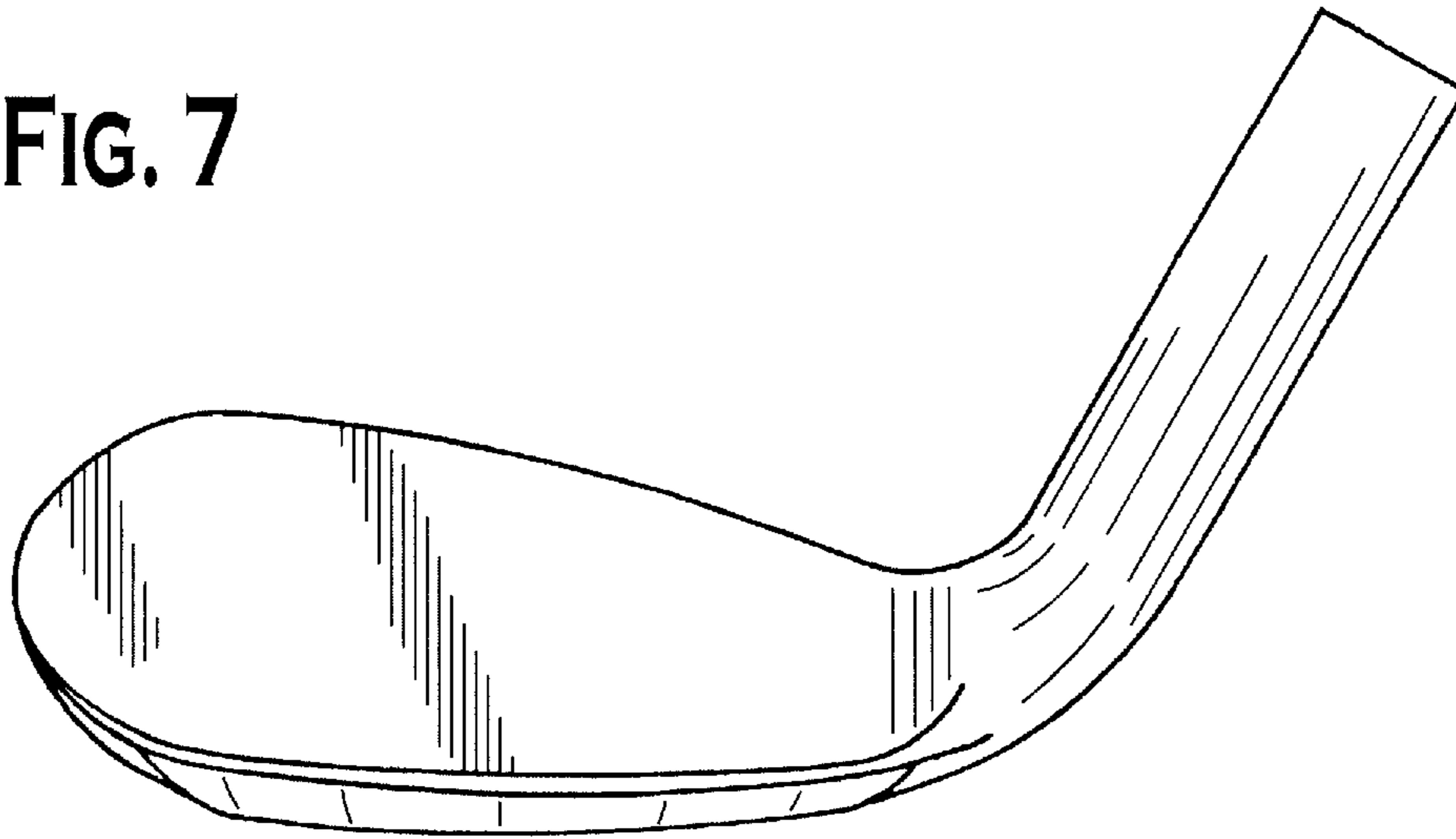
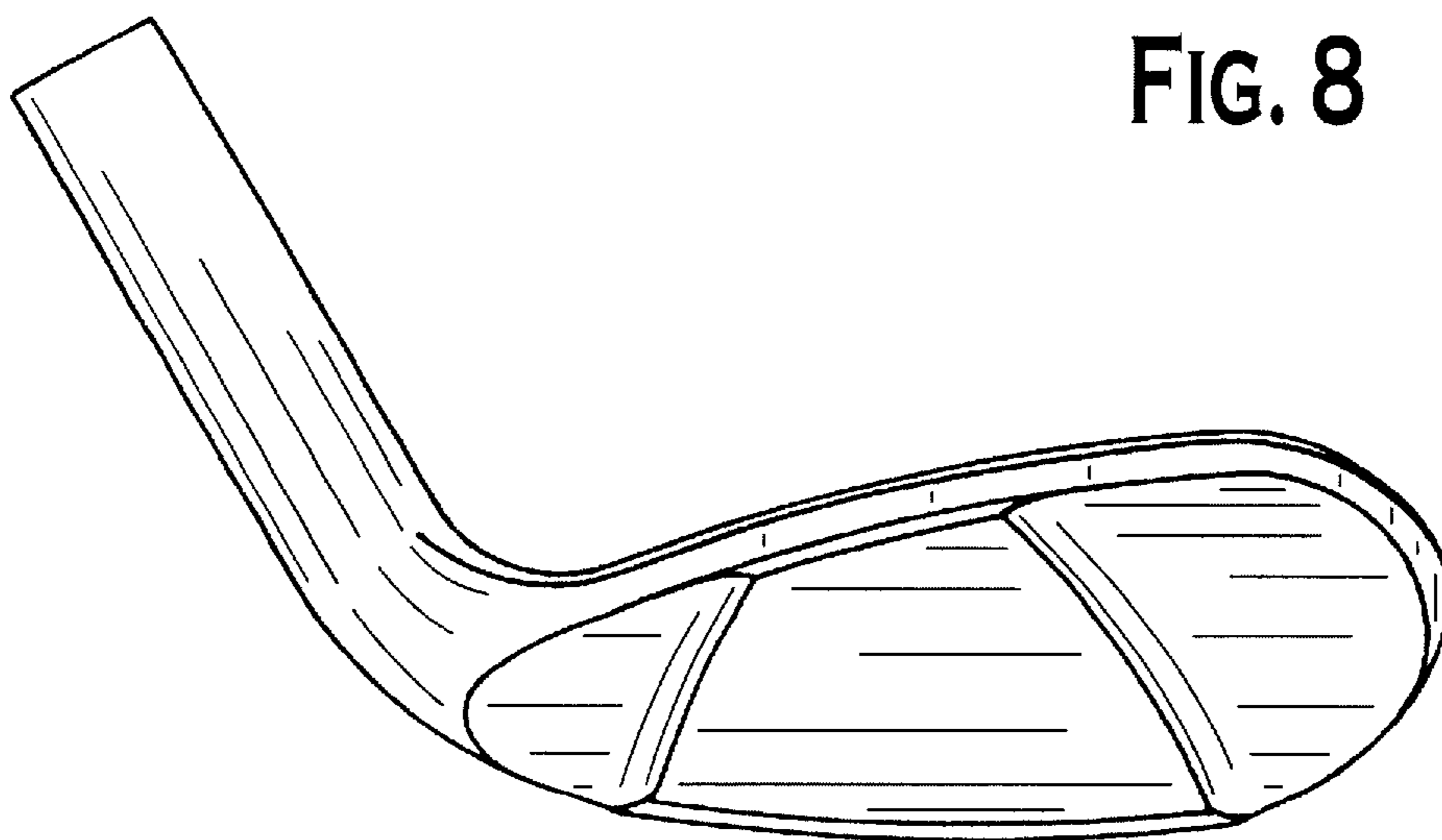


FIG. 8



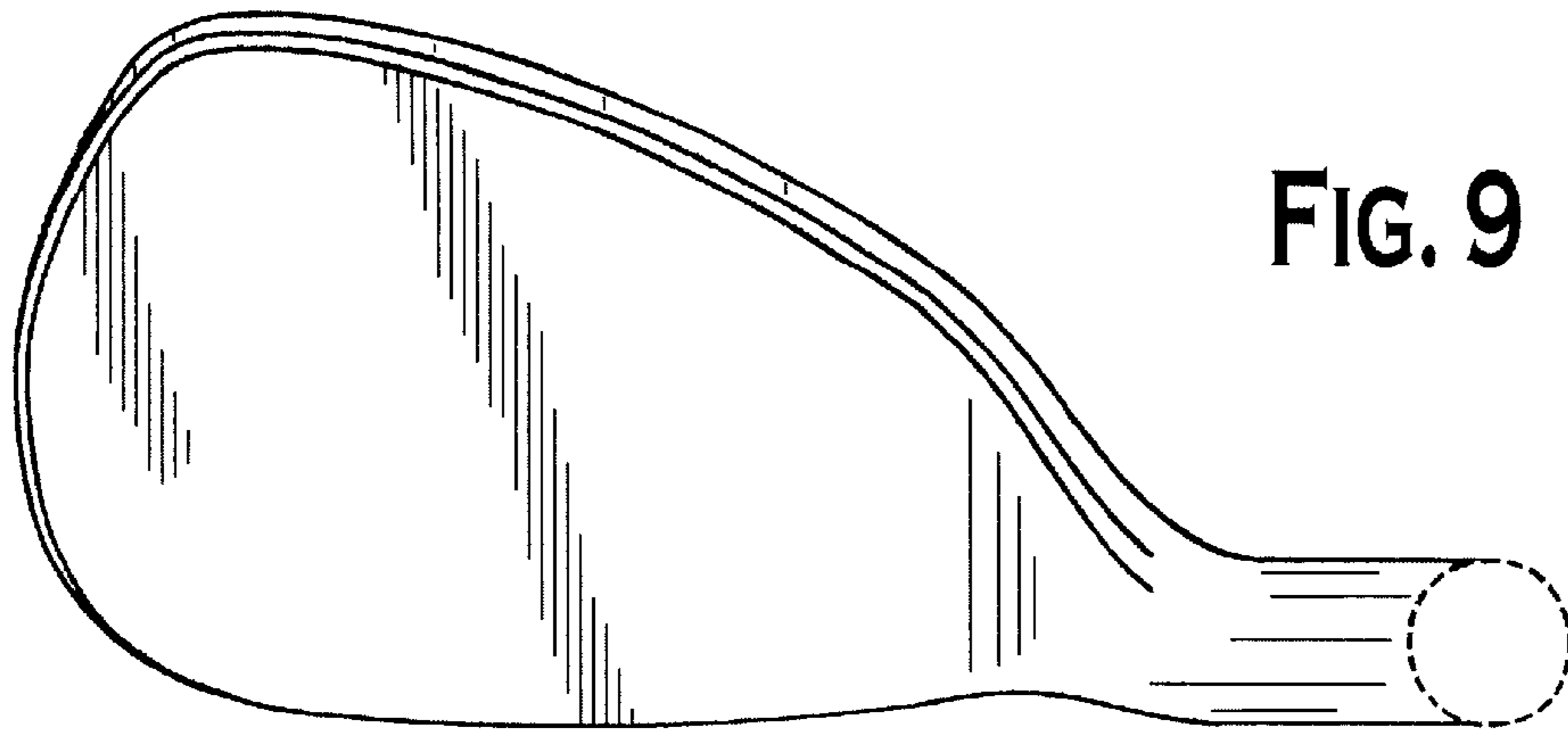


FIG. 9

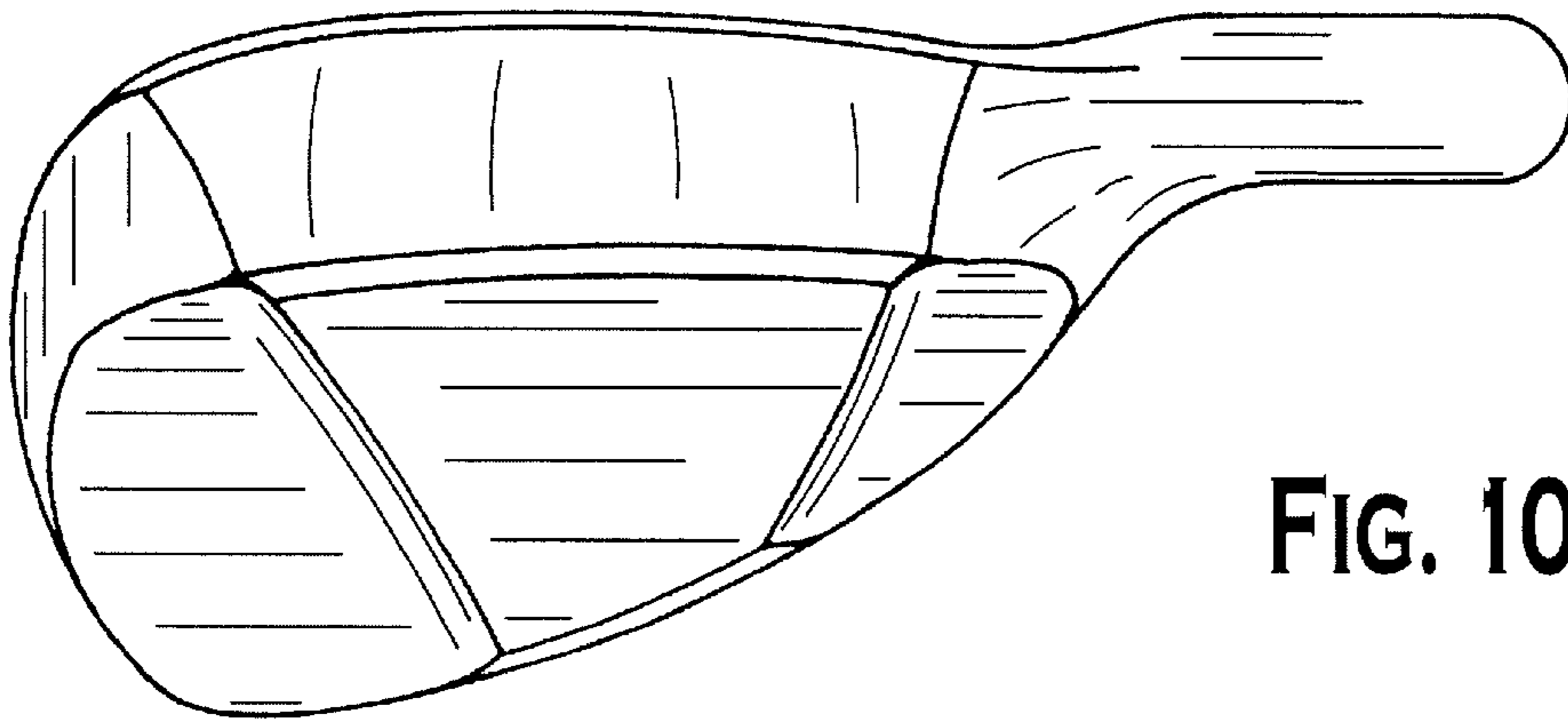


FIG. 10

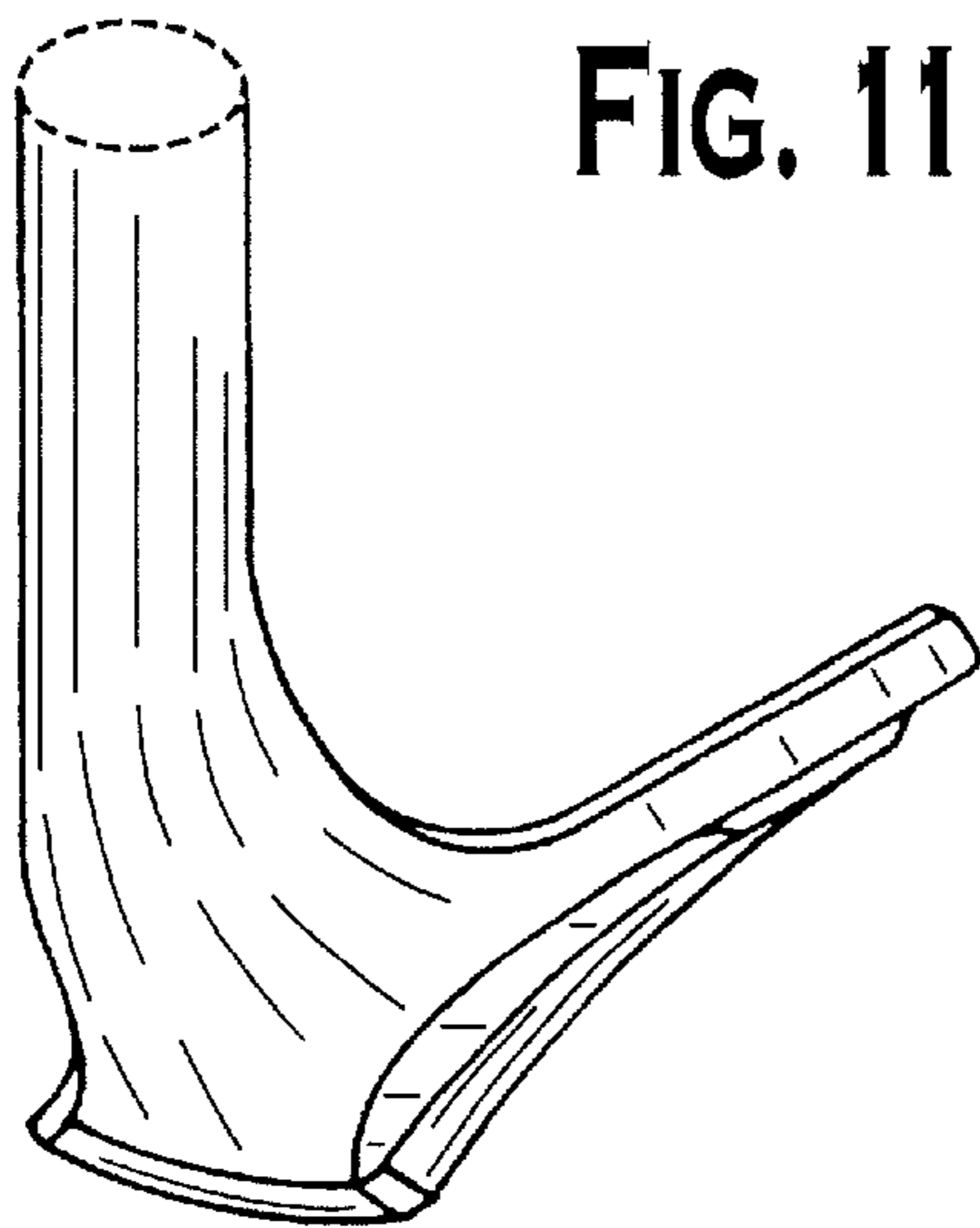


FIG. 11

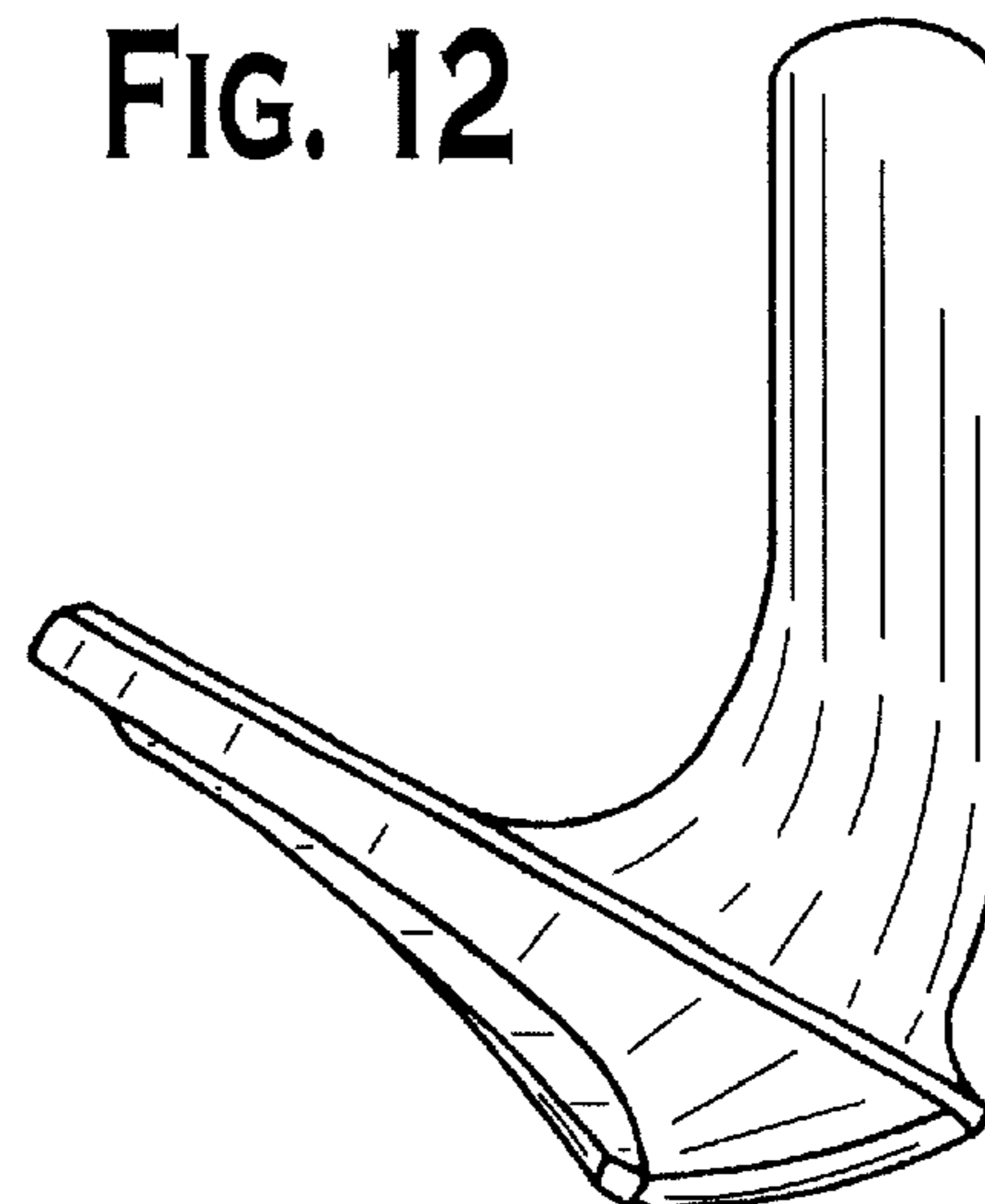


FIG. 12