



US00D521582S

(12) **United States Design Patent**  
**Souza et al.**

(10) **Patent No.: US D521,582 S**

(45) **Date of Patent: \*\* May 23, 2006**

(54) **GOLF PUTTER HEAD**

(75) Inventors: **John C. Souza**, Phoenix, AZ (US);  
**Anthony D. Serrano**, Peoria, AZ (US);  
**John A. Solheim**, Phoenix, AZ (US);  
**David D. Jones**, Glendale, AZ (US);  
**John P. Fife, Jr.**, Phoenix, AZ (US)

(73) Assignee: **Karsten Manufacturing Corporation**,  
Phoenix, AZ (US)

(\*\*) Term: **14 Years**

(21) Appl. No.: **29/217,705**

(22) Filed: **Nov. 19, 2004**

**Related U.S. Application Data**

(63) Continuation-in-part of application No. 29/198,071, filed on  
Jan. 23, 2004, now Pat. No. Des. 507,612.

(51) **LOC (8) Cl. .... 21-02**

(52) **U.S. Cl. .... D21/743**

(58) **Field of Classification Search** ..... D21/736-746;  
473/251-256, 324-331, 340, 341  
See application file for complete search history.

(56) **References Cited**

**U.S. PATENT DOCUMENTS**

D58,209 S	6/1921	Bacheller
D163,083 S	5/1951	Belline
2,954,231 A	9/1960	MacIntyre
D218,178 S	7/1970	Solheim
D230,869 S	3/1974	Winter
D234,960 S	4/1975	Swash
D235,668 S	7/1975	Swash
4,010,958 A	3/1977	Long
D255,373 S	6/1980	Solheim
4,444,395 A	4/1984	Reiss
D282,952 S	3/1986	Mattingly
4,815,739 A	3/1989	Donica
5,058,895 A	10/1991	Igarashi
5,116,047 A	5/1992	Phelan
5,160,141 A	11/1992	Crews
D334,039 S	3/1993	Tanaka

5,213,332 A	5/1993	Fahy et al.
D341,405 S	11/1993	Solheim
5,482,281 A	1/1996	Anderson
D379,484 S	5/1997	Solheim
5,630,765 A	5/1997	Moore
D380,029 S	6/1997	Anderson
D399,911 S	10/1998	Nicolette et al.
5,830,078 A	11/1998	McMahan
D402,722 S	12/1998	Rollinson
5,842,935 A	12/1998	Nelson
D405,137 S	2/1999	Nelson
5,871,407 A	2/1999	Tseng
D410,717 S	6/1999	Anderson
D411,271 S	6/1999	Nelson
5,916,035 A	6/1999	Caiozzo
6,017,280 A	1/2000	Hubert
6,059,669 A	5/2000	Pearce
6,080,070 A	6/2000	Whitley
D437,017 S	1/2001	Ford
D444,833 S	7/2001	Wells et al.
D449,865 S	10/2001	Fife
D451,973 S	12/2001	Wells et al.

(Continued)

*Primary Examiner*—Mitchell Siegel

(74) *Attorney, Agent, or Firm*—Darrell F. Marquette

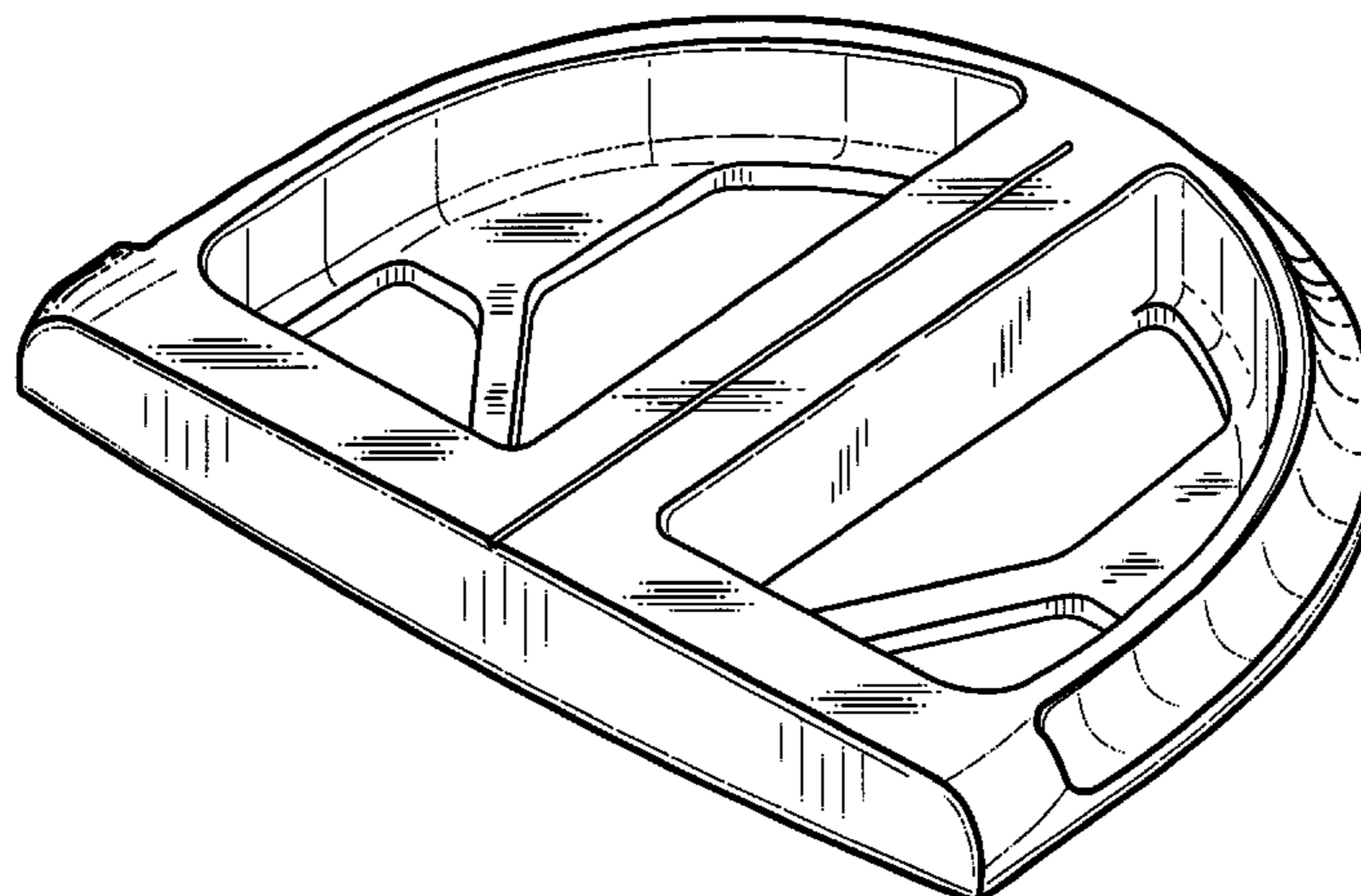
(57) **CLAIM**

The ornamental design for a golf putter head, as shown and described.

**DESCRIPTION**

FIG. 1 is a perspective view of a golf putter head showing our new design;  
FIG. 2 is a top view of the golf putter head of FIG. 1;  
FIG. 3 is a front elevational view of the golf putter head of FIG. 1;  
FIG. 4 is a rear elevational view of the golf putter head of FIG. 1;  
FIG. 5 is a bottom view of the golf putter head of FIG. 1;  
FIG. 6 is a heel end view of the golf putter head of FIG. 1; and,  
FIG. 7 is a toe end view of the golf putter head of FIG. 1.

**1 Claim, 3 Drawing Sheets**



# US D521,582 S

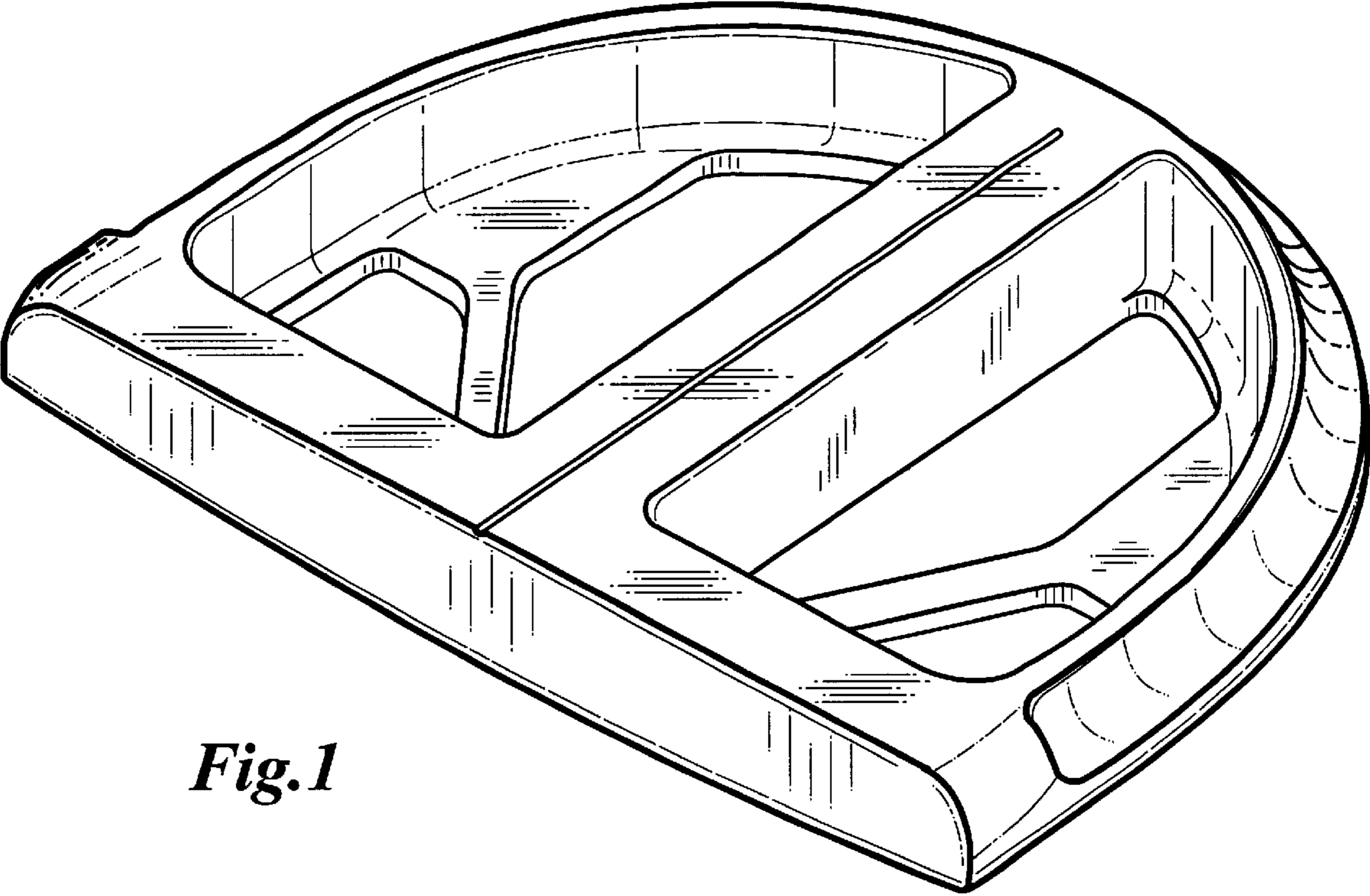
Page 2

---

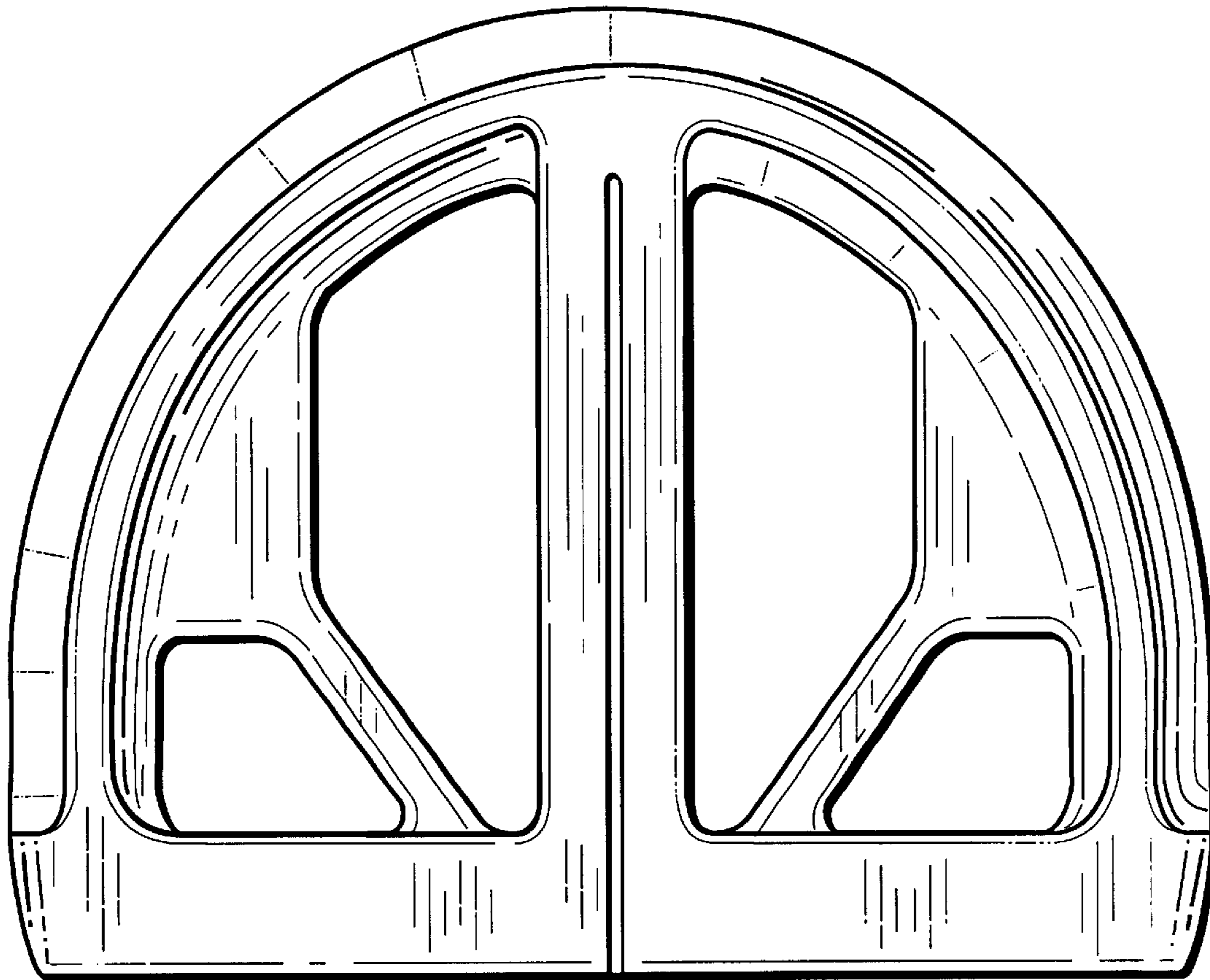
## U.S. PATENT DOCUMENTS

6,350,208 B1	2/2002	Ford	D496,417 S	9/2004	Tang	
D460,990 S	7/2002	Jung	D496,418 S	9/2004	Tang	
D461,860 S	8/2002	Tang	6,796,911 B1	9/2004	Grace	
D472,949 S	4/2003	Serrano	D499,778 S	12/2004	Cameron	
D474,821 S	5/2003	Wells et al.	D500,109 S	12/2004	Solheim et al.	
D484,935 S	1/2004	Tang	D500,110 S	12/2004	Solheim et al.	
D485,321 S	1/2004	Breier et al.	6,837,801 B1	1/2005	Souza et al.	
D488,526 S	4/2004	Souza et al.	D507,612 S *	7/2005	Souza et al. ....	D21/738
D493,857 S	8/2004	Cameron				

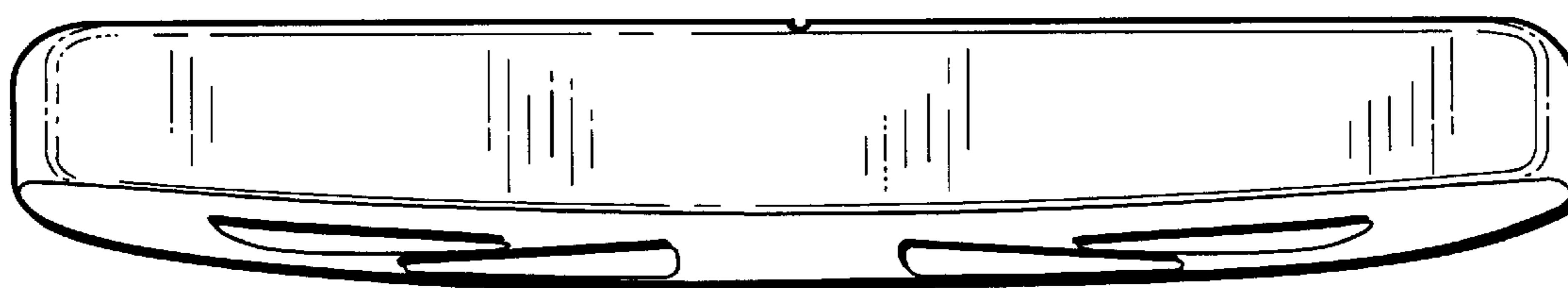
\* cited by examiner



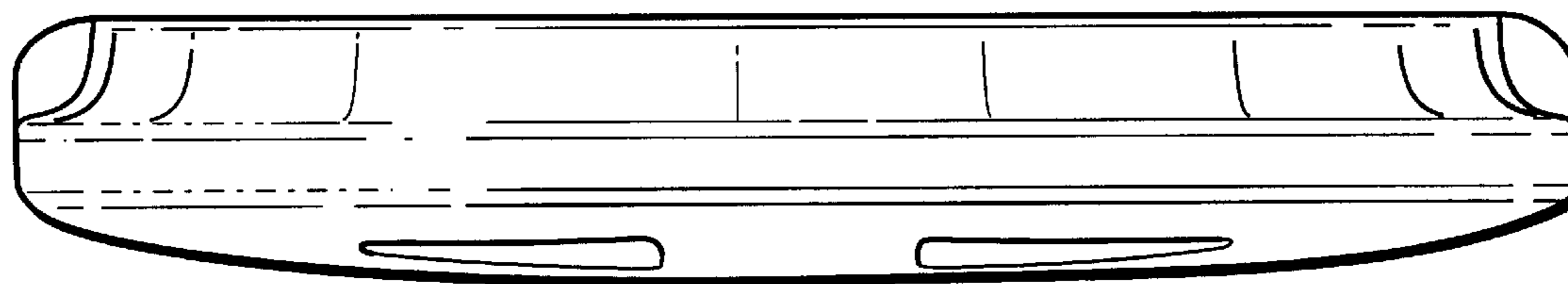
*Fig. 1*



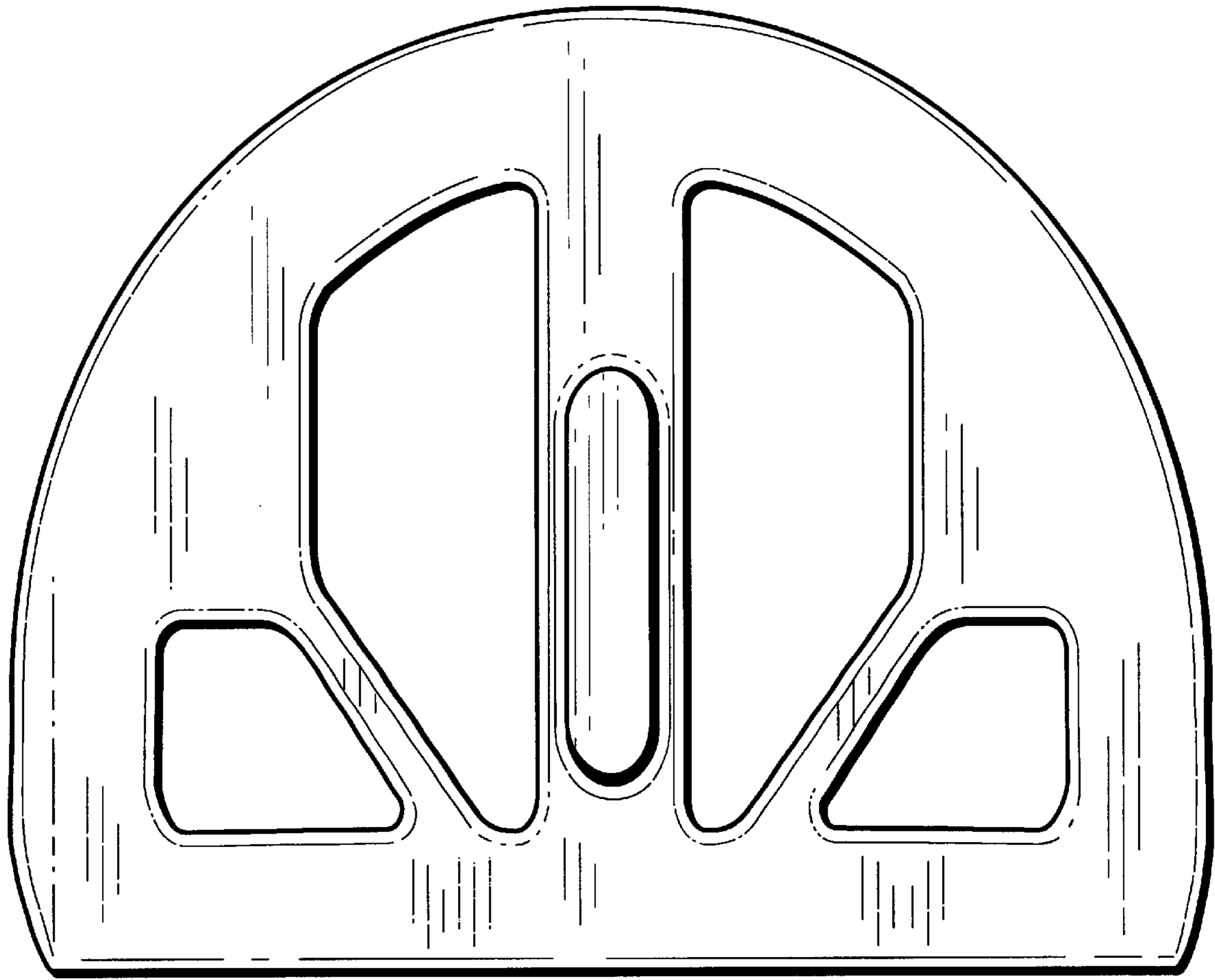
*Fig.2*



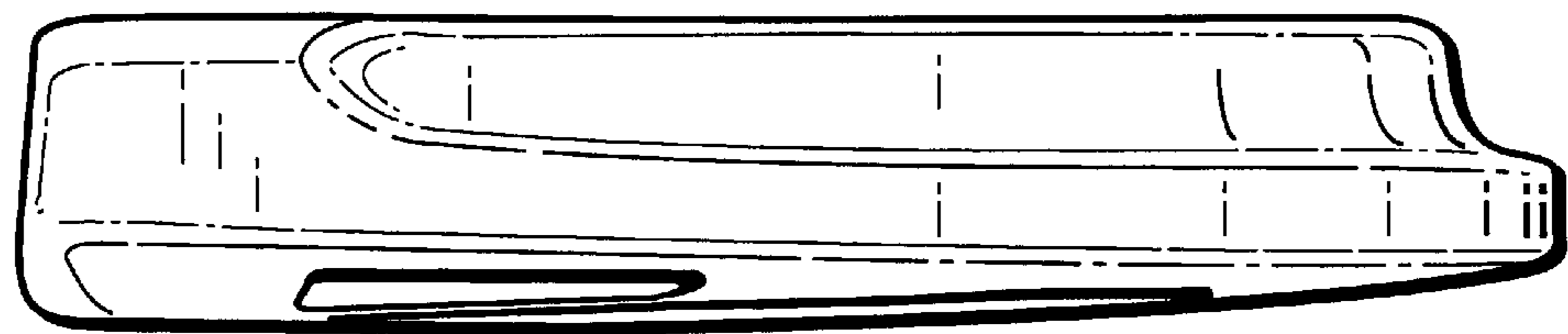
*Fig.3*



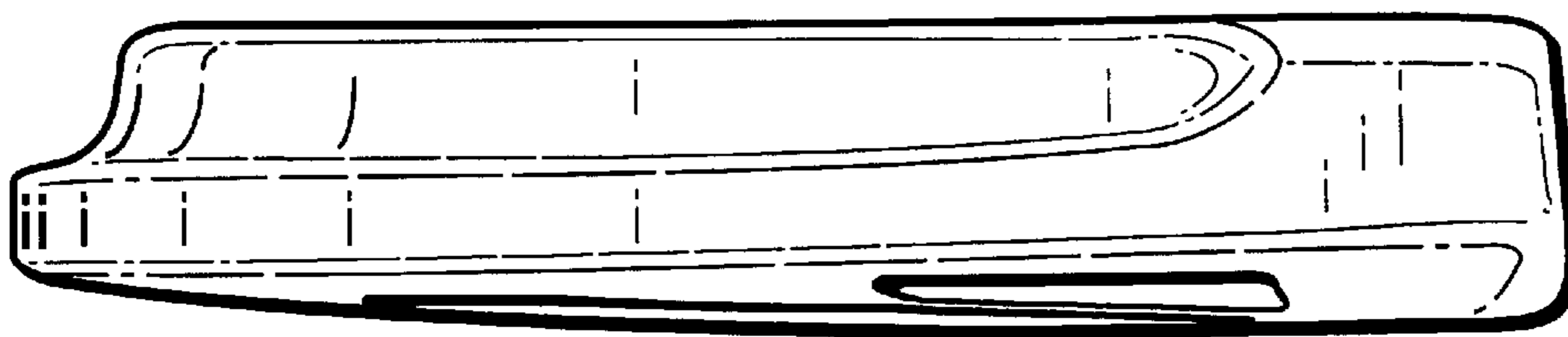
*Fig.4*



*Fig. 5*



*Fig. 6*



*Fig. 7*