



US00D521580S

(12) **United States Design Patent**
Burrows

(10) **Patent No.:** **US D521,580 S**

(45) **Date of Patent:** **** May 23, 2006**

- (54) **GOLF CLUB PUTTER HEAD**
- (75) Inventor: **Bruce D. Burrows**, Valencia, CA (US)
- (73) Assignee: **BGI Acquisition, LLC**, Indianapolis, IN (US)
- (**) Term: **14 Years**

D426,599 S *	6/2000	Morgan et al.	D21/736
D443,906 S *	6/2001	Hettinger et al.	D21/743
6,440,006 B1	8/2002	Johnson	
6,595,870 B1	7/2003	Stites et al.	
2003/0125128 A1	7/2003	Reeves	
2003/0144077 A1	7/2003	Cullen	
2004/0038748 A1	2/2004	Bennett	
2004/0110575 A1	6/2004	Stites et al.	

- (21) Appl. No.: **29/217,471**
- (22) Filed: **Nov. 16, 2004**
- (51) **LOC (8) Cl.** **21-02**
- (52) **U.S. Cl.** **D21/736**
- (58) **Field of Classification Search** D21/736-746;
473/324-331, 340, 341, 251-256
See application file for complete search history.

* cited by examiner

Primary Examiner—Mitchell Siegel

(74) *Attorney, Agent, or Firm*—Ice Miller LLP

(57) **CLAIM**

The ornamental design for a golf club putter head, as shown and described.

DESCRIPTION

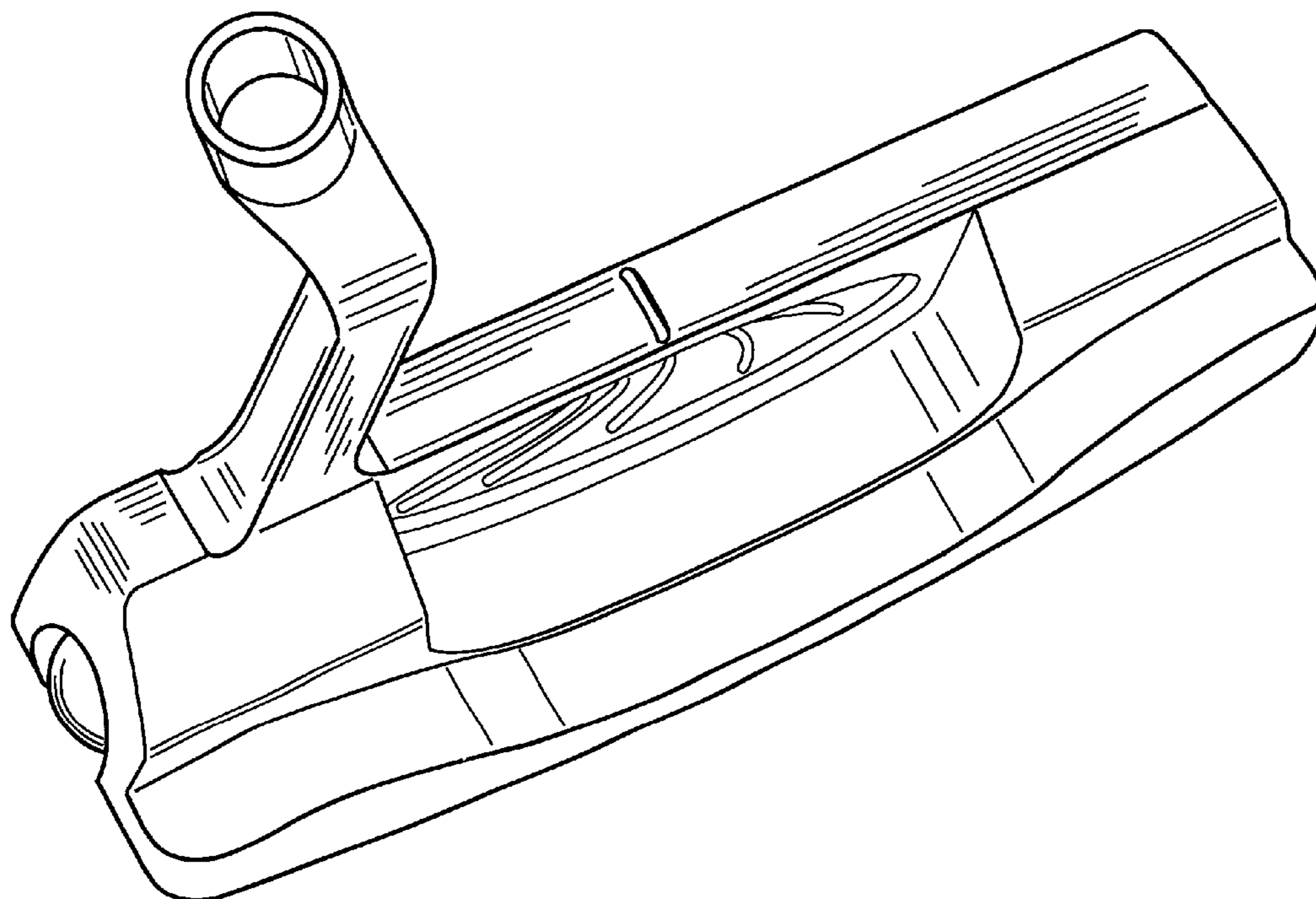
FIG. 1 is a perspective view showing the top, rear and heel end of a golf club putter head embodying the new design; FIG. 2 is a rear elevation view thereof; FIG. 3 is a front elevation view thereof, the dotted line depiction of a faceplate groove pattern being for illustrative purposes only and forming no part of the claimed design; FIG. 4 is a heel end elevation view thereof; FIG. 5 is a toe end elevation view thereof; FIG. 6 is a top plan view thereof; FIG. 7 is a bottom plan view thereof; and, FIG. 8 is a rear elevation view depicting an alternative embodiment of the design, the front, heel end, and top and bottom plan views being identical to the embodiment shown in FIGS. 3-7.

(56) **References Cited**

U.S. PATENT DOCUMENTS

D202,715 S	11/1965	Solheim	
D207,227 S *	3/1967	Solheim	D21/739
4,962,932 A	10/1990	Anderson	
5,013,041 A	5/1991	Sun et al.	
5,489,097 A	2/1996	Simmons	
5,501,453 A	3/1996	Hurst	
5,527,035 A	6/1996	Marshall	
5,577,965 A	11/1996	Burgess	
5,655,976 A	8/1997	Rife	
D389,207 S *	1/1998	Cameron	D21/742
5,707,299 A	1/1998	McKenna	
5,749,790 A	5/1998	Van Alen, II et al.	
5,865,687 A	2/1999	Alzano	
6,015,354 A	1/2000	Ahn et al.	

1 Claim, 3 Drawing Sheets



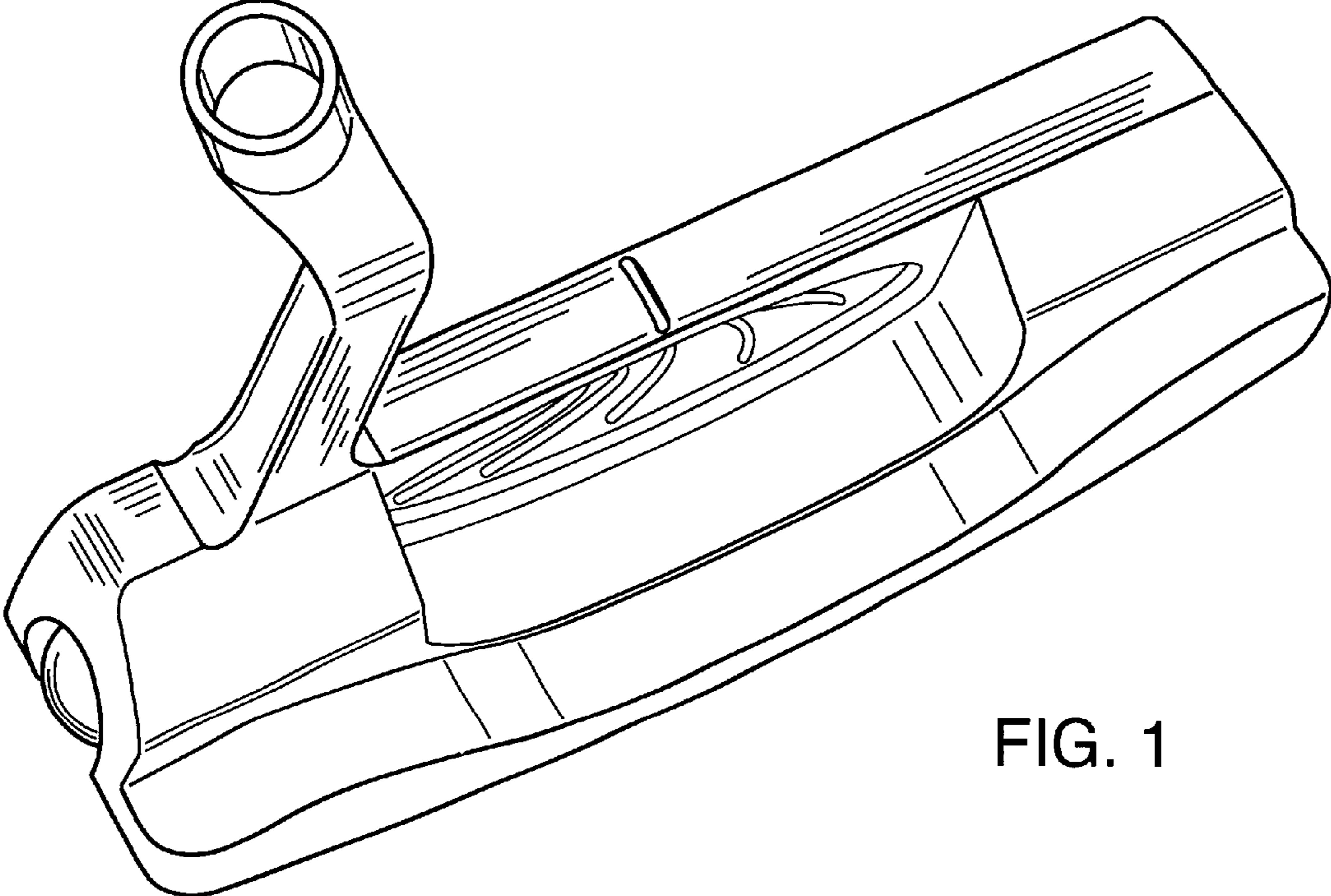


FIG. 1

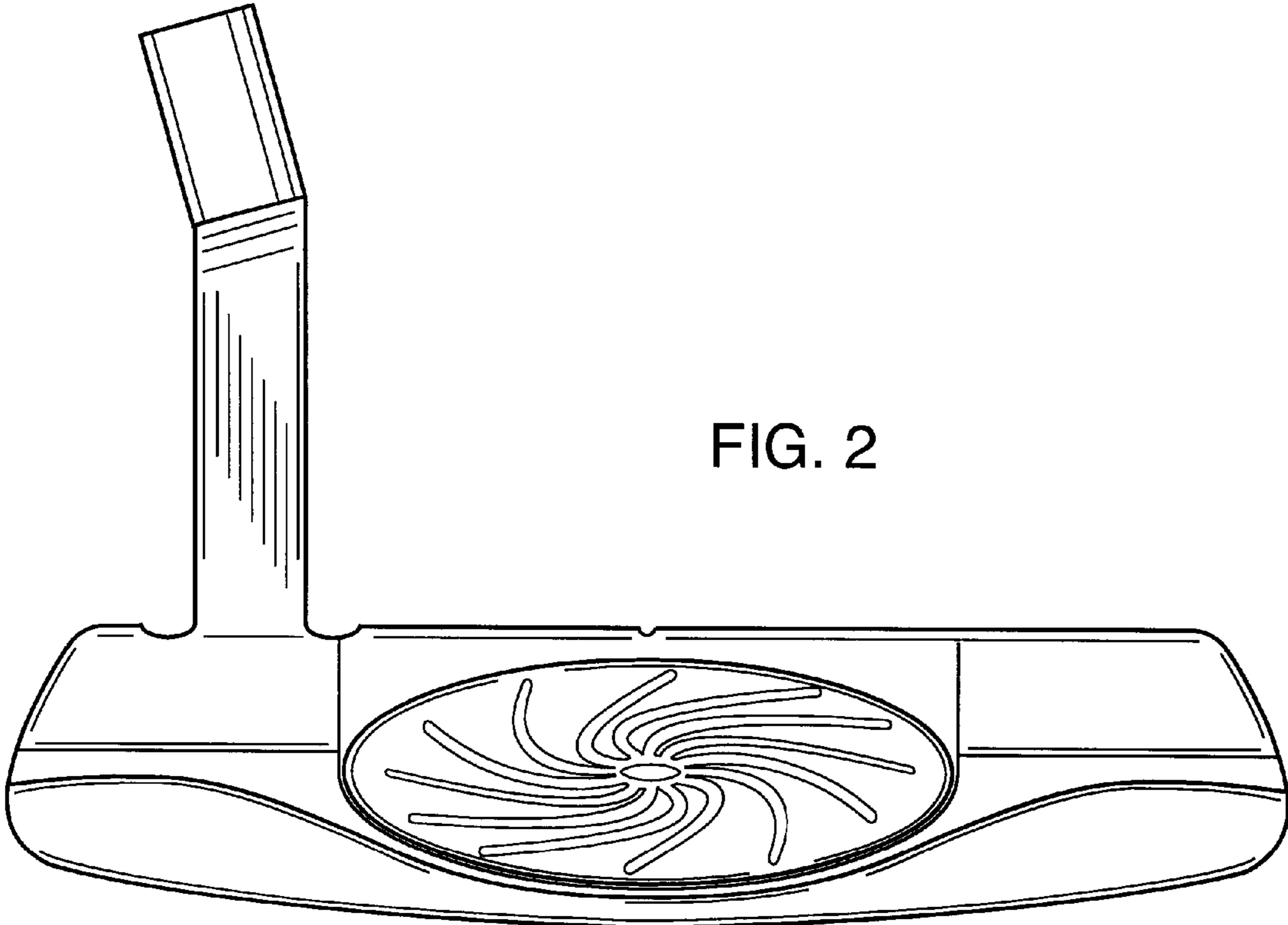


FIG. 2

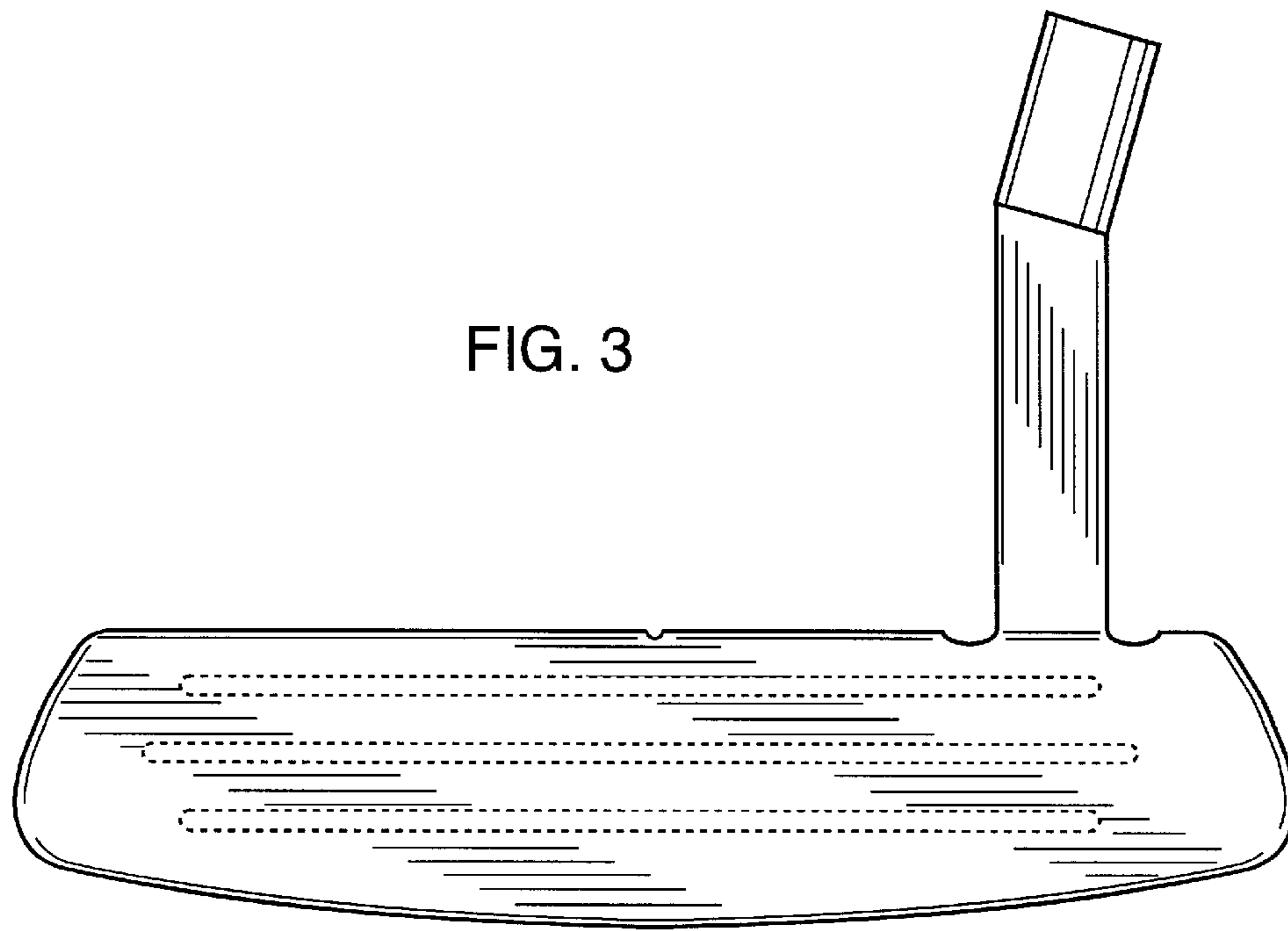


FIG. 3

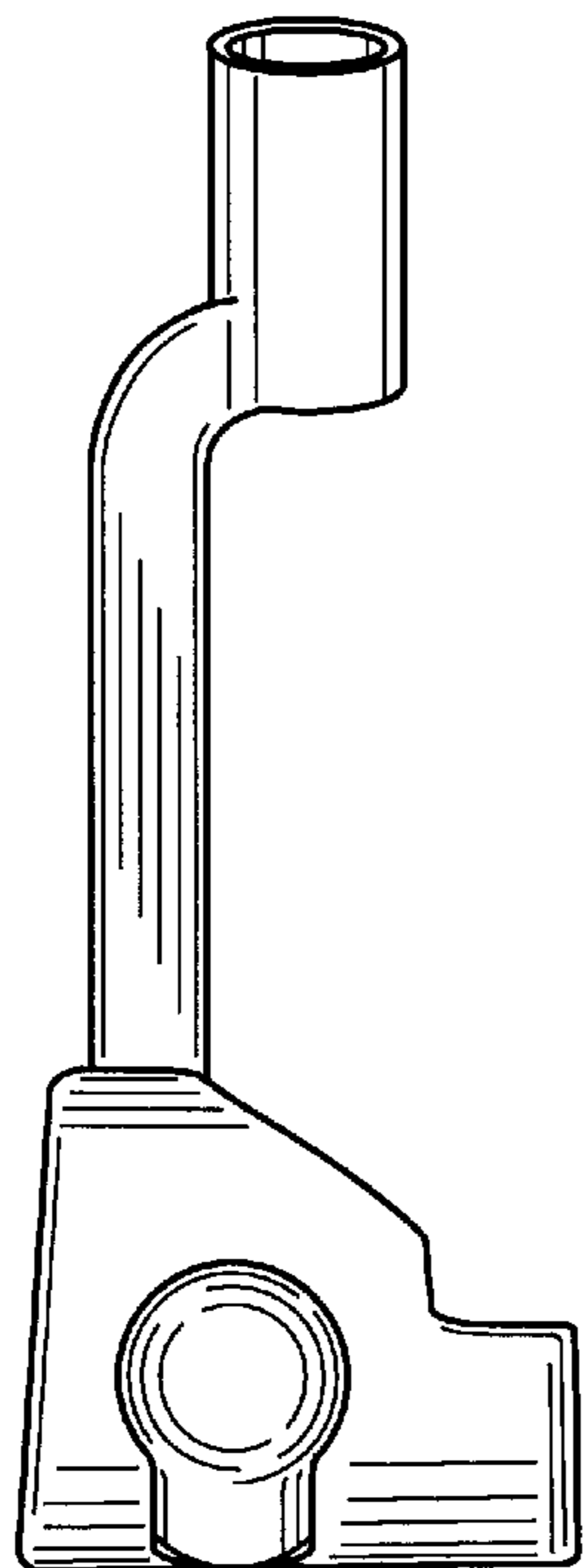


FIG. 4

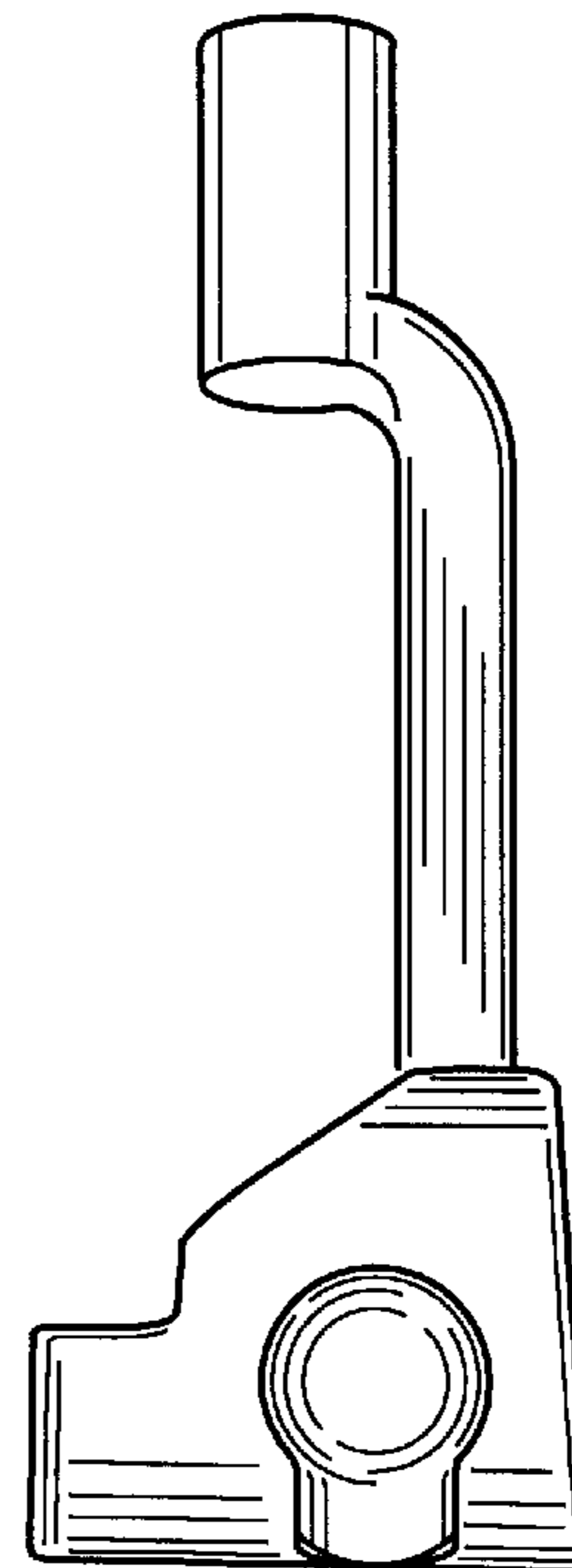


FIG. 5

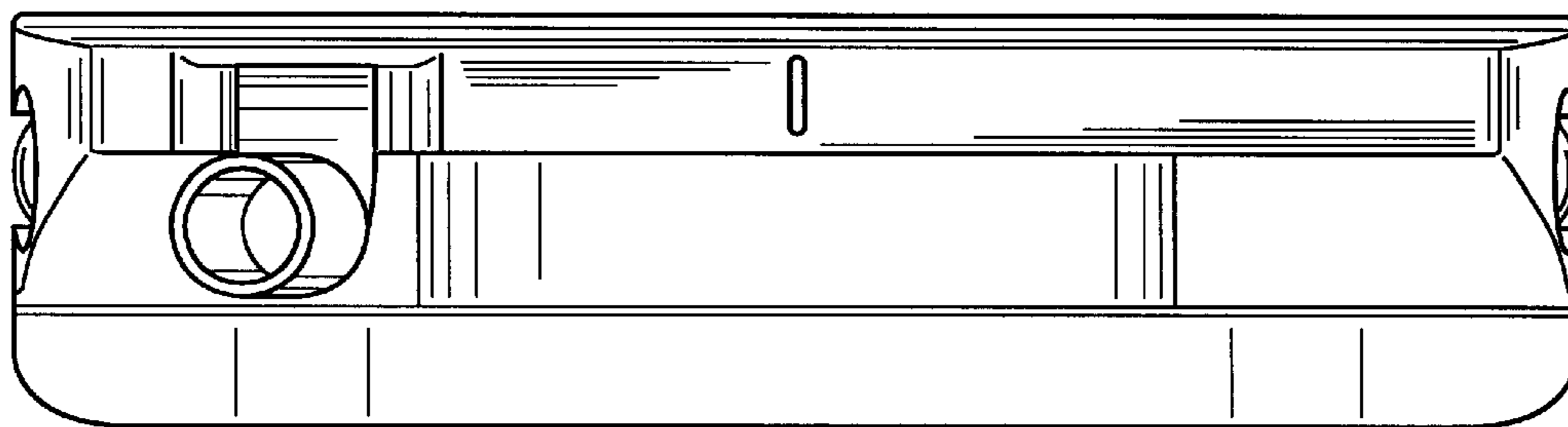


FIG. 6

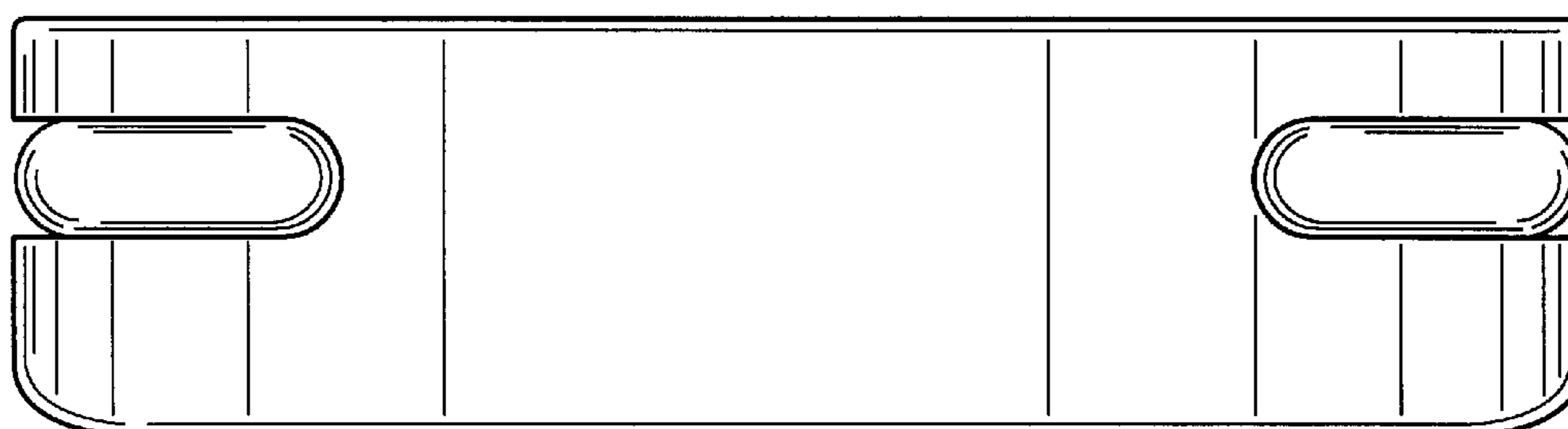


FIG. 7

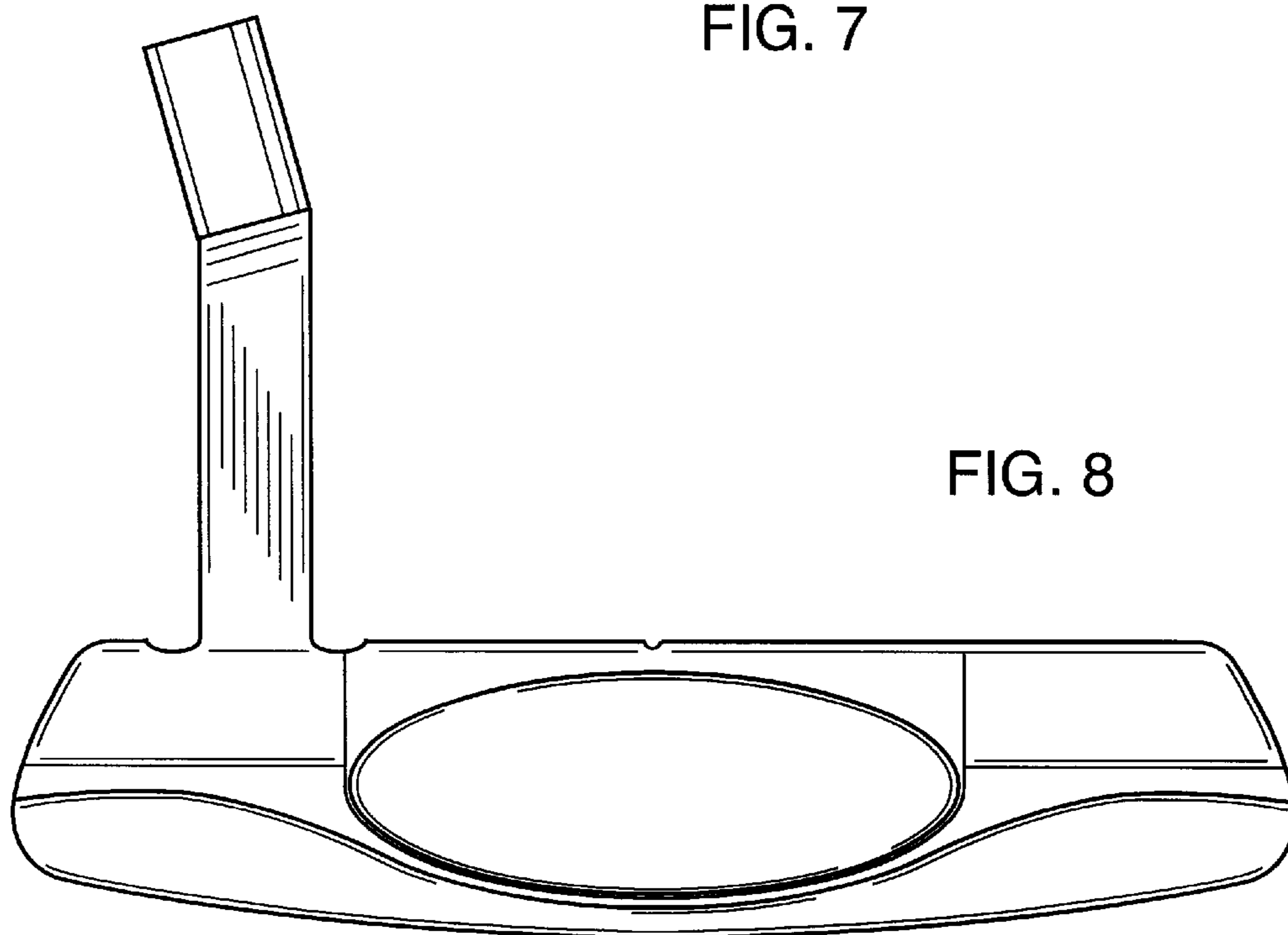


FIG. 8