

US00D521579S

(12) **United States Design Patent**
Quinn

(10) **Patent No.:** **US D521,579 S**

(45) **Date of Patent:** **** May 23, 2006**

(54) **LACROSSE STICK HEAD**

D286,803 S * 11/1986 Brine, Jr. D21/724
D350,173 S * 8/1994 Tucker et al. D21/724

(75) Inventor: **Charles T. Quinn**, Dover, MA (US)

* cited by examiner

(73) Assignee: **Franklin Sports, Inc.**, Stoughton, MA (US)

Primary Examiner—Mitchell Siegel

(74) *Attorney, Agent, or Firm*—Joseph B. Bowman

(**) Term: **14 Years**

(57) **CLAIM**

(21) Appl. No.: **29/228,085**

The ornamental design for a lacrosse stick head, as shown and described.

(22) Filed: **Apr. 19, 2005**

DESCRIPTION

(51) **LOC (8) Cl.** **21-02**

(52) **U.S. Cl.** **D21/724**

(58) **Field of Classification Search** D21/724;
473/505–508

See application file for complete search history.

FIG. 1 is a prospective view of a lacrosse stick head showing a preferred embodiment of my new design; FIG. 2 is a front elevational view thereof; FIG. 3 is a rear elevational view thereof; FIG. 4 is a left side elevational view thereof; FIG. 5 is a right side elevational view thereof; FIG. 6 is a top plan view thereof; and, FIG. 7 is a bottom plan view thereof.

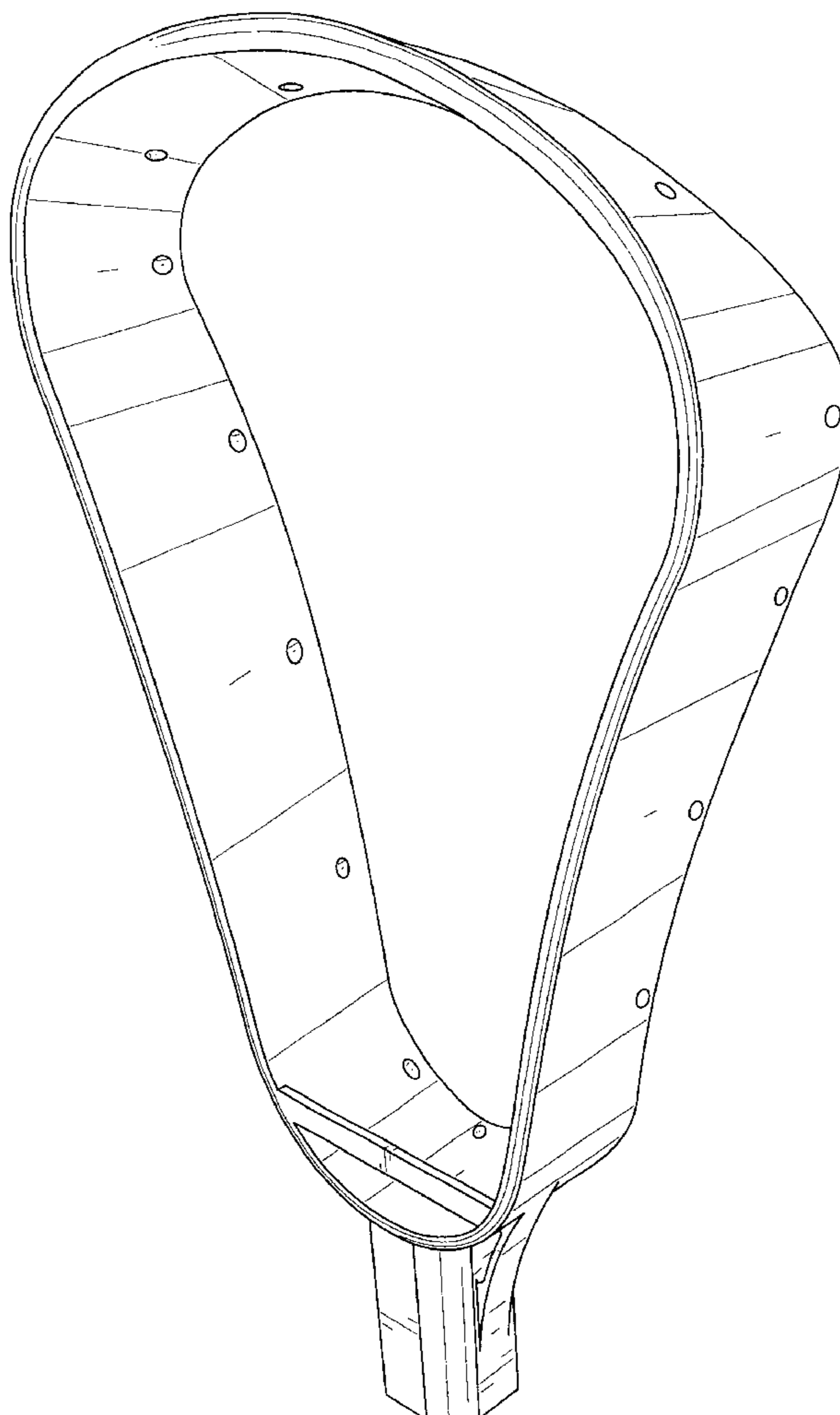
The broken line showing is for illustrative purposes only and forms no part of the claimed design.

(56) **References Cited**

U.S. PATENT DOCUMENTS

- D252,167 S * 6/1979 Ahlenfeld et al. D21/724
- D265,845 S * 8/1982 Brine et al. D21/724
- D273,601 S * 4/1984 Lewis et al. D21/724
- D277,691 S * 2/1985 Rule D21/724

1 Claim, 5 Drawing Sheets



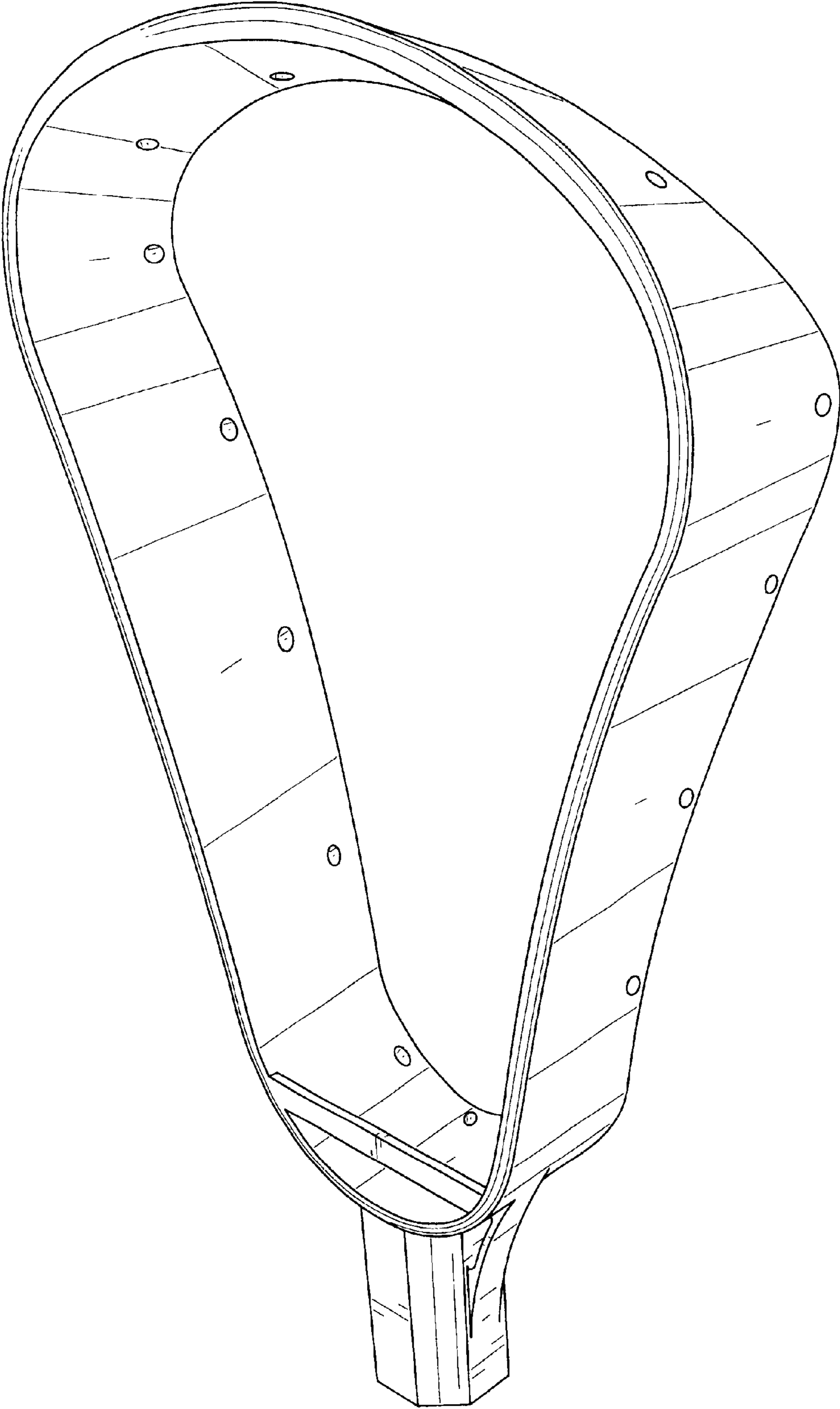


FIG. 1

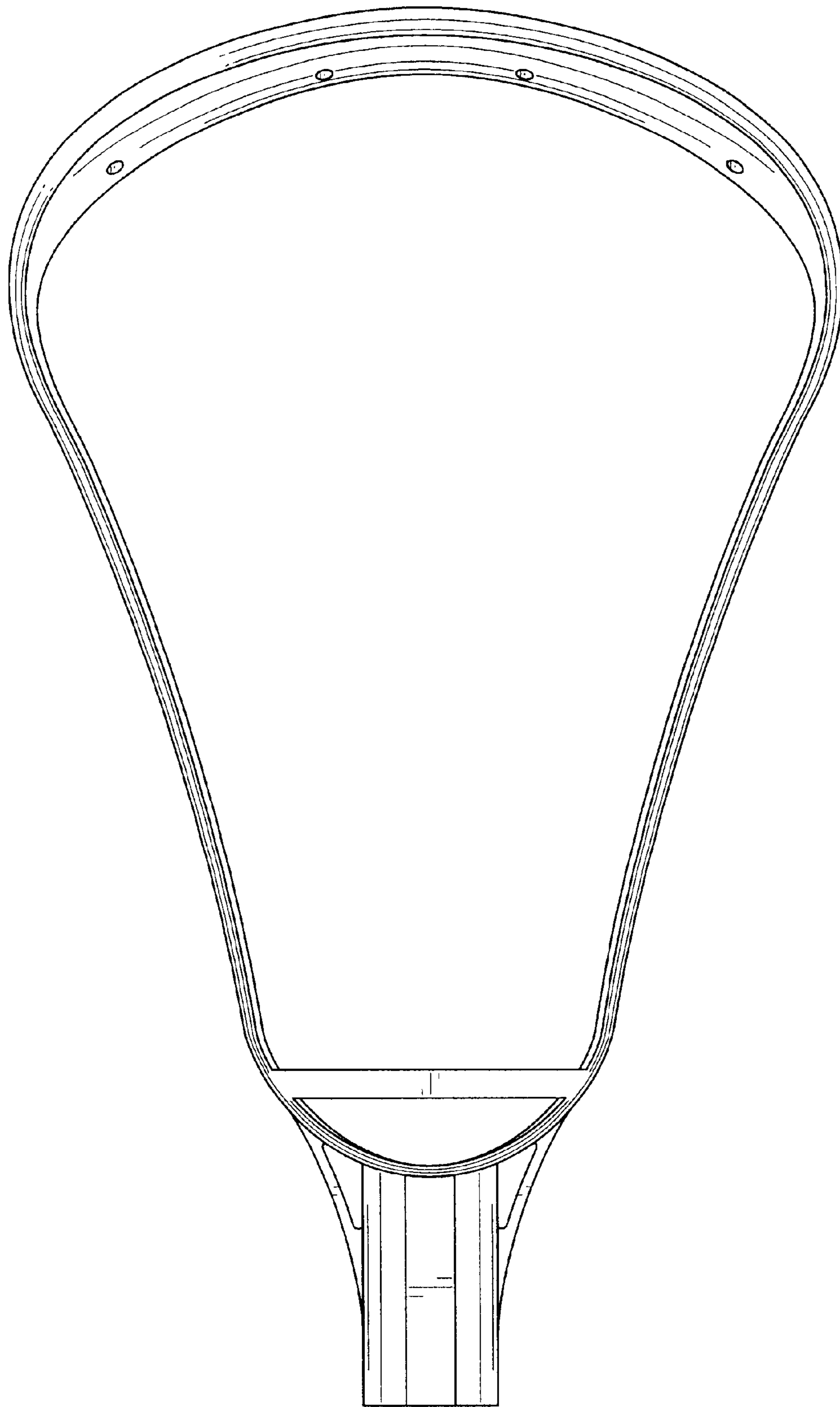


FIG. 2

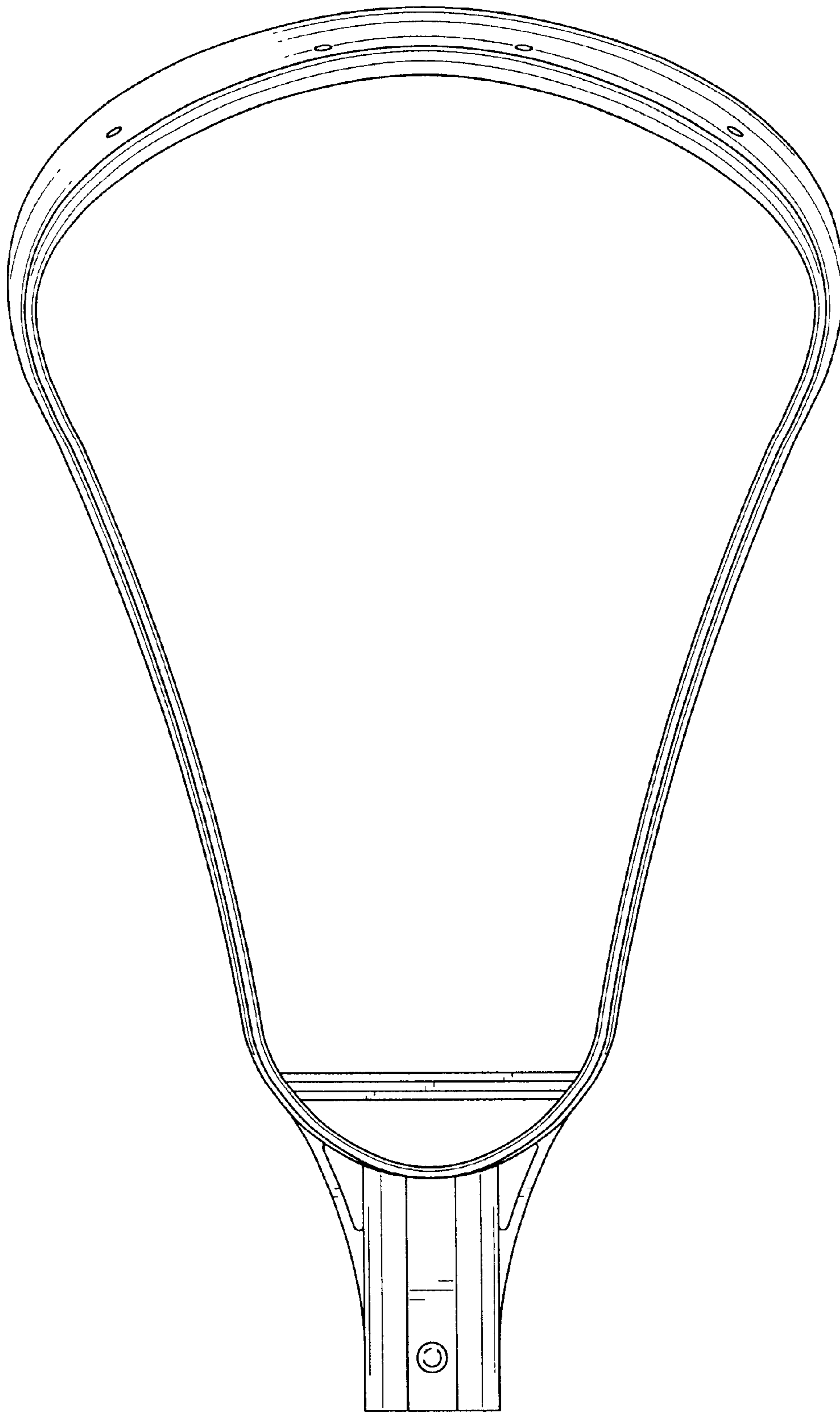


FIG. 3

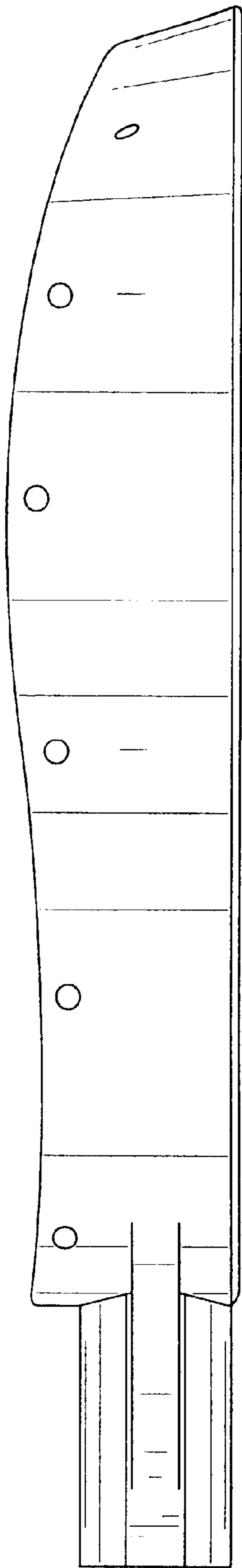


FIG. 4

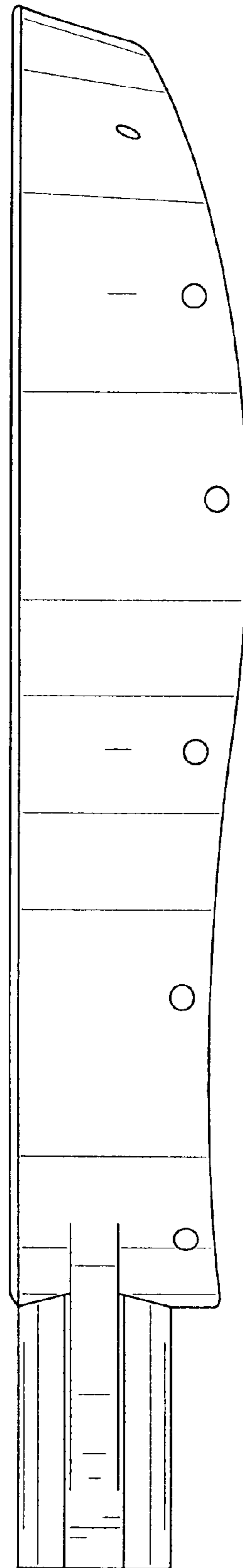


FIG. 5

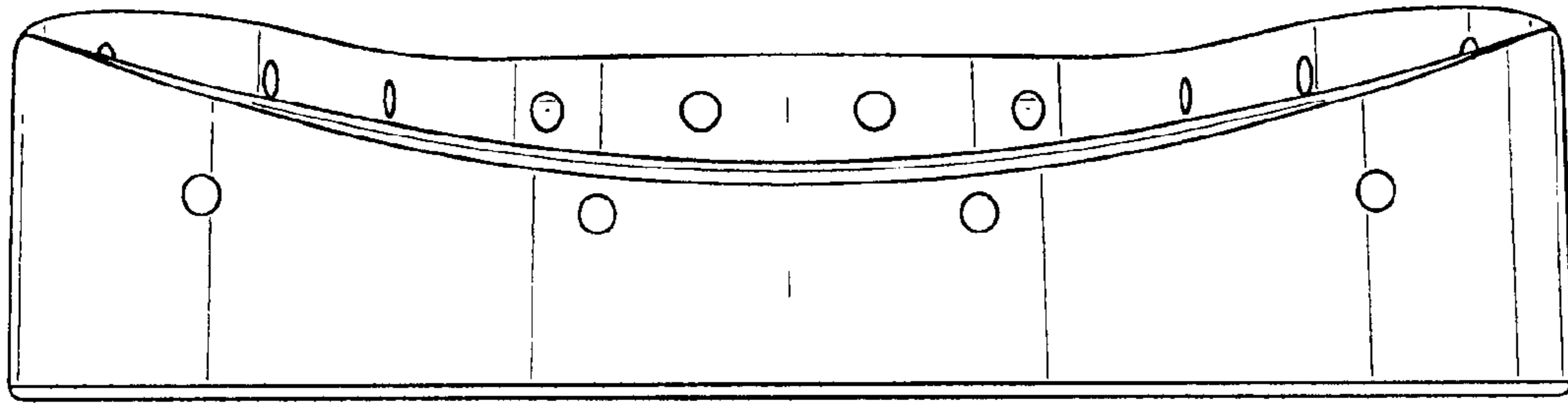


FIG. 6

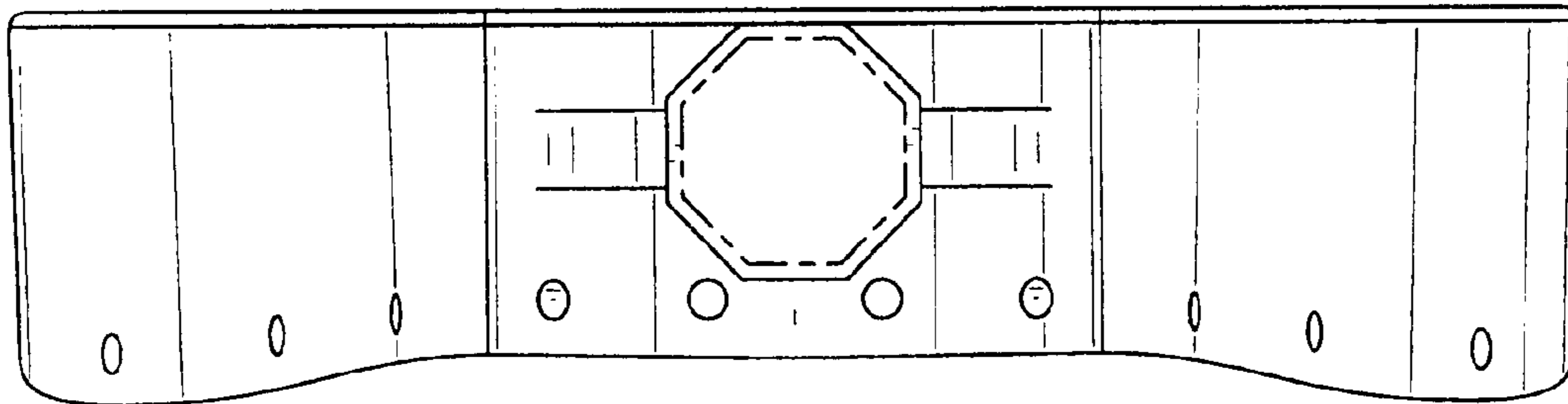


FIG. 7