

US00D521577S

(12) **United States Design Patent**  
**Wu**

(10) **Patent No.:** **US D521,577 S**

(45) **Date of Patent:** **\*\* May 23, 2006**

(54) **TREADMILL**

(75) Inventor: **Shen Yi Wu**, Taichung (TW)

(73) Assignee: **Strength Master Health Corp.**,  
Taichung (TW)

(\*\*) Term: **14 Years**

(21) Appl. No.: **29/222,714**

(22) Filed: **Feb. 4, 2005**

(51) **LOC (8) Cl.** ..... **21-02**

(52) **U.S. Cl.** ..... **D21/669**

(58) **Field of Classification Search** ..... D21/662,  
D21/668, 669, 670; 482/51, 52, 54, 70  
See application file for complete search history.

(56) **References Cited**

**U.S. PATENT DOCUMENTS**

D280,002 S	*	8/1985	Smith	.....	D21/669
D323,198 S	*	1/1992	Dalebout et al.	.....	D21/669
D333,330 S	*	2/1993	Clem	.....	D21/669
D392,351 S	*	3/1998	Coody et al.	.....	D21/669
D403,034 S	*	12/1998	Moon et al.	.....	D21/669

D416,298 S	*	11/1999	Onuma et al.	.....	D21/669
6,019,706 A	*	2/2000	Wang et al.	.....	482/54
6,050,922 A	*	4/2000	Wang	.....	482/54
6,171,216 B1	*	1/2001	Wang et al.	.....	482/54
D445,152 S	*	7/2001	Wang et al.	.....	D21/669
D450,792 S	*	11/2001	Kuo	.....	D21/669

\* cited by examiner

*Primary Examiner*—Philip S. Hyder

(74) *Attorney, Agent, or Firm*—Rosenberg, Klein & Lee

(57) **CLAIM**

The ornamental design for a treadmill, as shown and described.

**DESCRIPTION**

FIG. 1 is a perspective view of a treadmill showing my new design;

FIG. 2 is a front elevational view thereof;

FIG. 3 is a rear elevational view thereof;

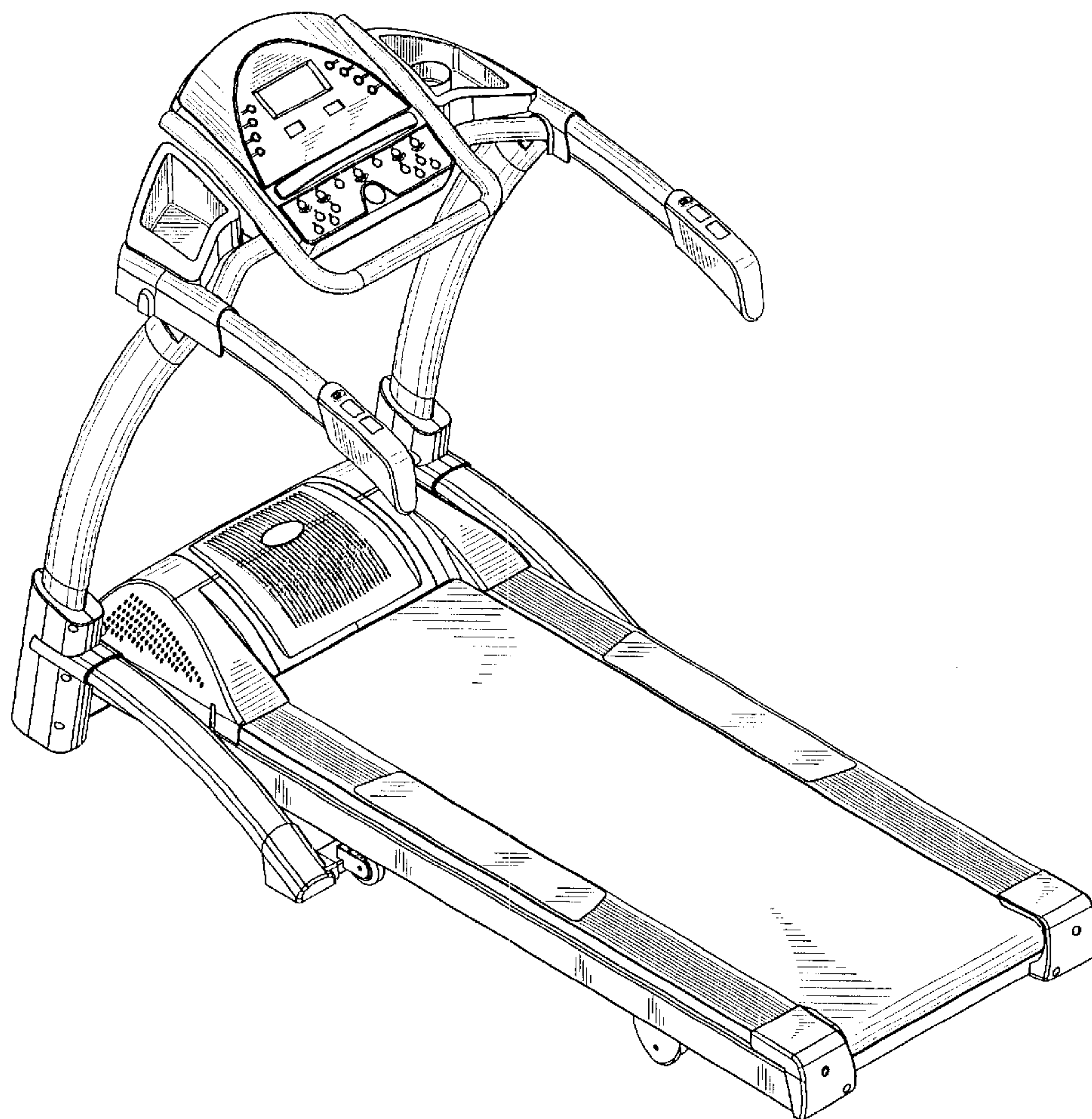
FIG. 4 is a left side view thereof;

FIG. 5 is a right side view thereof;

FIG. 6 is a top plain view thereof; and,

FIG. 7 is a bottom plain view thereof.

**1 Claim, 7 Drawing Sheets**



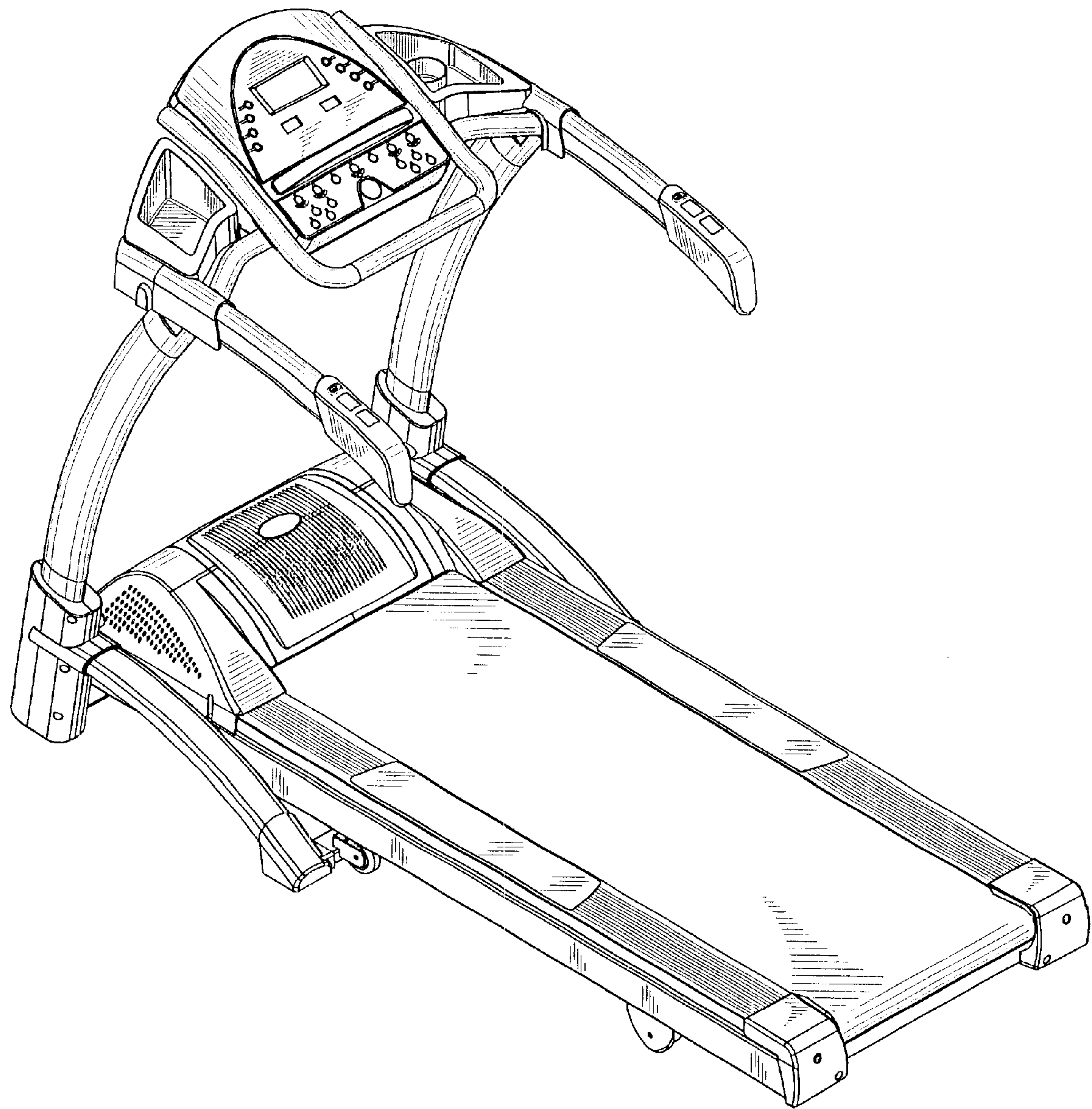


FIG. 1



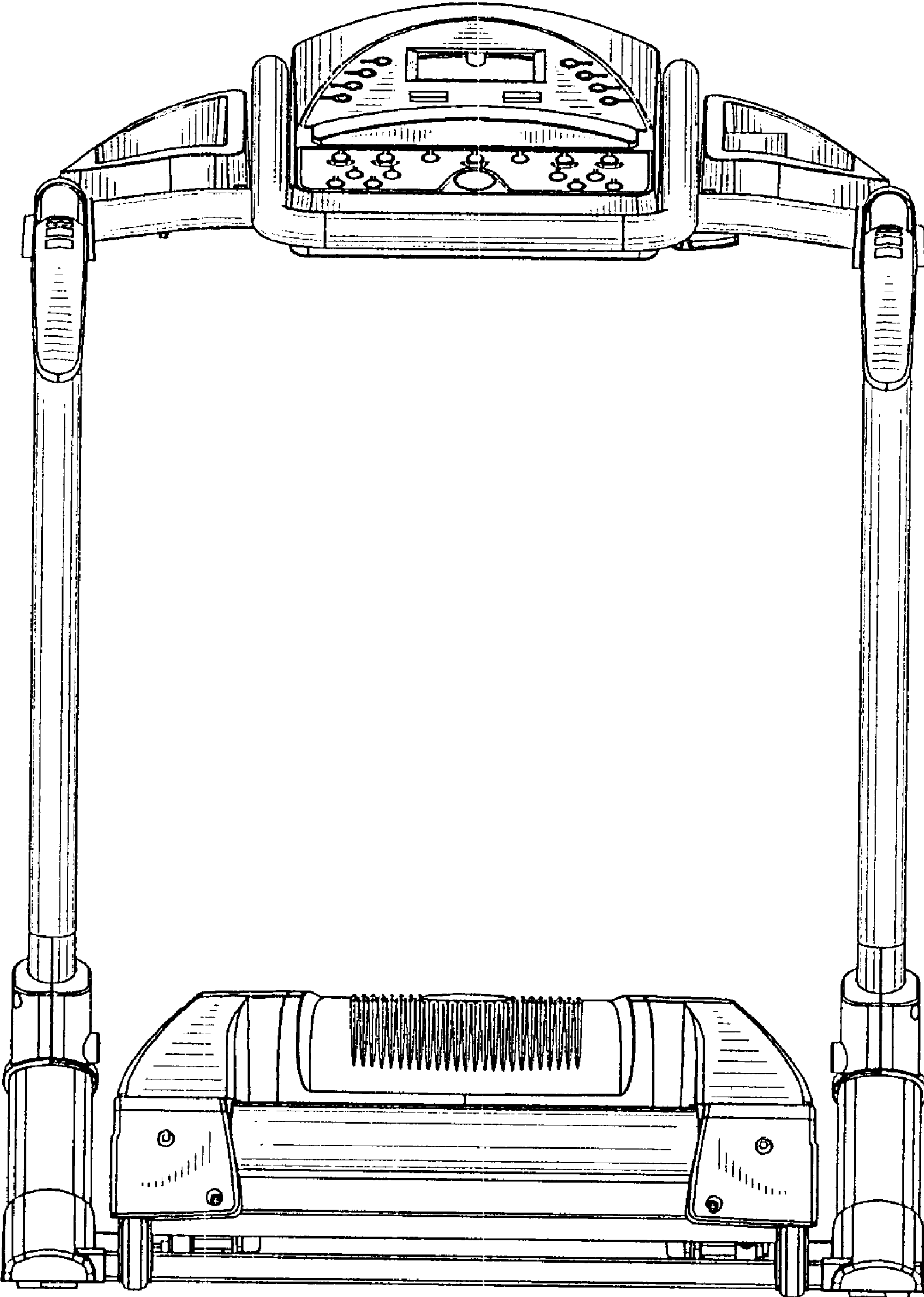


FIG. 2

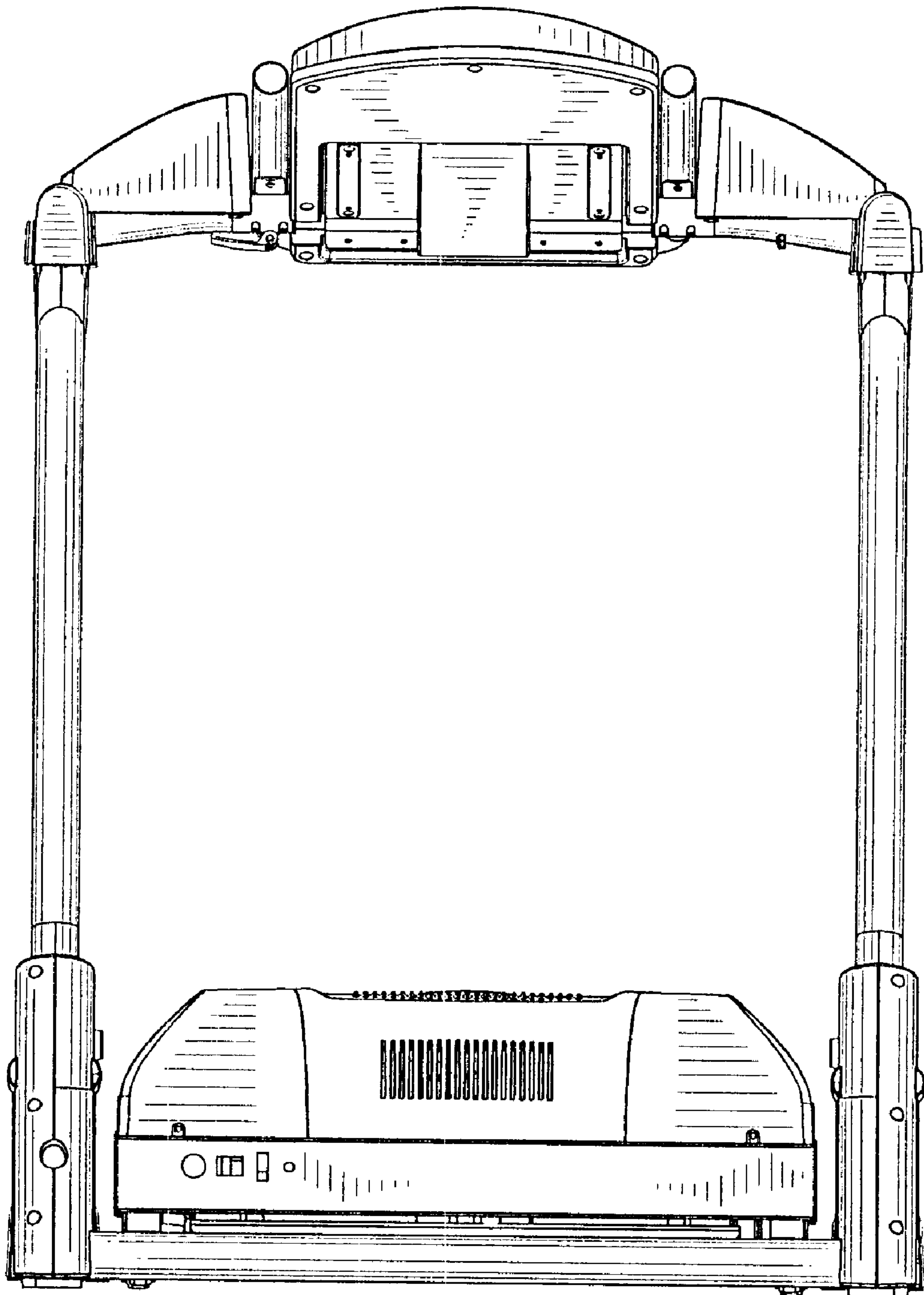


FIG. 3

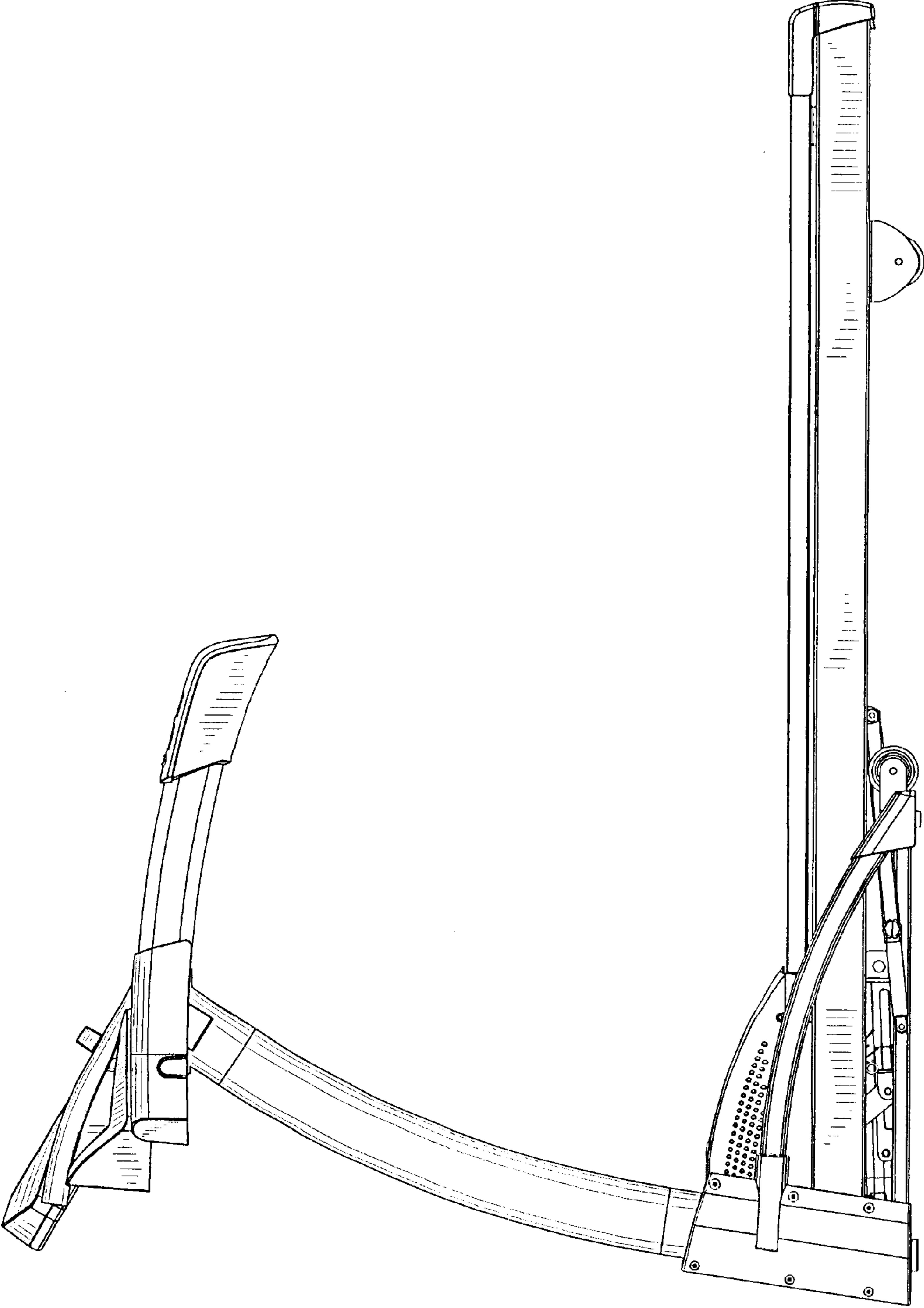


FIG. 4

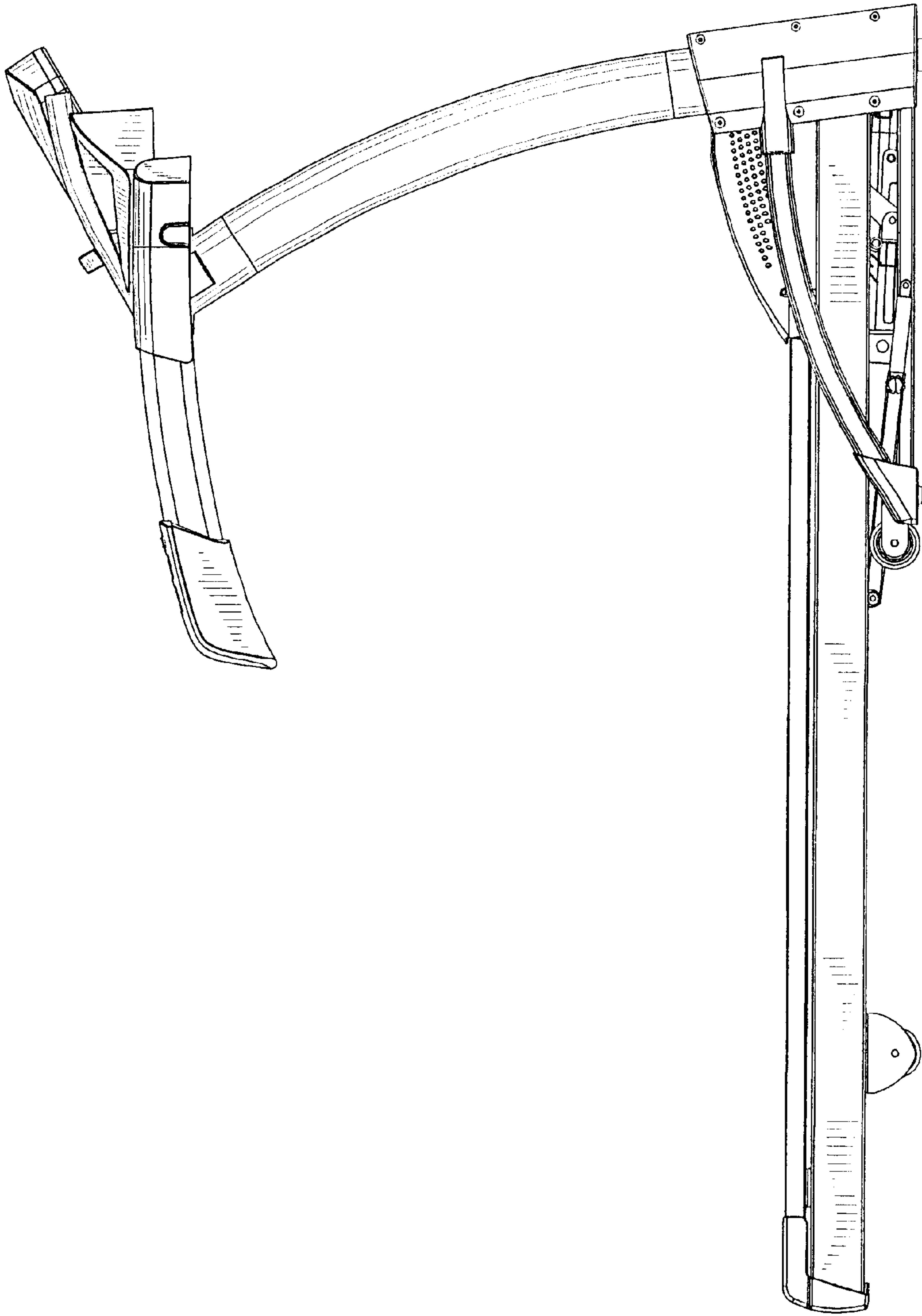


FIG. 5

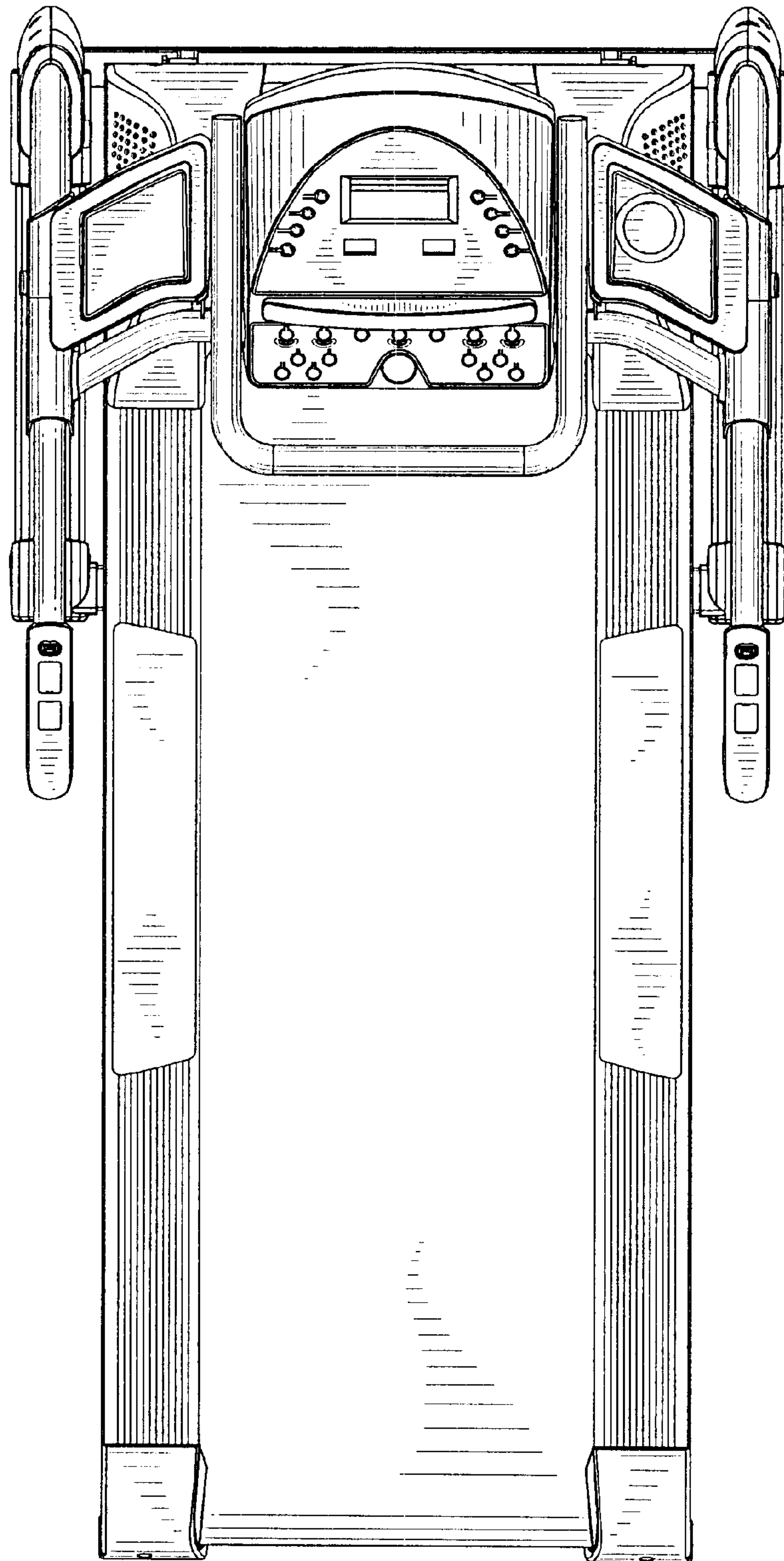


FIG. 6



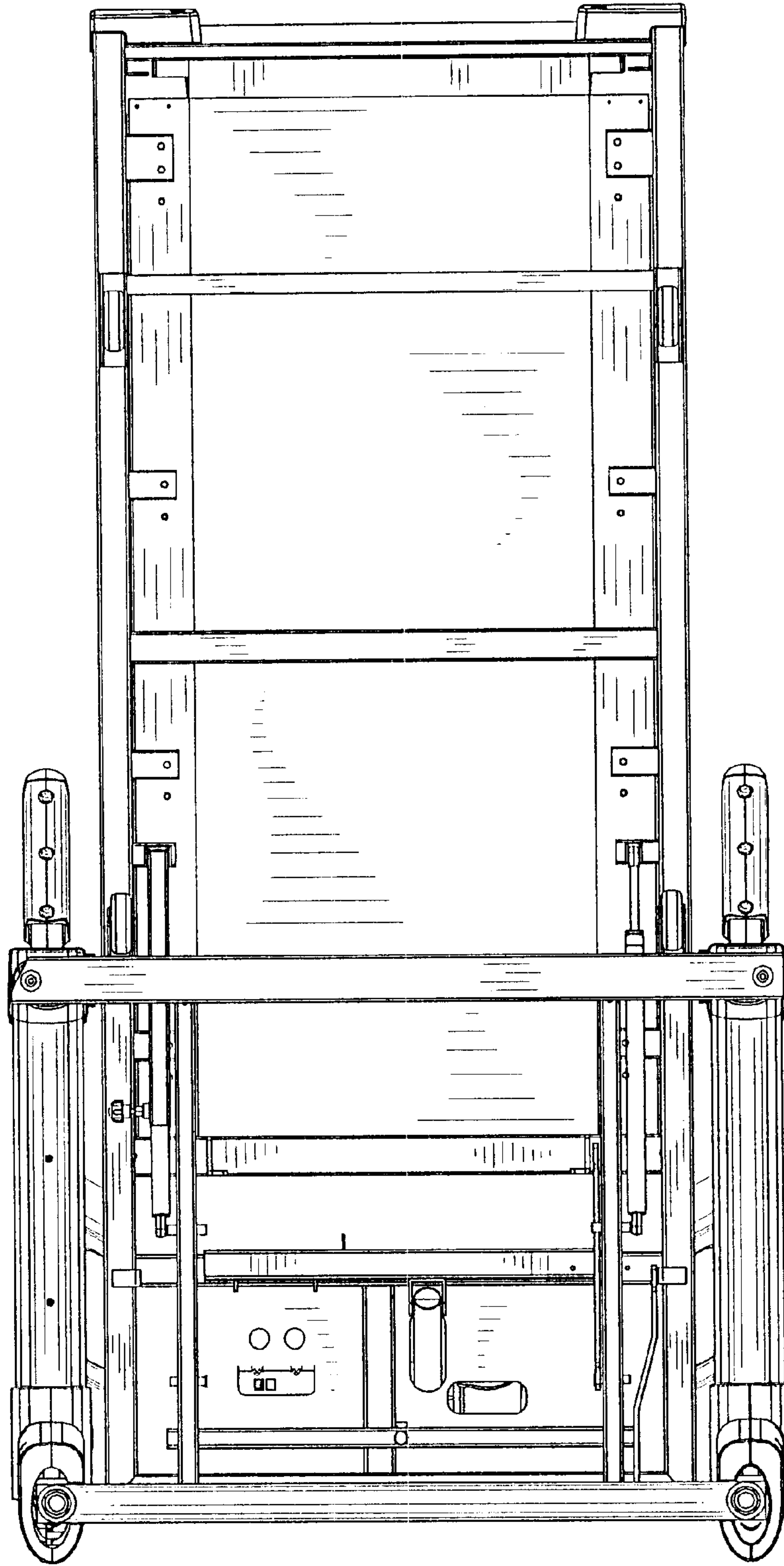


FIG. 7