



US00D521576S

(12) **United States Design Patent**
Hsiung

(10) **Patent No.:** **US D521,576 S**

(45) **Date of Patent:** **** May 23, 2006**

(54) **SKIING AND SKATING TRAINER**

(76) Inventor: **Bob Hsiung**, 21717 Ferrero Pkwy.,
Walnut, CA (US) 91789

(**) Term: **14 Years**

(21) Appl. No.: **29/221,754**

(22) Filed: **Jan. 18, 2005**

(51) **LOC (8) Cl.** **21-02**

(52) **U.S. Cl.** **D21/668; D21/670**

(58) **Field of Classification Search** D21/662,
D21/663, 664, 666, 667, 668, 669, 670; 482/51,
482/52, 53, 54, 71, 72

See application file for complete search history.

(56) **References Cited**

U.S. PATENT DOCUMENTS

| | | | | | |
|-------------|---|--------|--------------|-------|---------|
| D325,235 S | * | 4/1992 | Wang | | D21/670 |
| 5,746,683 A | * | 5/1998 | Lee | | 482/57 |
| 5,755,643 A | * | 5/1998 | Sands et al. | | 482/57 |
| 5,782,722 A | * | 7/1998 | Sands et al. | | 482/52 |

| | | | | | |
|------------|---|---------|---------------|-------|---------|
| D397,383 S | * | 8/1998 | Sands et al. | | D21/663 |
| D401,645 S | * | 11/1998 | Kuo | | D21/668 |
| D406,289 S | * | 3/1999 | Hwang | | D21/668 |
| D407,769 S | * | 4/1999 | Sands et al. | | D21/670 |
| D458,977 S | * | 6/2002 | Tobias et al. | | D21/668 |

* cited by examiner

Primary Examiner—Philip S. Hyder

(74) *Attorney, Agent, or Firm*—Frank Frisenda

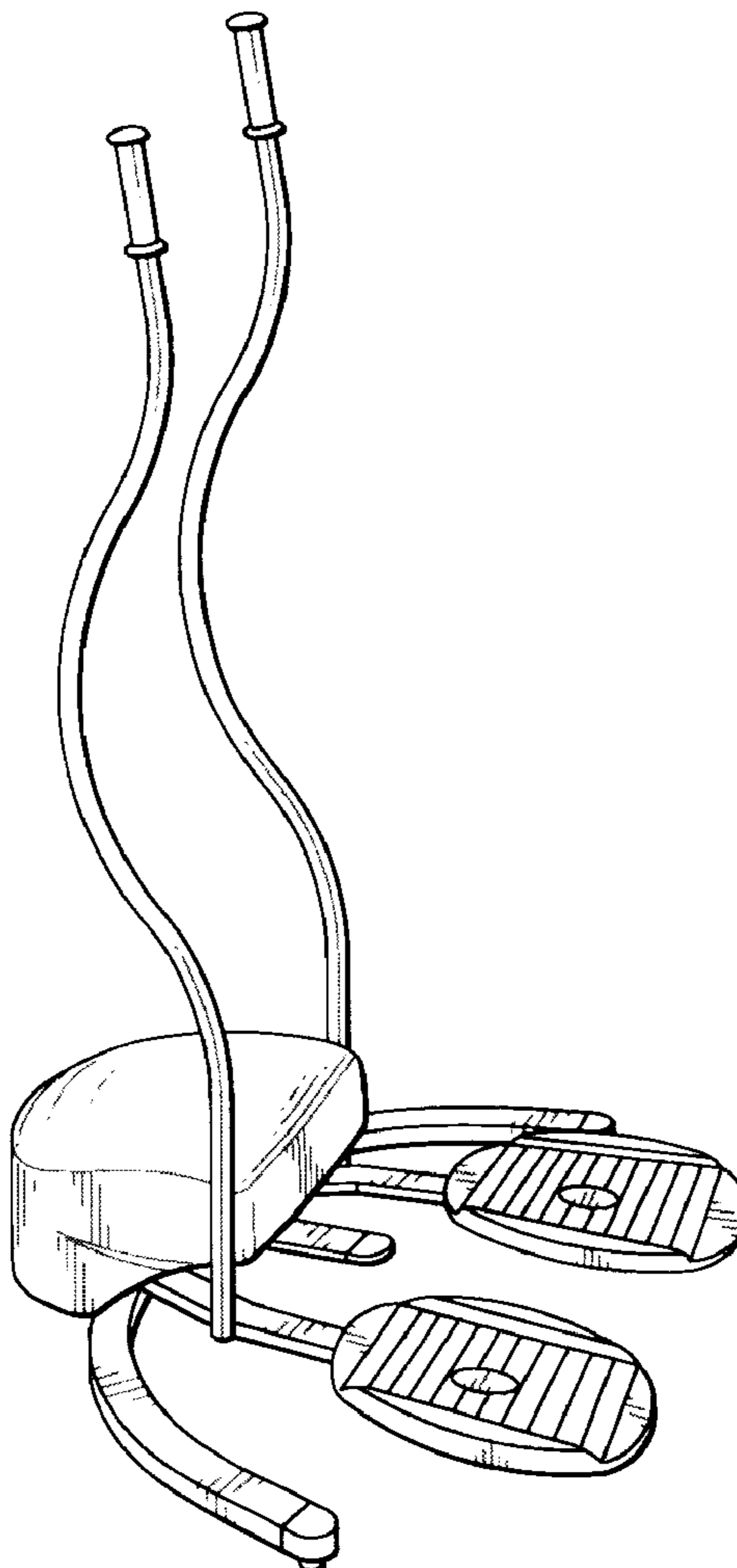
(57) **CLAIM**

The ornamental design for a skiing and skating trainer, substantially as shown and described.

DESCRIPTION

FIG. 1 is a perspective view showing my new design;
FIG. 2 is a front view thereof;
FIG. 3 is a back view thereof;
FIG. 4 is a side view thereof;
FIG. 5 is a top view thereof; and,
FIG. 6 is a bottom view thereof.

1 Claim, 3 Drawing Sheets



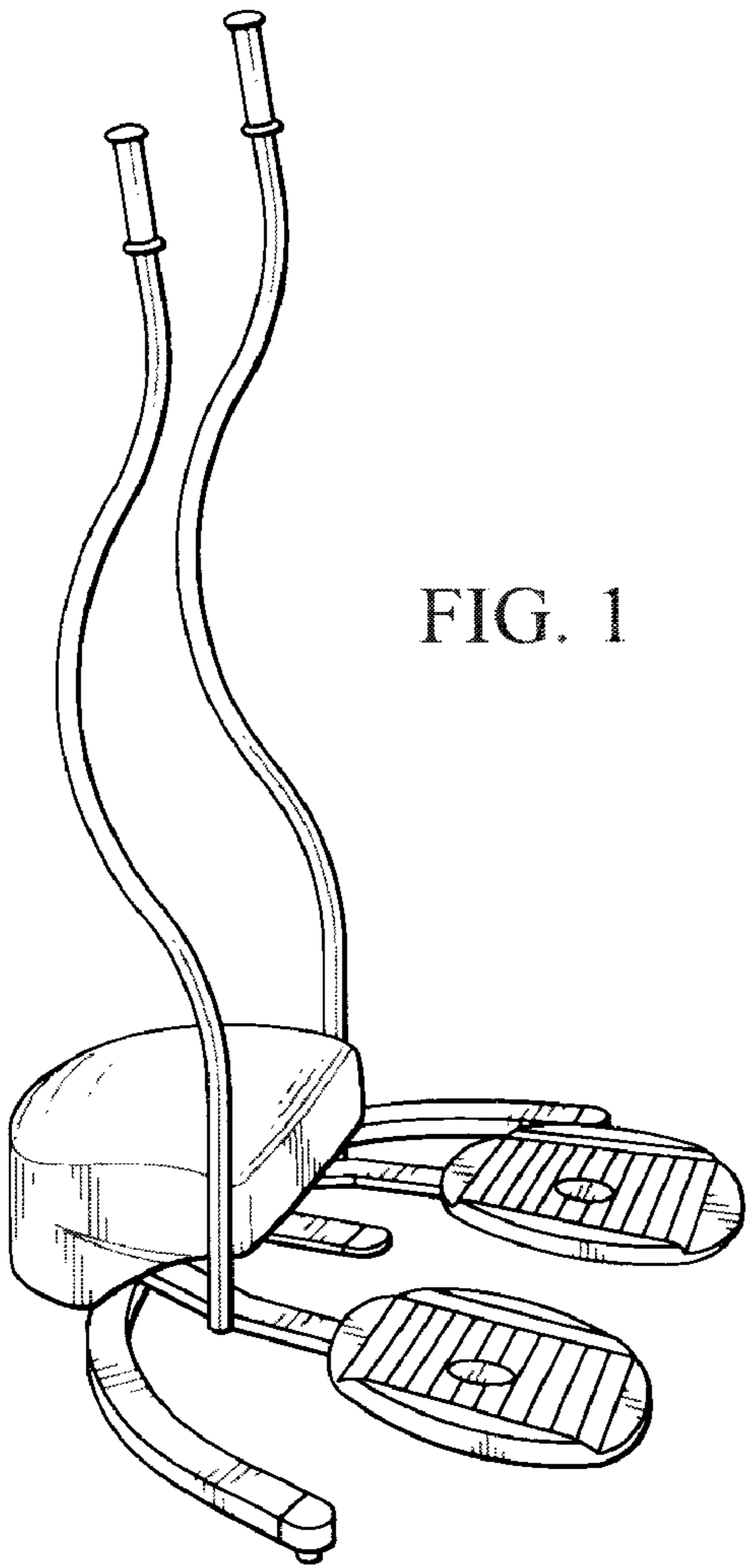


FIG. 1

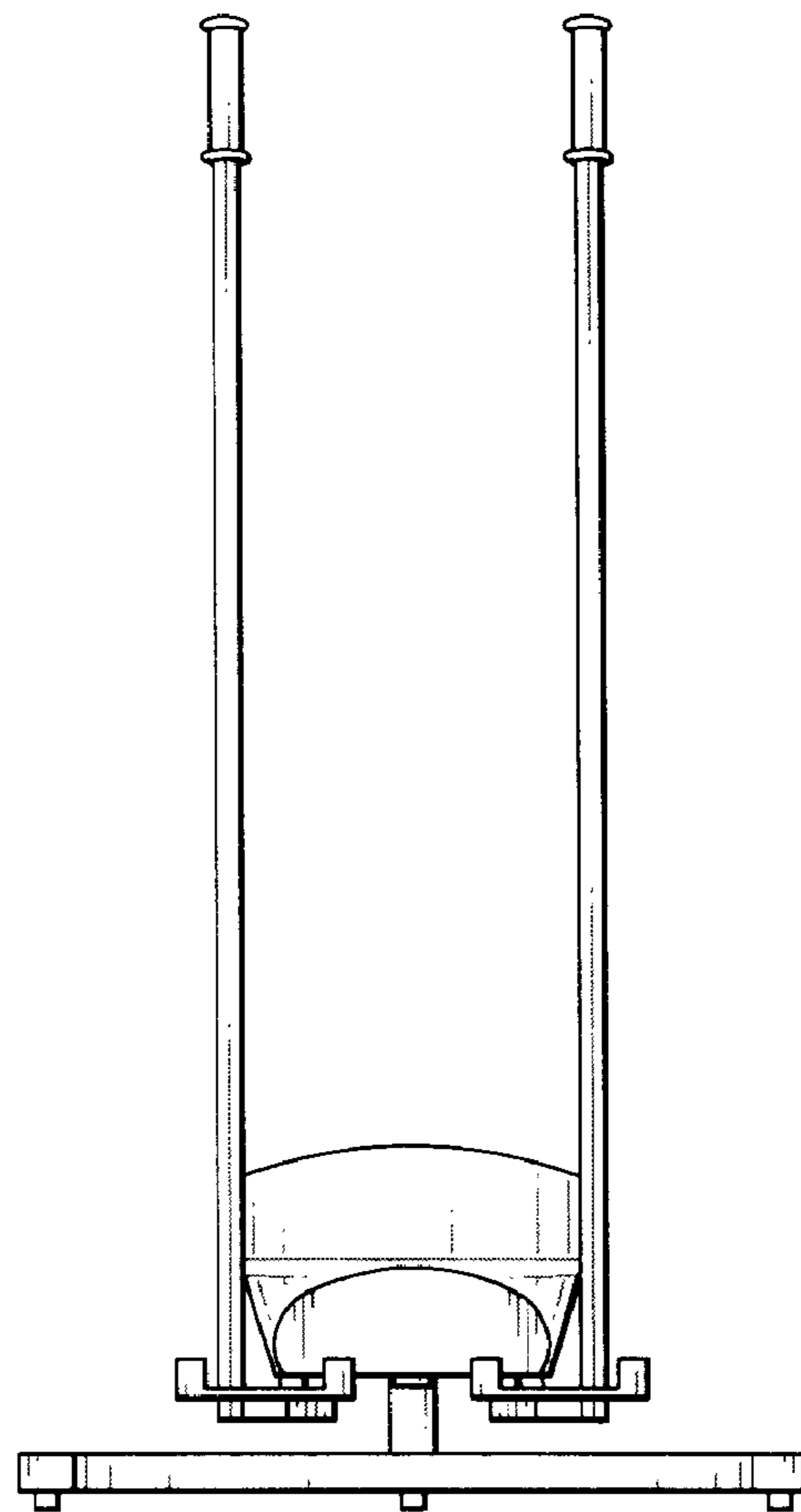


FIG. 2

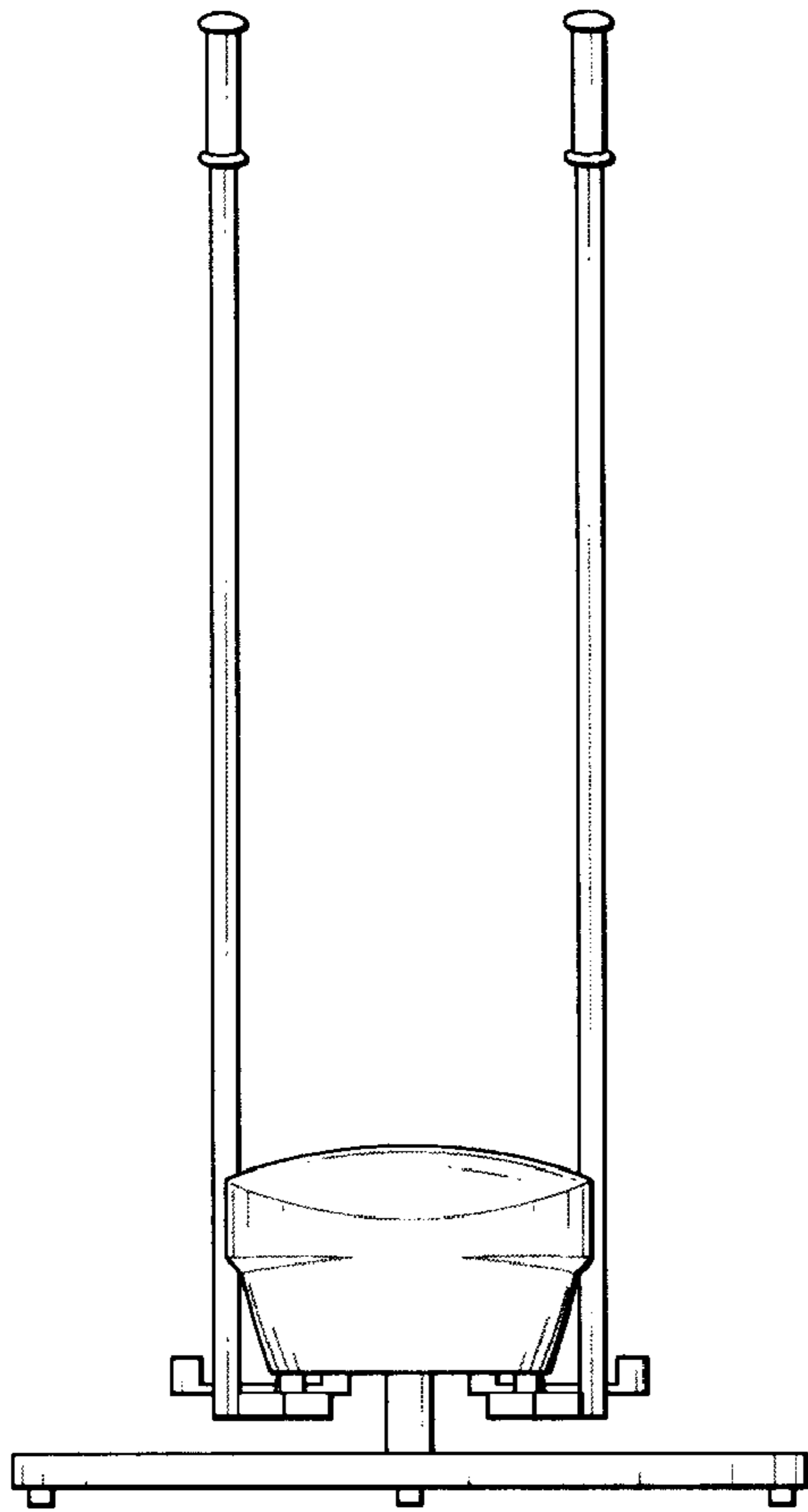


FIG. 3

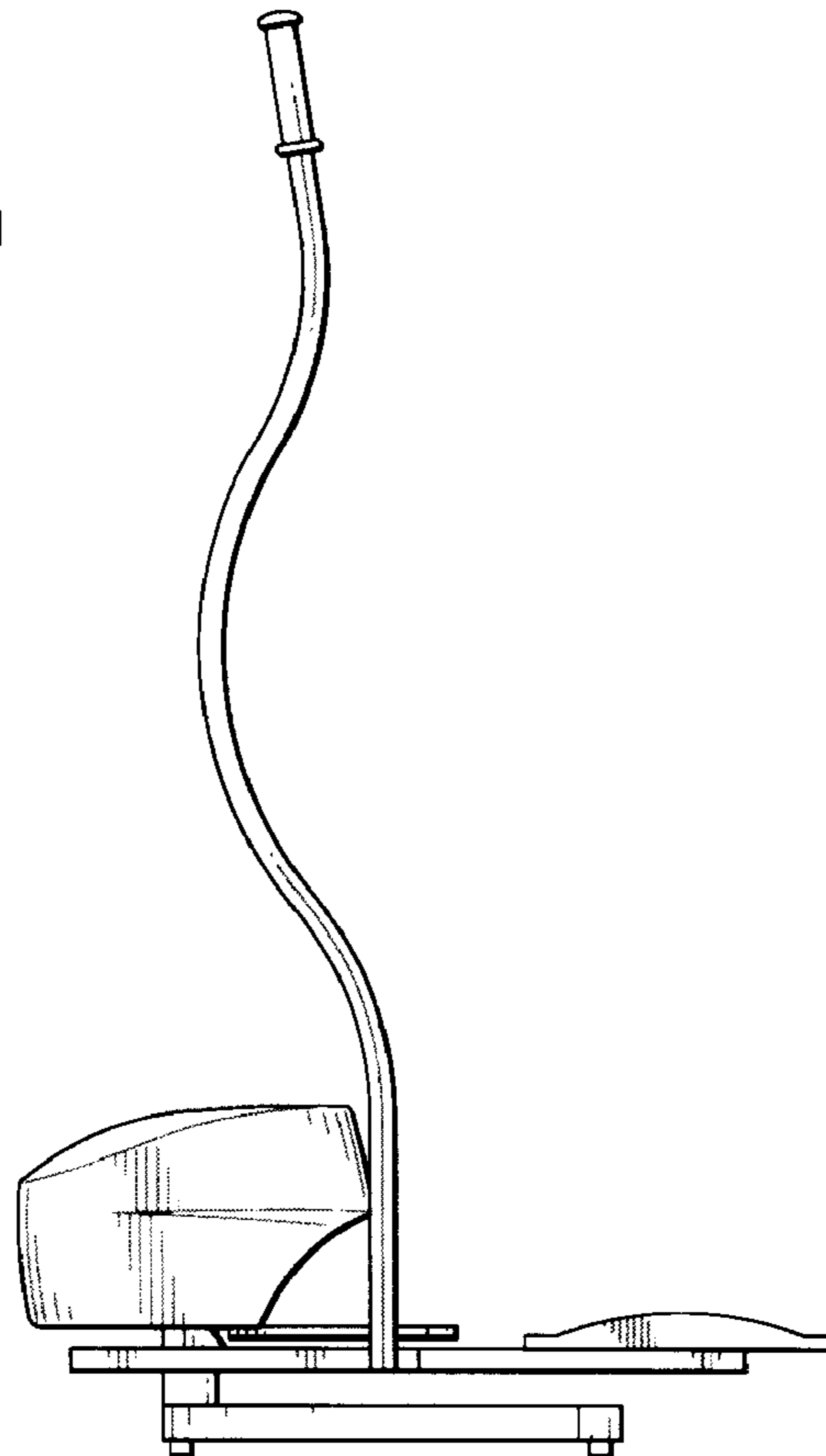


FIG. 4

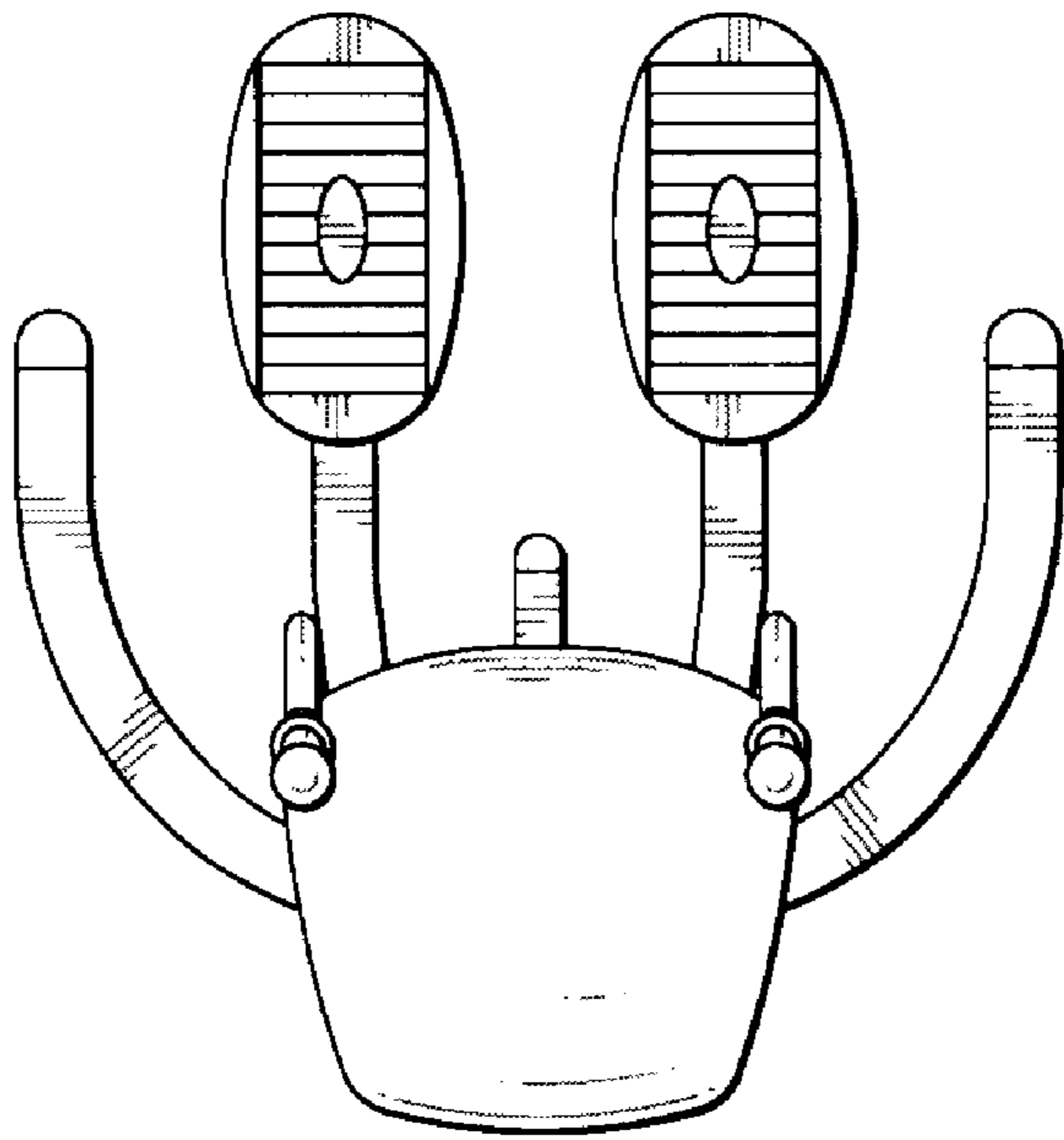


FIG. 5

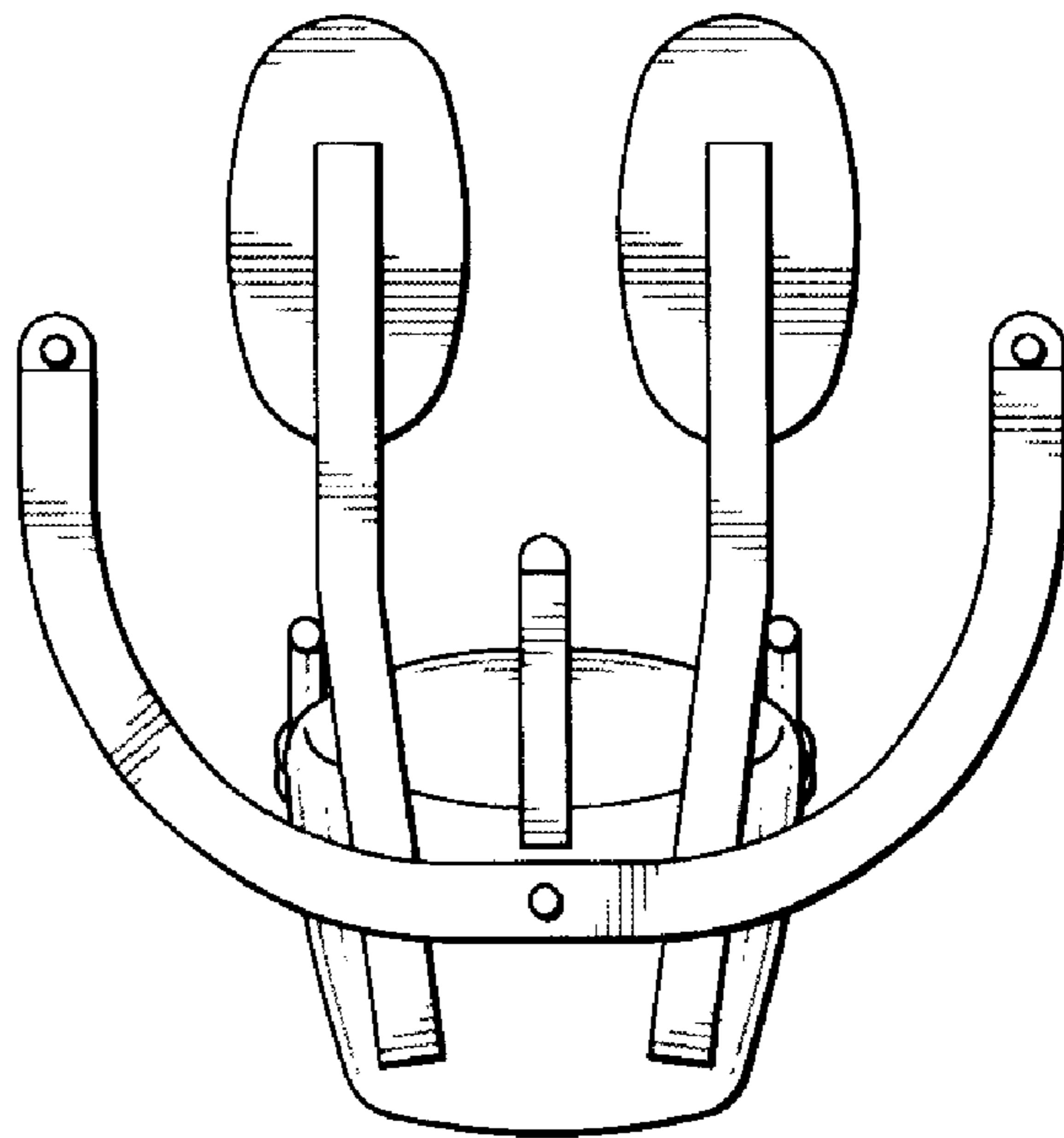


FIG. 6