

US00D521573S

(12) **United States Design Patent** (10) **Patent No.:** **US D521,573 S**  
**Jinno et al.** (45) **Date of Patent:** **\*\* May 23, 2006**

(54) **RADIO REMOTE CONTROL UNIT**

(75) Inventors: **Eiji Jinno**, Mobara (JP); **Noriaki Morita**, Mobara (JP)

(73) Assignee: **Futaba Corporation**, Chiba-ken (JP)

(\*\*) Term: **14 Years**

(21) Appl. No.: **29/201,987**

(22) Filed: **Mar. 24, 2004**

(30) **Foreign Application Priority Data**

Oct. 8, 2003 (JP) ..... 2003-033797

(51) **LOC (8) Cl.** ..... **21-01**

(52) **U.S. Cl.** ..... **D21/566**

(58) **Field of Classification Search** ..... D21/266,  
D21/324, 331, 333; D14/400, 401, 217, 218;  
446/454-456; 463/6, 7, 37-39, 46, 47; D13/168  
See application file for complete search history.

(56) **References Cited**

**U.S. PATENT DOCUMENTS**

D283,718 S	5/1986	Kondo	
4,882,942 A	* 11/1989	Hamilton	74/104
D313,439 S	1/1991	Kohno	
D322,297 S	* 12/1991	Kohno	D21/566
5,158,495 A	10/1992	Yonezawa	
D342,297 S	* 12/1993	Kouno	D21/566
D344,553 S	* 2/1994	Arai	D21/566
5,334,076 A	* 8/1994	Shinozuka	446/456
D374,694 S	* 10/1996	Arai	D21/566
D390,613 S	2/1998	Kanetsuna et al.	

D395,472 S	* 6/1998	Kanetsuna et al.	D21/566
D397,169 S	* 8/1998	Kanetsuna et al.	D21/453
D411,265 S	6/1999	Kanetsuna et al.	
D447,778 S	* 9/2001	Bao	D21/566
D449,347 S	* 10/2001	Christianson	D21/329
D471,603 S	* 3/2003	Morita et al.	D21/566
6,620,022 B1	* 9/2003	Smith et al.	446/454
D481,080 S	10/2003	Arai et al.	

\* cited by examiner

*Primary Examiner*—Holly Baynham

*Assistant Examiner*—Cynthia M. Chin

(74) *Attorney, Agent, or Firm*—Quarles & Brady LLP

(57) **CLAIM**

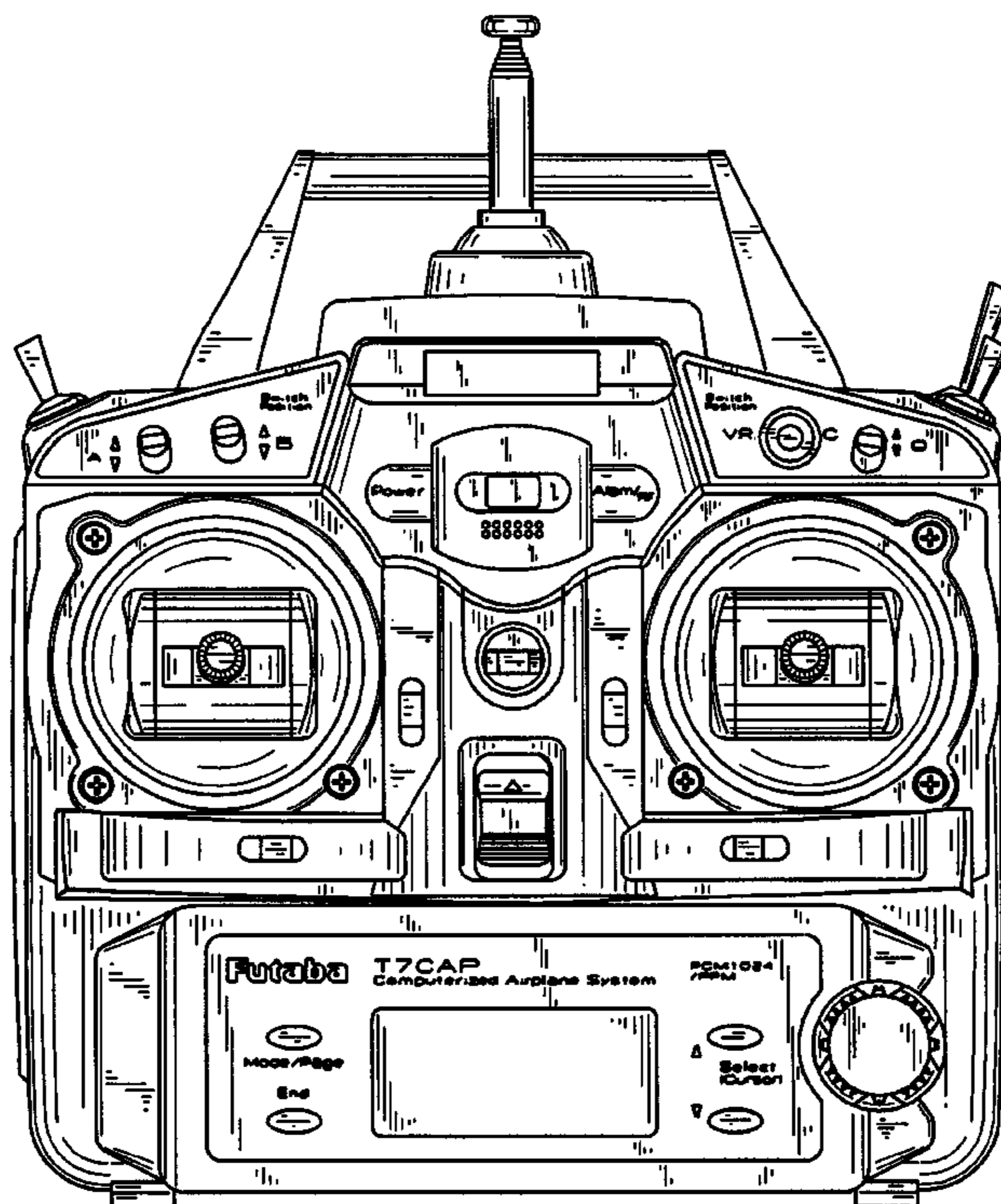
We claim the ornamental design for a radio remote control unit, as shown and described.

**DESCRIPTION**

FIG. 1 is a front elevational view of a radio remote control unit showing our new design;  
 FIG. 2 is a rear elevational view thereof;  
 FIG. 3 is a right side elevational view thereof;  
 FIG. 4 is a left side elevational view thereof;  
 FIG. 5 is a top plan view thereof;  
 FIG. 6 is a bottom plan view thereof;  
 FIG. 7 is a reduced front side perspective view thereof;  
 FIG. 8 is a reduced rear side perspective view thereof; and,  
 FIG. 9 is a reduced perspective view thereof in which the antenna thereof is extended.

The word "Futaba" forming part of the claimed design is a registered trademark owned by Futaba Denshi Kogyo Kabushiki Kaisha Corporation of Japan.

**1 Claim, 9 Drawing Sheets**



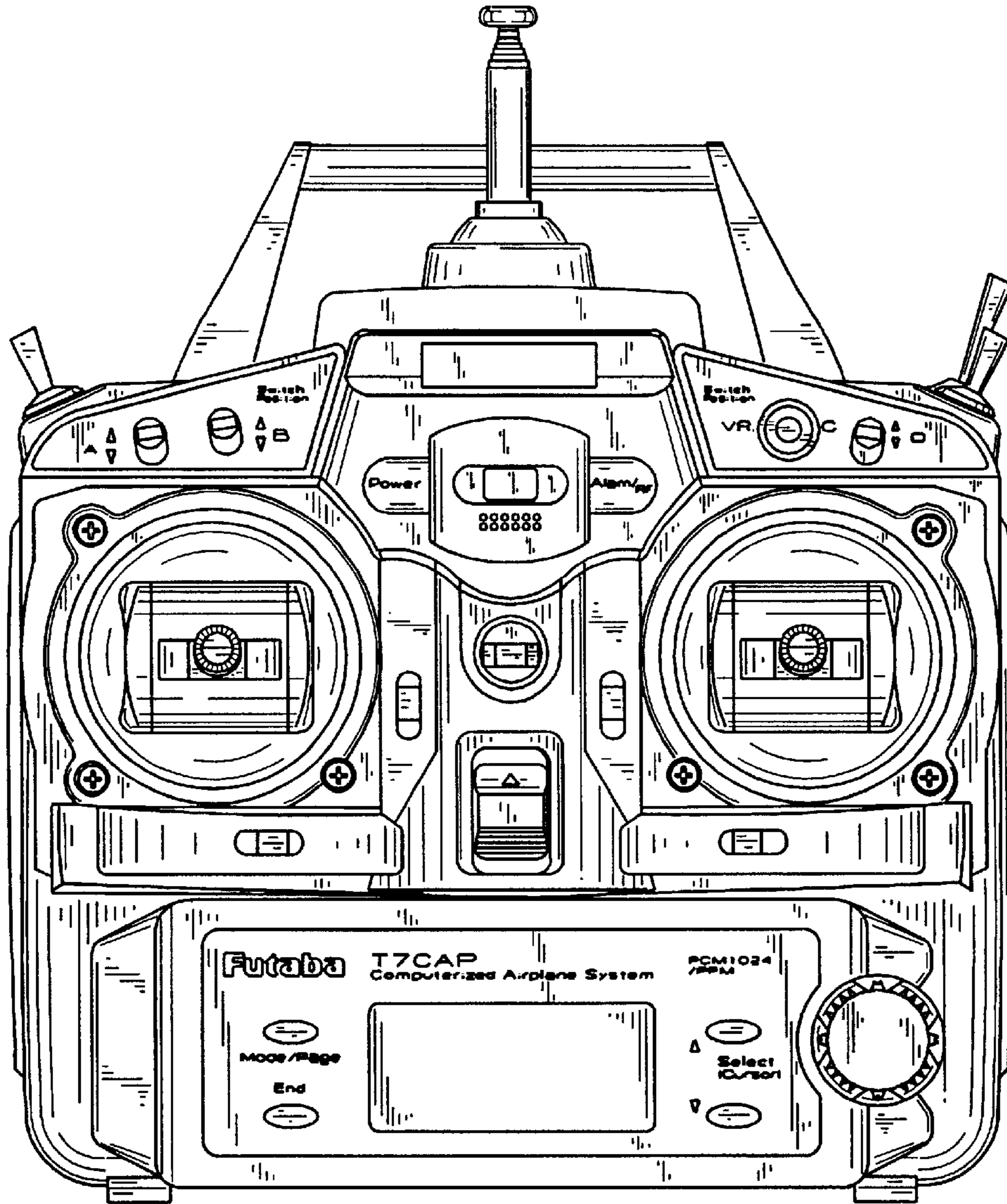


FIG. 1

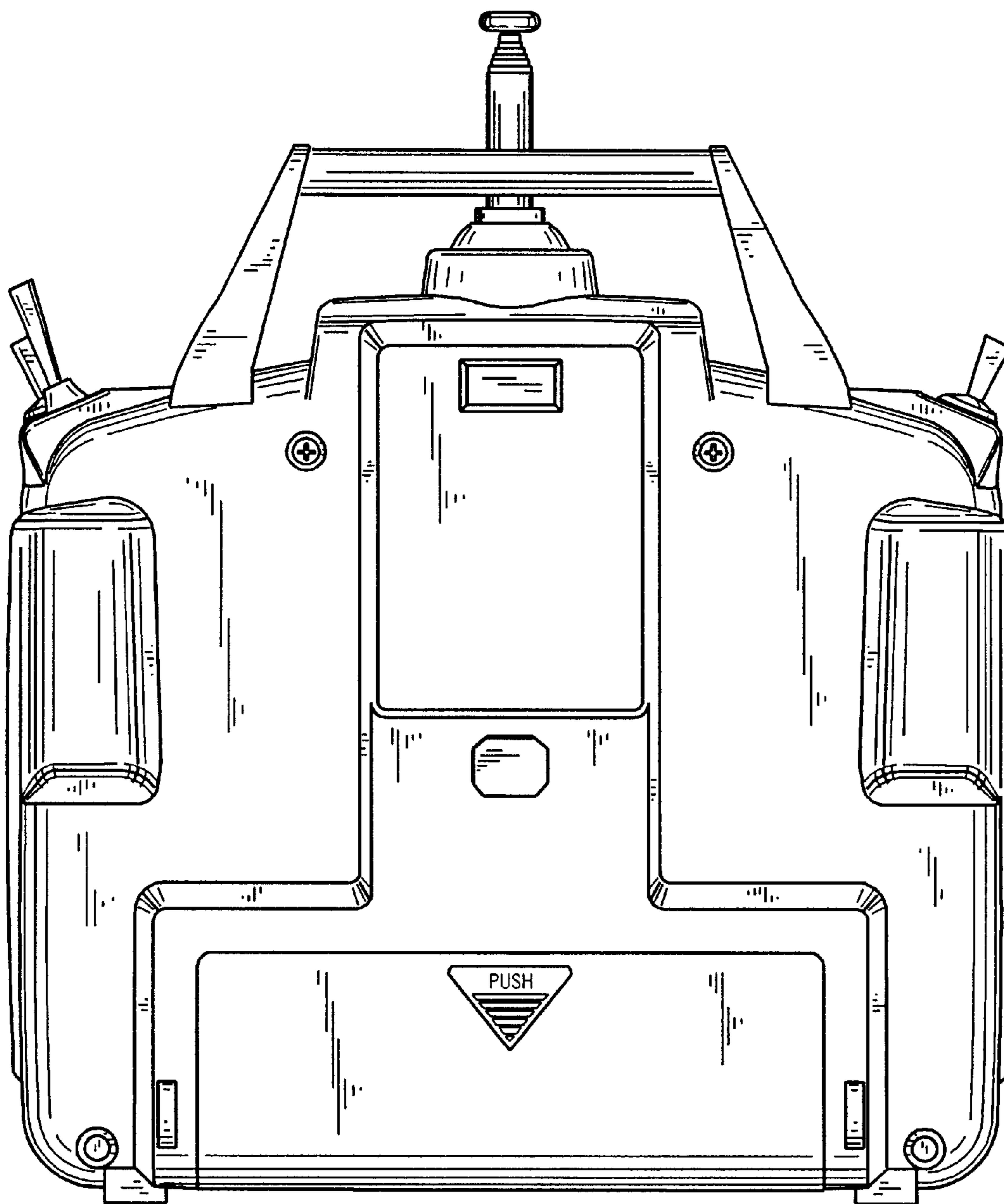


FIG. 2

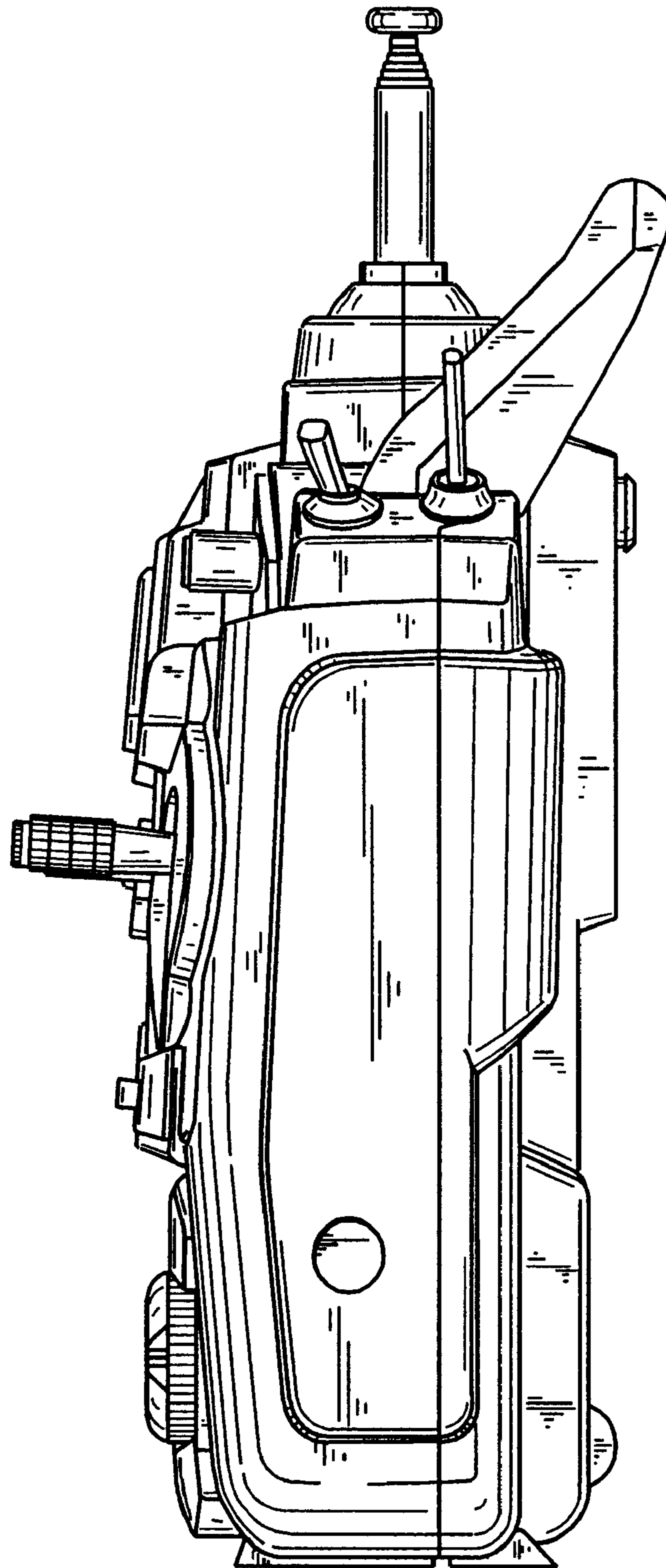


FIG. 3

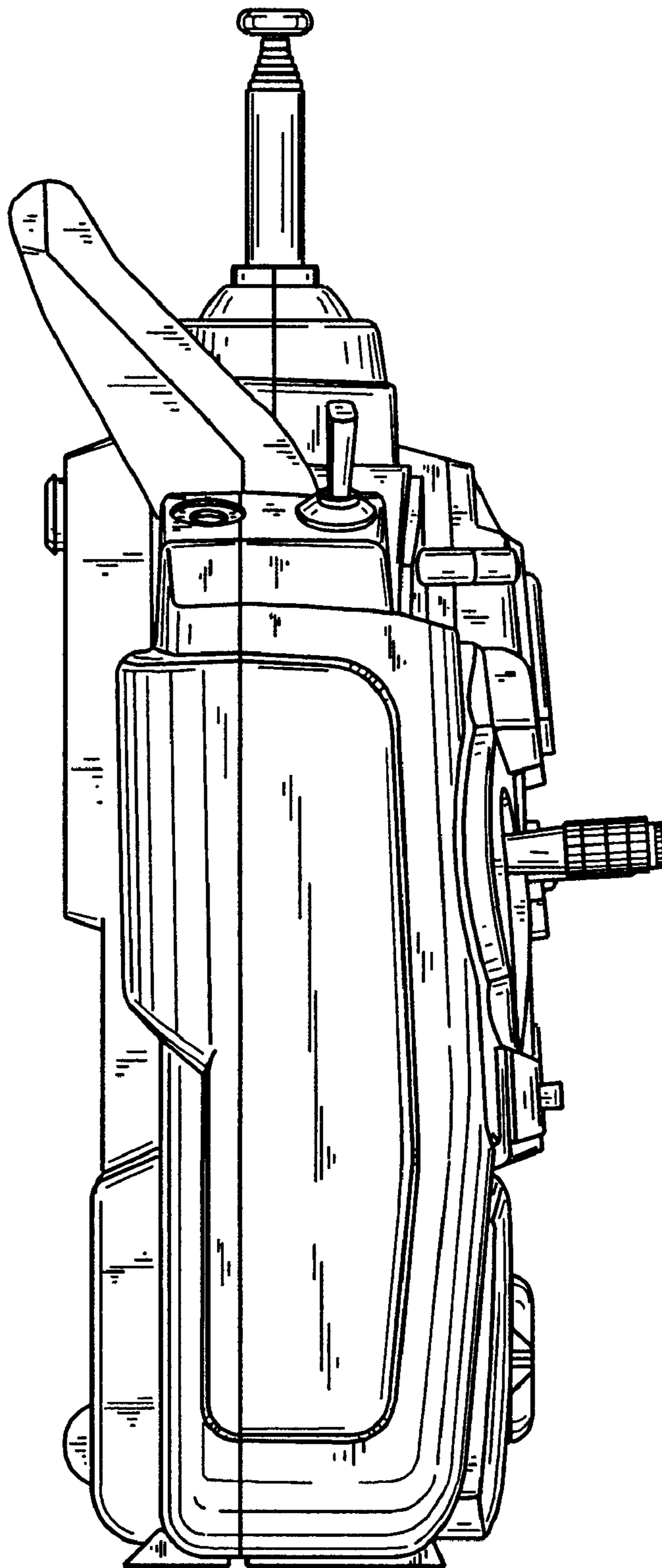


FIG. 4

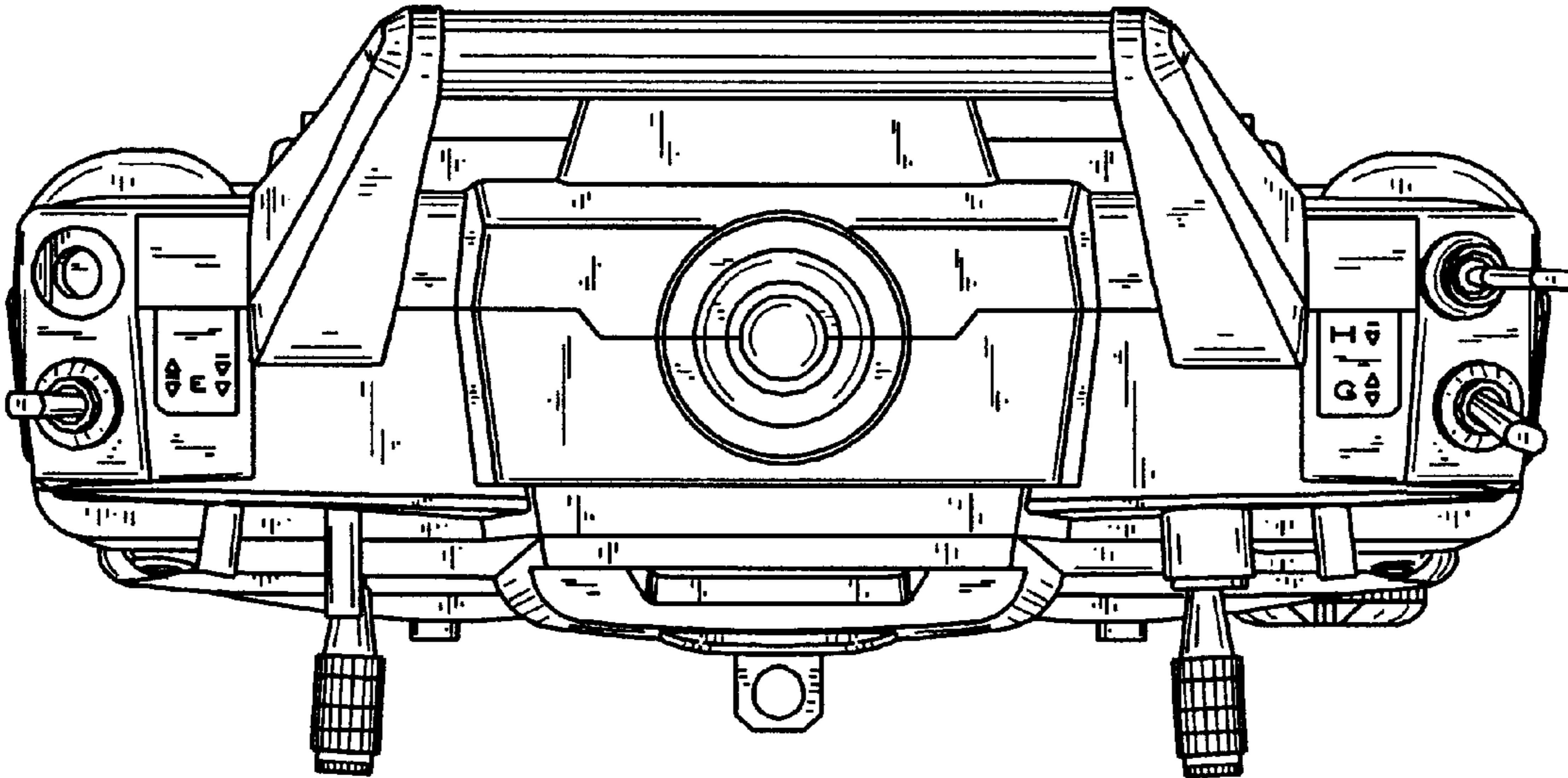


FIG. 5

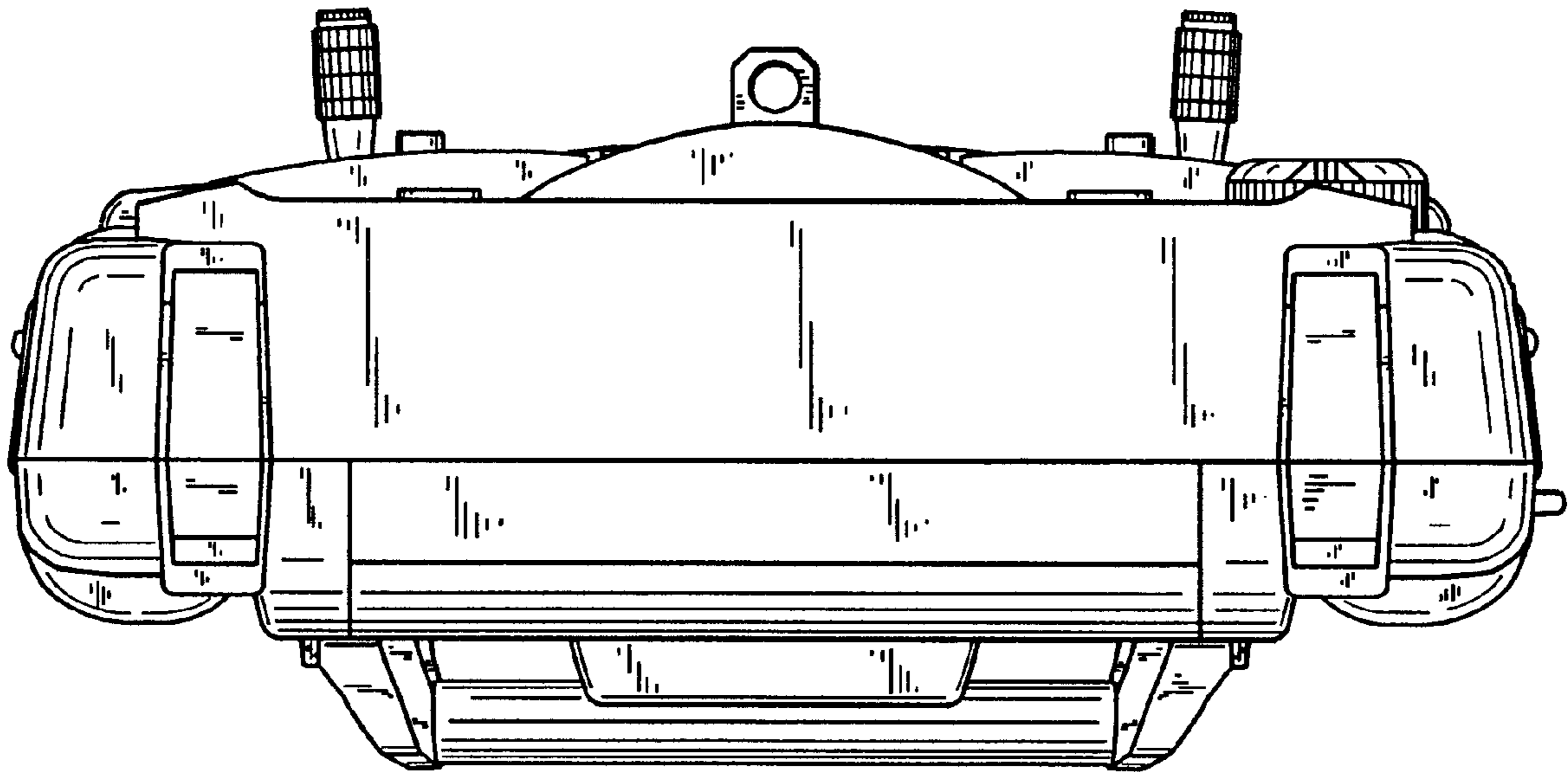


FIG. 6

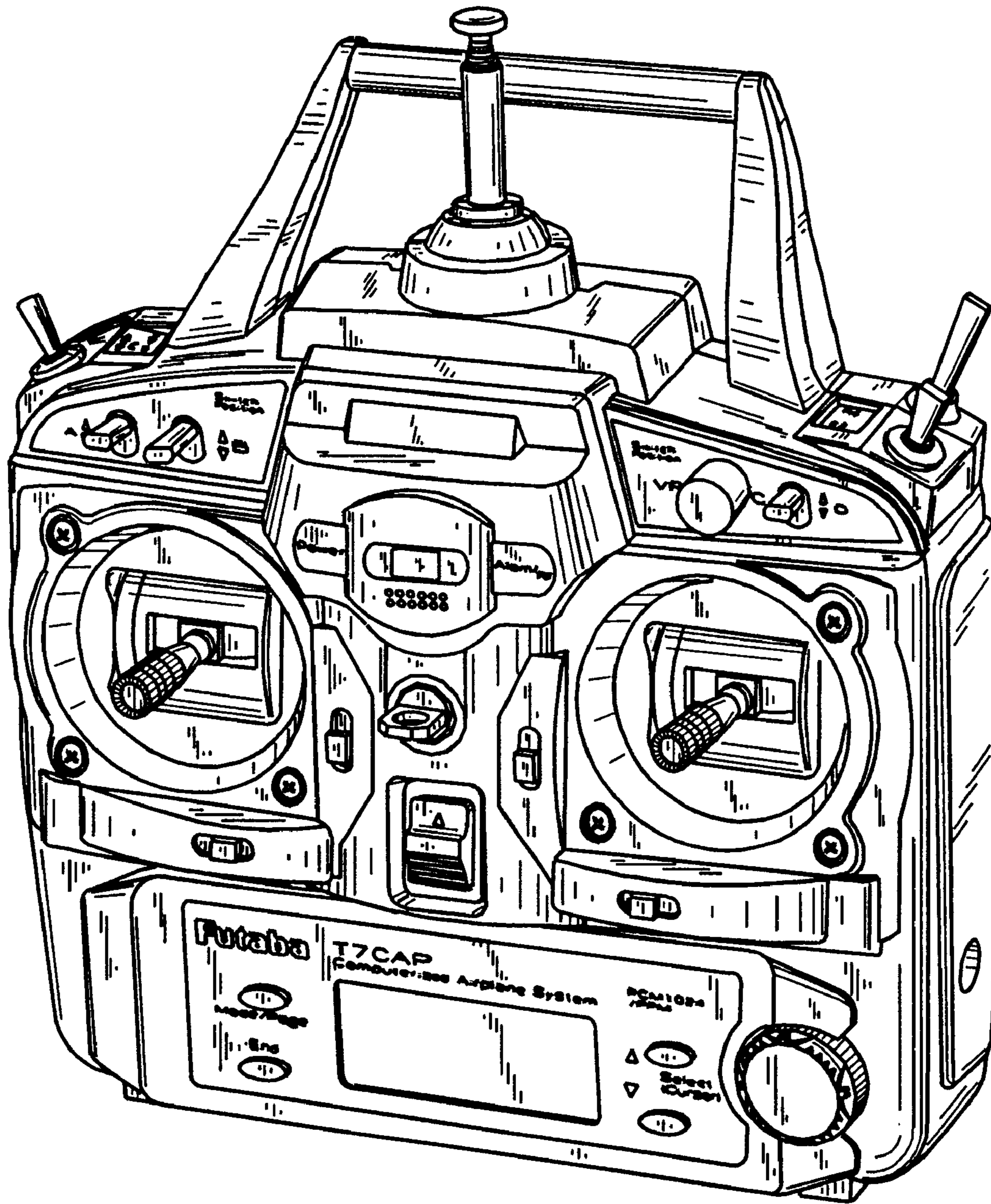


FIG. 7



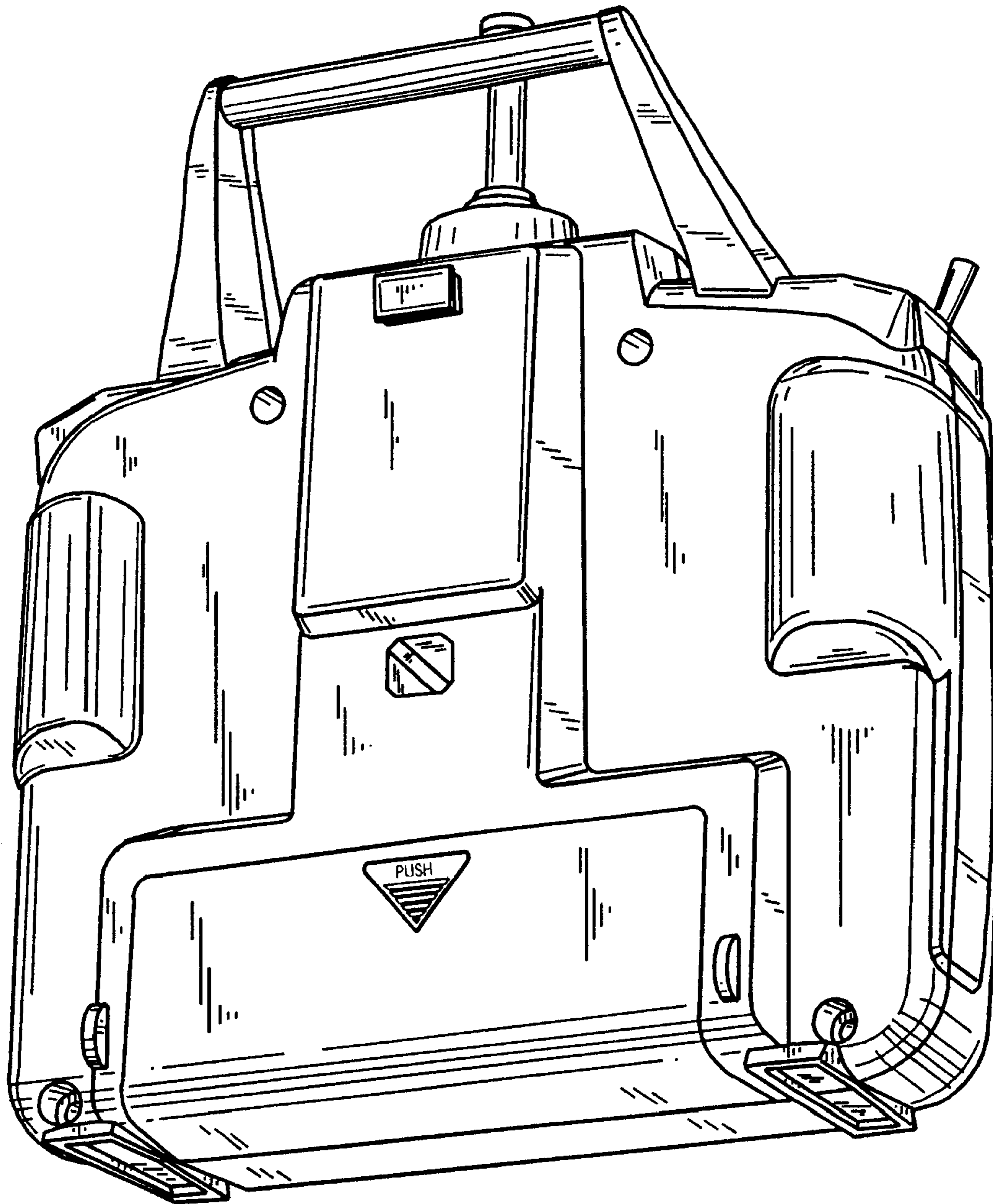


FIG. 8

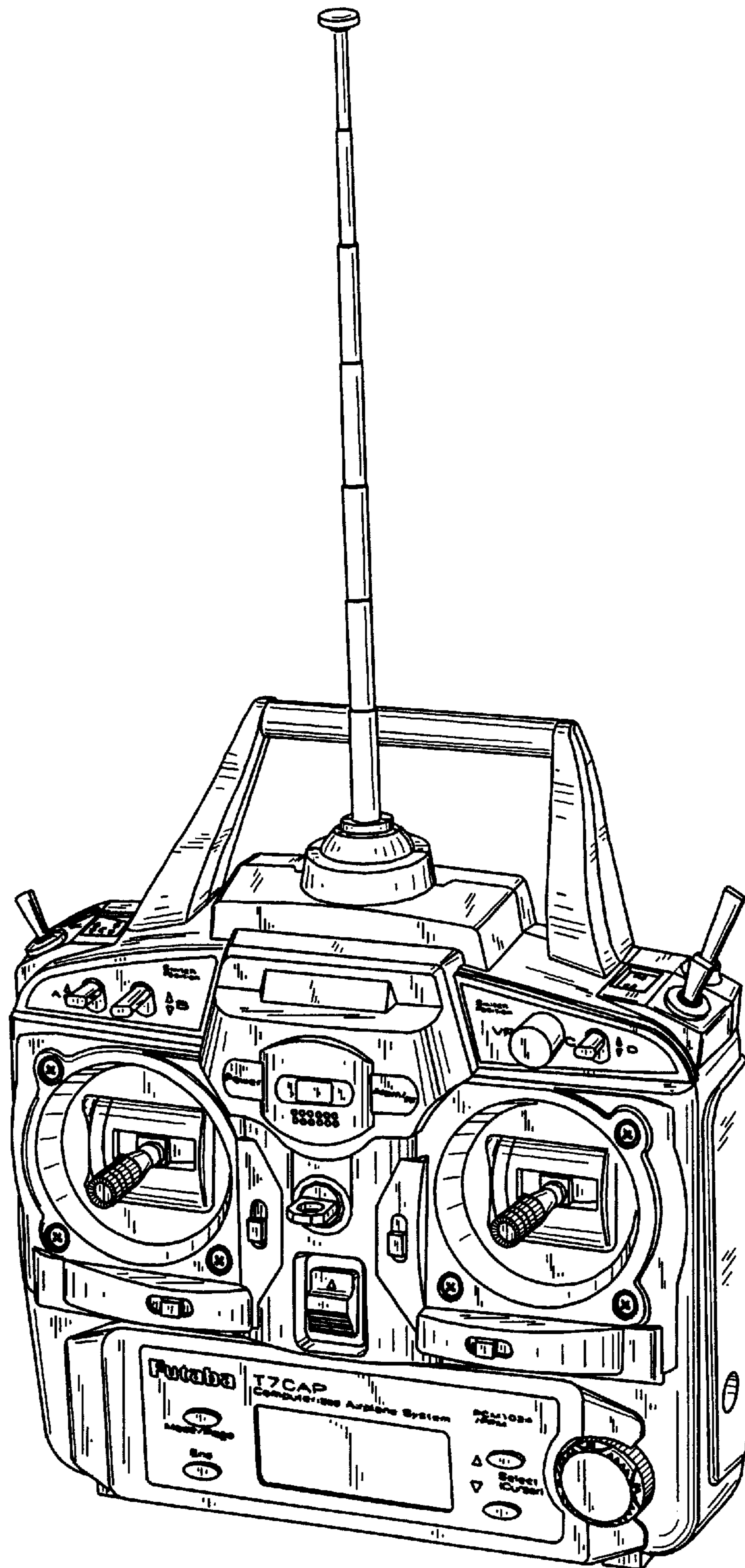


FIG. 9