



US00D521570S

(12) **United States Design Patent**
Tsai

(10) **Patent No.:** **US D521,570 S**

(45) **Date of Patent:** **** May 23, 2006**

(54) **FOLDABLE CASINO TABLE**

(76) **Inventor:** **Peter Tsai**, 9F., No. 196, Minsheng Rd.,
Hsinchu City (TW)

(**) **Term:** **14 Years**

(21) **Appl. No.:** **29/216,612**

(22) **Filed:** **Nov. 5, 2004**

(51) **LOC (8) Cl.** **21-01**

(52) **U.S. Cl.** **D21/397; D21/369; D6/429**

(58) **Field of Classification Search** D6/429;
D21/334-369, 371-375, 385, 396-397, 783;
108/36, 127, 129; 273/236-285, 292, 309,
273/148 R

See application file for complete search history.

D281,178 S * 10/1985 Brockenshire D21/397
D402,331 S * 12/1998 Serowik et al. D21/369
5,934,998 A * 8/1999 Forte et al. 273/292
D468,776 S * 1/2003 Oliver et al. D21/397

OTHER PUBLICATIONS

Feb.-May 2003 Preferred Living from Sporty's Catalog. p.
12, Solid oak folding poker table.*
www.unclesgames.com. Double sided casino and domino
table, added to catalog Jul. 28, 2004.*

* cited by examiner

Primary Examiner—Sandra L. Morris

(57) **CLAIM**

The ornamental design for foldable casino table, as shown
and described.

DESCRIPTION

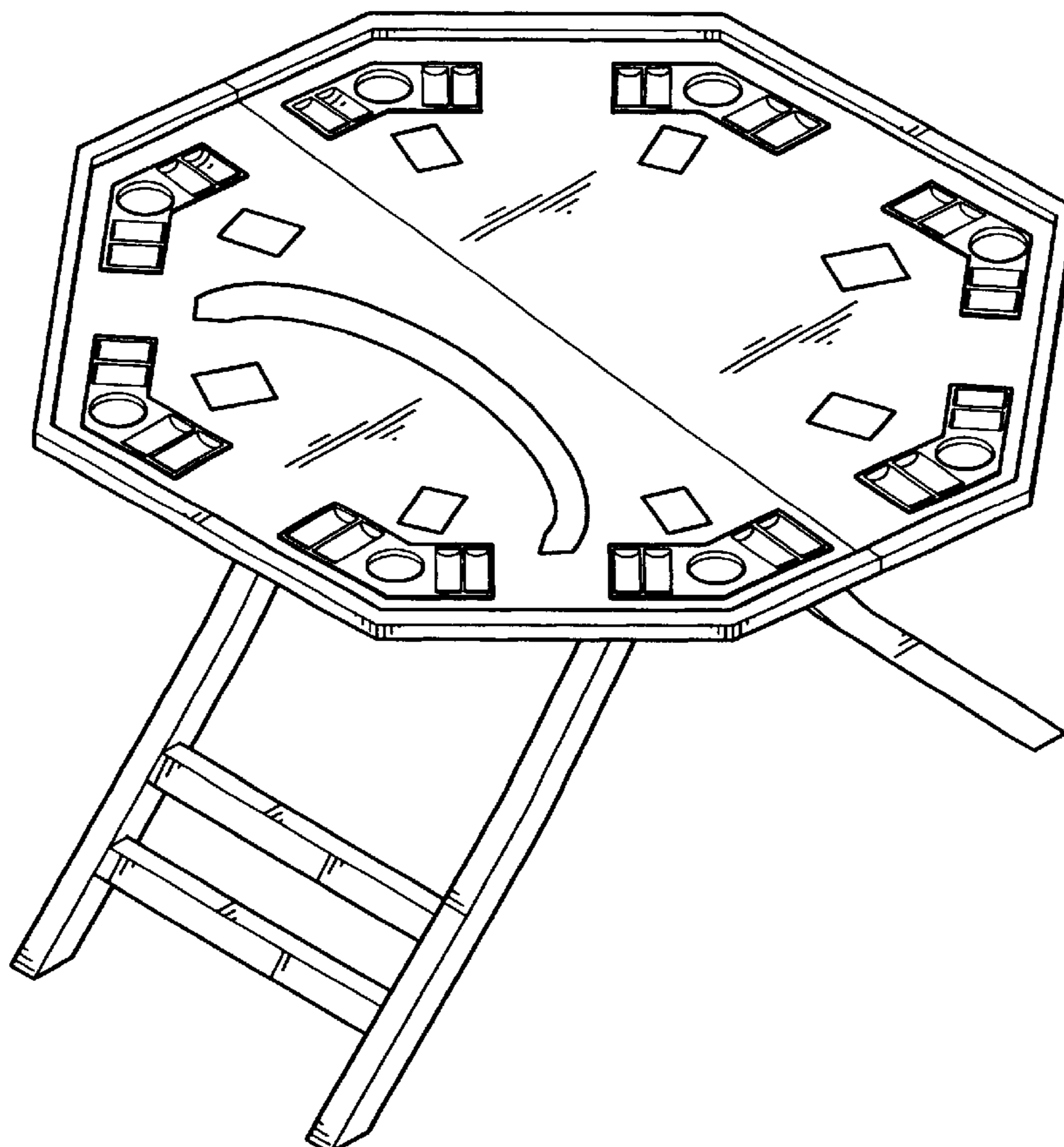
FIG. 1 is a perspective view of foldable casino table showing
my new design;
FIG. 2 is a front elevational view thereof;
FIG. 3 is a rear elevational view thereof;
FIG. 4 is a left side elevational view thereof;
FIG. 5 is right side elevational view thereof;
FIG. 6 is a top view thereof; and,
FIG. 7 is a bottom view thereof.

1 Claim, 7 Drawing Sheets

(56) **References Cited**

U.S. PATENT DOCUMENTS

2,230,684 A * 2/1941 Hawpe 108/127
D128,163 S * 7/1941 Greitzer D21/397
2,555,547 A * 6/1951 Kelleghan 273/309
2,654,647 A * 10/1953 Murray 273/309
D204,390 S * 4/1966 Bodicky D21/397
D223,765 S * 6/1972 O'Leary D21/397
D232,950 S * 9/1974 Casey D21/783
4,041,880 A * 8/1977 Schankman 273/309
D279,801 S * 7/1985 Brockenshire D21/397



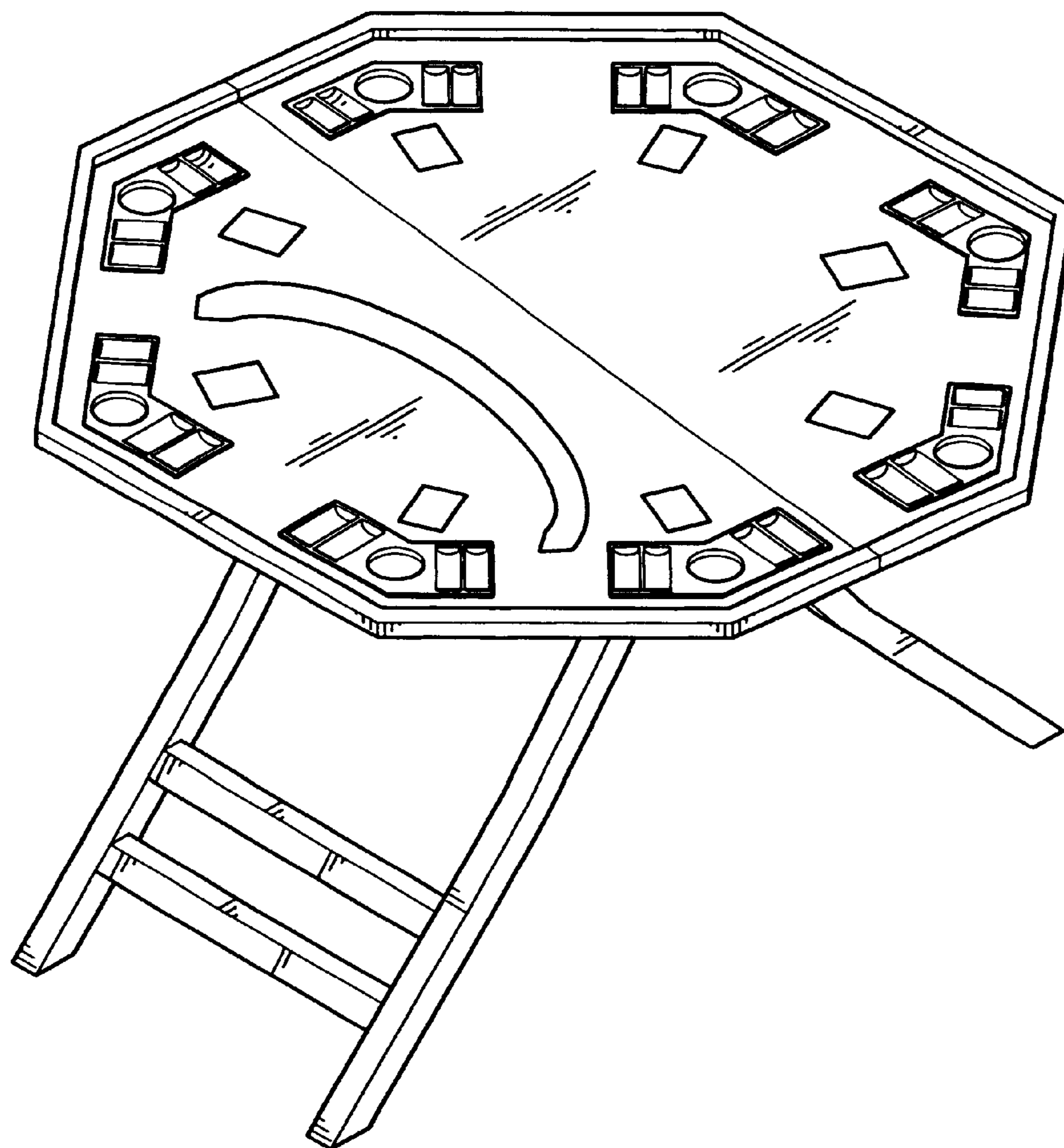


FIG. 1

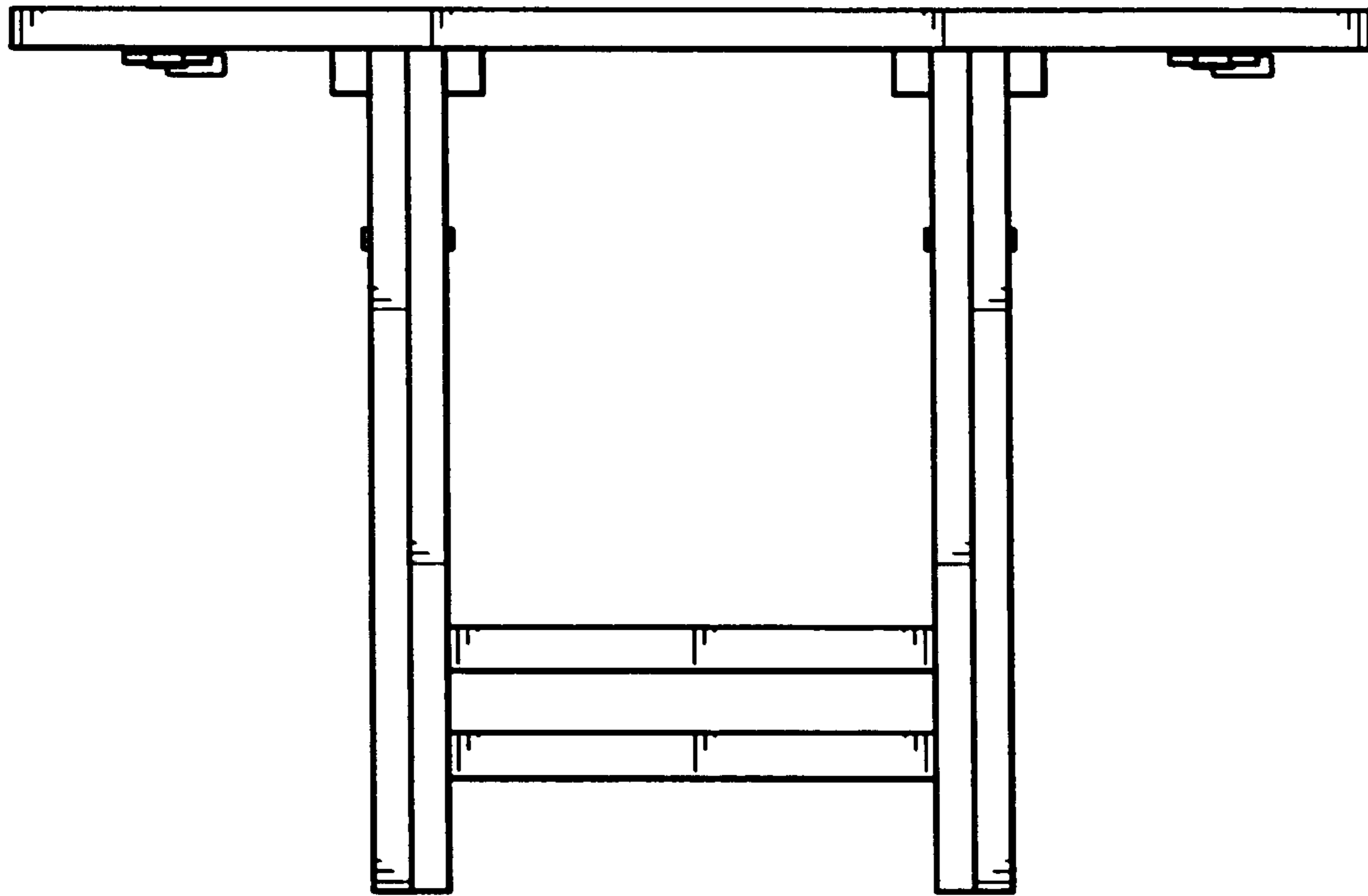


FIG. 2

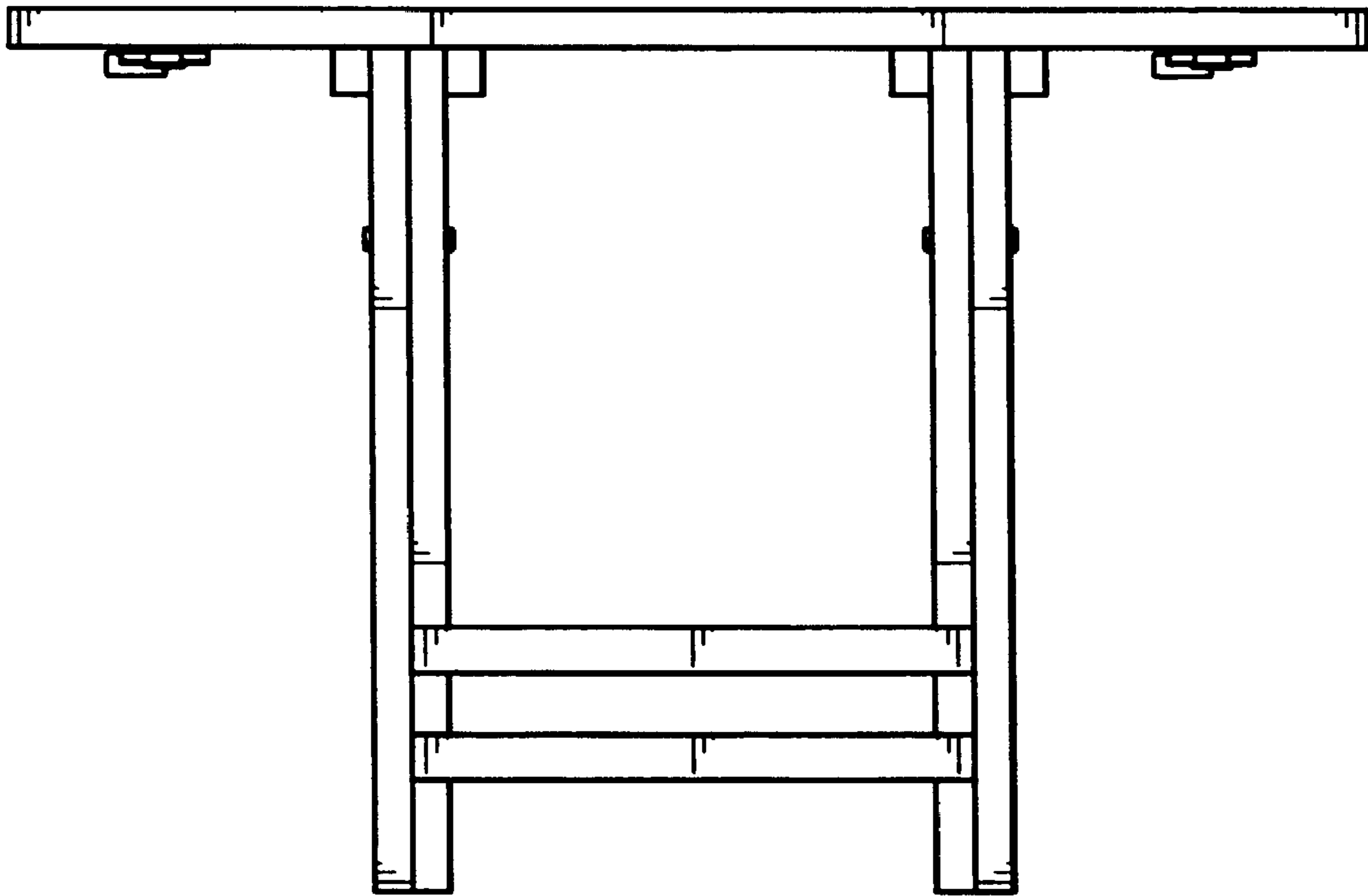


FIG. 3

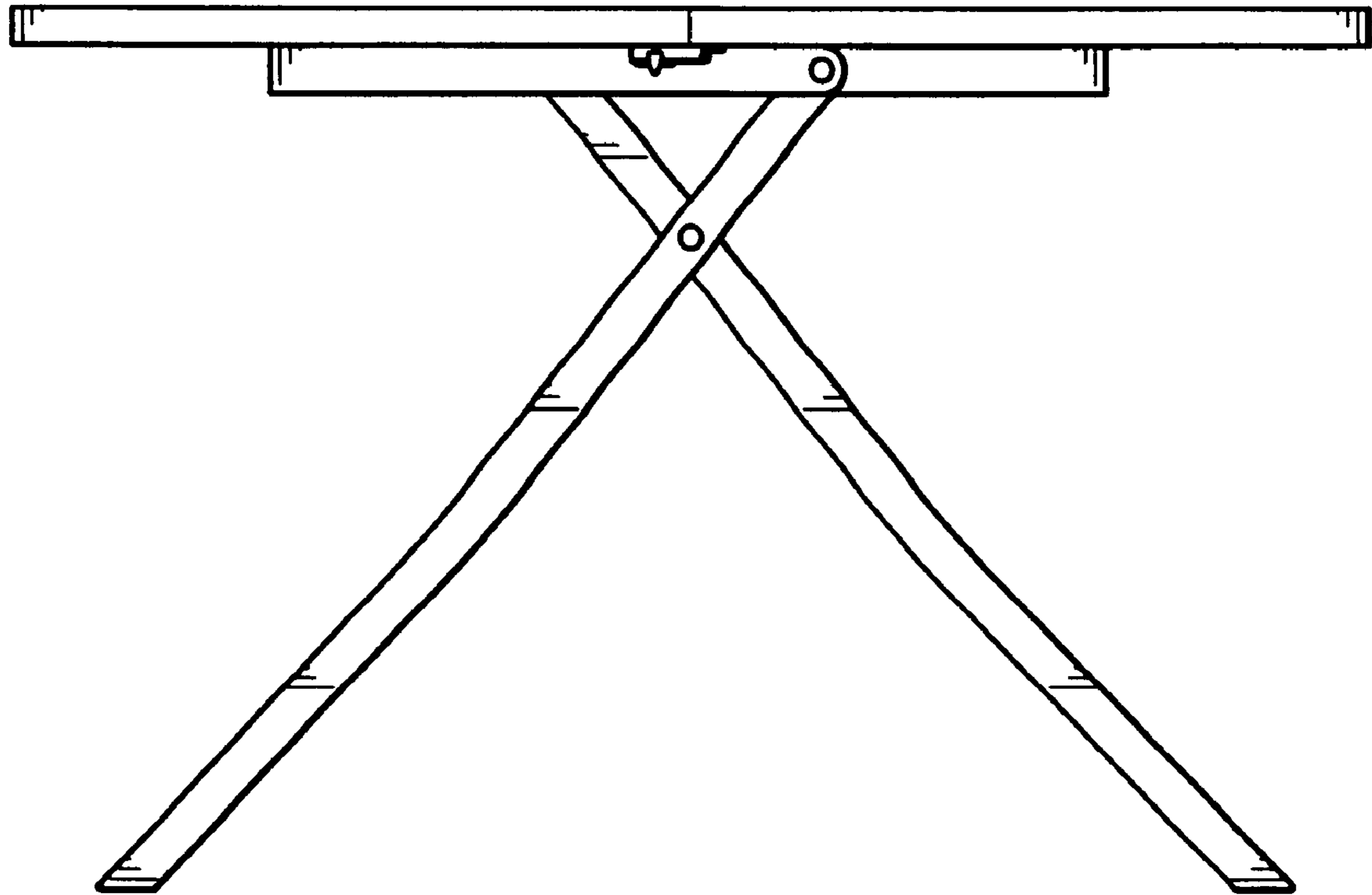


FIG. 4

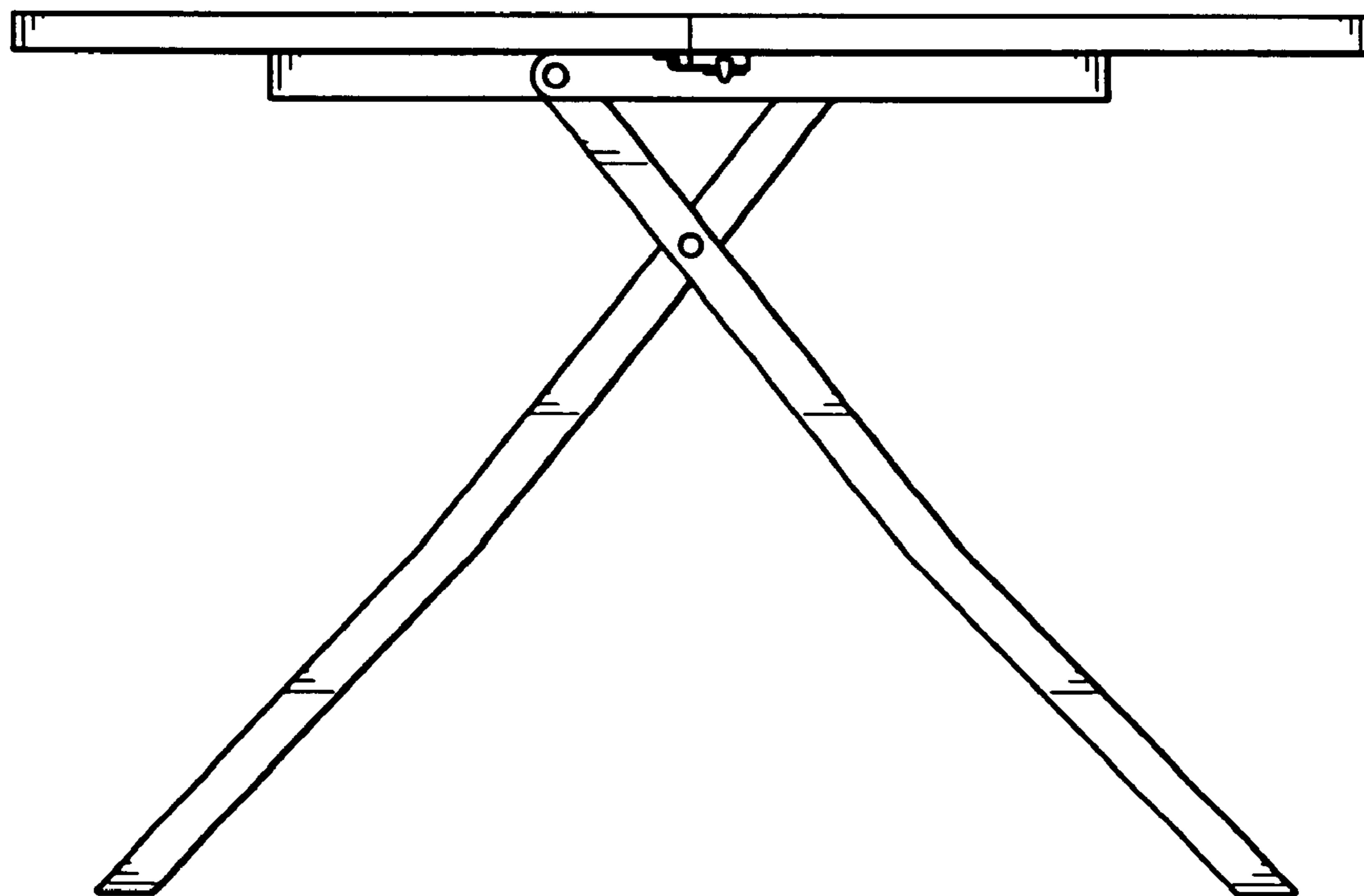


FIG. 5

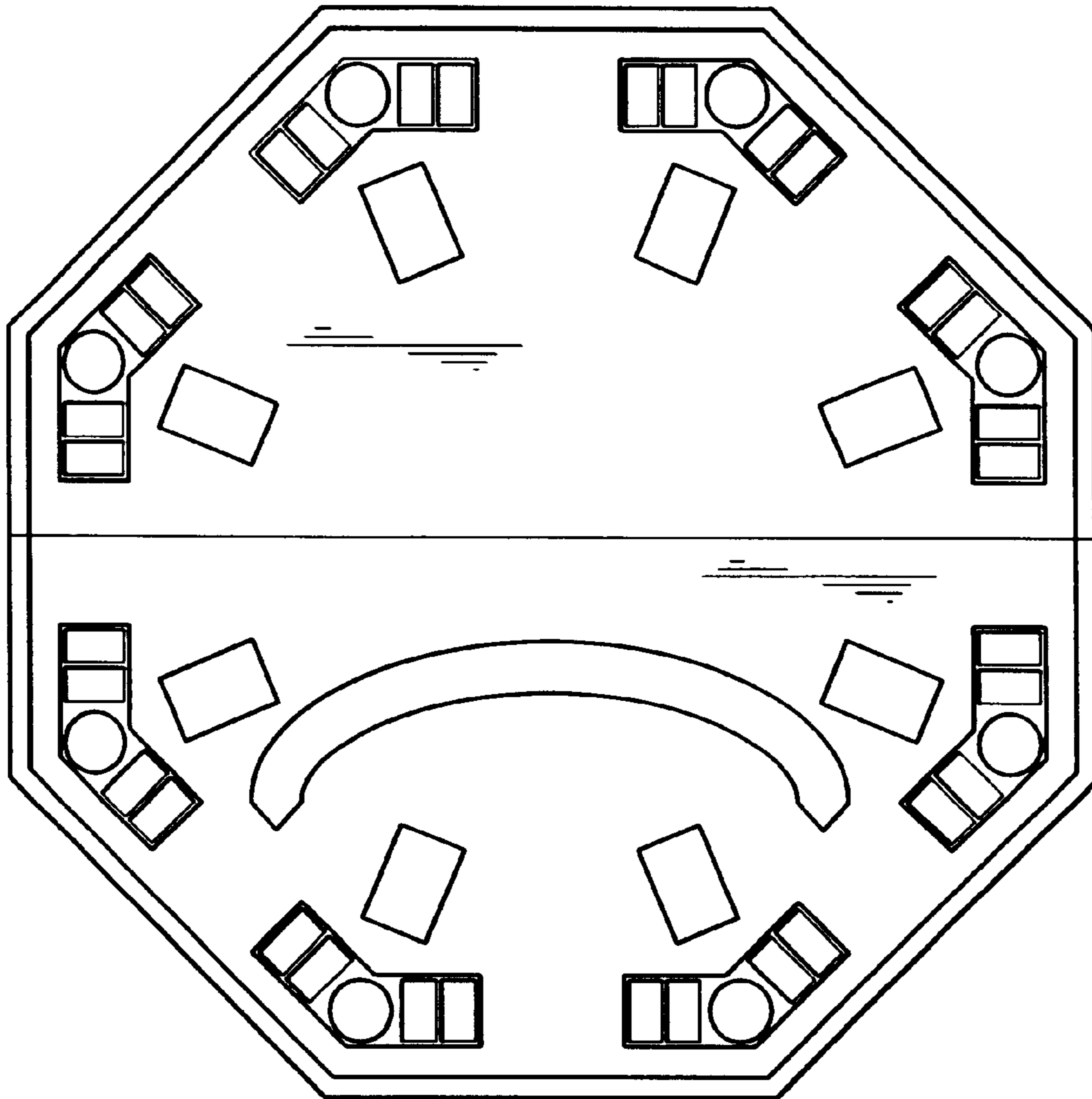


FIG. 6

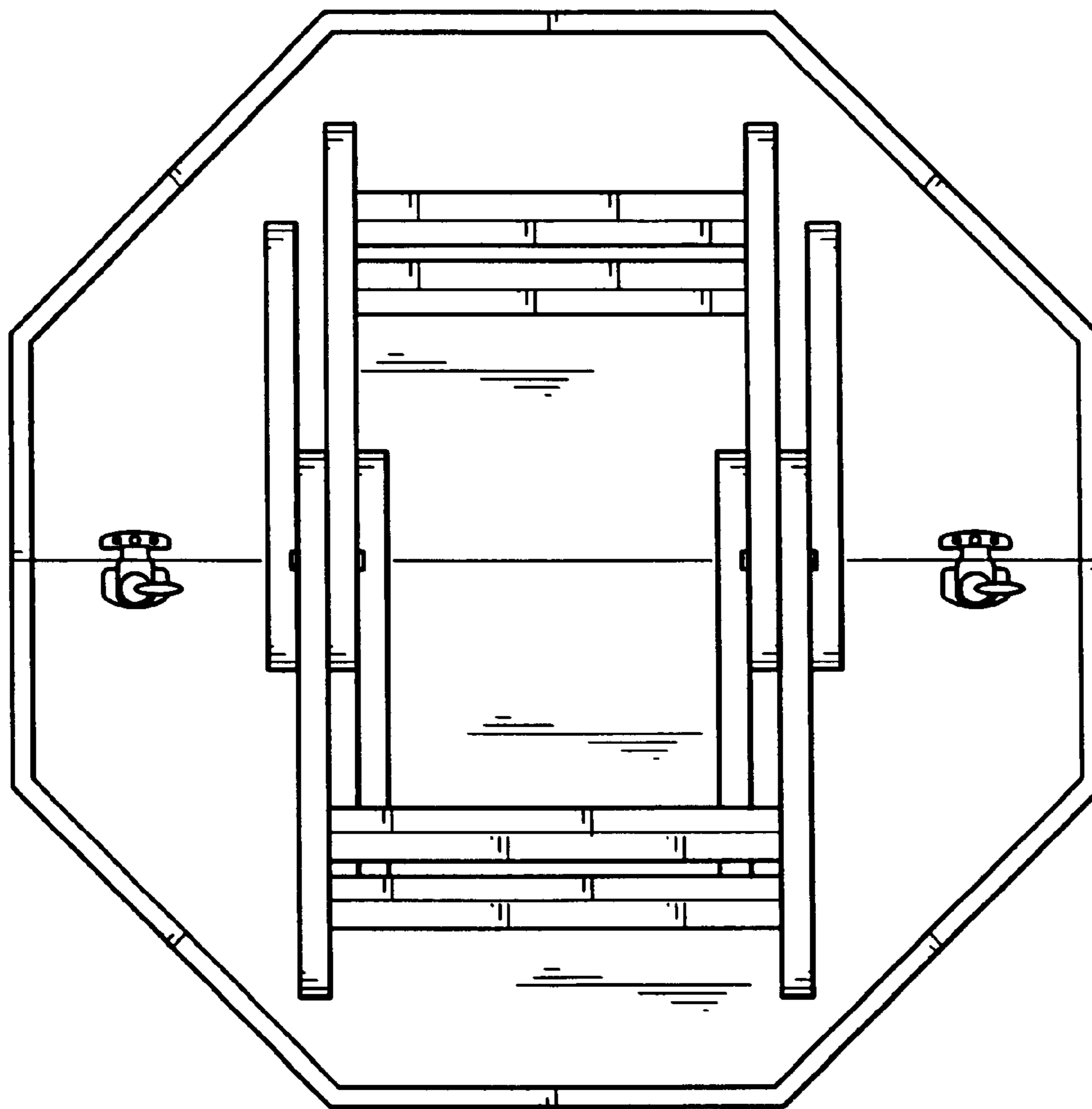


FIG. 7