



US00D521567S

(12) **United States Design Patent**  
**Svendsen et al.**

(10) **Patent No.:** **US D521,567 S**

(45) **Date of Patent:** **\*\* May 23, 2006**

(54) **COVER FOR A GAME CONTROLLER**

(76) Inventors: **Chris J. Svendsen**, 2612 Margo St.,  
Bellevue, NE (US) 68147; **James E.  
Walker**, 106 Fenwick Cir., Papillion,  
NE (US) 68046

(\*\*) Term: **14 Years**

(21) Appl. No.: **29/223,417**

(22) Filed: **Feb. 14, 2005**

(51) **LOC (8) Cl.** ..... **21-01**

(52) **U.S. Cl.** ..... **D21/333; D14/401; D14/454**

(58) **Field of Classification Search** ..... D14/400,  
D14/401, 412-416, 432, 433, 454, 457, 356;  
D21/324, 333; 273/148 B; 463/1, 29-35,  
463/38-47; 345/156, 161, 163, 167; 200/1 R,  
200/5 R, 5 A

See application file for complete search history.

(56) **References Cited**

**U.S. PATENT DOCUMENTS**

5,046,739 A	9/1991	Reichow	.....	273/148 B
5,501,458 A	3/1996	Mallory	.....	273/148 B
D396,495 S	7/1998	Hirokane	.....	D21/48
D432,180 S	* 10/2000	Hayes	.....	D21/333
D432,586 S	* 10/2000	Galli-Zugaro et al.	.....	D21/333
D452,247 S	12/2001	Flynn	.....	D14/454
6,342,009 B1	* 1/2002	Soma	.....	463/38
D453,758 S	* 2/2002	Han et al.	.....	D14/401
D461,850 S	* 8/2002	Hussaini et al.	.....	D21/333
D464,996 S	* 10/2002	Hussaini et al.	.....	D21/333

D465,244 S	* 11/2002	Hussaini et al.	.....	D21/333
6,659,870 B1	* 12/2003	Sobota	.....	463/37
D489,416 S	* 5/2004	Chao	.....	D21/333
6,923,443 B1	* 8/2005	Hughes, IV	.....	273/148 B
6,932,341 B1	* 8/2005	Kenyon	.....	273/148 B

\* cited by examiner

*Primary Examiner*—Prabhakar Deshmukh  
(74) *Attorney, Agent, or Firm*—Thomte, Mazour &  
Niebergall; Shane M. Niebergall

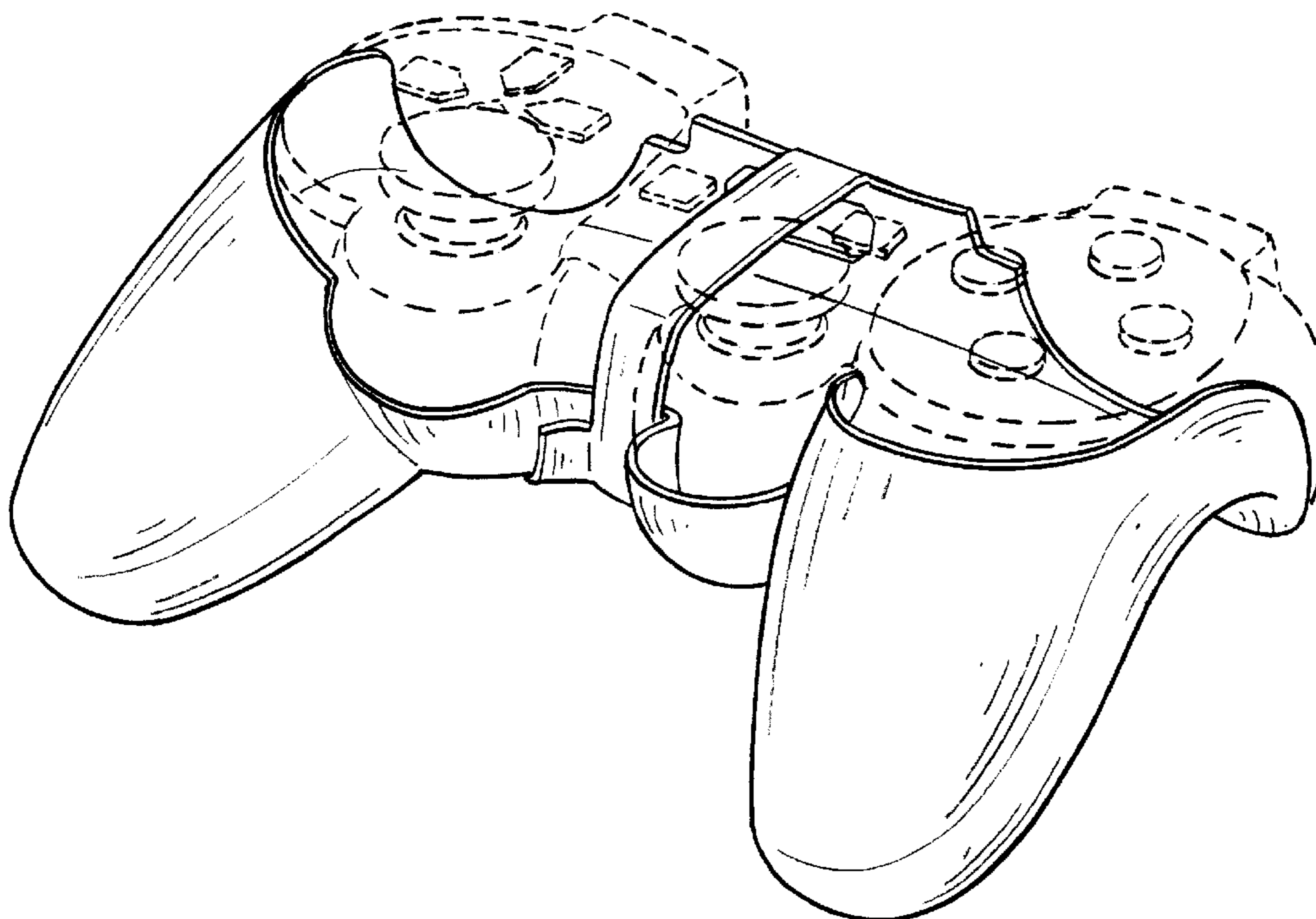
(57) **CLAIM**

The ornamental design for a cover for a game controller, as shown and described.

**DESCRIPTION**

FIG. 1 is a front isometric view of the cover for a game controller of the present invention;  
FIG. 2 is a top plan view of the cover for a game controller of the present invention;  
FIG. 3 is a rear elevation view of the cover for a game controller of the present invention;  
FIG. 4 is a side elevation view of the cover for a game controller of the present invention;  
FIG. 5 is a front elevation view of the cover for a game controller of the present invention; and,  
FIG. 6 is a bottom plan view of the cover for a game controller of the present invention.  
The broken line drawings in FIG. 1 are for illustrative purposes only and form no part of the claimed design.

**1 Claim, 2 Drawing Sheets**



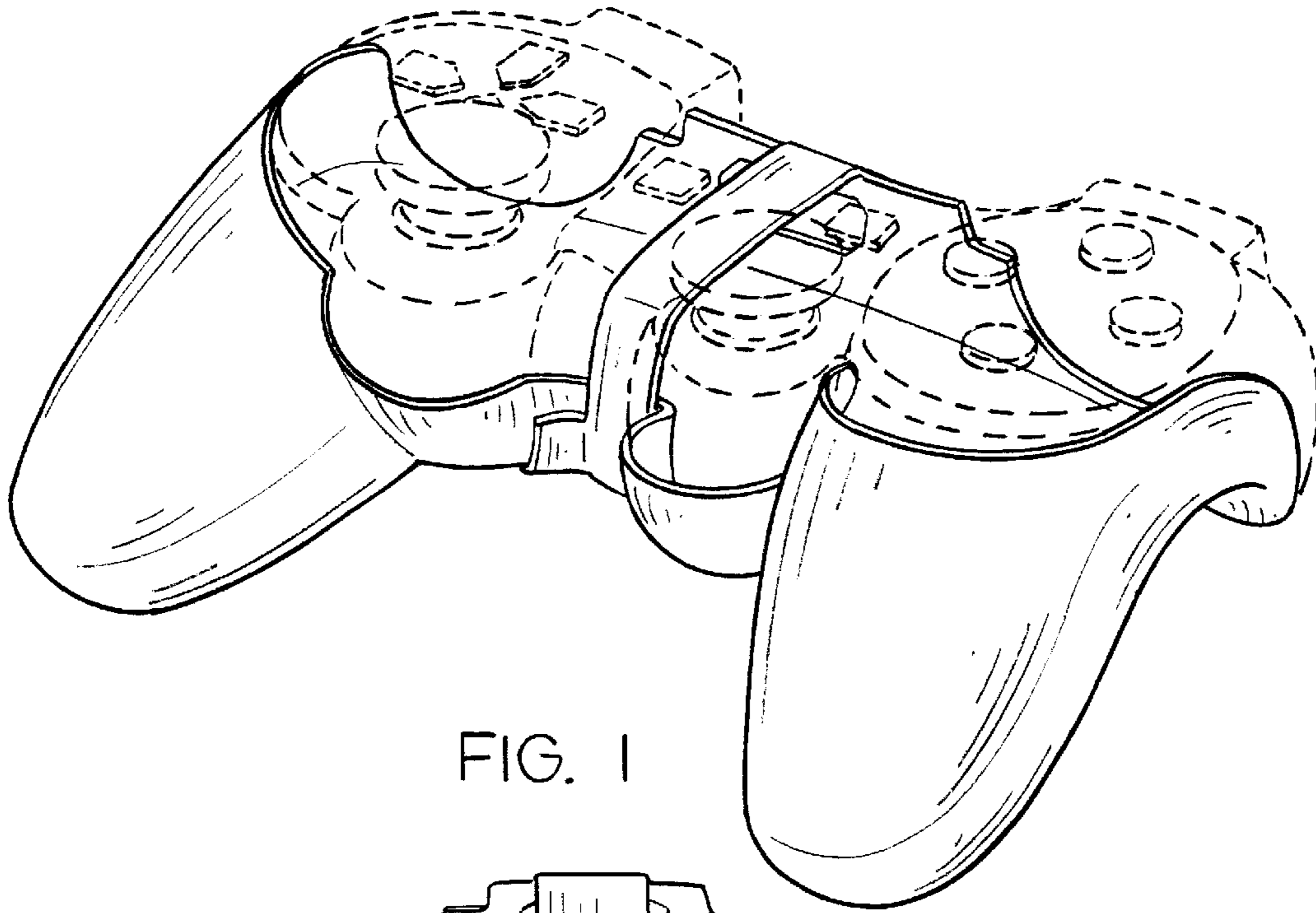


FIG. 1

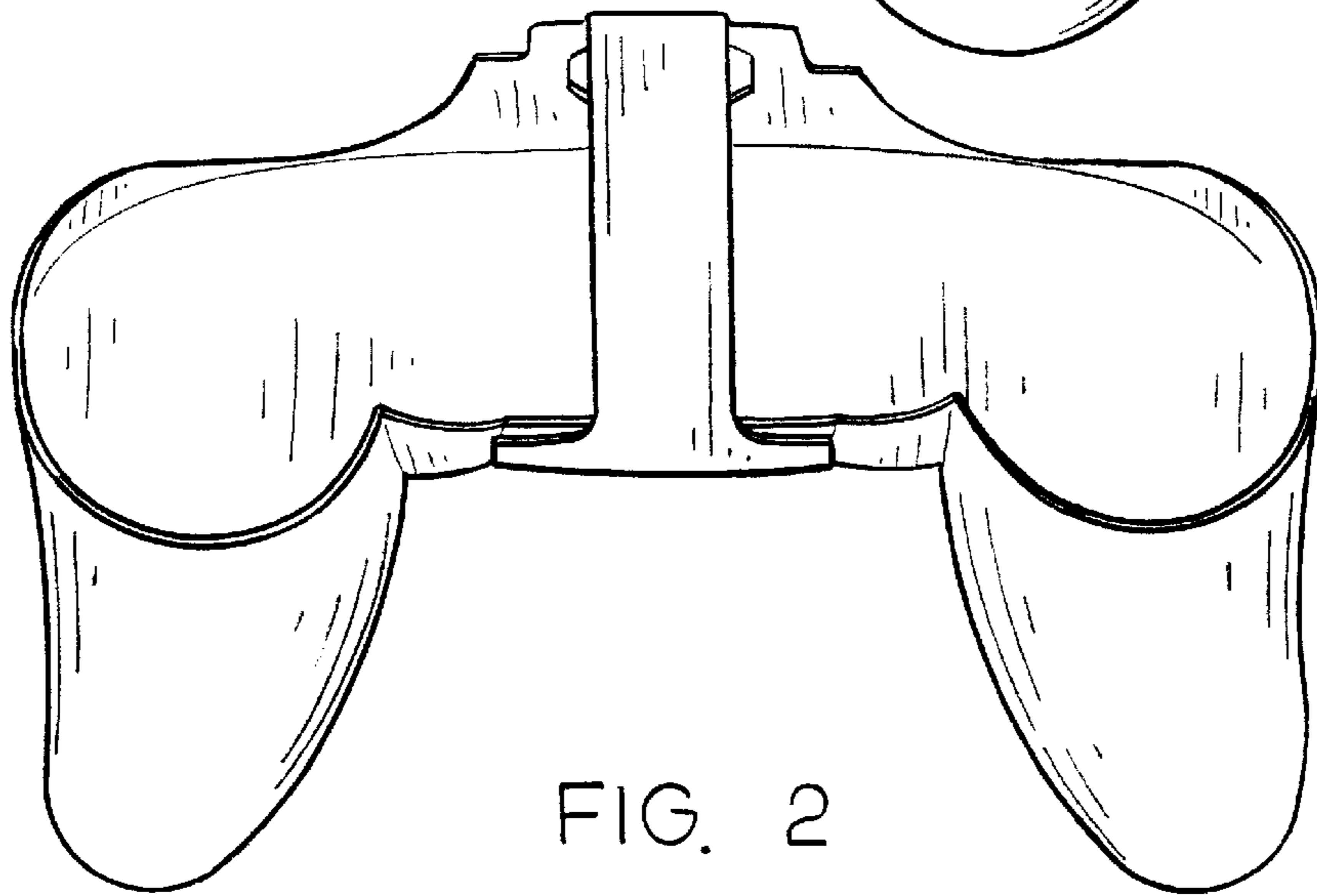


FIG. 2

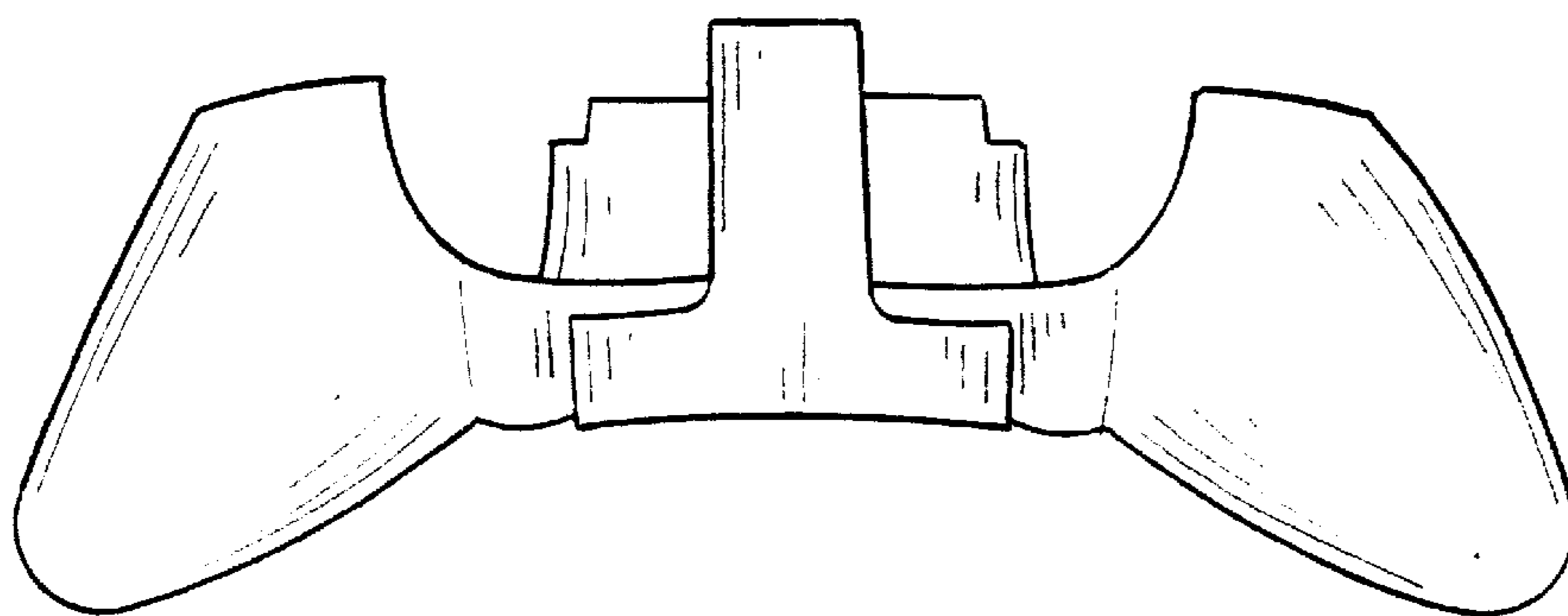


FIG. 3

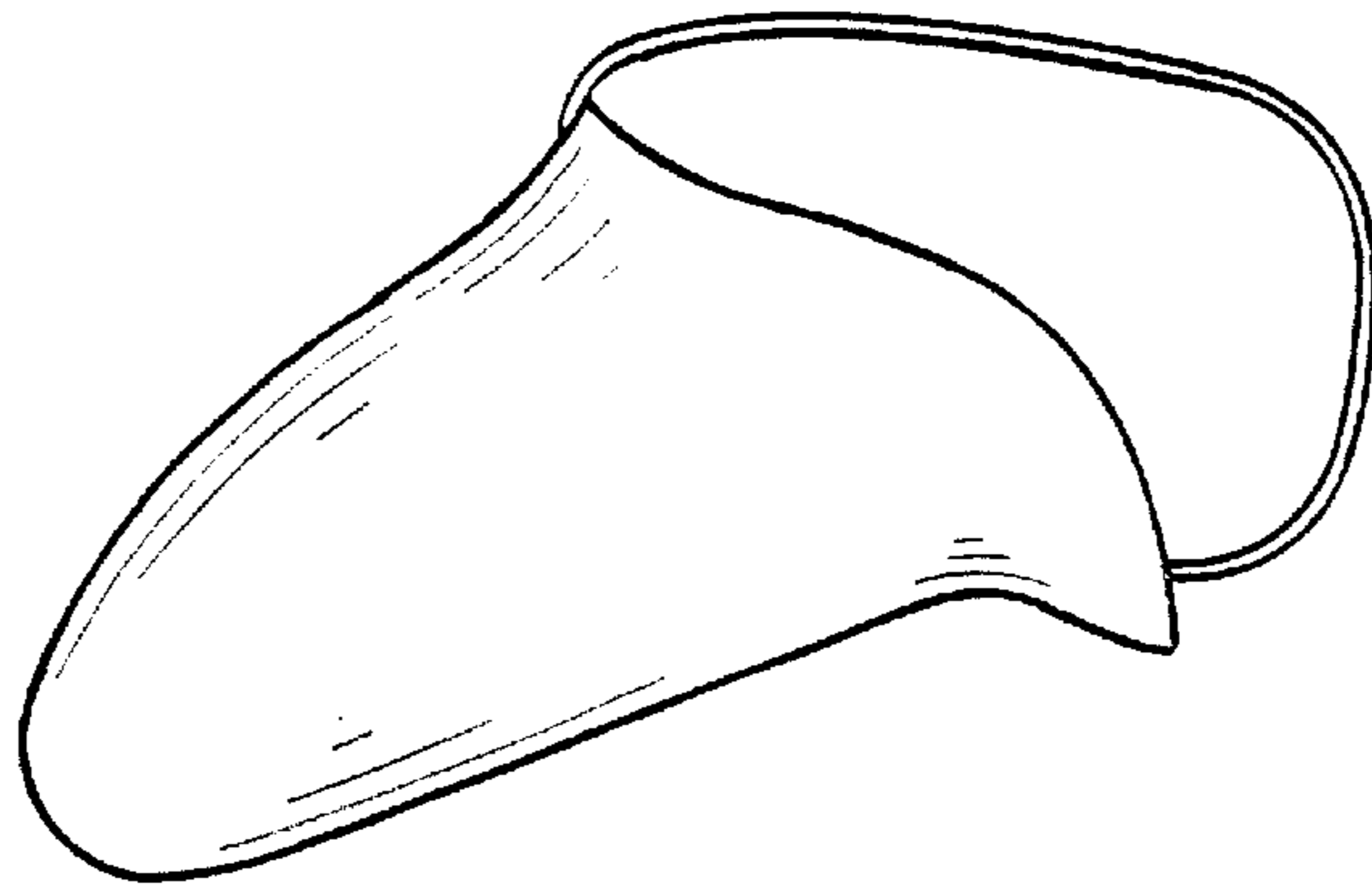


FIG. 4

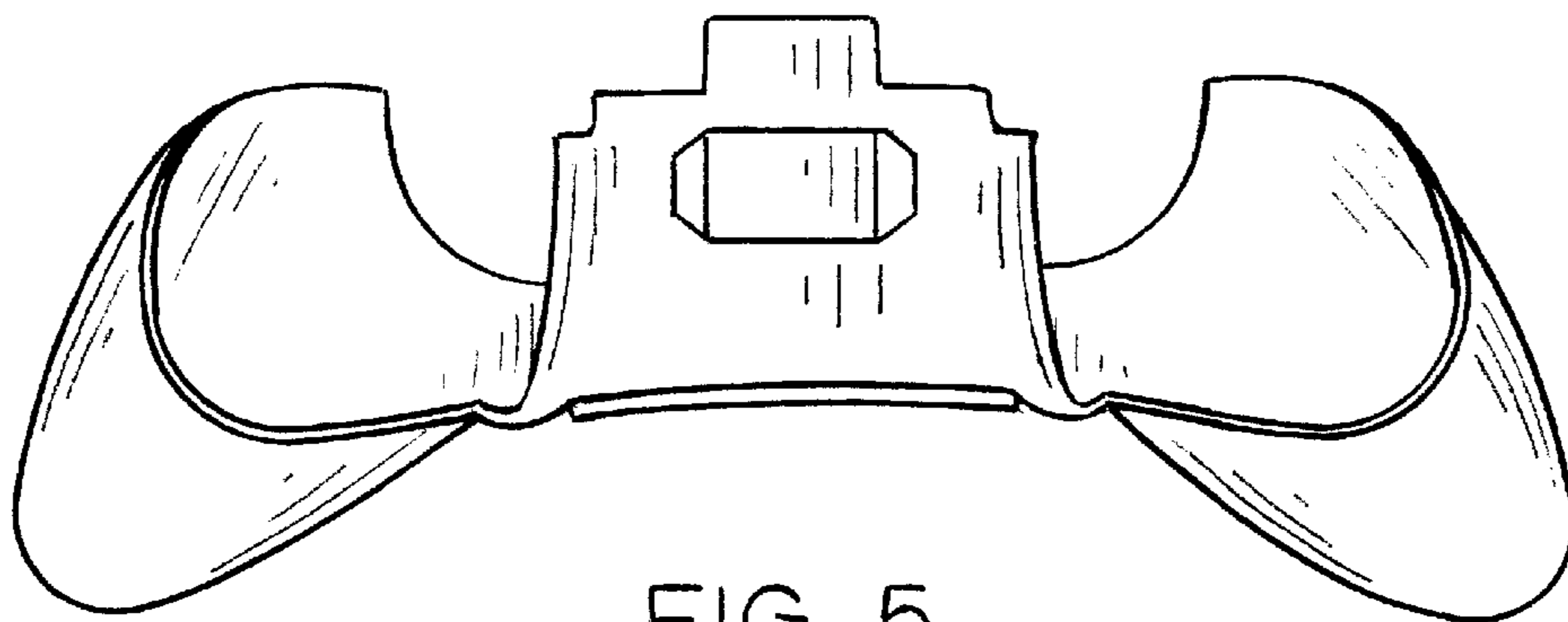


FIG. 5

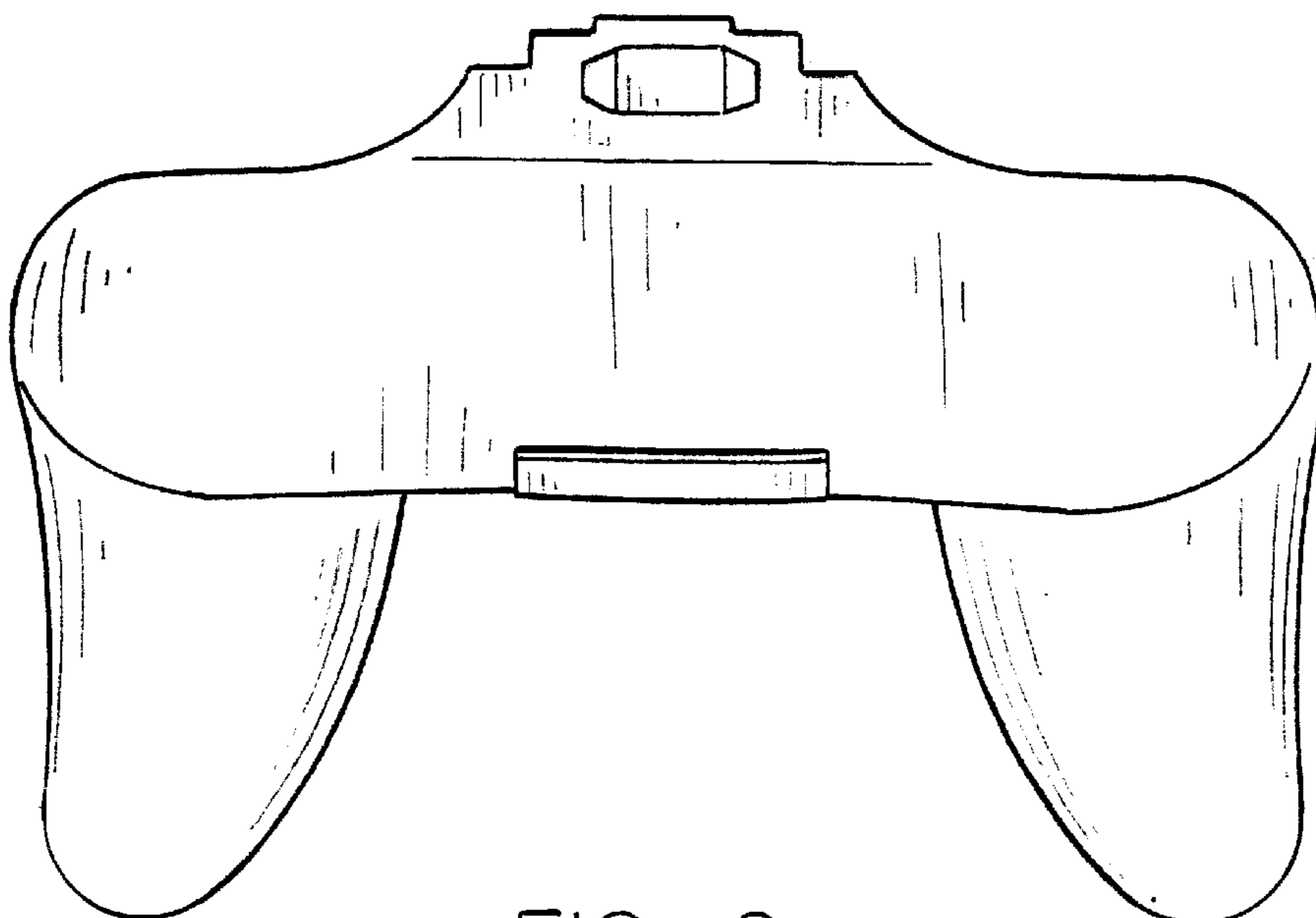


FIG. 6