



US00D521566S

(12) **United States Design Patent**
Wickens

(10) **Patent No.:** **US D521,566 S**

(45) **Date of Patent:** **** May 23, 2006**

(54) **ACTIVITY GAME**

FOREIGN PATENT DOCUMENTS

(76) Inventor: **Paul M. Wickens**, 34 Aldridge Park,
Winkfield Row (GB), RG42 7NU

GB 510581 10/1938

* cited by examiner

(**) Term: **14 Years**

Primary Examiner—Prabhakar Deshmukh
(74) *Attorney, Agent, or Firm*—Woodard, Emhardt,
Moriarty, McNett & Henry LLP

(21) Appl. No.: **29/202,898**

(22) Filed: **Apr. 6, 2004**

(57) **CLAIM**

(30) **Foreign Application Priority Data**

I claim the ornamental design for an activity game, as shown
and described.

Oct. 6, 2003 (EM) 000085378

(51) **LOC (8) Cl.** **21-01**

DESCRIPTION

(52) **U.S. Cl.** **D21/300**

(58) **Field of Classification Search** D21/330–302,
D21/385, 437, 456, 466; 273/450, 440, 449,
273/459, 153 R, 154, 331, 348; 473/505.506,
473/516, 569, 590

FIG. 1 is a perspective view of an activity game, showing
my ornamental design;
FIG. 2 is a front elevational view thereof;
FIG. 3 is a right side elevational view thereof;
FIG. 4 is a top plan view thereof;
FIG. 5 is a bottom plan view thereof.
FIG. 6 is a perspective view of an activity game, showing
another embodiment of my ornamental design;
FIG. 7 is a bottom plan view thereof;
FIG. 8 is a front elevational view thereof.
FIG. 9 is a perspective view of an activity game, showing
another embodiment of my ornamental design;
FIG. 10 is a top plan view thereof;
FIG. 11 is a right side elevational view, the left side being the
same.
FIG. 12 is a perspective view of an activity game, showing
another embodiment of my ornamental design;
FIG. 13 is a top plan view thereof; and,
FIG. 14 is a front elevational view thereof.

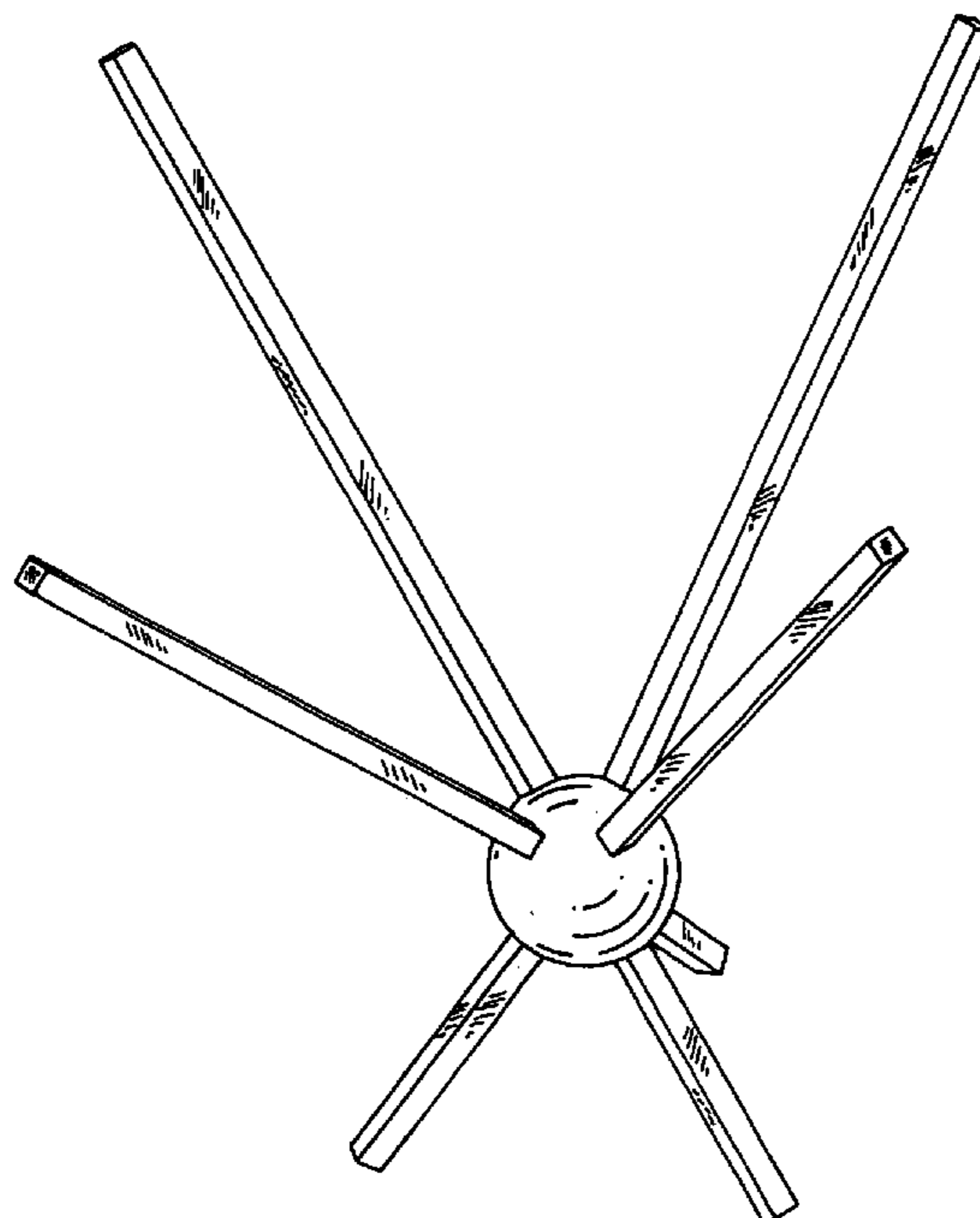
See application file for complete search history.

(56) **References Cited**

U.S. PATENT DOCUMENTS

1,885,260	A	11/1932	Hoglund	
2,039,121	A	* 4/1936	Sample	273/450
2,103,467	A	12/1937	Konikoff	273/1
3,010,721	A	* 11/1961	Ellman	473/505
3,114,548	A	* 12/1963	Taft, Jr.	273/450
3,617,057	A	11/1971	Goldfarb	271/1 R
4,667,956	A	* 5/1987	Davis	273/447
5,197,735	A	* 3/1993	Land et al.	273/144 R
D448,423	S	* 9/2001	Snowden	D21/300

1 Claim, 9 Drawing Sheets



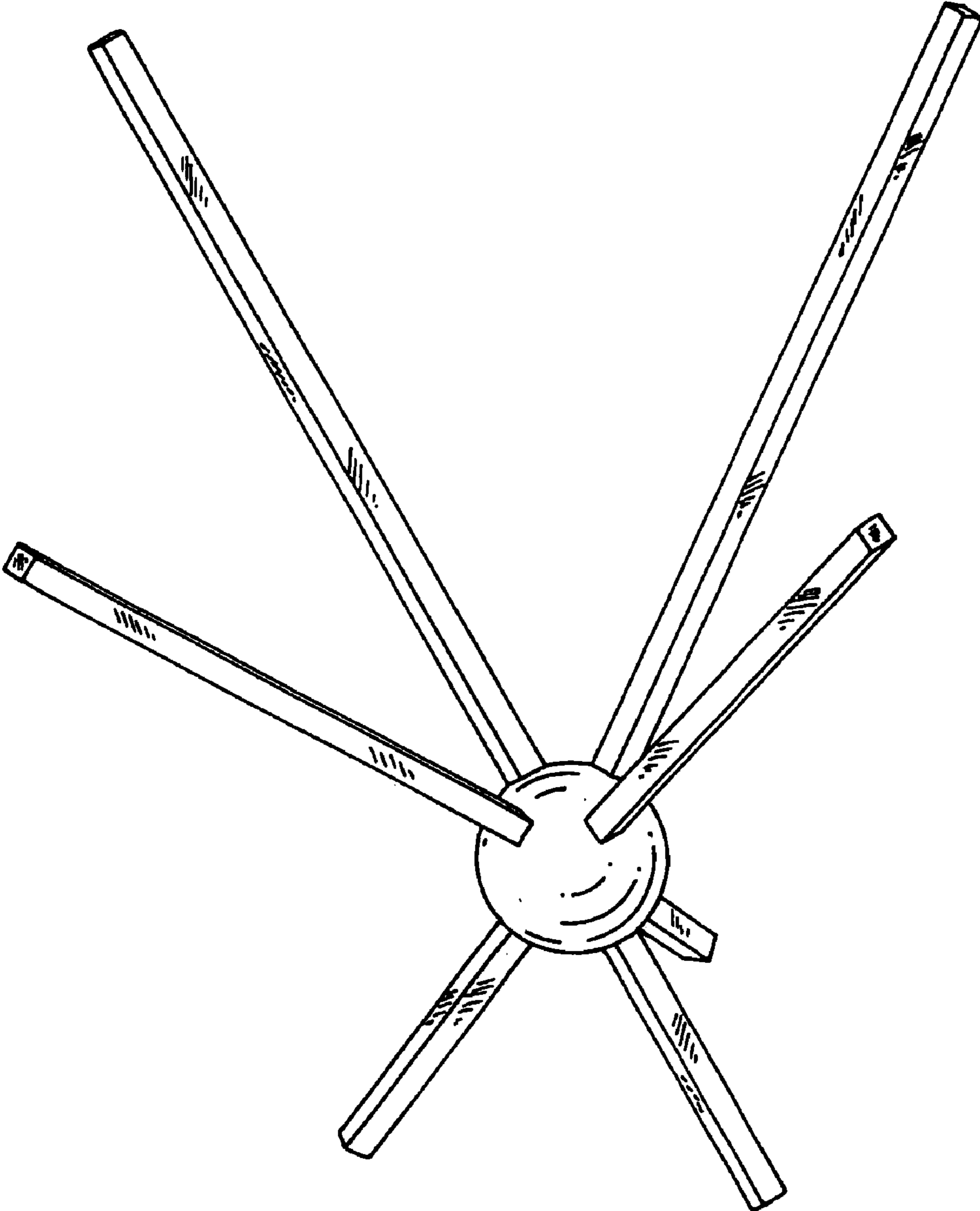


FIG. 1

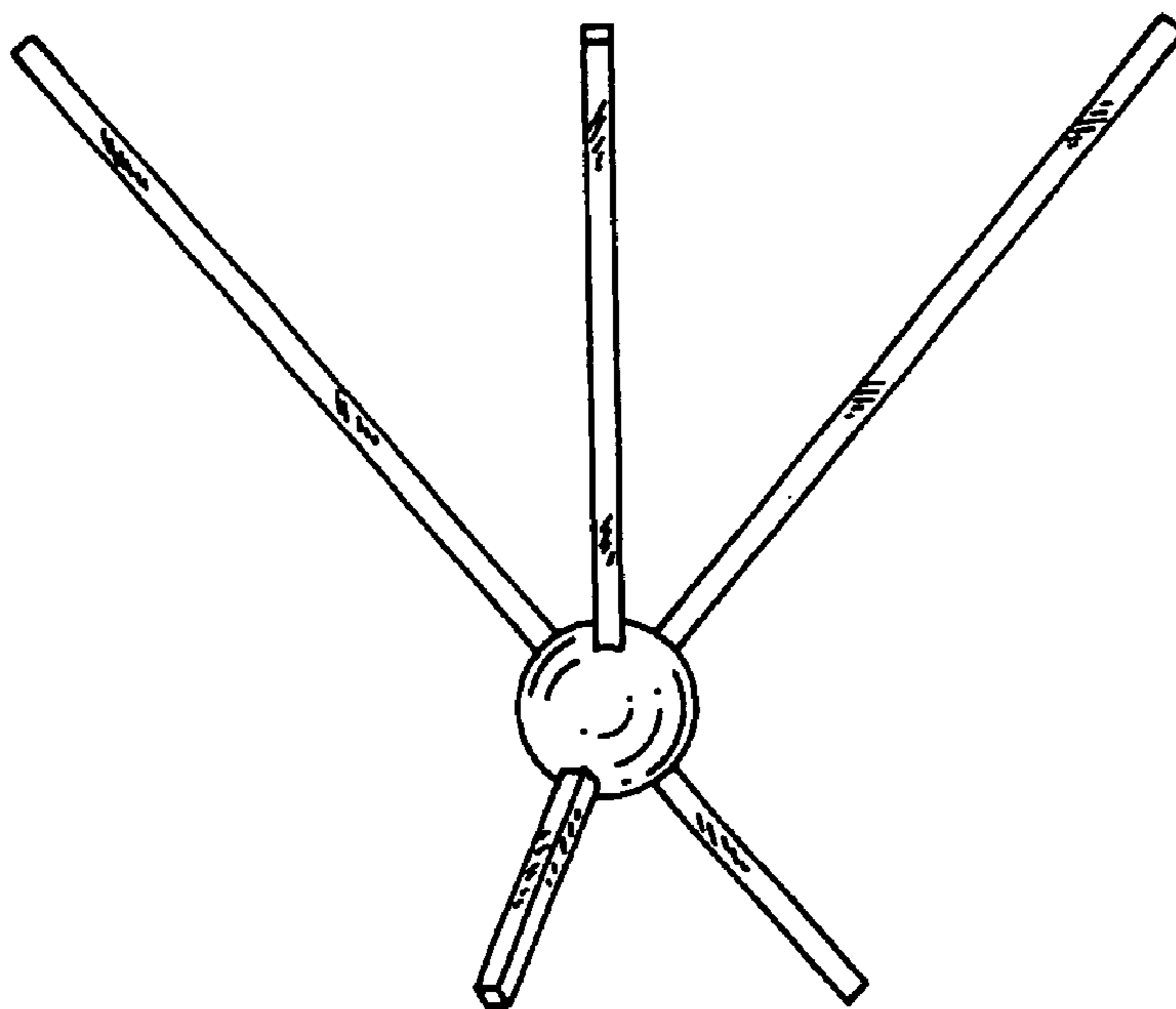


FIG. 2

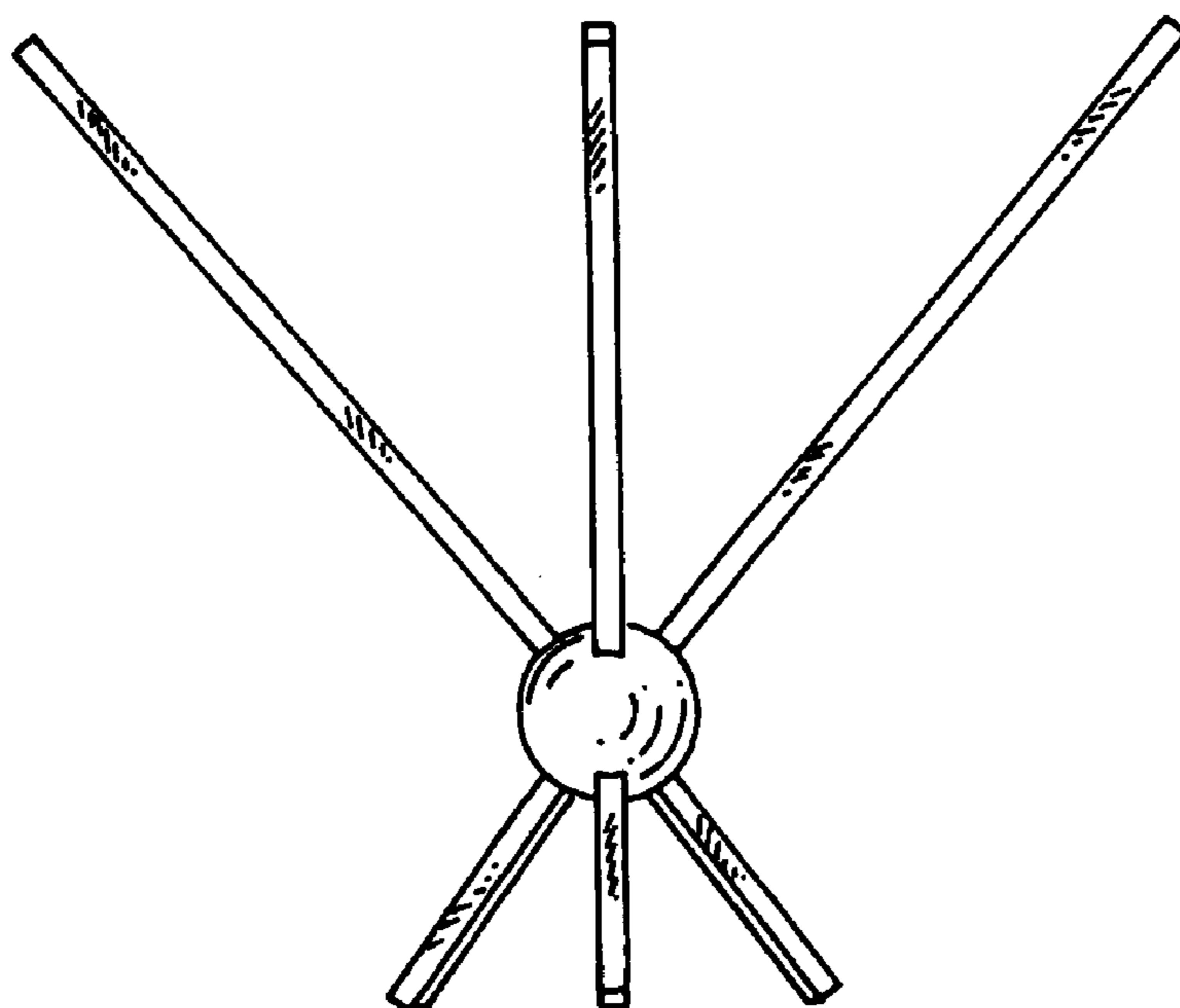


FIG. 3

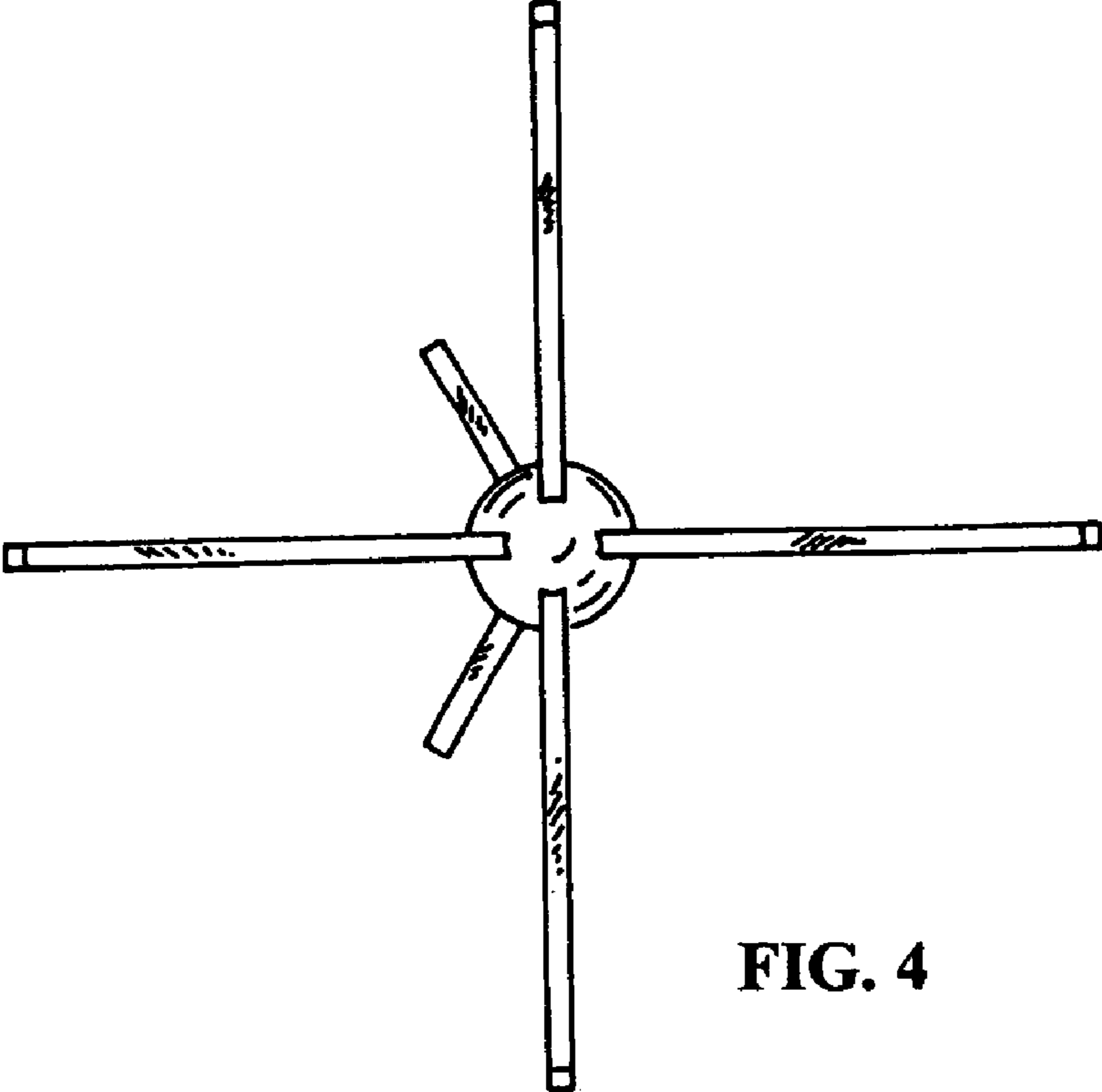


FIG. 4

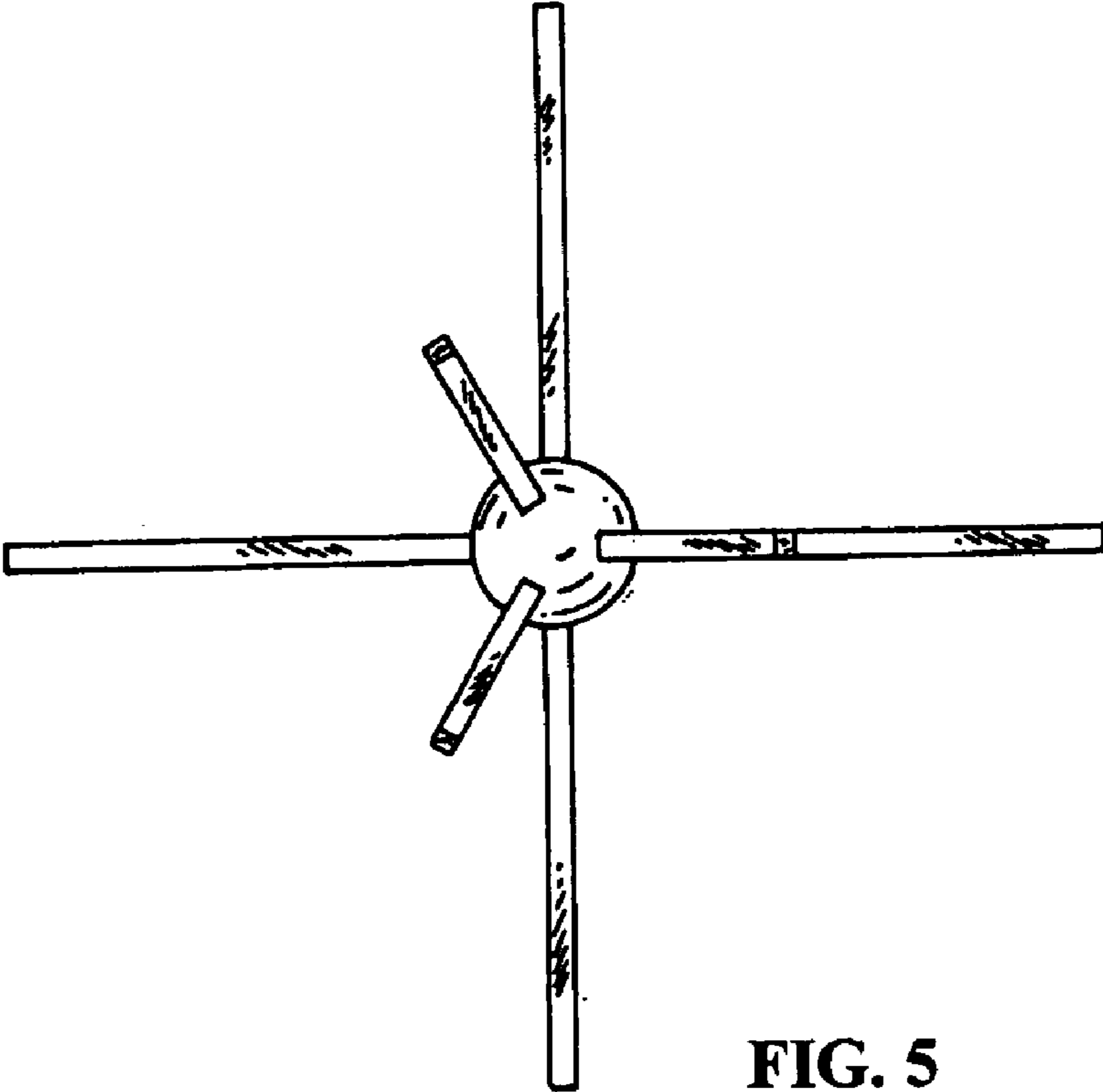


FIG. 5

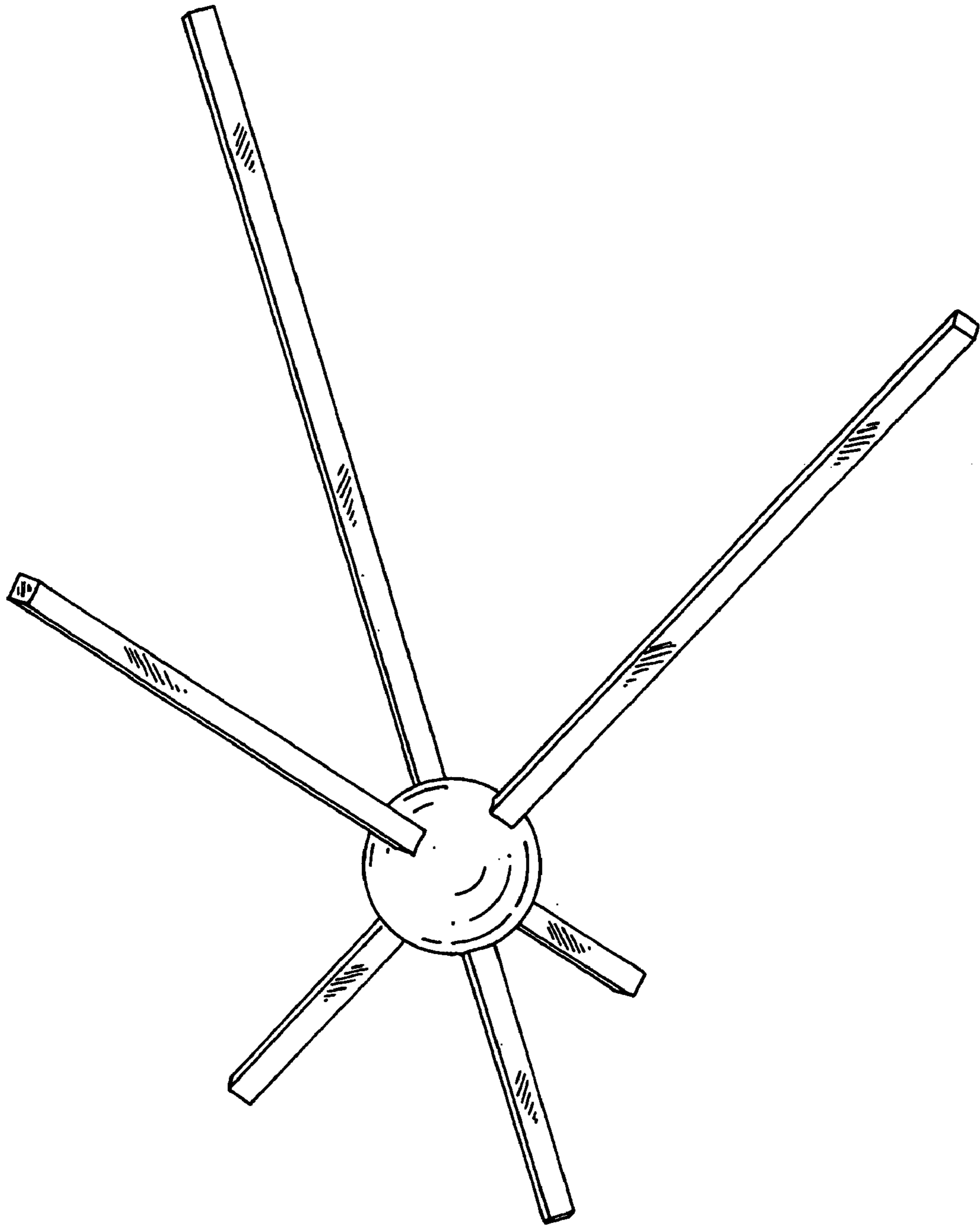


FIG. 6

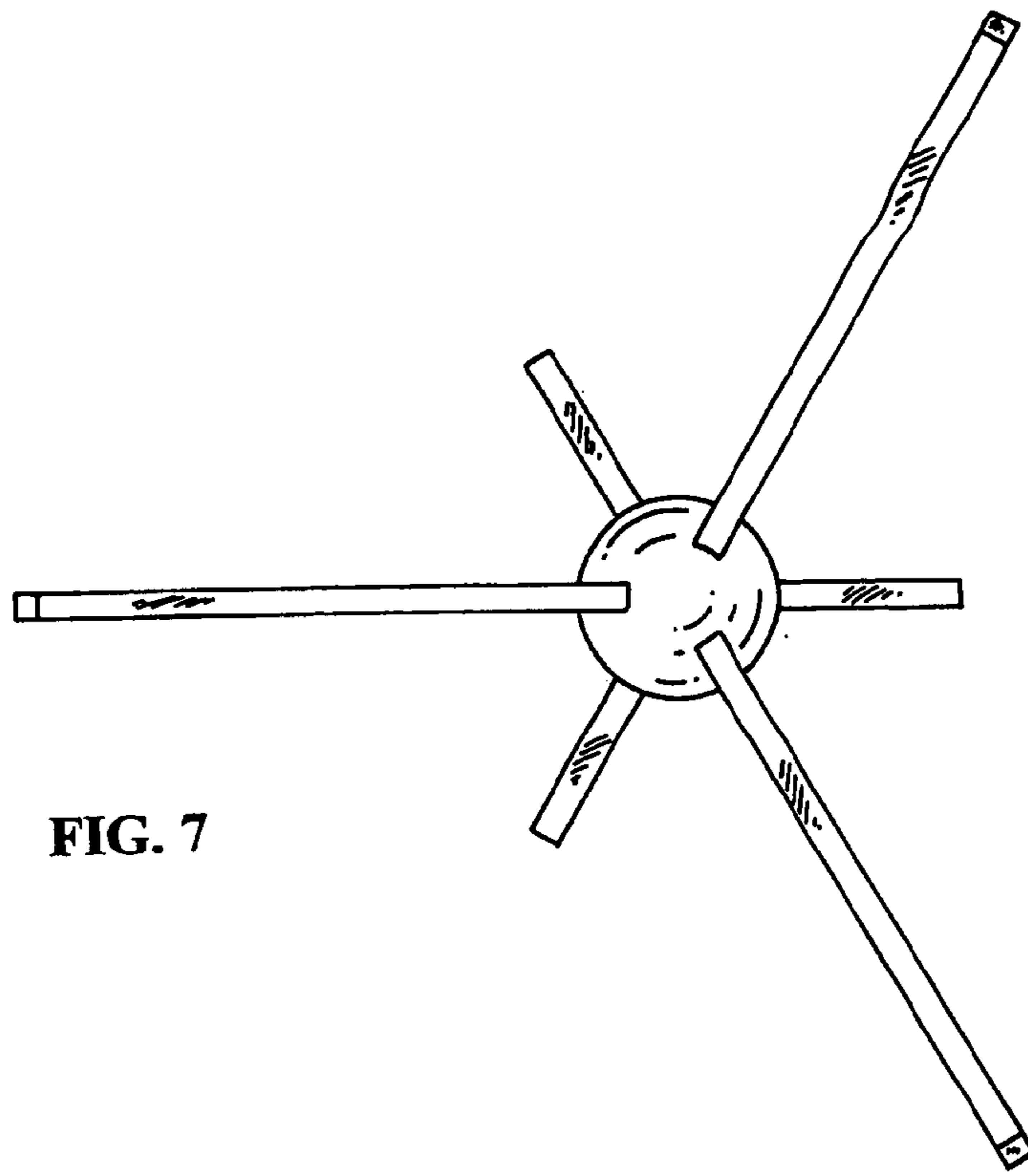


FIG. 7

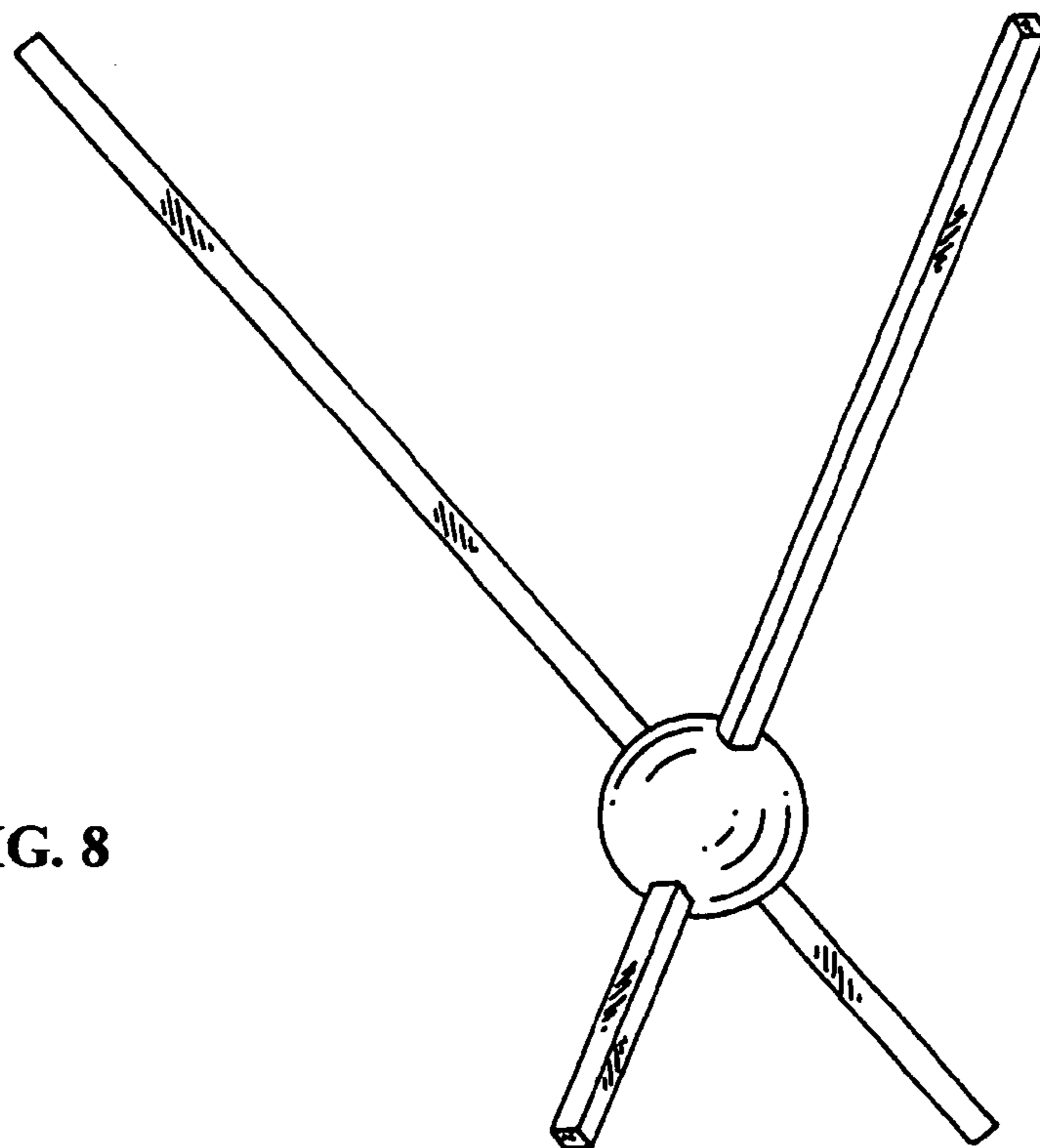


FIG. 8

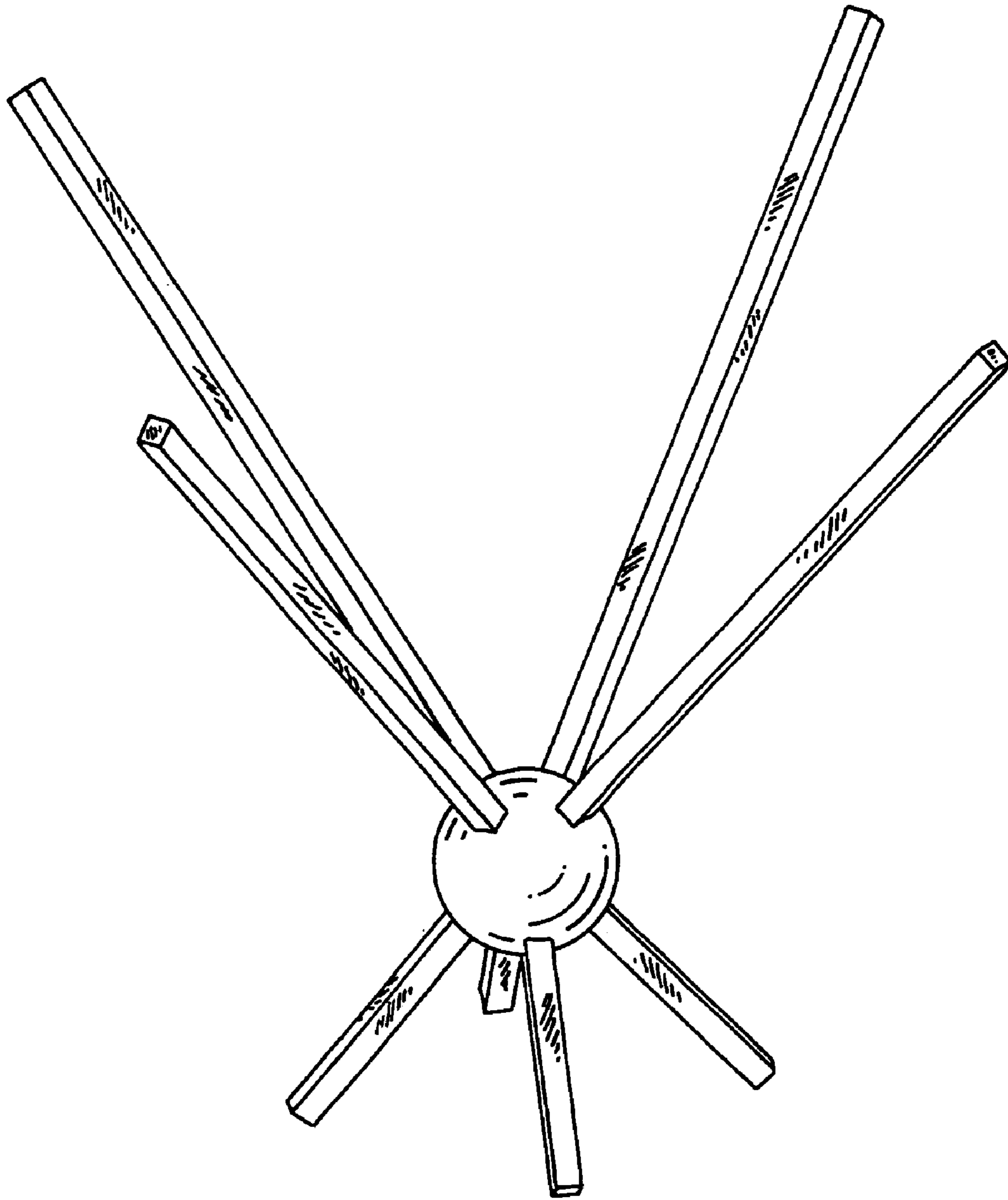


FIG. 9

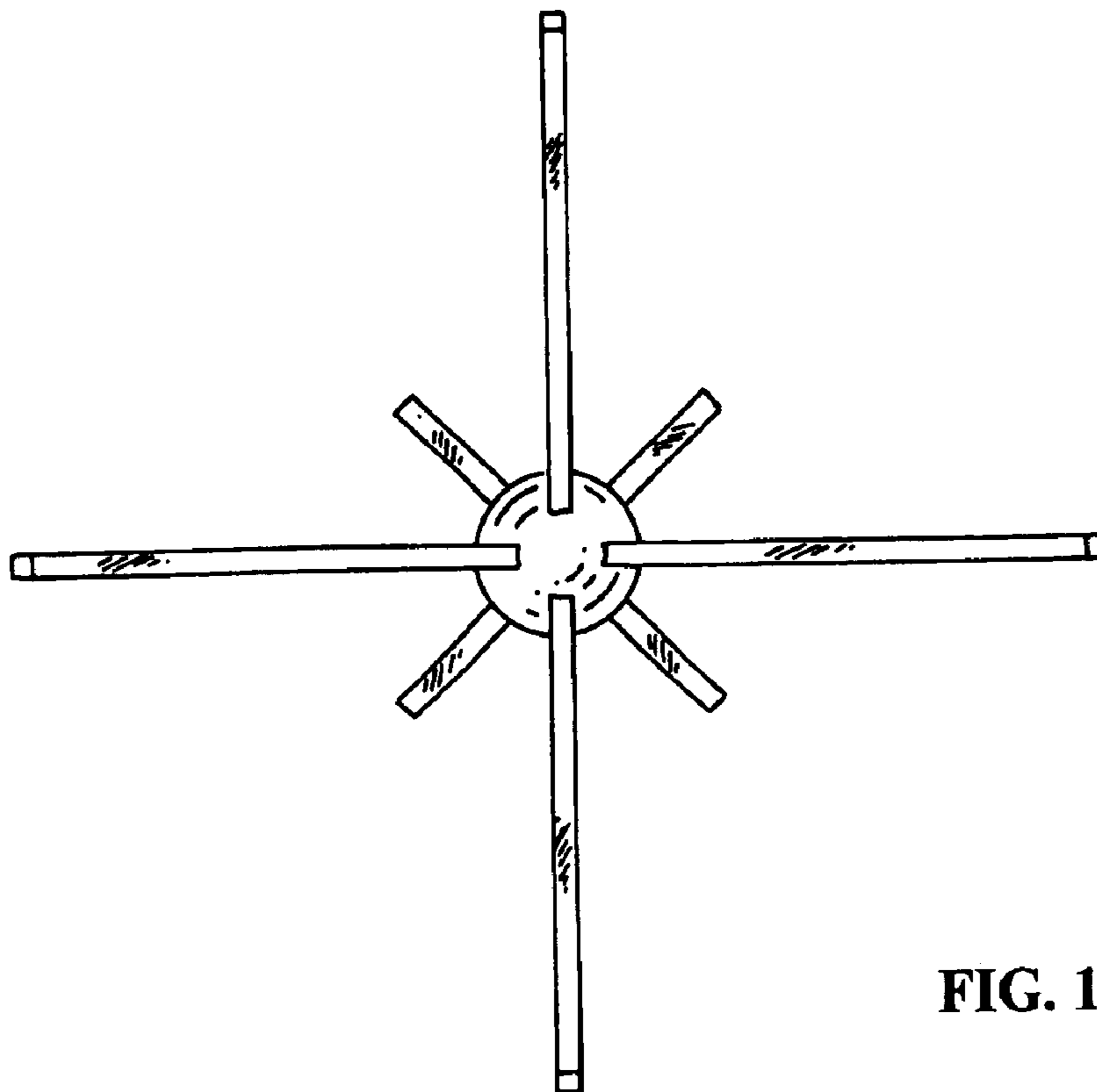


FIG. 10

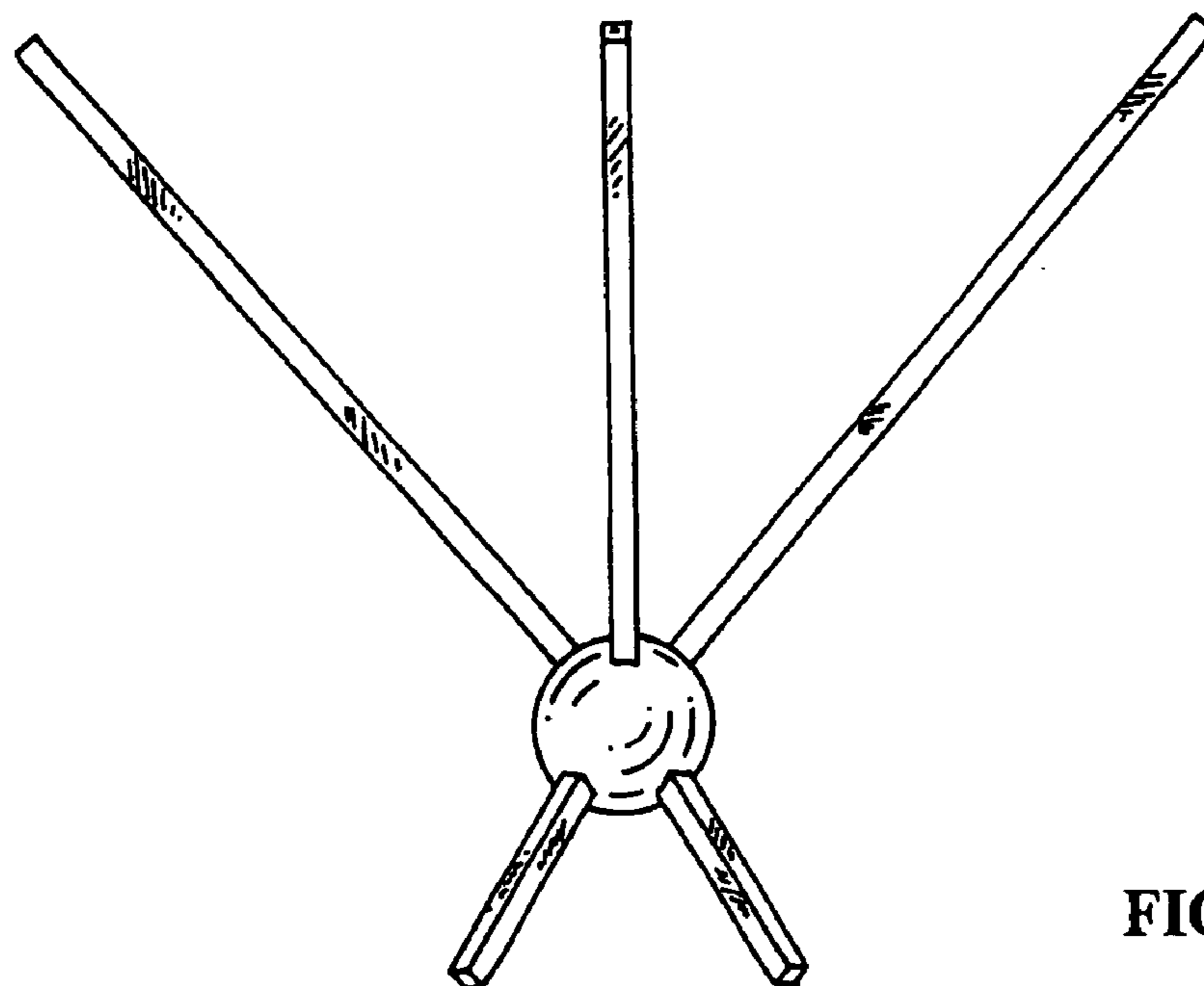


FIG. 11

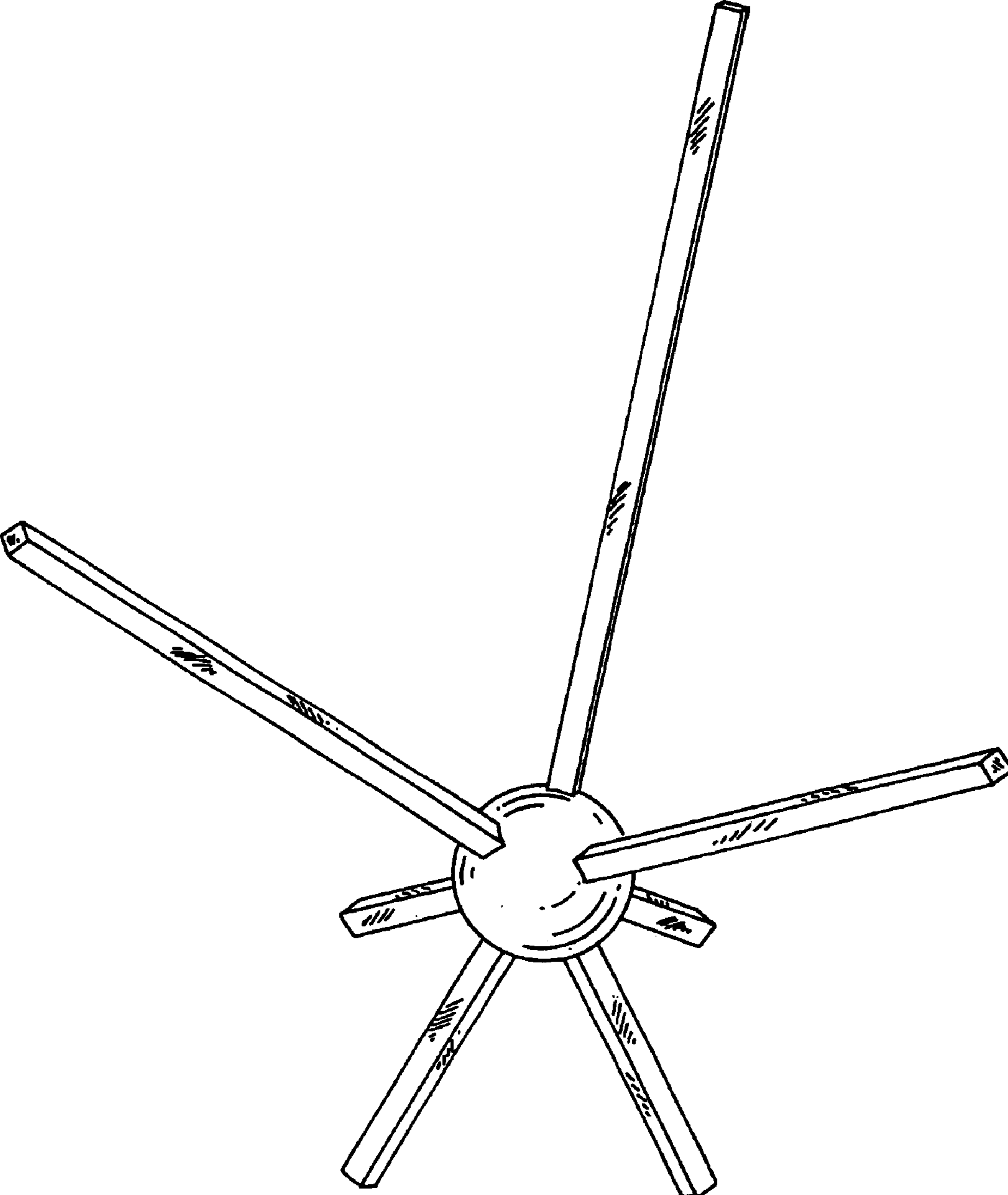


FIG.12

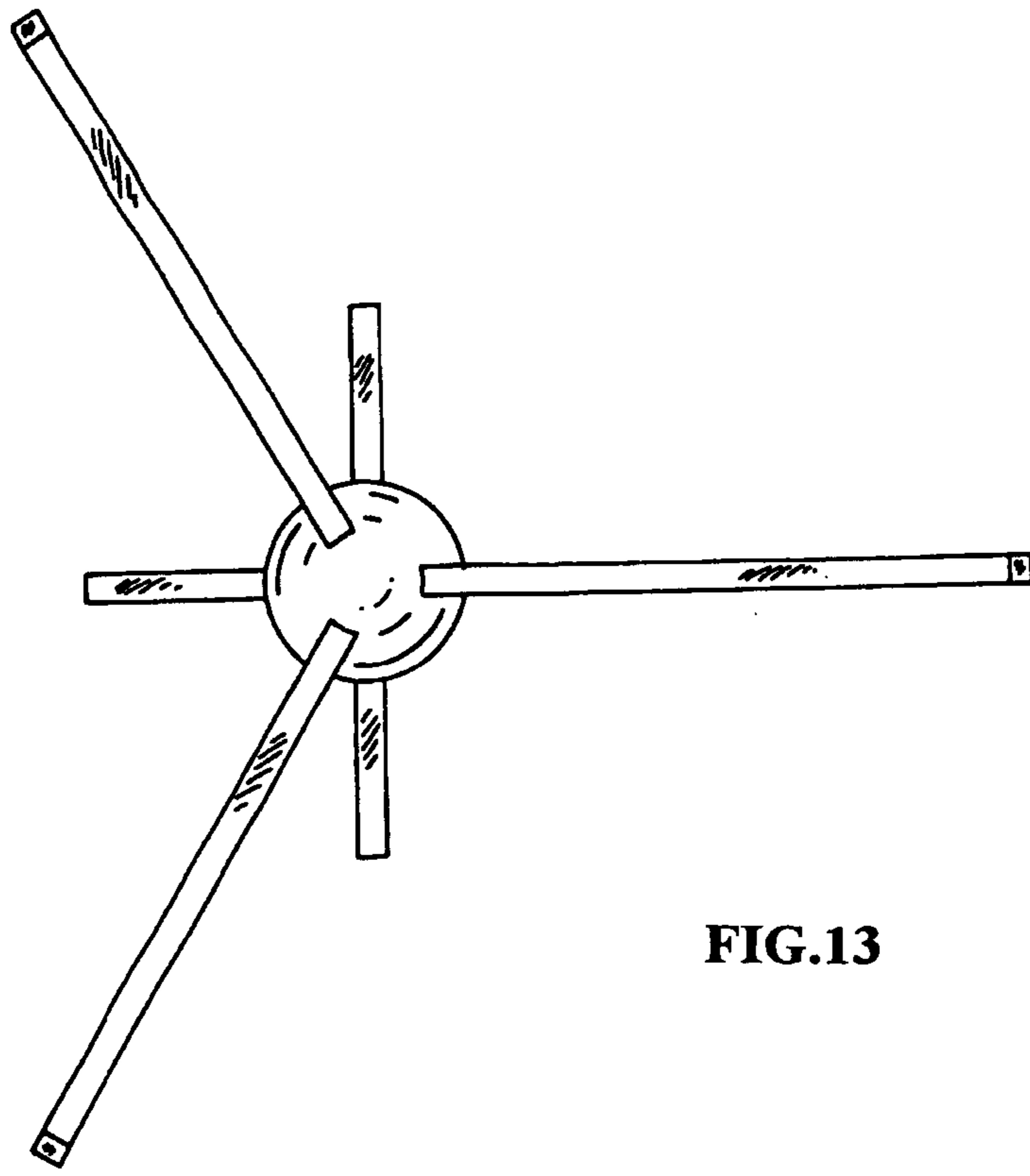


FIG.13

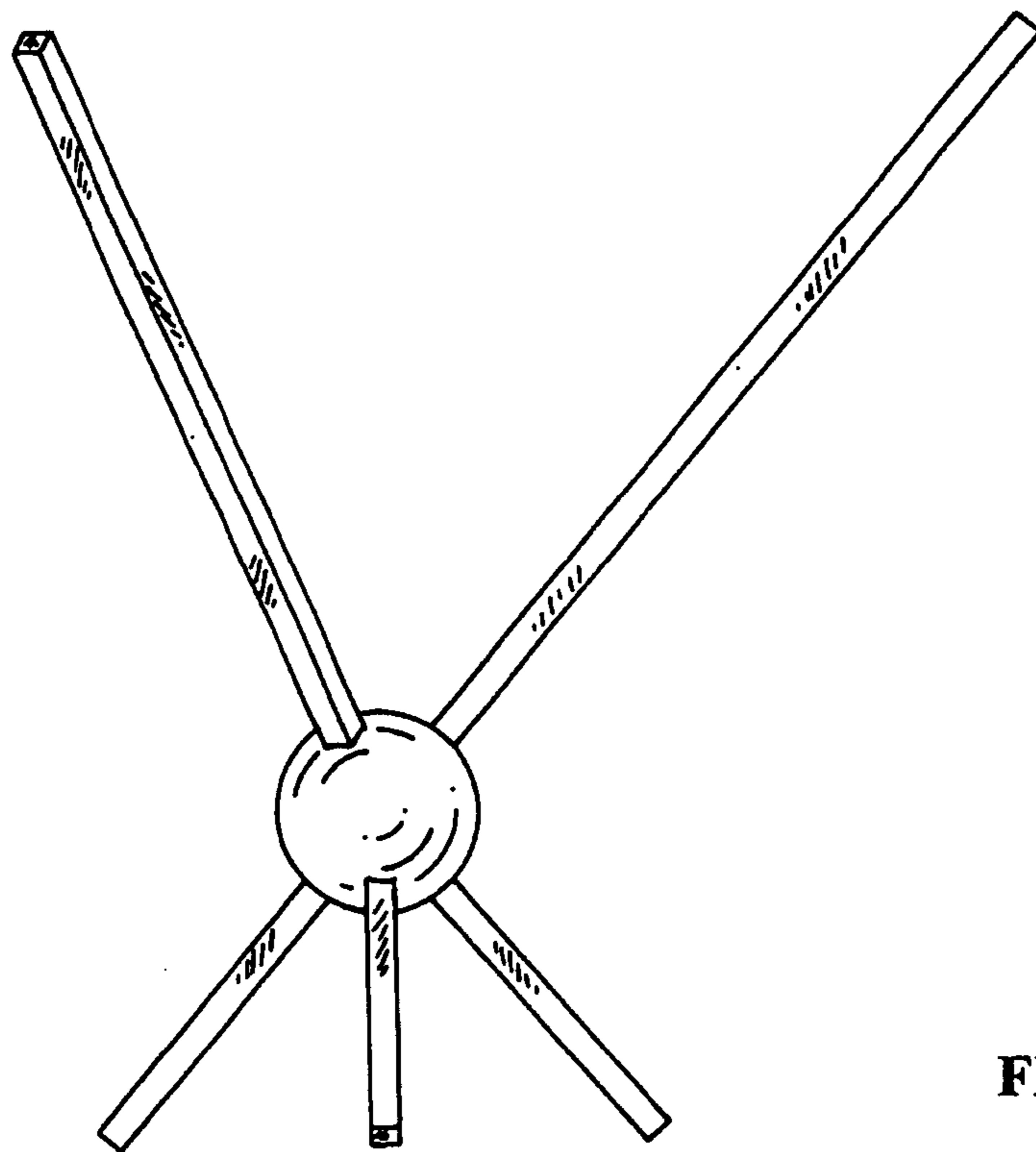


FIG.14