

US00D521562S

(12) **United States Design Patent**
Richter

(10) **Patent No.:** **US D521,562 S**

(45) **Date of Patent:** **** May 23, 2006**

(54) **COLLAPSIBLE DOCUMENT STAND**

(76) Inventor: **Grant Vincent Richter**, 36 Muraban Road, Dural, New South Wales (AU), 2158

(**) Term: **14 Years**

(21) Appl. No.: **29/211,169**

(22) Filed: **Aug. 10, 2004**

(30) **Foreign Application Priority Data**

Feb. 11, 2004 (AU) 499/2004

(51) **LOC (8) Cl.** **19-02**

(52) **U.S. Cl.** **D19/91**

(58) **Field of Classification Search** D6/310, D6/311, 312, 313, 314, 419; D19/75, 78, D19/86, 87, 90, 91, 92, 95; 206/215; 248/441.1, 248/442.2, 450, 451, 453, 454, 455, 456, 248/460, 462, 463, 918; 281/33, 45

See application file for complete search history.

(56) **References Cited**

U.S. PATENT DOCUMENTS

- 1,564,594 A * 12/1925 Leh 248/448
- 1,797,889 A * 3/1931 Wiberg 248/454
- 2,080,591 A * 5/1937 Wright 281/33
- 2,165,255 A * 7/1939 Hamilton 248/455
- 2,224,530 A * 12/1940 Weinstein 211/43
- 2,490,356 A * 12/1949 Hummel 248/463

- 2,881,008 A * 4/1959 Goldman 281/33
- 3,785,605 A * 1/1974 Parekh 248/455
- D249,532 S * 9/1978 Cudahy et al. D19/35
- D278,109 S * 3/1985 Leeds D6/419
- 6,386,500 B1 * 5/2002 Dainoff et al. 248/451

* cited by examiner

Primary Examiner—Janice E. Seeger

Assistant Examiner—Elizabeth Albert

(74) *Attorney, Agent, or Firm*—Townsend and Townsend and Crew LLP

(57) **CLAIM**

The ornamental design for a collapsible document stand, as shown and described.

DESCRIPTION

FIG. 1 is a front perspective view of a collapsible document stand (open);

FIG. 2 is a rear perspective view of a collapsible document stand (open);

FIG. 3 is a front view of a collapsible document stand (open);

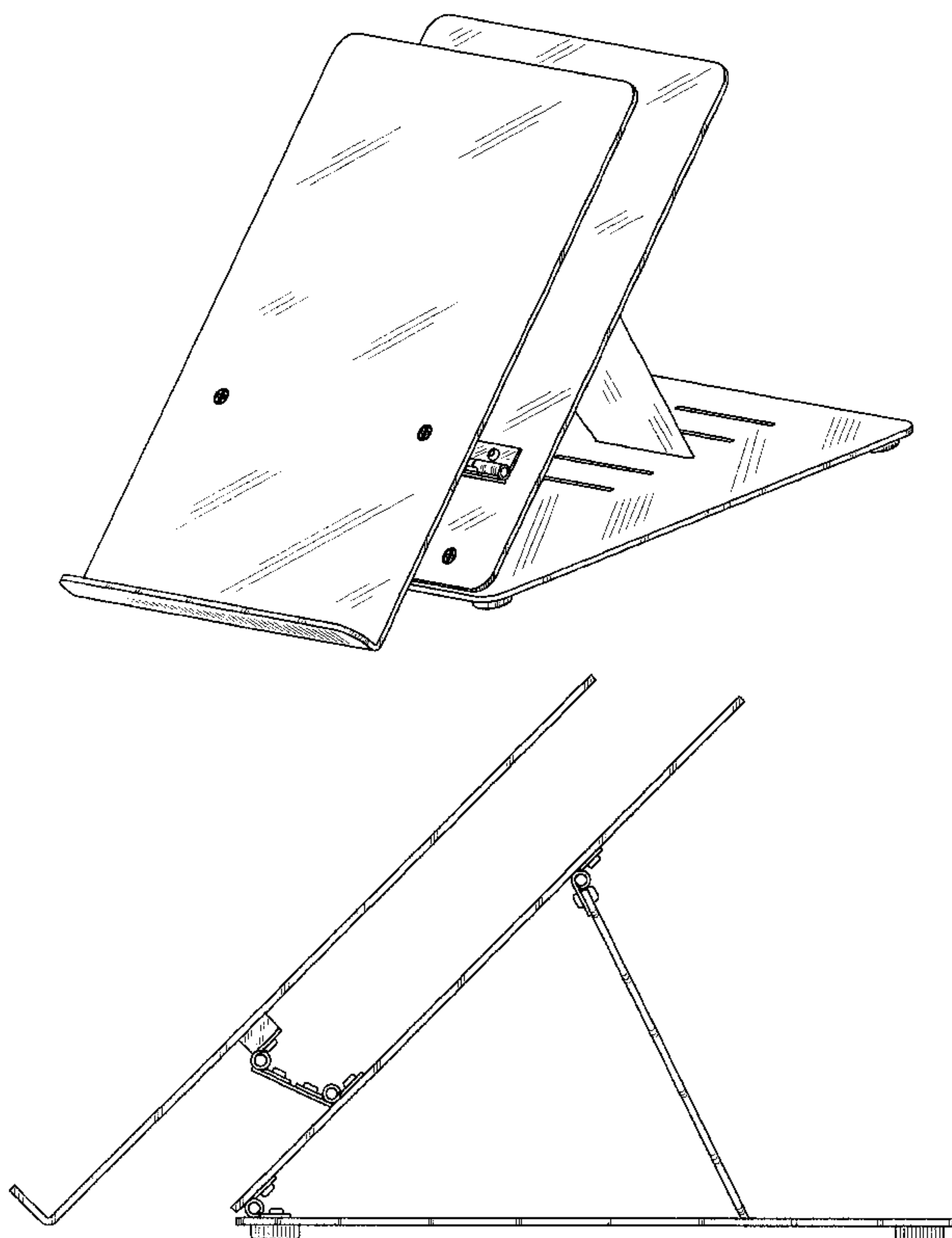
FIG. 4 is a right side view of a collapsible document stand (open); the left side view being a mirror image;

FIG. 5 is a rear view of a collapsible document stand (open);

FIG. 6 is a right side view of a collapsible document stand (closed); and,

FIG. 7 is a front view of a collapsible document stand (closed).

1 Claim, 6 Drawing Sheets



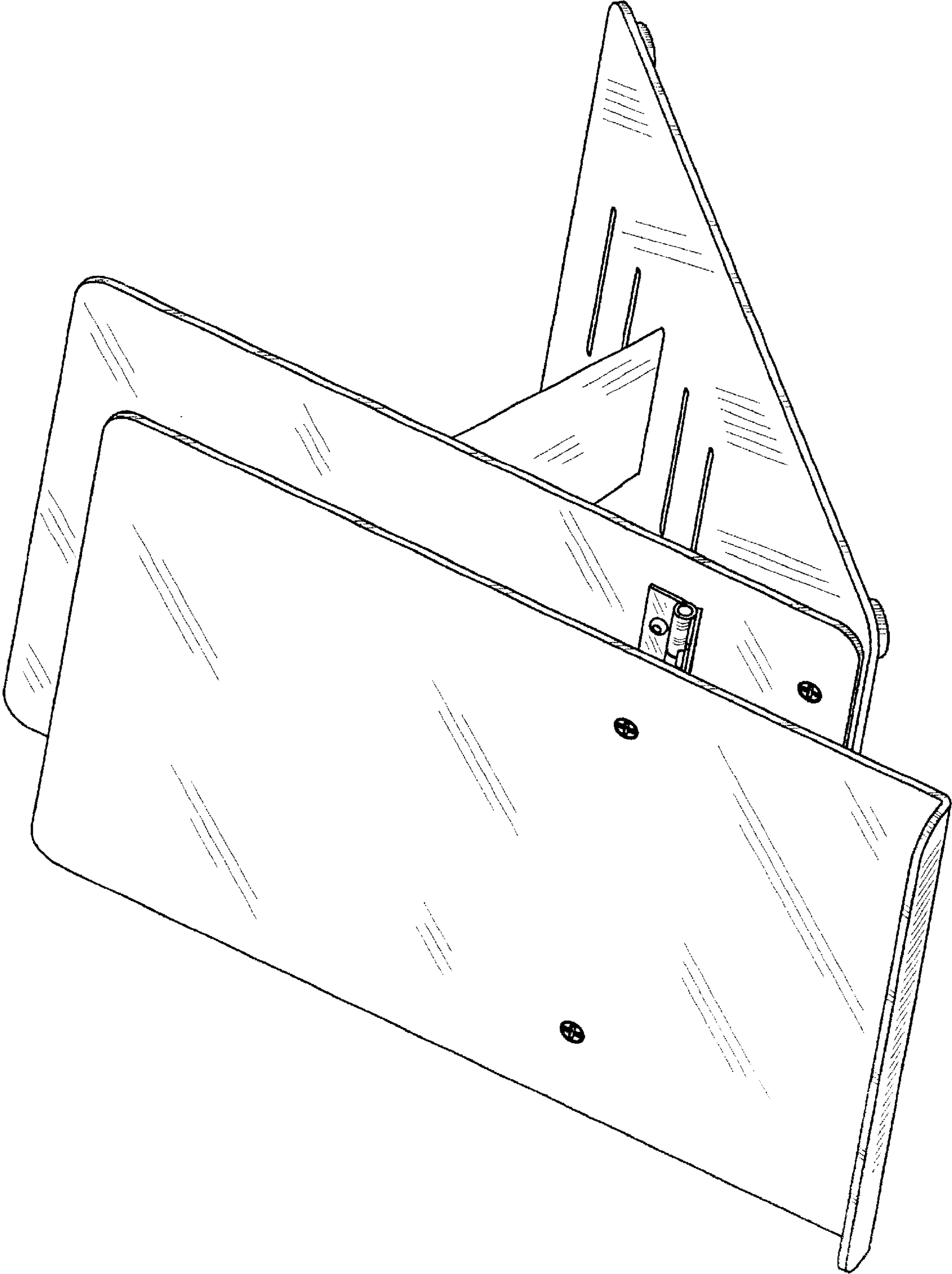


Fig. 1

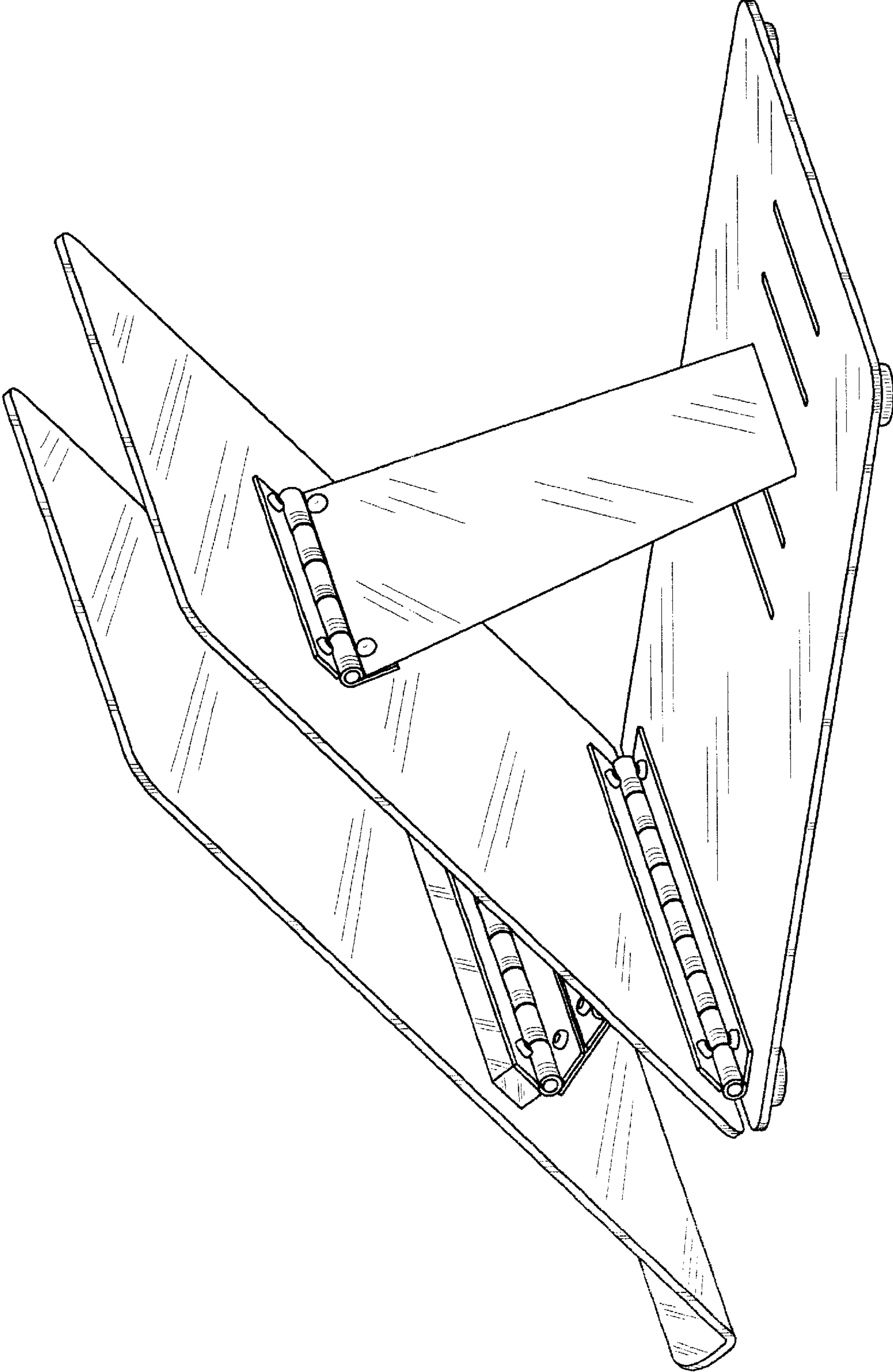


Fig.2

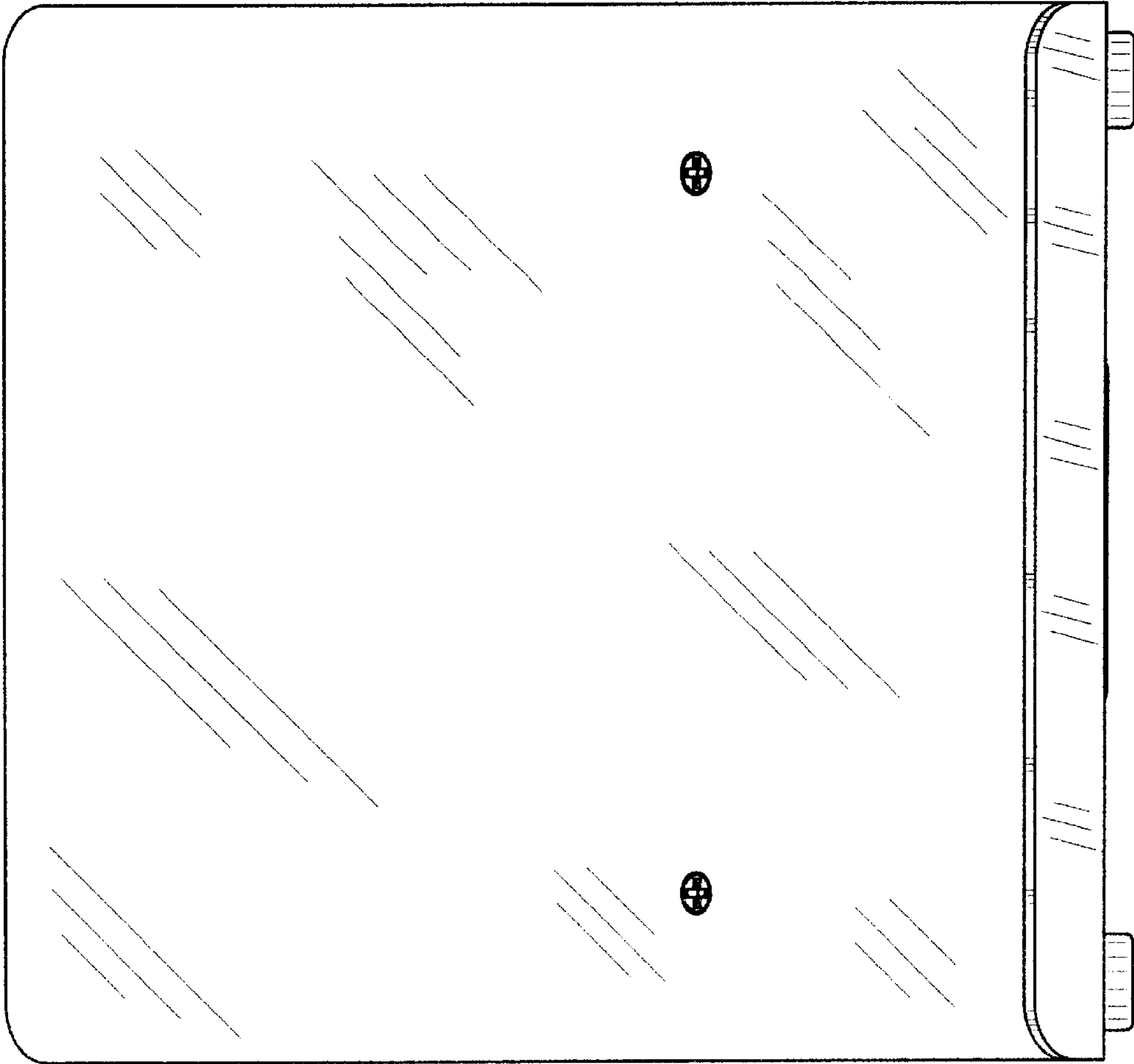


Fig. 3

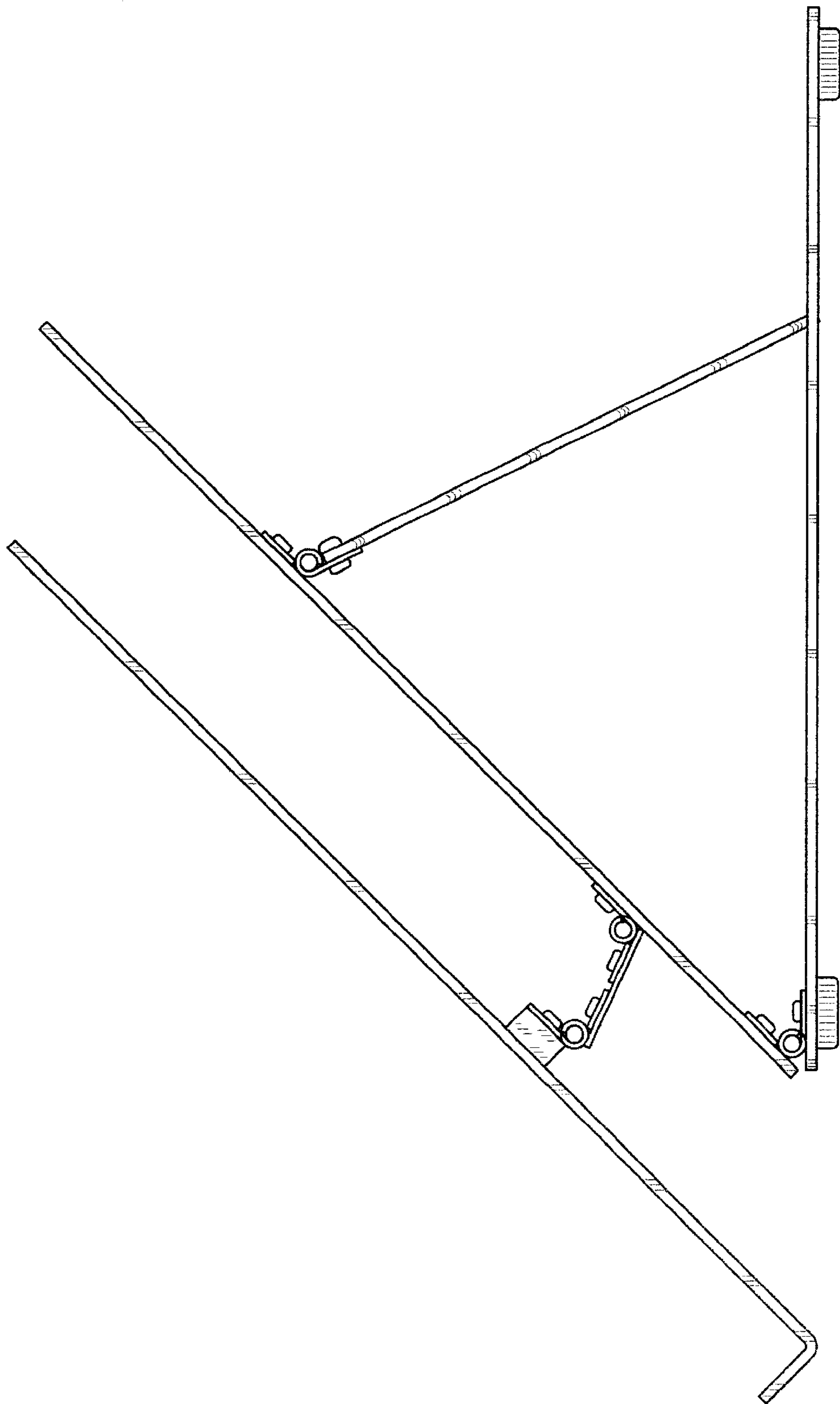


Fig.4

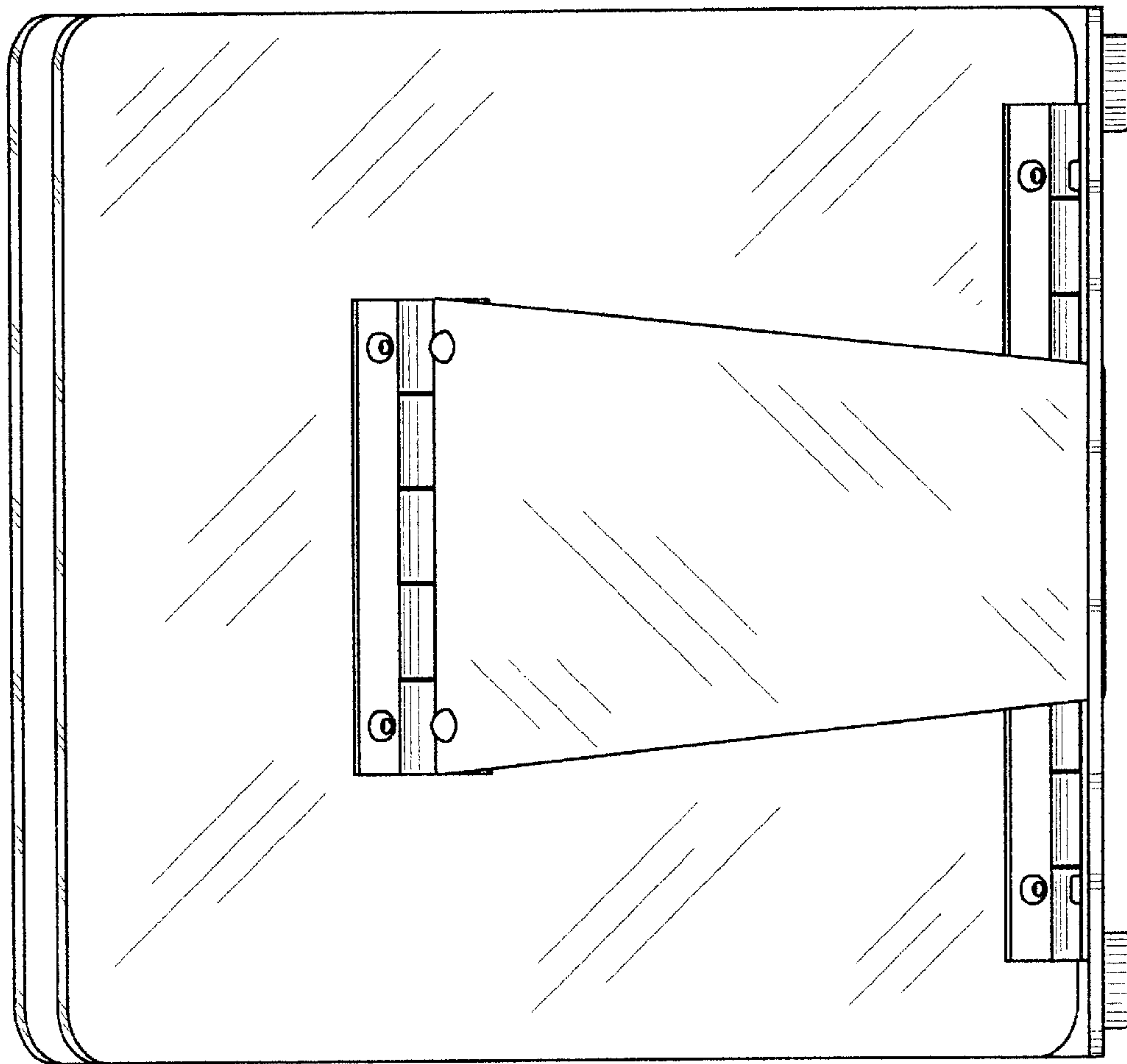


Fig. 5

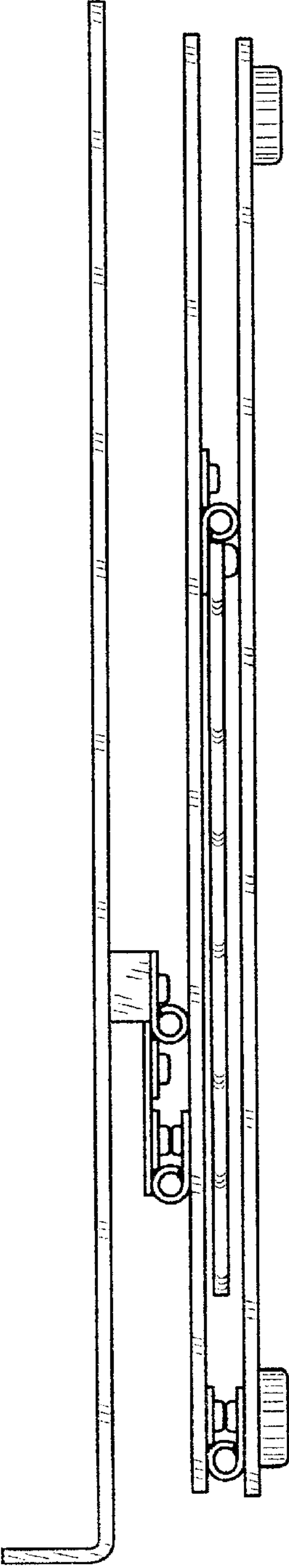


Fig. 6

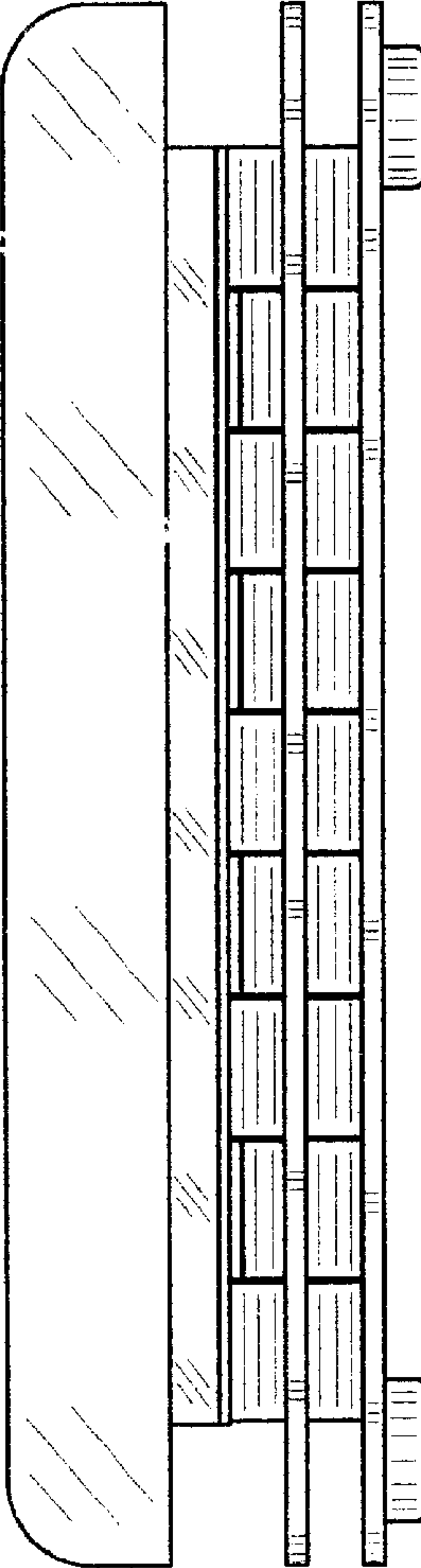


Fig. 7