

US00D521560S

(12) **United States Design Patent**
Paulus et al.

(10) **Patent No.:** **US D521,560 S**

(45) **Date of Patent:** **** May 23, 2006**

(54) **CORRECTION TAPE AND TRANSPARENT CAP**

(75) Inventors: **Lutz Paulus**, Neuss (DE); **Wulf Herrmannsen**, Ronnenberg (DE); **Anja Jansen**, Ratingen (DE); **Werner Moosmann**, Tennenbronn (DE)

(73) Assignee: **Henkel Kommanditgesellschaft auf Aktien**, Duesseldorf (DE)

(**) Term: **14 Years**

(21) Appl. No.: **29/212,296**

(22) Filed: **Aug. 30, 2004**

(30) **Foreign Application Priority Data**

Feb. 28, 2004 (DE) 4 04 01 292

(51) **LOC (8) Cl.** **19-02**

(52) **U.S. Cl.** **D19/69**

(58) **Field of Classification Search** D19/66,
D19/67, 68, 69, 70; 156/523, 527, 540, 577;
206/411; 225/6, 25, 39, 77; 242/588, 588.1,
242/588.2, 588.3, 588.6, 598.5
See application file for complete search history.

(56) **References Cited**

U.S. PATENT DOCUMENTS

D355,934 S	*	2/1995	Oga et al.	D19/69
D410,034 S	*	5/1999	Grobbe	D19/69
D410,494 S	*	6/1999	Hoffmann	D19/69
D421,059 S	*	2/2000	Shimizu	D19/69
6,098,911 A	*	8/2000	Sheldon	242/423.1
D436,625 S	*	1/2001	Katami	D19/69
D446,246 S	*	8/2001	Kimura	D19/69
D451,960 S	*	12/2001	Shimizu	D19/69
D456,450 S	*	4/2002	Kimura	D19/69
6,363,992 B1	*	4/2002	Semmler	156/577
6,453,969 B1	*	9/2002	Ferrara	156/577

D466,554 S	*	12/2002	Yonezawa et al.	D19/67
D467,280 S	*	12/2002	Van Zuthem-Maasdam et al.	D19/66
D467,617 S	*	12/2002	Soetewey	D19/69
D475,745 S	*	6/2003	Ono	D19/69
D476,035 S	*	6/2003	Katami	D19/69
D491,986 S	*	6/2004	Bain	D19/69
D494,221 S	*	8/2004	Suzuki	D19/69

* cited by examiner

Primary Examiner—Caron D. Veynar

Assistant Examiner—Elizabeth Albert

(74) *Attorney, Agent, or Firm*—Stephen D. Harper; Glenn E. J. Murphy

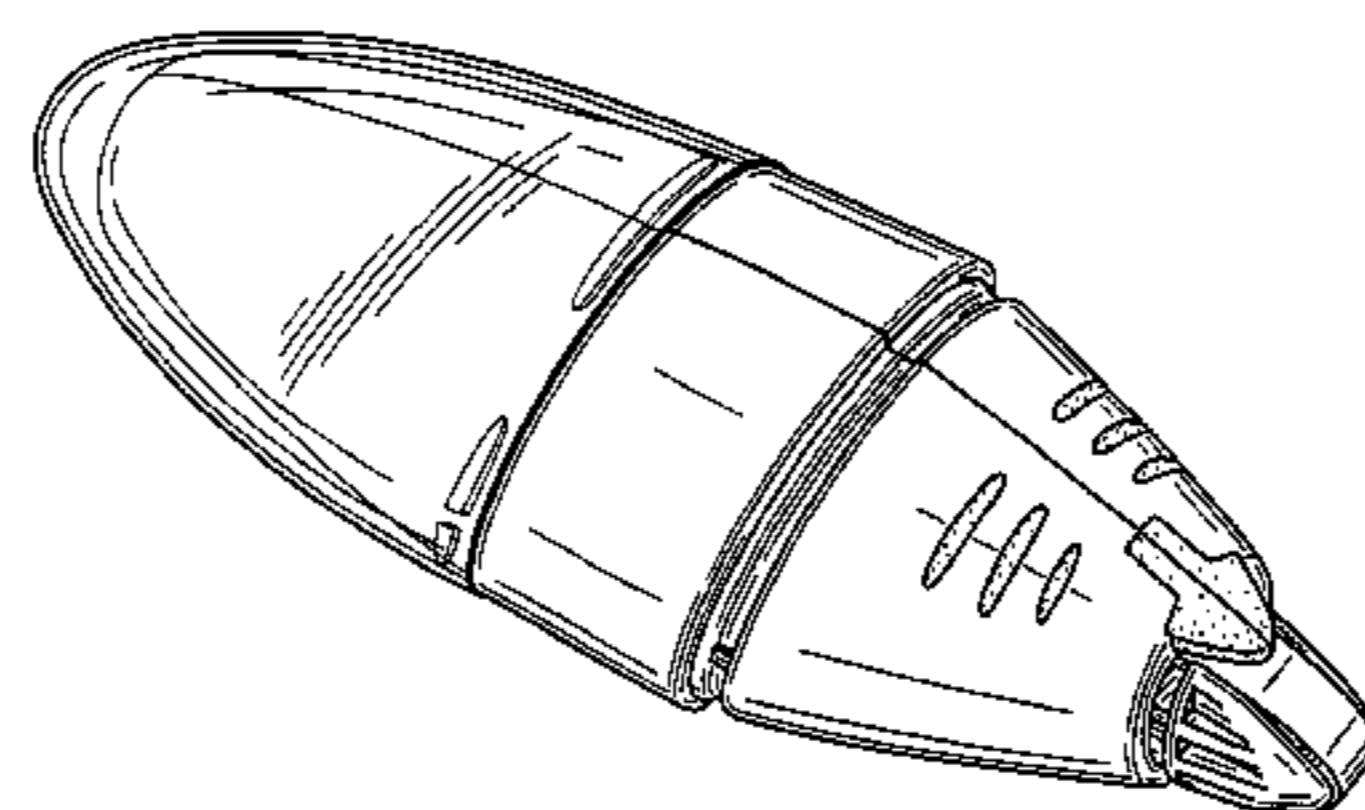
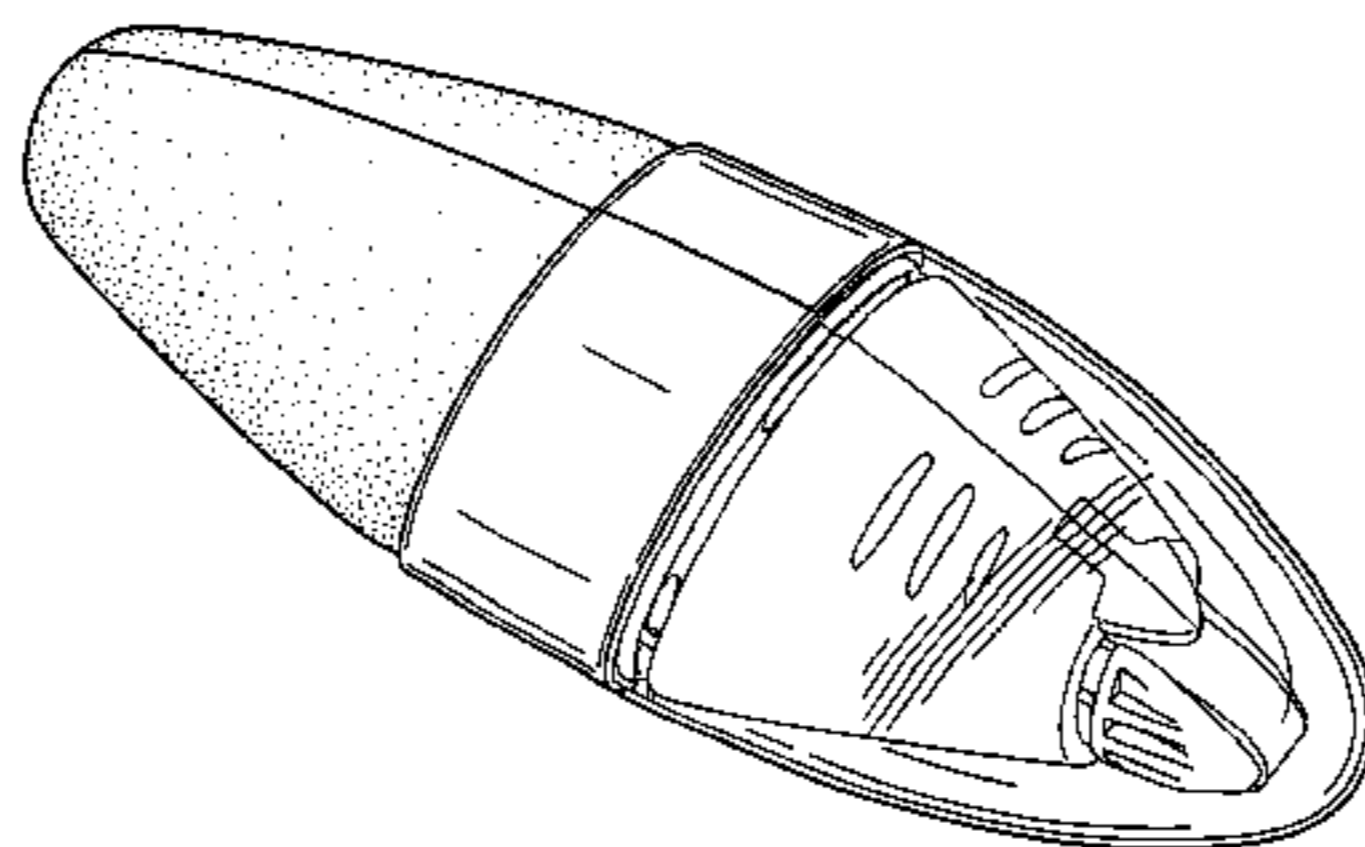
(57) **CLAIM**

The ornamental design for a correction tape and transparent cap, as shown and described.

DESCRIPTION

FIG. 1 is a top left perspective view of the correction tape shown with the transparent cap in closed position covering the transfer head on the front showing our new design; FIG. 2 is a left elevation view thereof; FIG. 3 is a right elevation view thereof; FIG. 4 is a top plan view thereof; FIG. 5 is a bottom plan view thereof; FIG. 6 is a front elevation view thereof; and FIG. 7 is a rear elevation view thereof. FIG. 8 is a top left perspective view of the correction tape of FIG. 1 shown with the transparent cap mounted on the rear handle portion; FIG. 9 is a left elevation view thereof; FIG. 10 is a right elevation view thereof; FIG. 11 is a top plan view thereof; FIG. 12 is a bottom plan view thereof; FIG. 13 is a front elevation view thereof; and, FIG. 14 is a rear elevation view thereof.

1 Claim, 6 Drawing Sheets



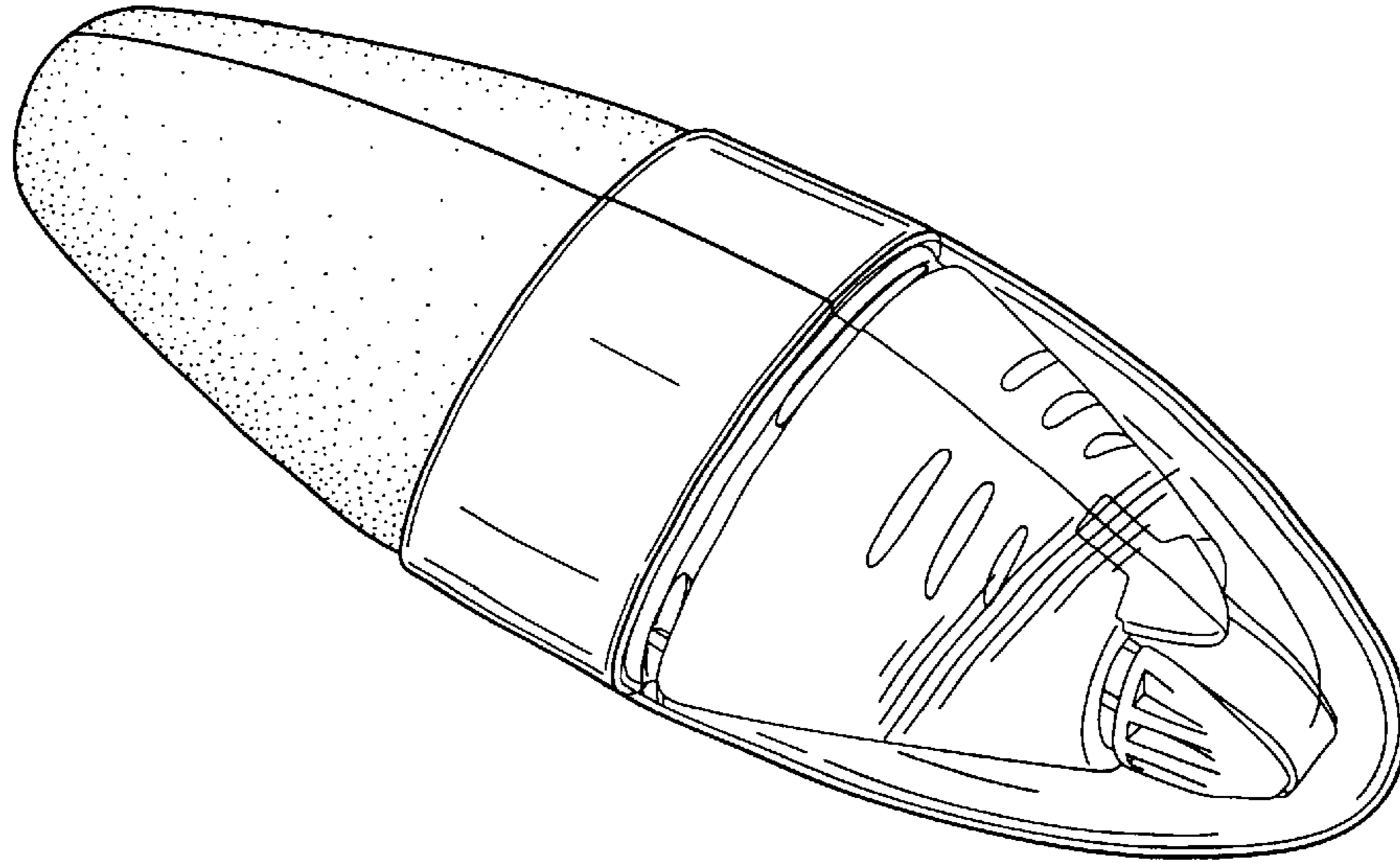


FIG. 1

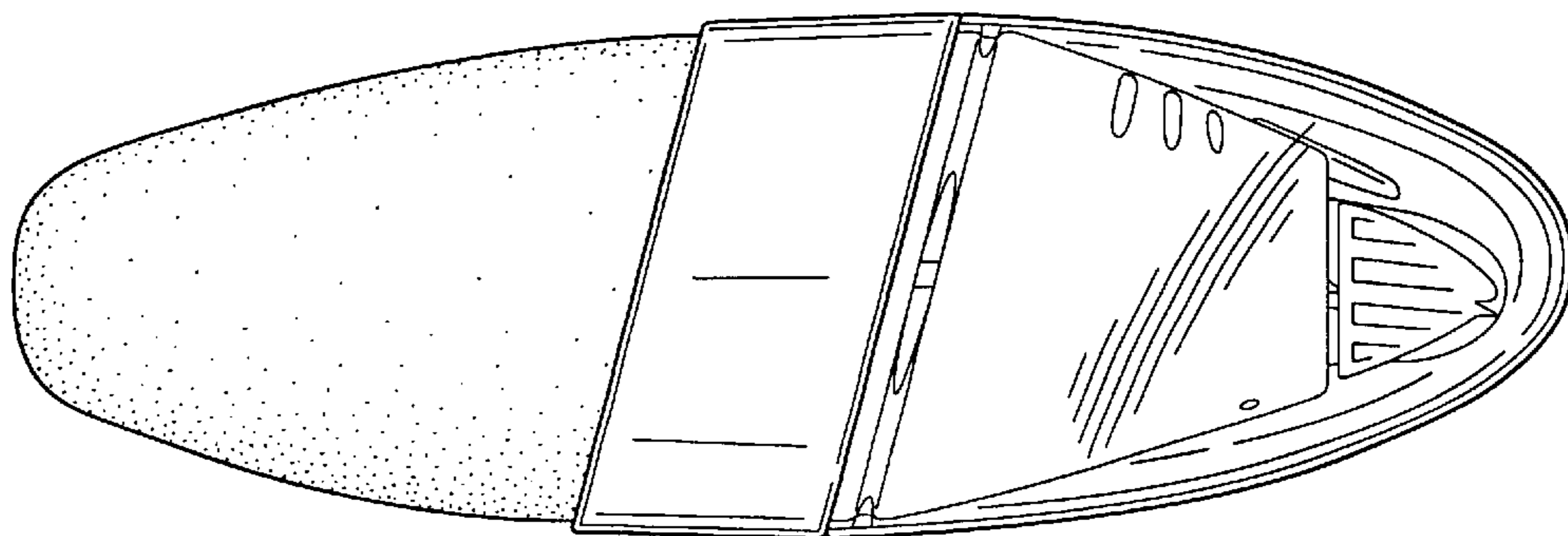


FIG. 2

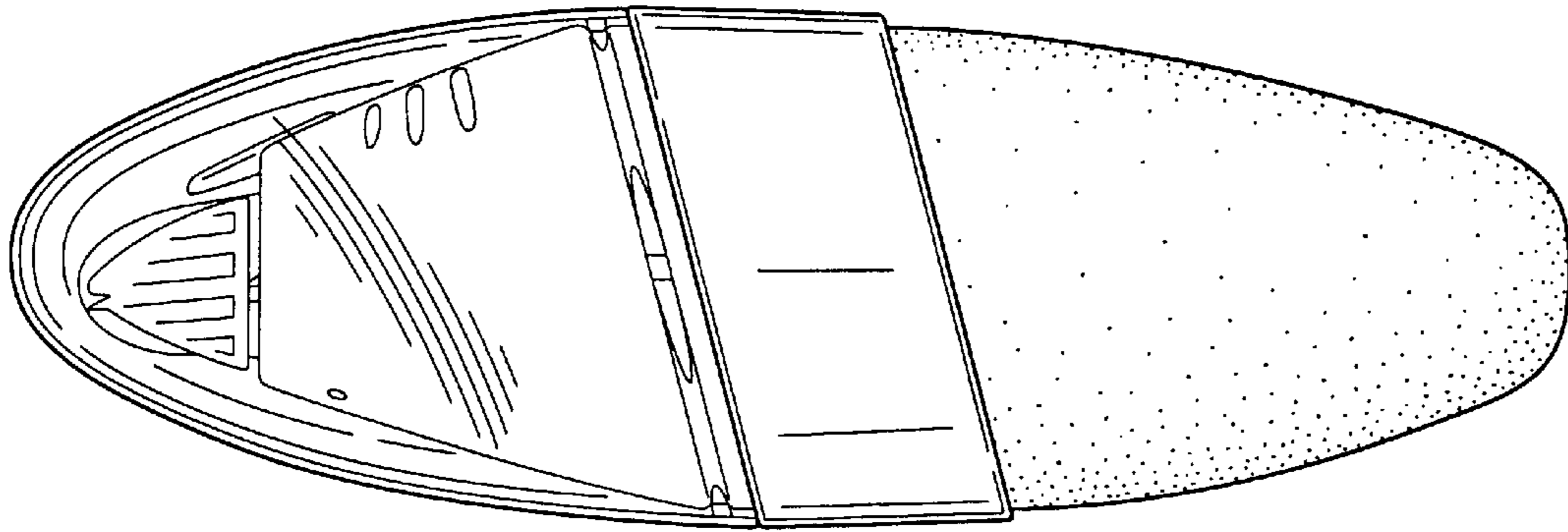


FIG. 3

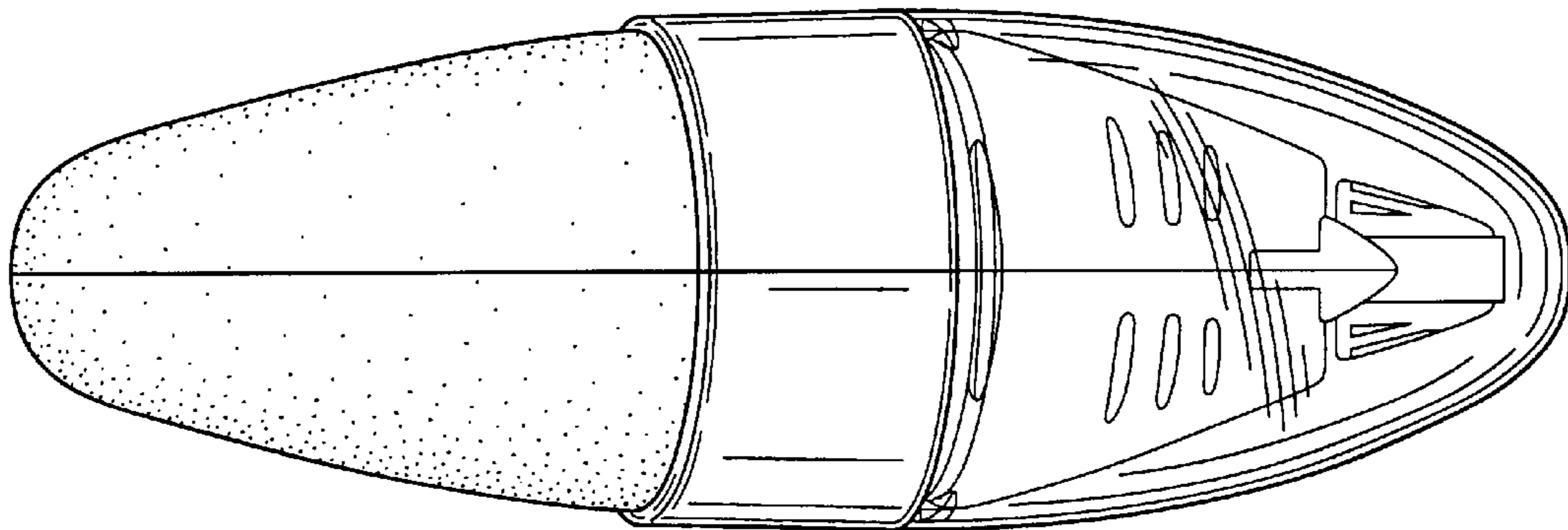


FIG. 4

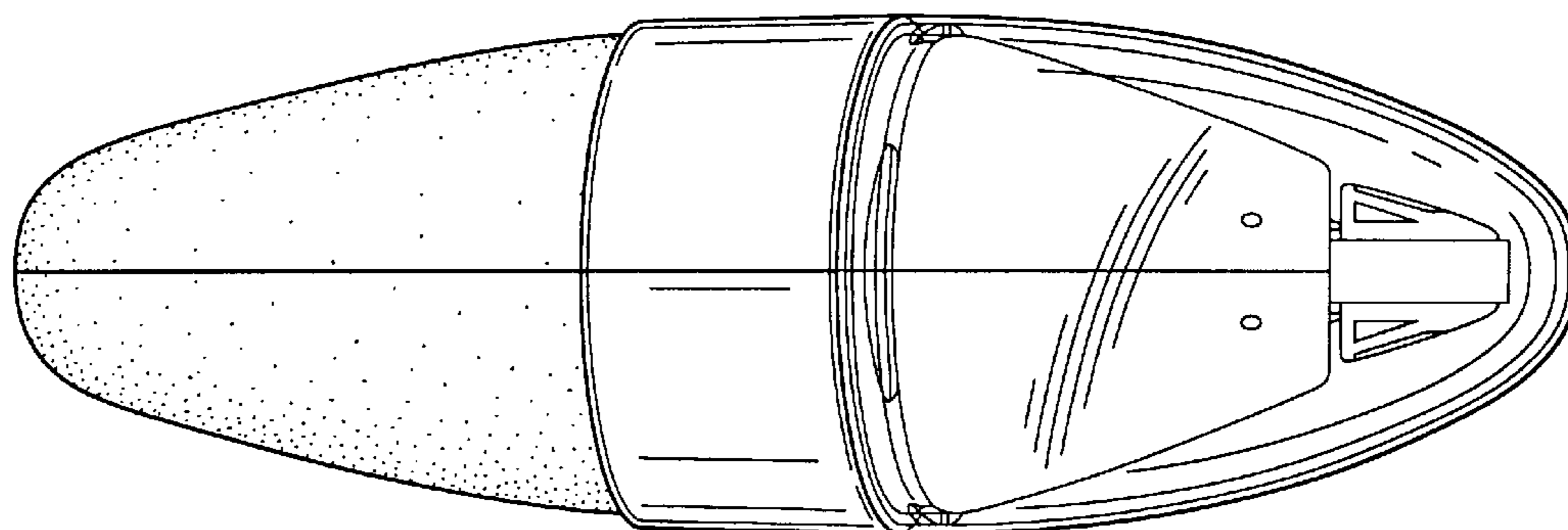


FIG. 5

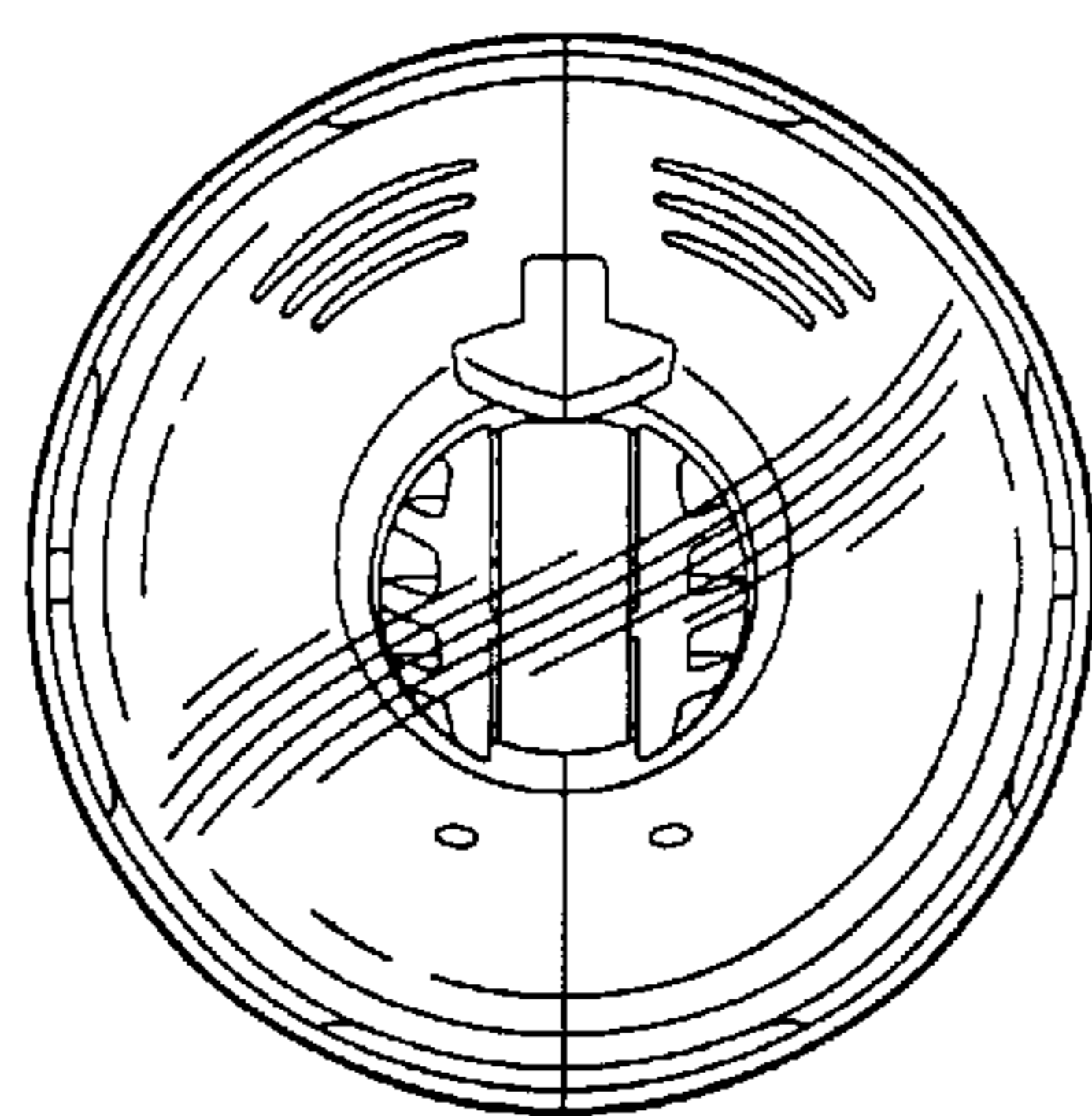


FIG. 6

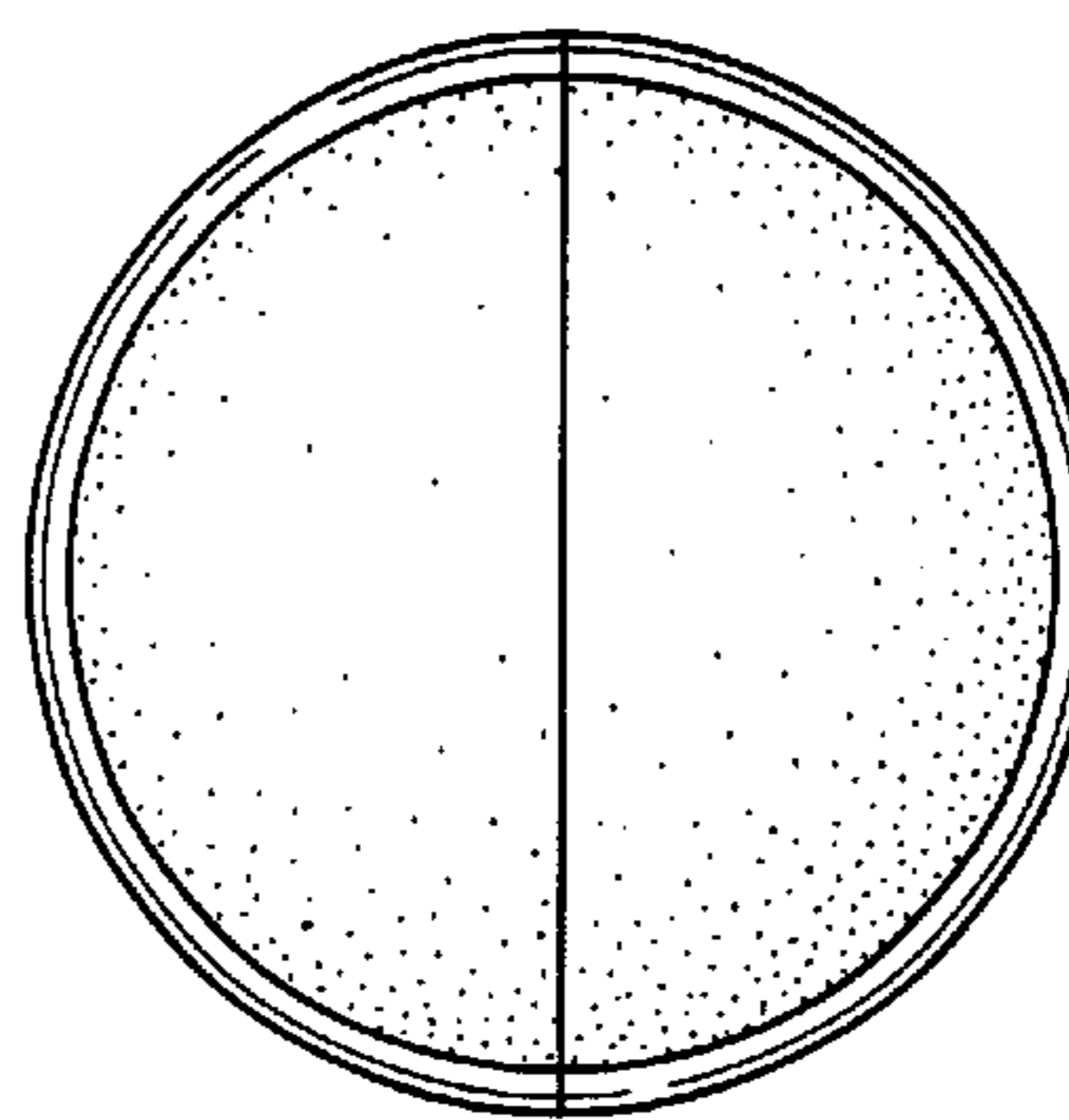


FIG. 7

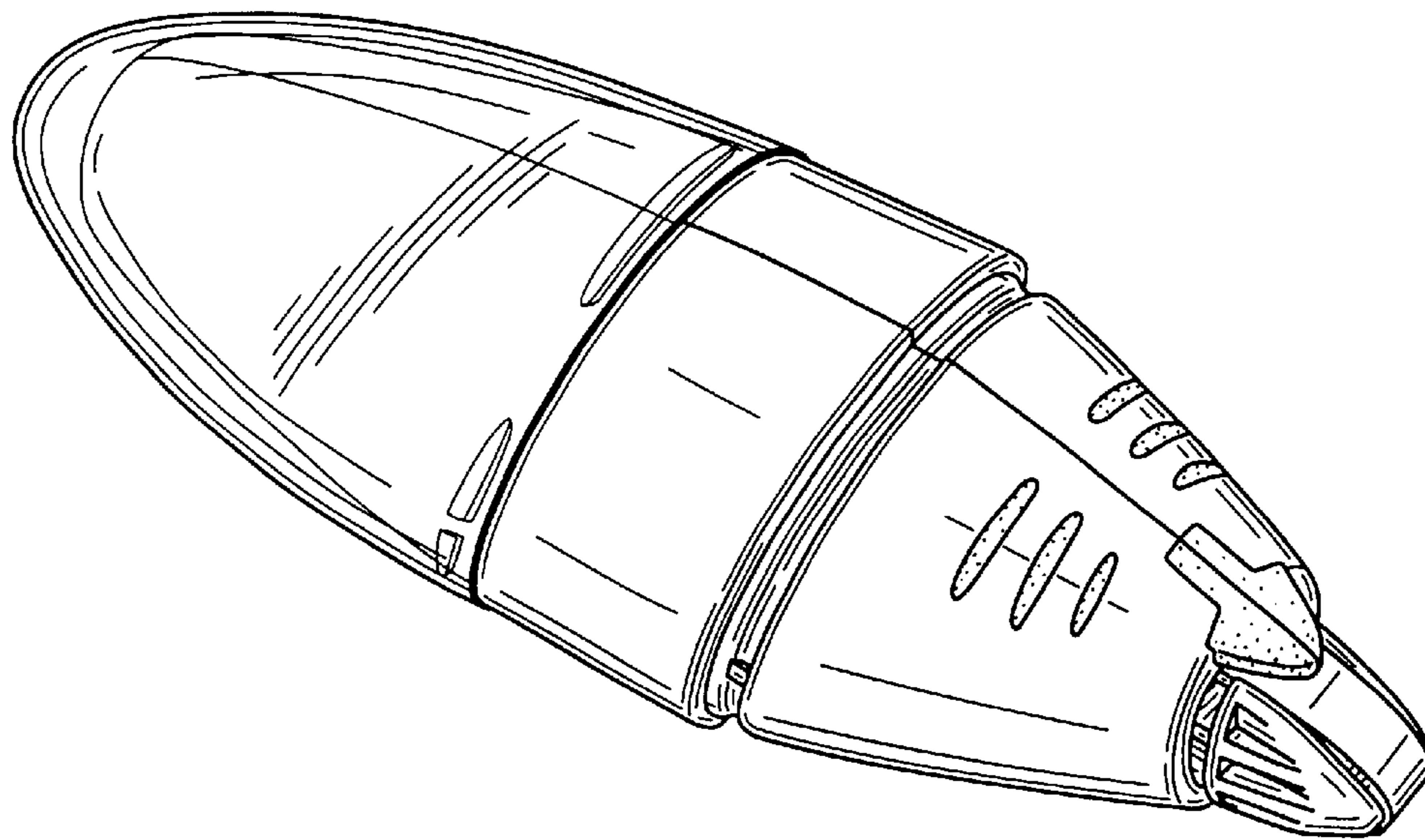


FIG. 8

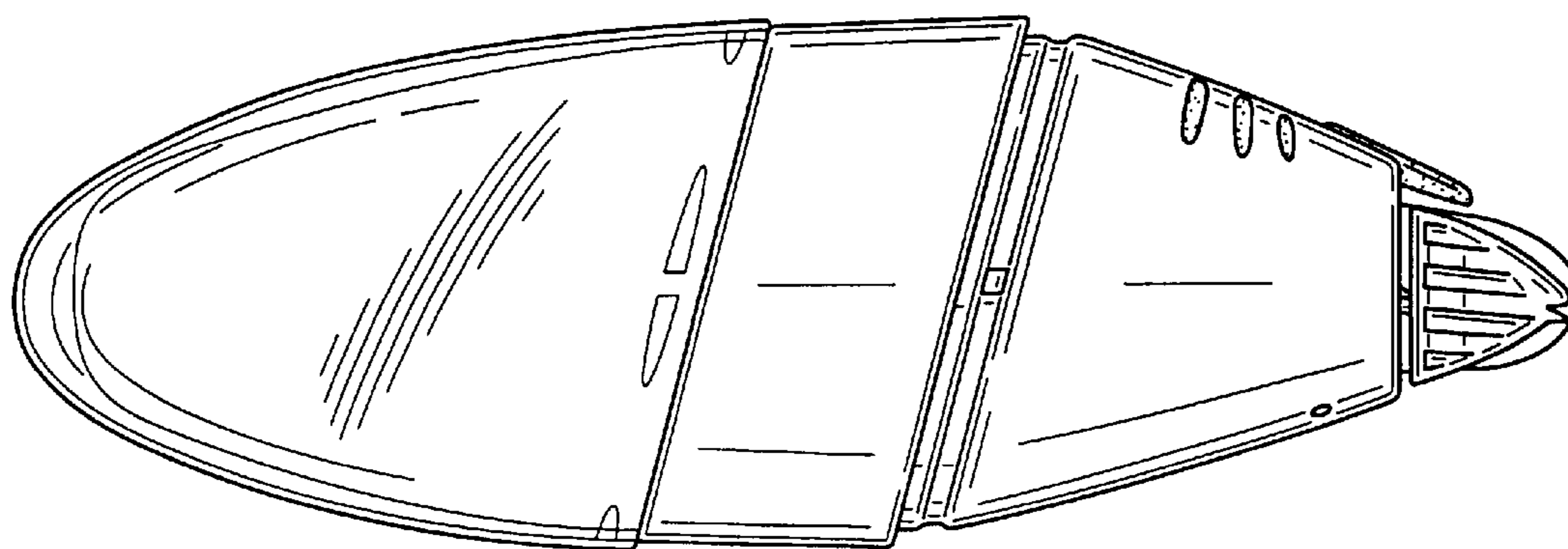


FIG. 9

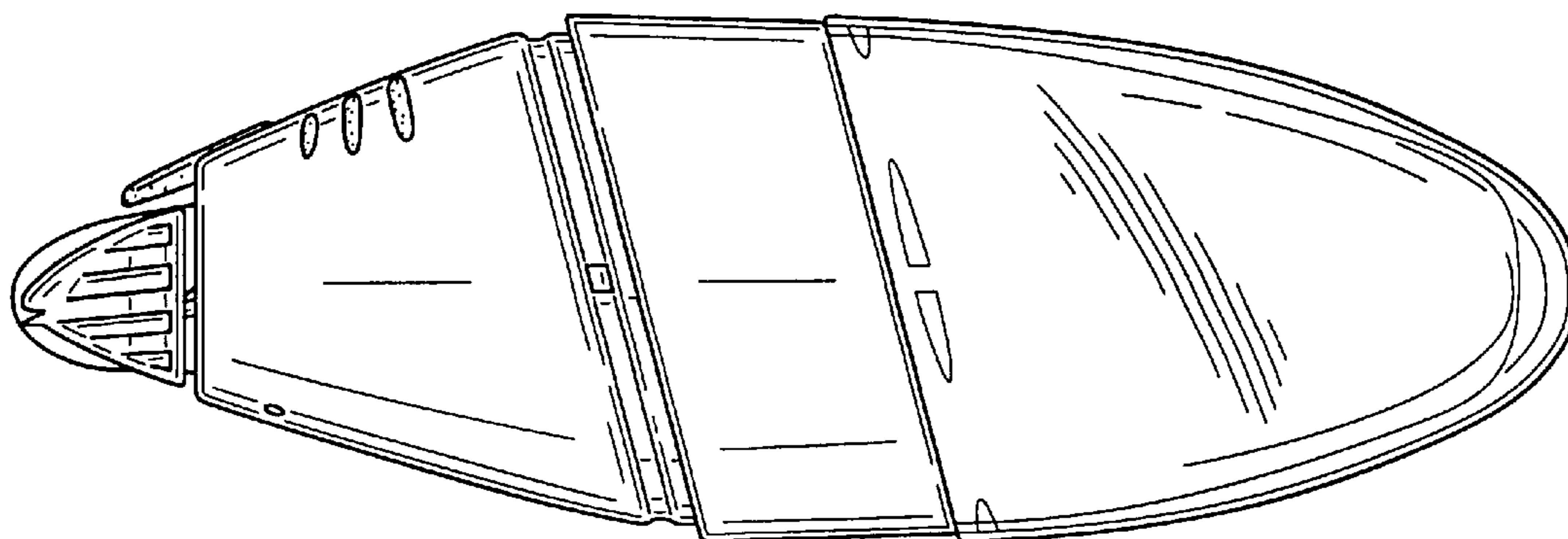


FIG. 10

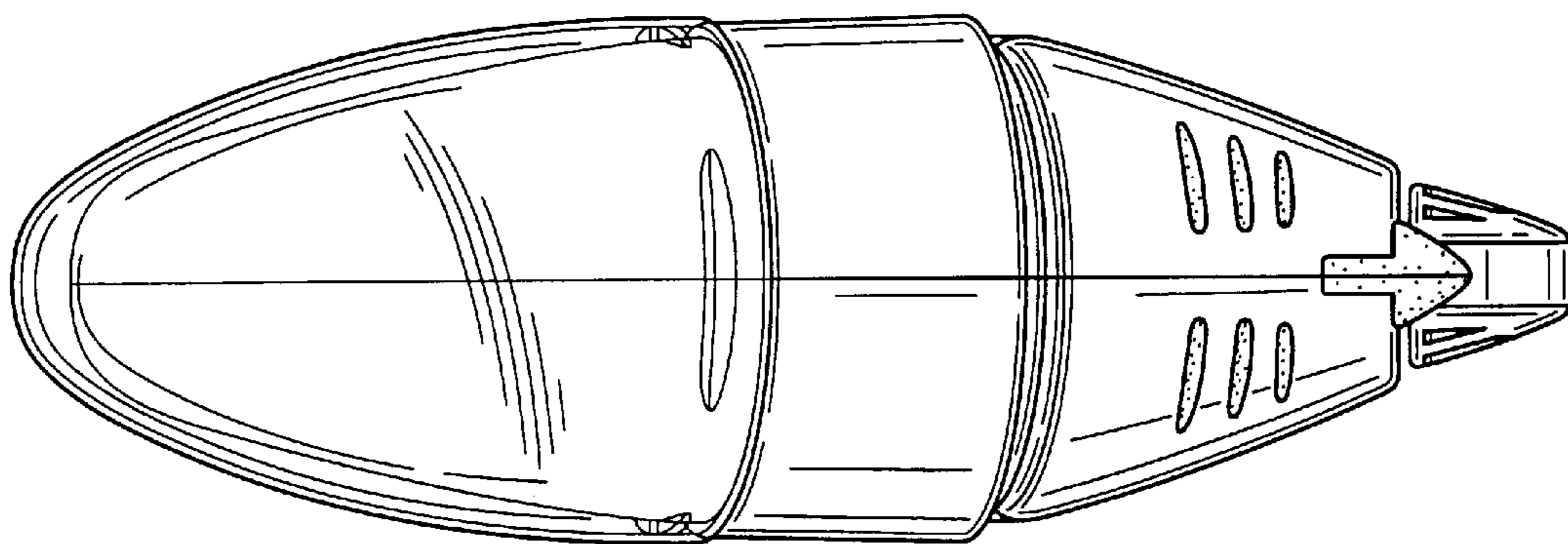


FIG. 11

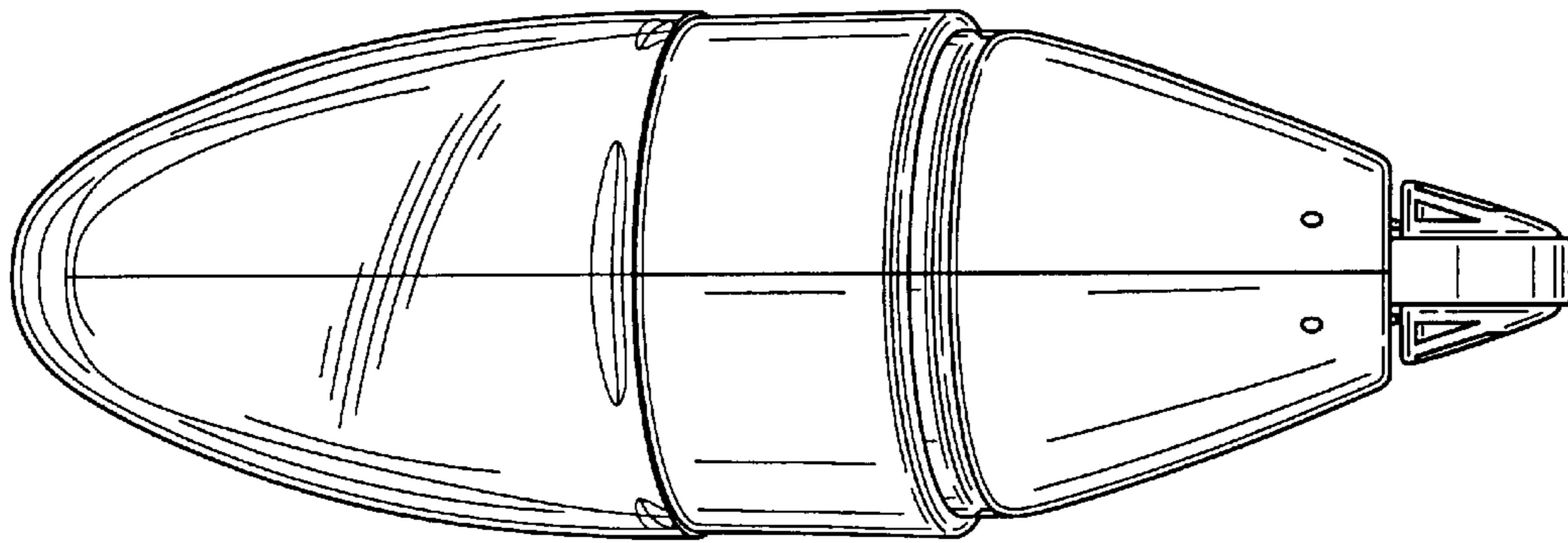


FIG. 12

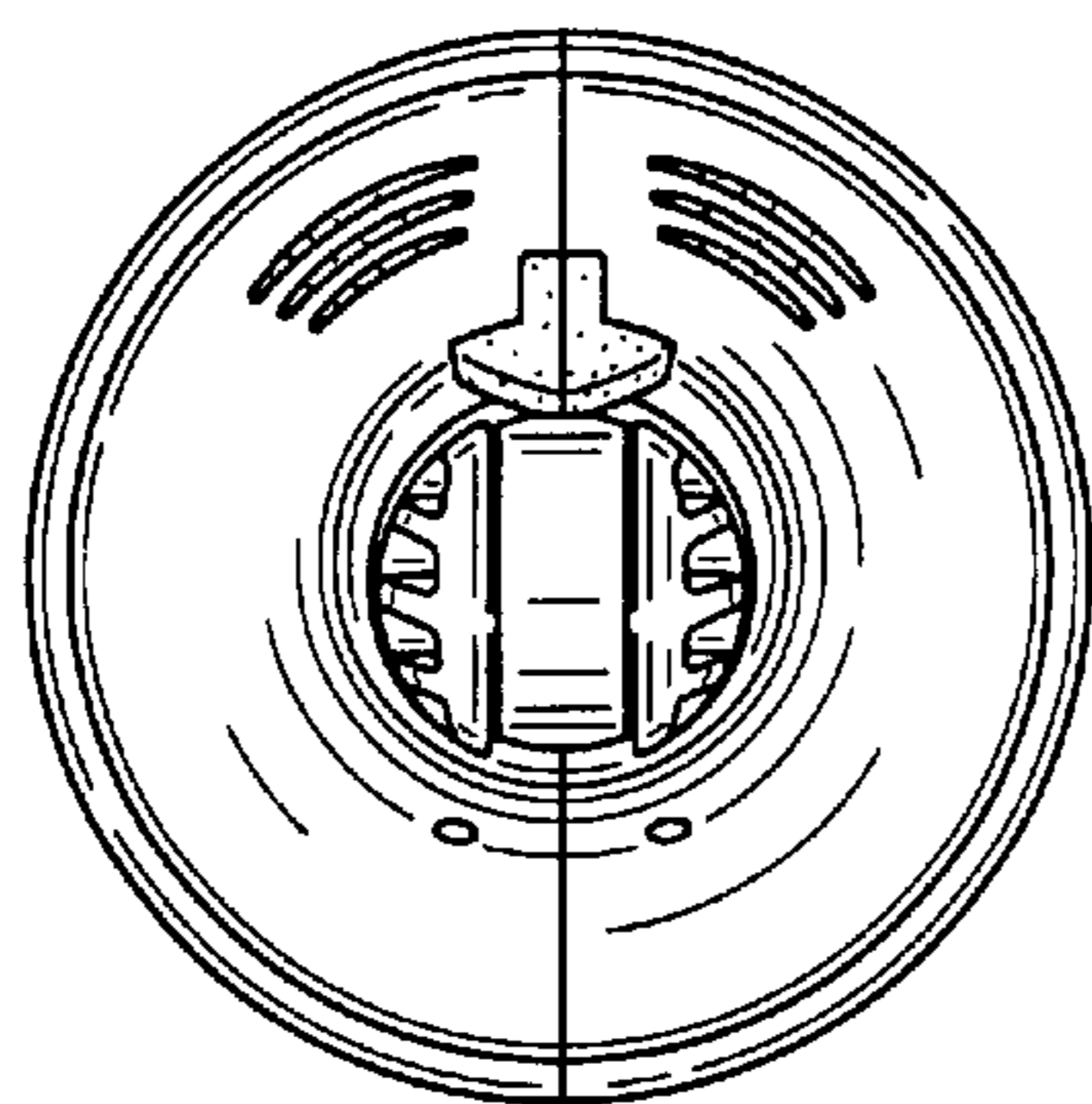


FIG. 13

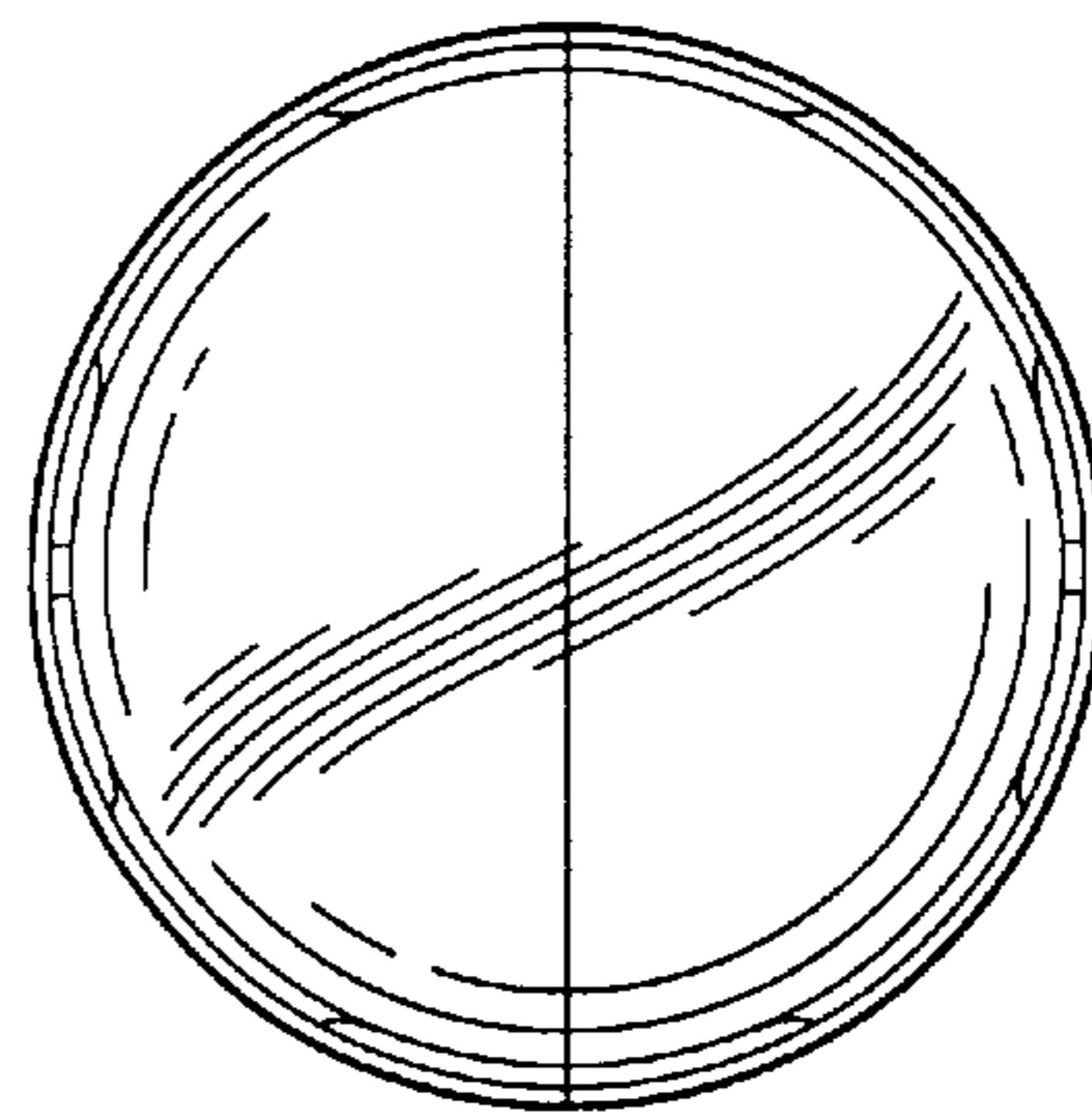


FIG. 14