

US00D521558S

(12) **United States Design Patent**
Shimizu

(10) **Patent No.:** **US D521,558 S**

(45) **Date of Patent:** **** May 23, 2006**

(54) **BOARD FOR AN ELECTRONIC
HANDWRITING SYSTEM**

6,816,152 B1 * 11/2004 Yanagisawa 345/173
D504,889 S * 5/2005 Andre et al. D14/341

(75) Inventor: **Kazuhisa Shimizu**, Tokyo (JP)

* cited by examiner

(73) Assignee: **Pentel Kabushiki Kaisha**, Tokyo (JP)

Primary Examiner—Caron D. Veynar

Assistant Examiner—Elizabeth Albert

(**) Term: **14 Years**

(74) *Attorney, Agent, or Firm*—Adams & Wilks

(21) Appl. No.: **29/226,016**

(57) **CLAIM**

(22) Filed: **Mar. 23, 2005**

The ornamental design for a board for an electronic hand-
writing system, as shown and described.

(30) **Foreign Application Priority Data**

DESCRIPTION

Sep. 27, 2004 (JP) 2004-029018

(51) **LOC (8) Cl.** **19-06**

(52) **U.S. Cl.** **D19/52**

(58) **Field of Classification Search** 382/187,
382/189; D19/36, 52; D20/10, 42; 40/1, 124.01,
40/611.02; 434/408, 409, 415, 417, 421,
434/422, 425, 428; 178/18.03; D14/341,
D14/389, 434

See application file for complete search history.

FIG. 1 is a perspective view of a board for an electronic
handwriting system showing my new design;
FIG. 2 is a top plan view thereof;
FIG. 3 is a bottom plan view thereof;
FIG. 4 is a right side elevational view thereof;
FIG. 5 is a left side elevational view thereof;
FIG. 6 is a front elevational view thereof; and
FIG. 7 is a rear elevational view thereof.
FIG. 8 is a sectional view taken along line 8—8 in FIG. 2;
FIG. 9 is a sectional view taken along line 9—9 in FIG. 2;
FIG. 10 is a sectional view taken along line 10—10 in FIG.
2; and,
FIG. 11 is a sectional view taken along line 11—11 in FIG.
2.

(56) **References Cited**

U.S. PATENT DOCUMENTS

D313,409 S * 1/1991 Chowdhree et al. D14/389
D405,472 S * 2/1999 Kim D20/10
6,241,528 B1 * 6/2001 Myers 434/408

1 Claim, 3 Drawing Sheets

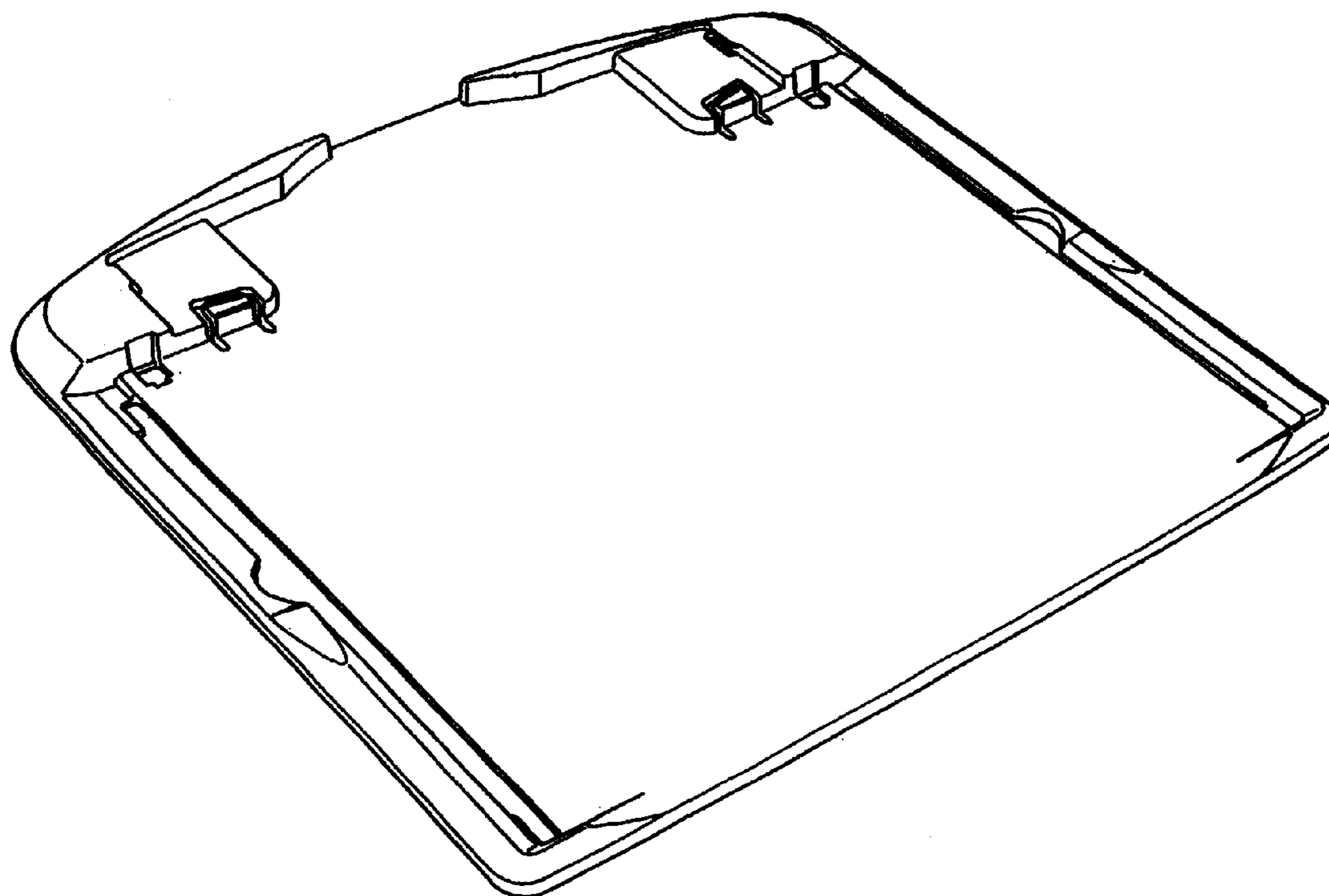


FIG. 1

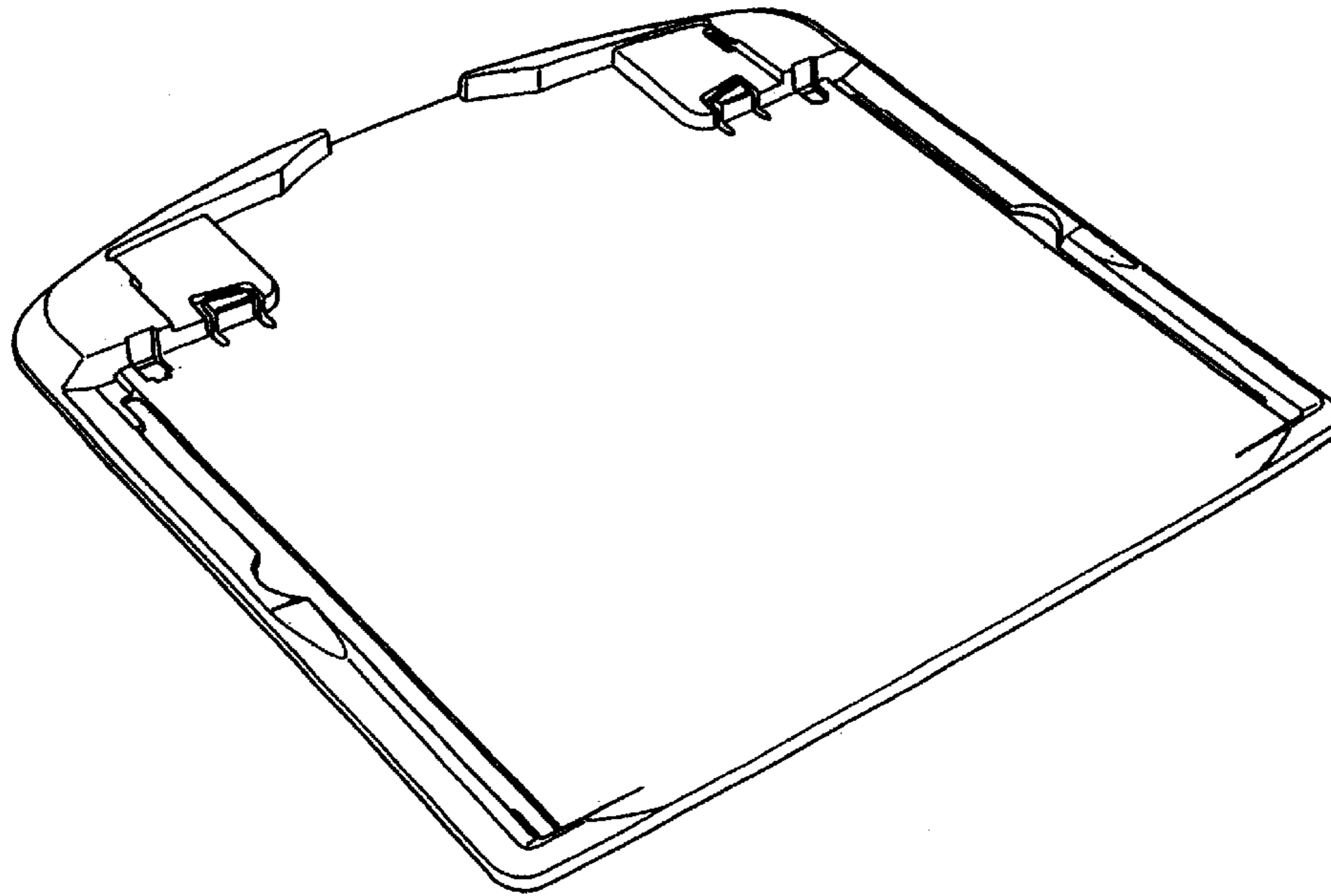


FIG. 2

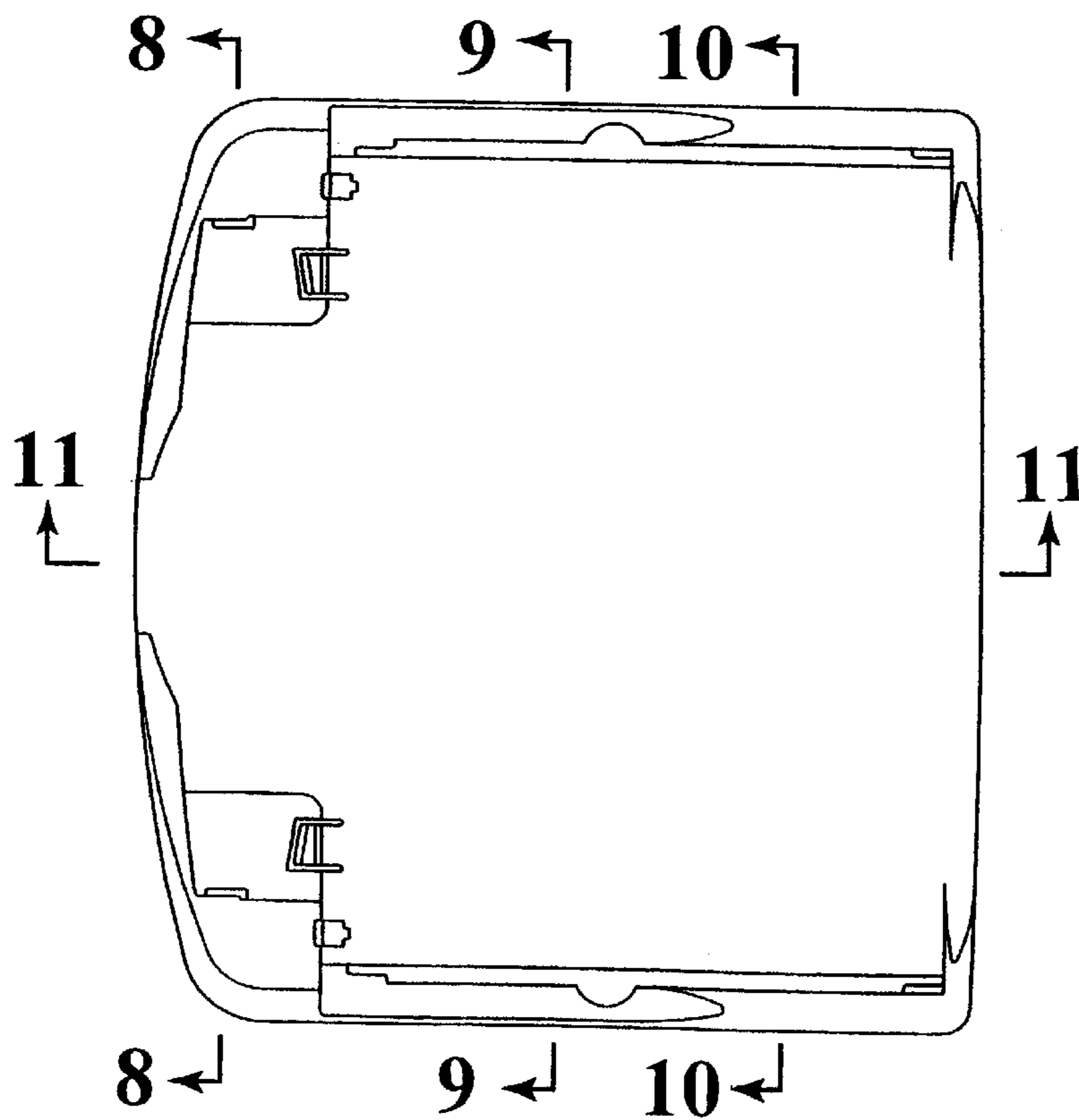


FIG. 3

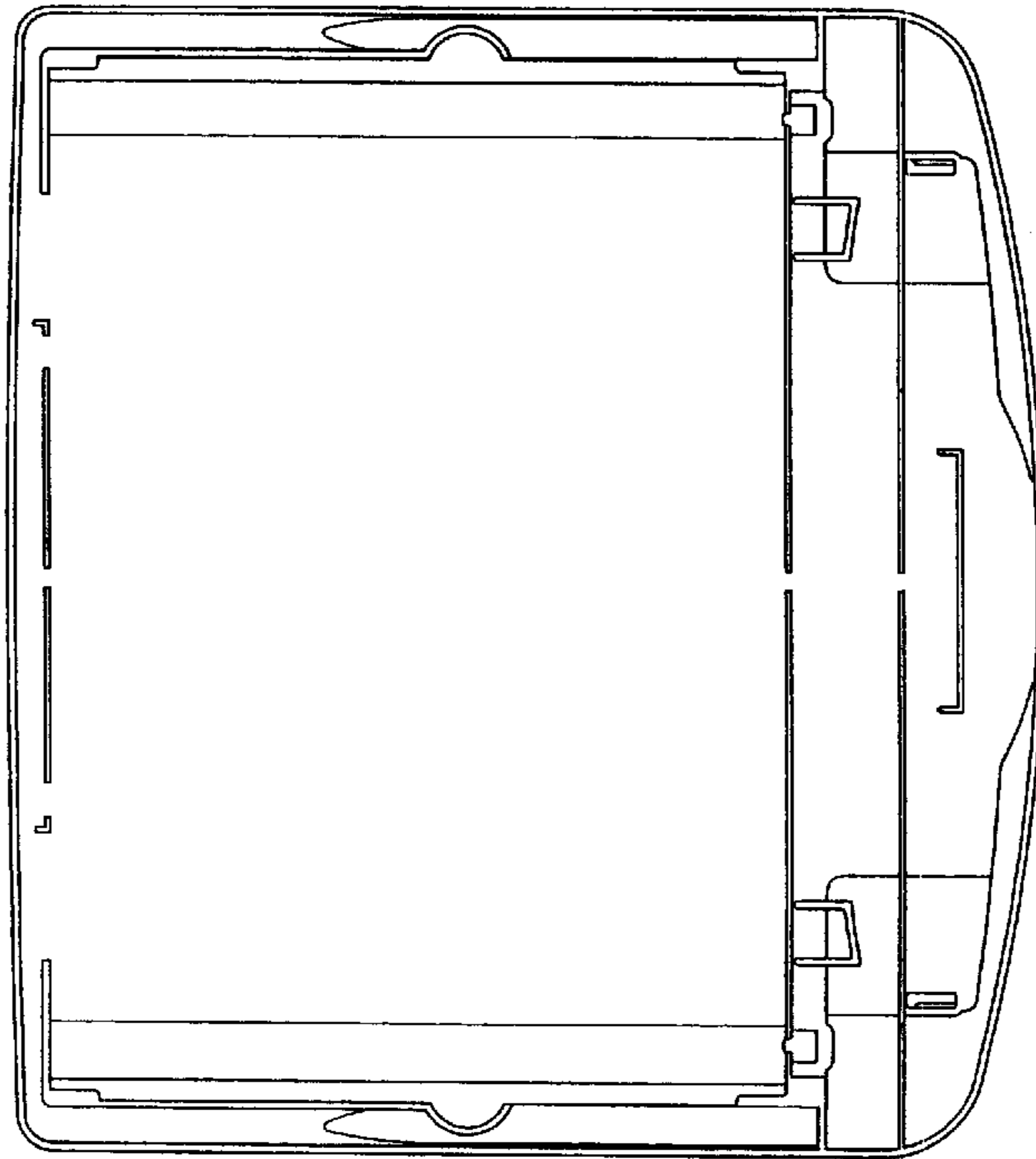


FIG. 4



FIG. 5



FIG. 6

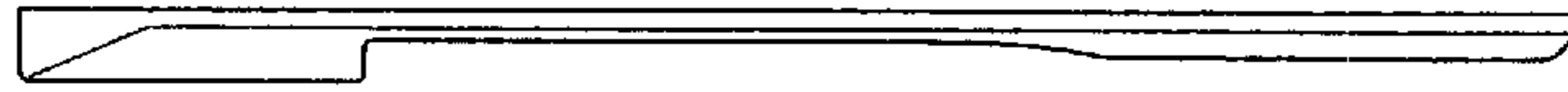


FIG. 7

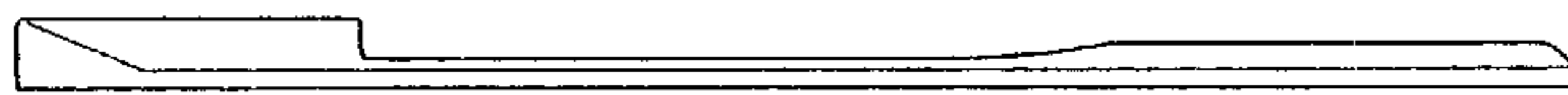


FIG. 8



FIG. 9

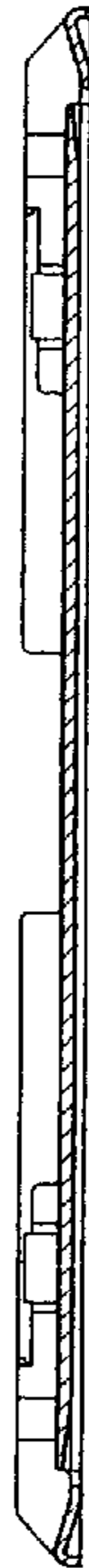


FIG. 10

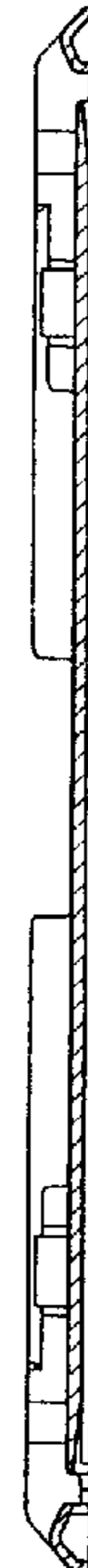


FIG. 11

