

US00D521549S

(12) **United States Design Patent**  
**Sasaki et al.**

(10) **Patent No.:** **US D521,549 S**

(45) **Date of Patent:** **\*\* May 23, 2006**

(54) **INK CARTRIDGE**

(75) Inventors: **Toyonori Sasaki**, Anjo (JP); **Shingo Hattori**, Tsushima (JP)

(73) Assignee: **Brother Industries, Ltd.**, Nagoya (JP)

(\*\*) Term: **14 Years**

(21) Appl. No.: **29/209,012**

(22) Filed: **Jul. 12, 2004**

(30) **Foreign Application Priority Data**

Feb. 6, 2004 (JP) ..... 2004-003078

(51) **LOC (8) Cl.** ..... **18-02**

(52) **U.S. Cl.** ..... **D18/56; 347/86**

(58) **Field of Classification Search** ..... D18/40,  
D18/43, 56; 347/33, 49, 50, 86-87; 399/110  
See application file for complete search history.

(56) **References Cited**

**U.S. PATENT DOCUMENTS**

D356,333 S \* 3/1995 Pearce et al. .... D18/56

D377,047 S \* 12/1996 Ishizawa et al. .... D18/56

D416,573 S \* 11/1999 Hmelar et al. .... D18/56

D428,438 S \* 7/2000 Hmelar et al. .... D18/56

D428,915 S \* 8/2000 Hmelar et al. .... D18/56

D430,897 S \* 9/2000 Bishop et al. .... D18/56

D442,219 S \* 5/2001 Chou et al. .... D18/56

D443,639 S \* 6/2001 Chou et al. .... D18/56

D449,335 S \* 10/2001 Giles et al. .... D18/56

D456,835 S \* 5/2002 Nanjo et al. .... D18/56

D462,089 S \* 8/2002 Trafton et al. .... D18/56

D464,081 S \* 10/2002 Nanjo et al. .... D18/56

\* cited by examiner

*Primary Examiner*—Cathy Anne MacCormac

(74) *Attorney, Agent, or Firm*—Oliff & Berridge, PLC

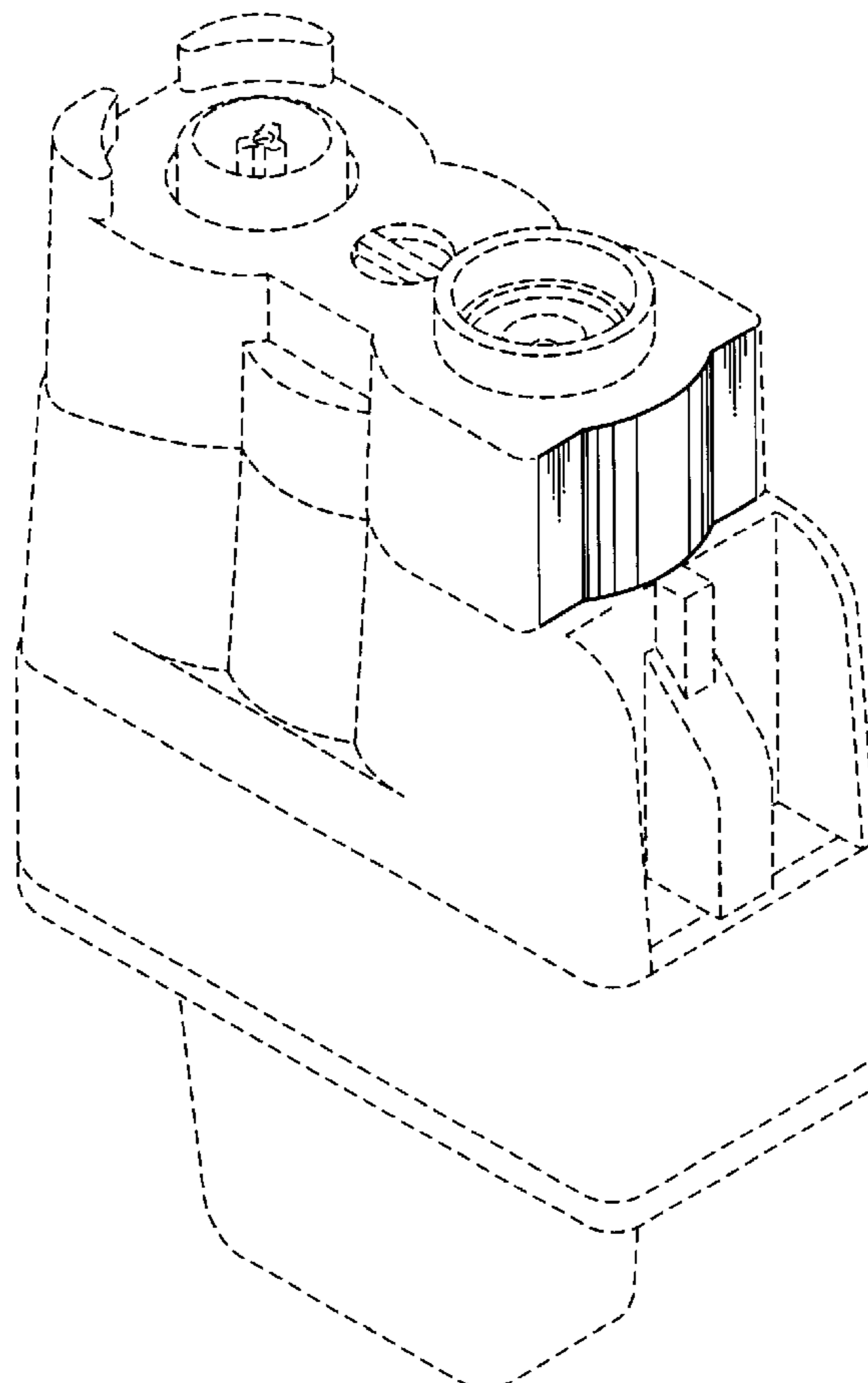
(57) **CLAIM**

The ornamental design for an ink cartridge, as shown and described.

**DESCRIPTION**

FIG. 1 is a perspective view of an ink cartridge;  
FIG. 2 is a front view thereof;  
FIG. 3 is a top view thereof;  
FIG. 4 is a right-side view thereof; and,  
FIG. 5 is a rear view thereof.  
The broken lines are for illustrative purposes only and do not form part of the claimed design.

**1 Claim, 3 Drawing Sheets**



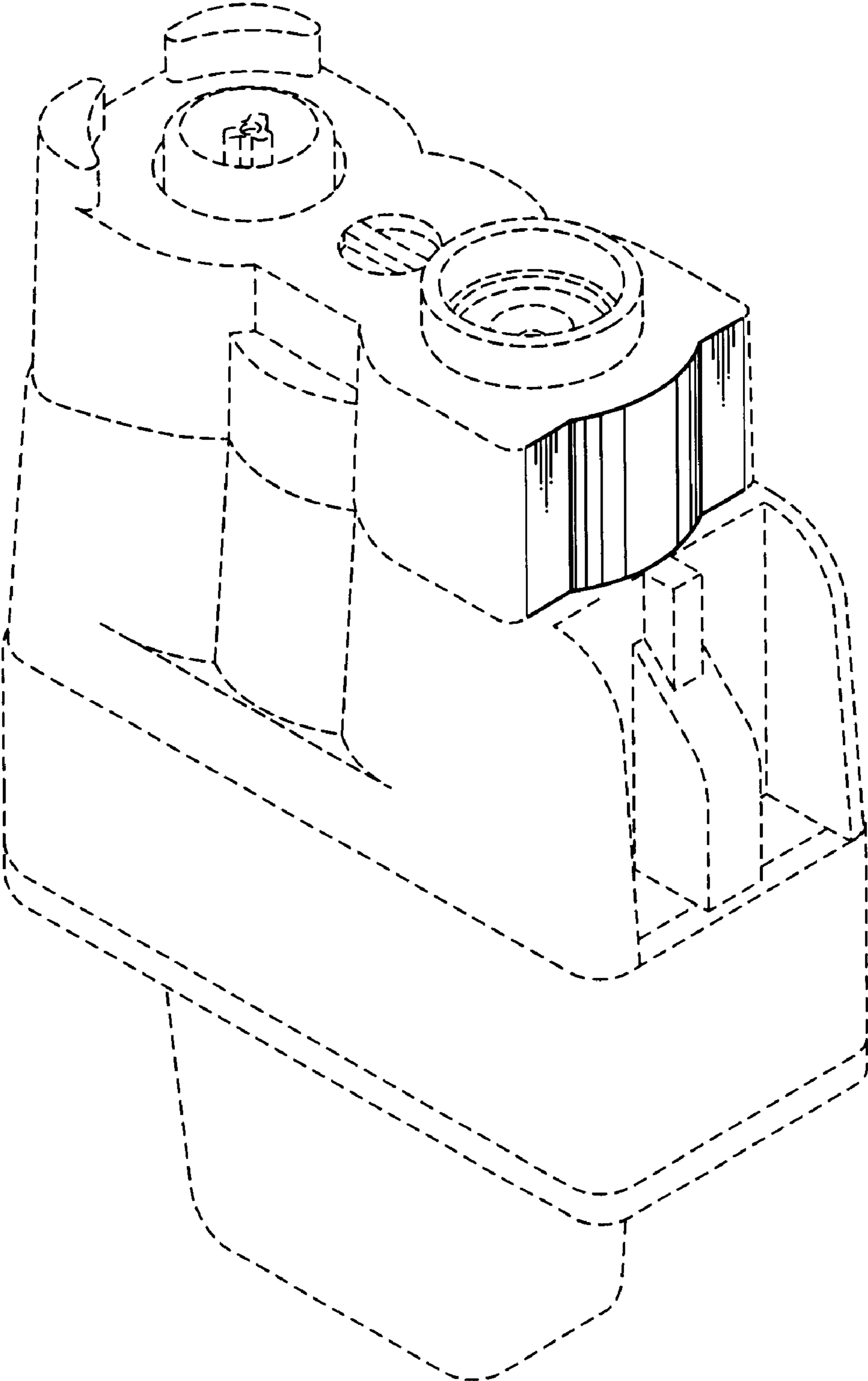


FIG. 1

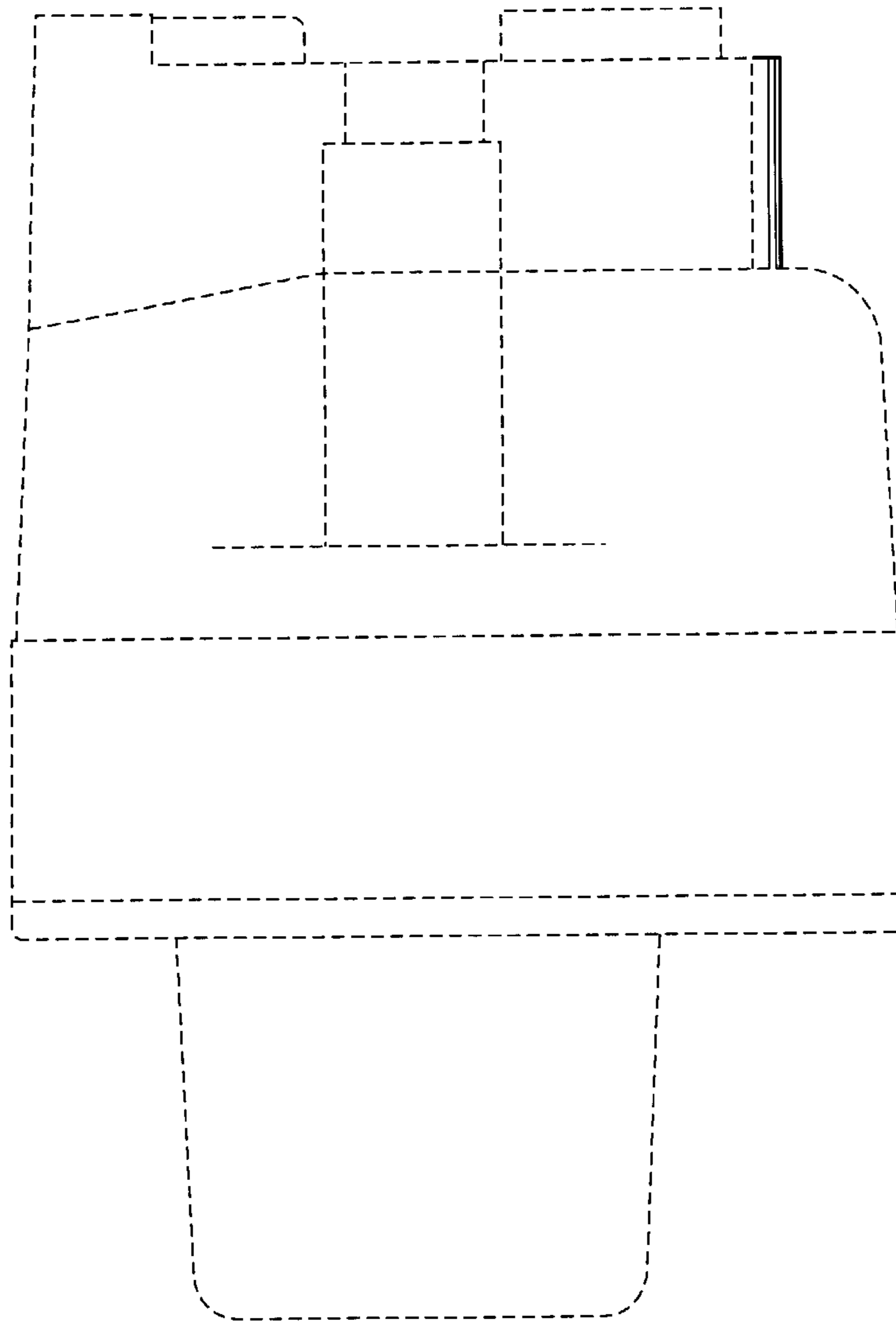


FIG. 2

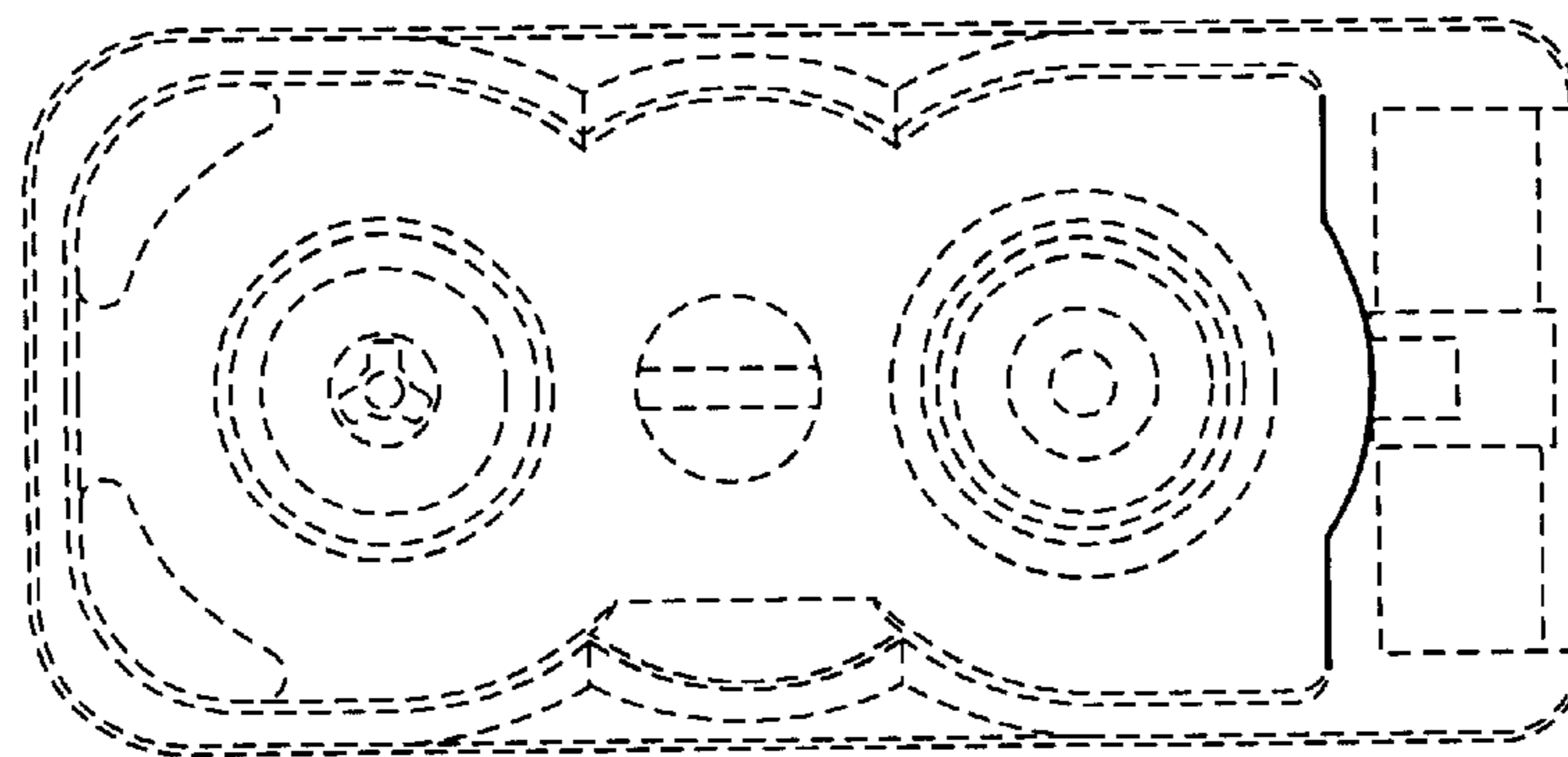


FIG. 3

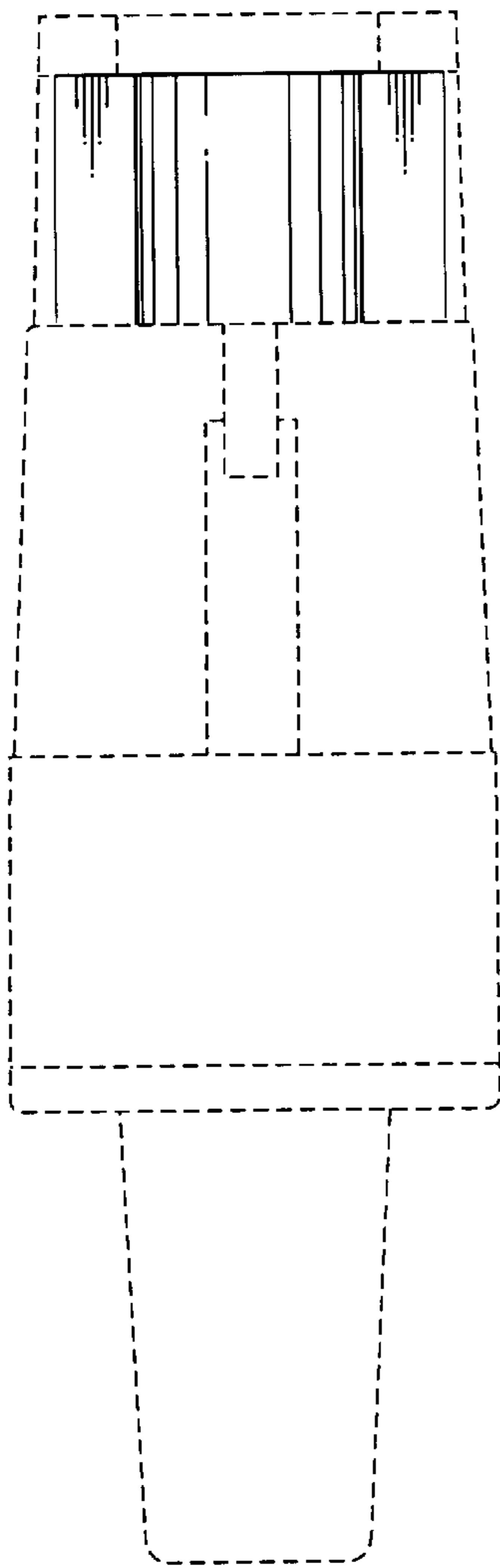


FIG. 4

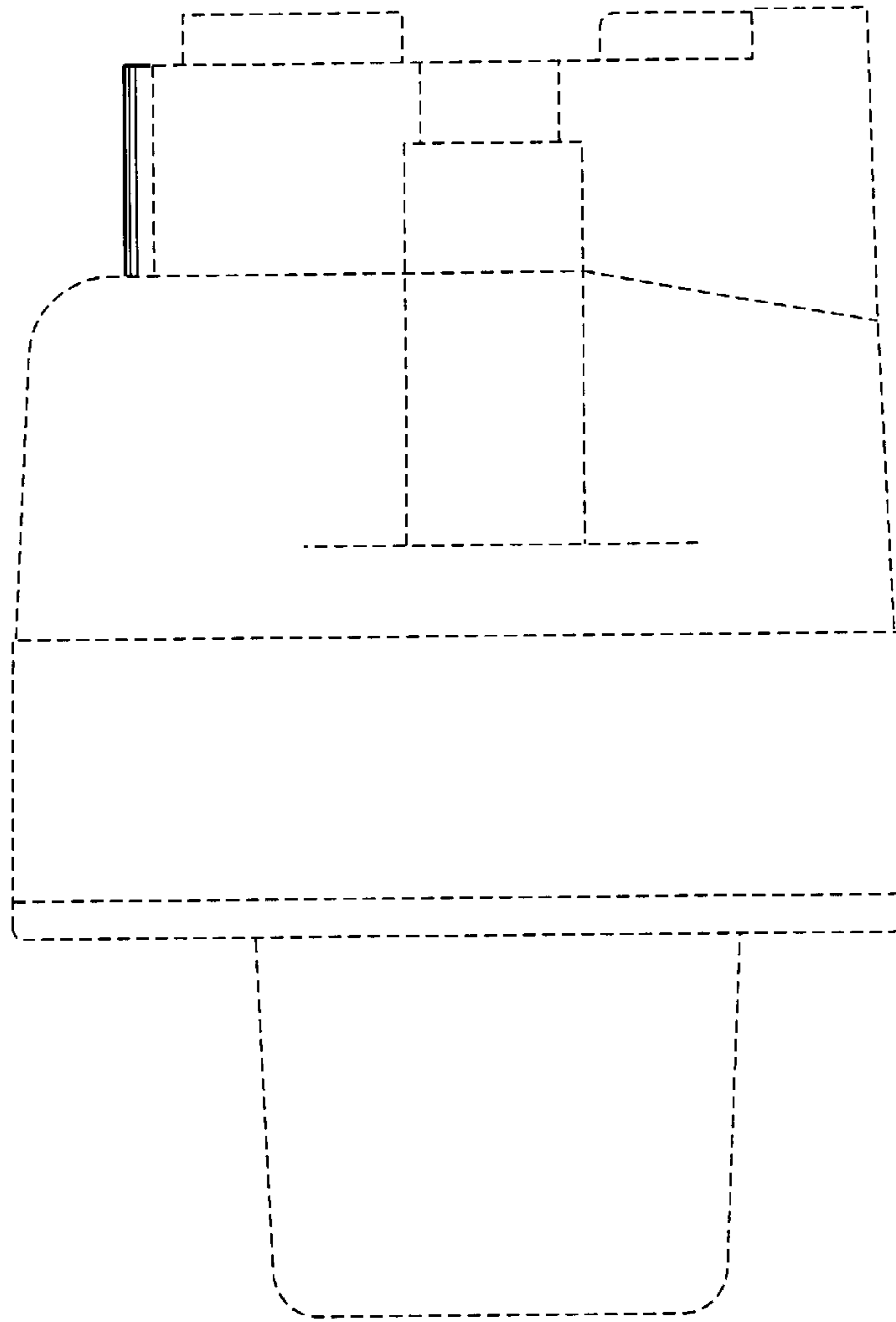


FIG. 5