



US00D521545S

(12) **United States Design Patent**  
**Ishii et al.**

(10) **Patent No.:** **US D521,545 S**  
(45) **Date of Patent:** **\*\* May 23, 2006**

(54) **PHOTOSENSITIVE DRUM UNIT**  
(75) Inventors: **Makoto Ishii**, Nagoya (JP); **Fumio Morita**, Kisogawa-cho (JP); **Fumikazu Sato**, Inuyama (JP)  
(73) Assignee: **Brother Industries, Ltd.**, Nagoya (JP)  
(\*\*) Term: **14 Years**

D447,511 S 9/2001 Kimura et al.  
D471,583 S 3/2003 Okabe et al.  
D507,295 S 7/2005 Ishii et al.  
D509,239 S 9/2005 Ishii et al.  
2002/0159780 A1 \* 10/2002 Chadani et al. .... 399/27  
2003/0185588 A1 \* 10/2003 Takami et al. .... 399/111  
2005/0031373 A1 \* 2/2005 Ishii ..... 399/111  
2005/0135837 A1 \* 6/2005 Okabe et al. .... 399/111

\* cited by examiner

(21) Appl. No.: **29/222,104**  
(22) Filed: **Jan. 27, 2005**

*Primary Examiner*—Caron D. Veynar  
*Assistant Examiner*—Garth Rademaker  
(74) *Attorney, Agent, or Firm*—Oliff & Berridge, PLC

(30) **Foreign Application Priority Data**

Aug. 13, 2004 (JP) ..... 2004-024393

(51) **LOC (8) Cl.** ..... **16-03**  
(52) **U.S. Cl.** ..... **D18/40**  
(58) **Field of Classification Search** ..... D18/12,  
D18/36, 40, 43, 44, 56; D16/237, 246–250;  
D14/474–484; 399/24–28, 110–112, 116,  
399/119, 121, 122, 222–224; 347/49, 86,  
347/87, 214; 400/194, 196, 207, 208  
See application file for complete search history.

(57) **CLAIM**

The ornamental design for a photosensitive drum unit, as shown and described.

**DESCRIPTION**

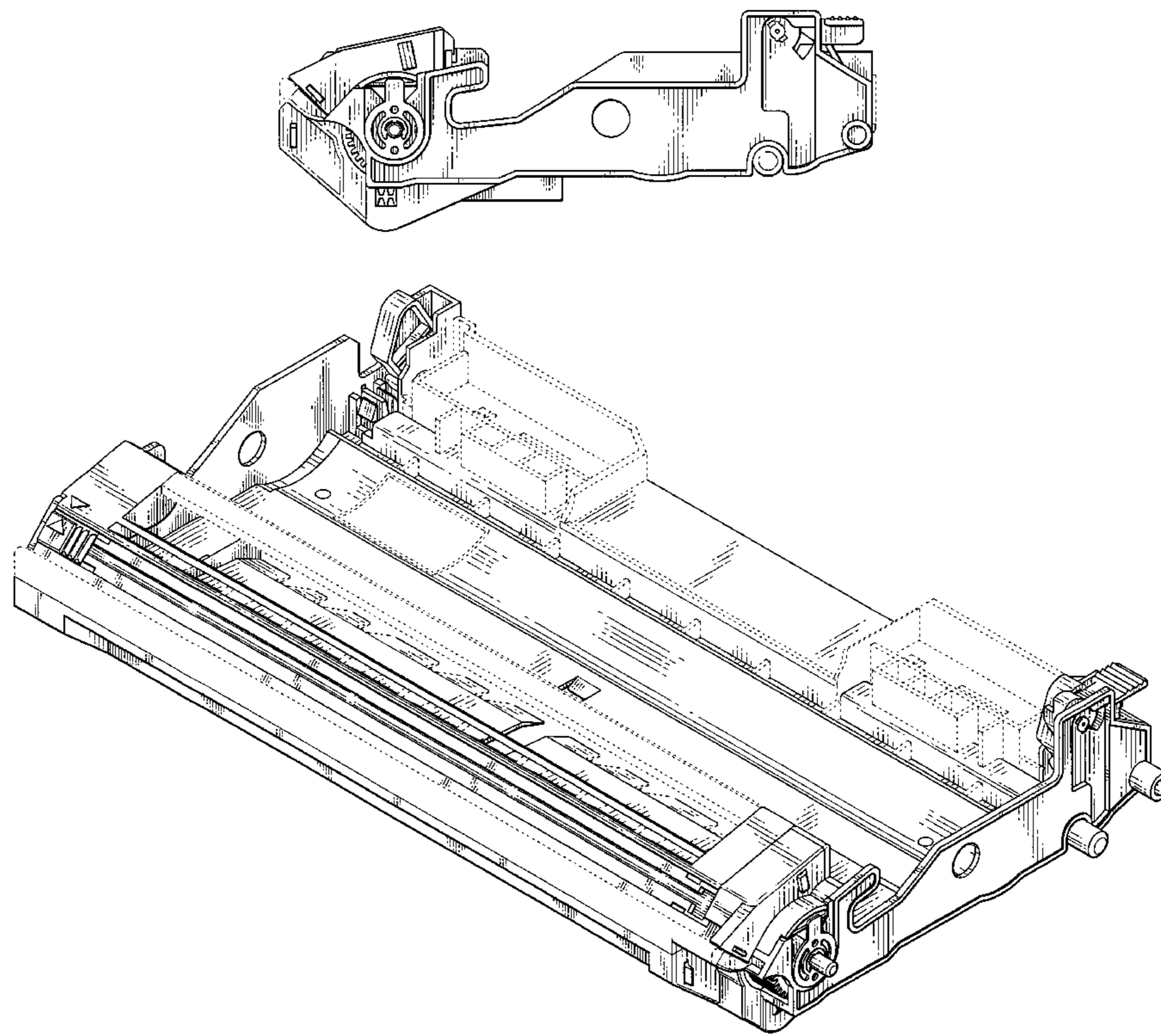
FIG. 1 is a front view of a photosensitive drum unit;  
FIG. 2 is a top view thereof;  
FIG. 3 is a right-side view thereof;  
FIG. 4 is a left-side view thereof  
FIG. 5 is a rear view thereof;  
FIG. 6 is a bottom view thereof;  
FIG. 7 is a perspective view thereof; and,  
FIG. 8 is another perspective view thereof.  
The broken line showing is for illustrative purposes only and forms no part of the claimed design.

(56) **References Cited**

**U.S. PATENT DOCUMENTS**

5,784,671 A \* 7/1998 Damji et al. .... 399/110  
D410,676 S \* 6/1999 Kurabayashi et al. .... D18/40  
D423,559 S 4/2000 Suzuki et al.  
6,055,406 A \* 4/2000 Kawai et al. .... 399/111

**1 Claim, 7 Drawing Sheets**



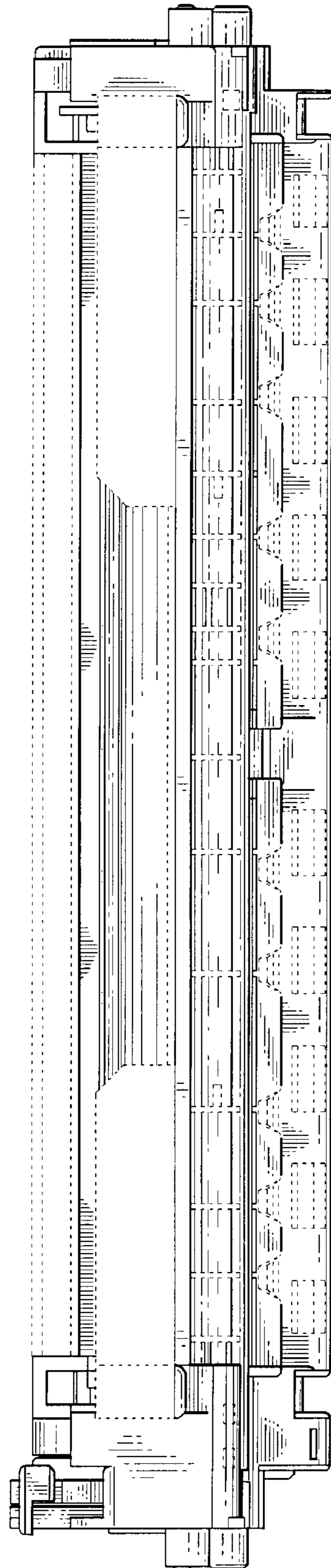


FIG. 1

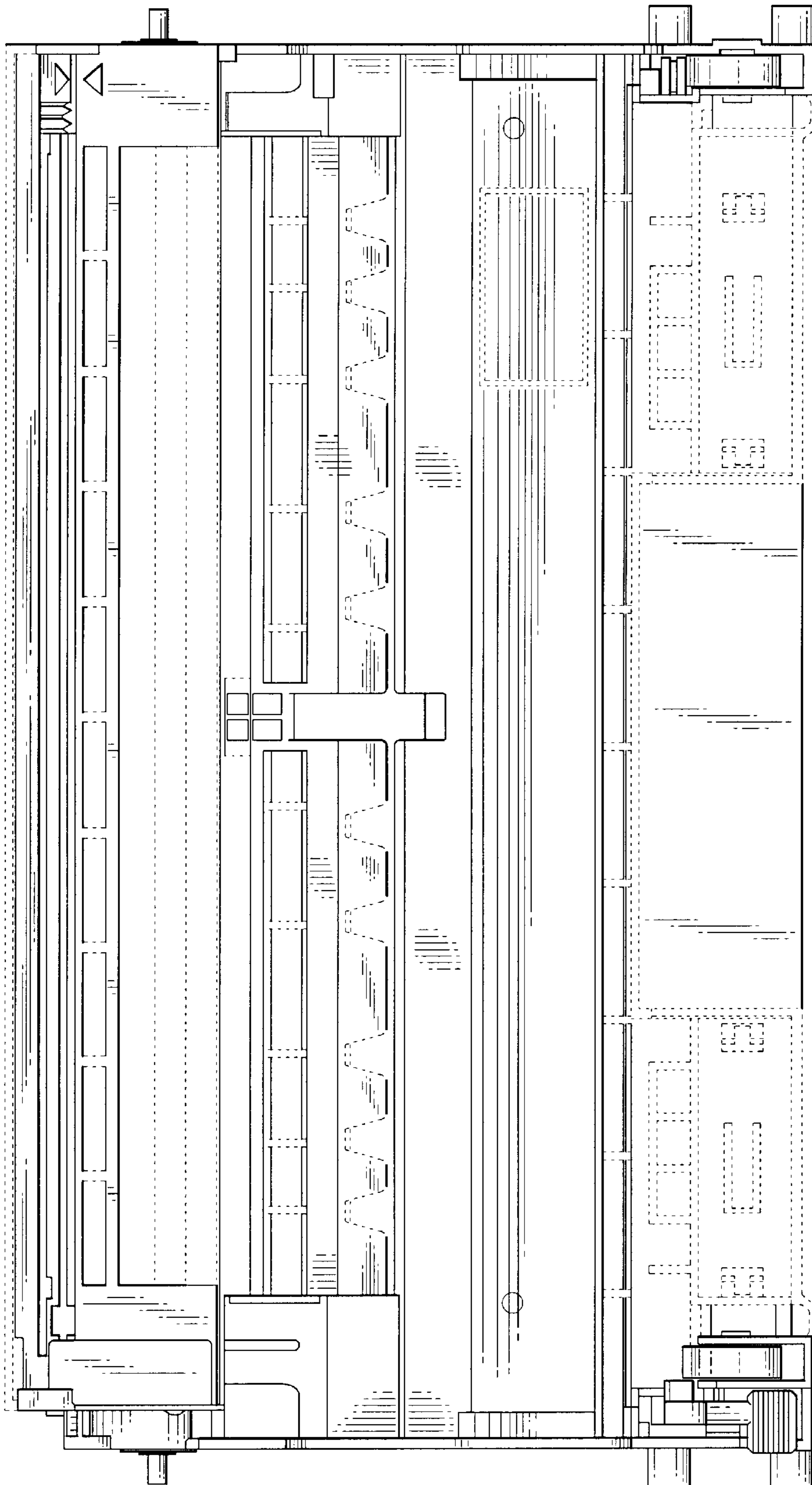


FIG. 2

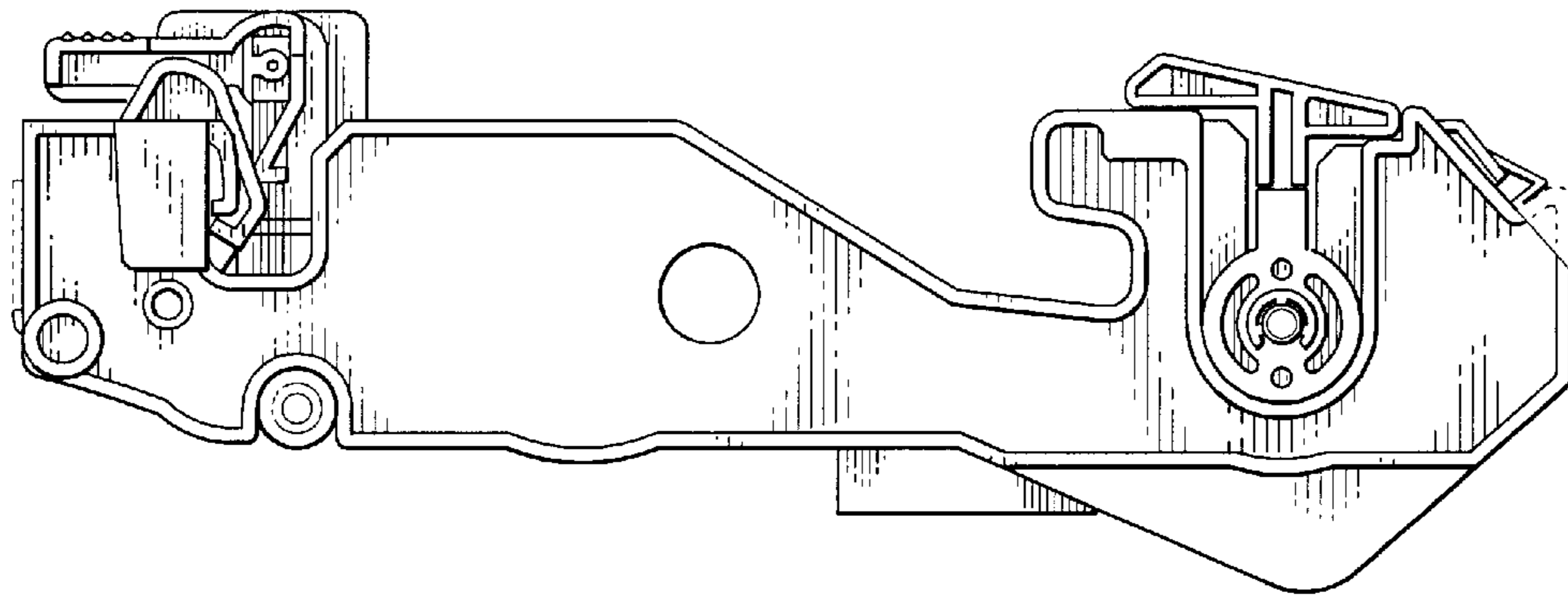


FIG. 3

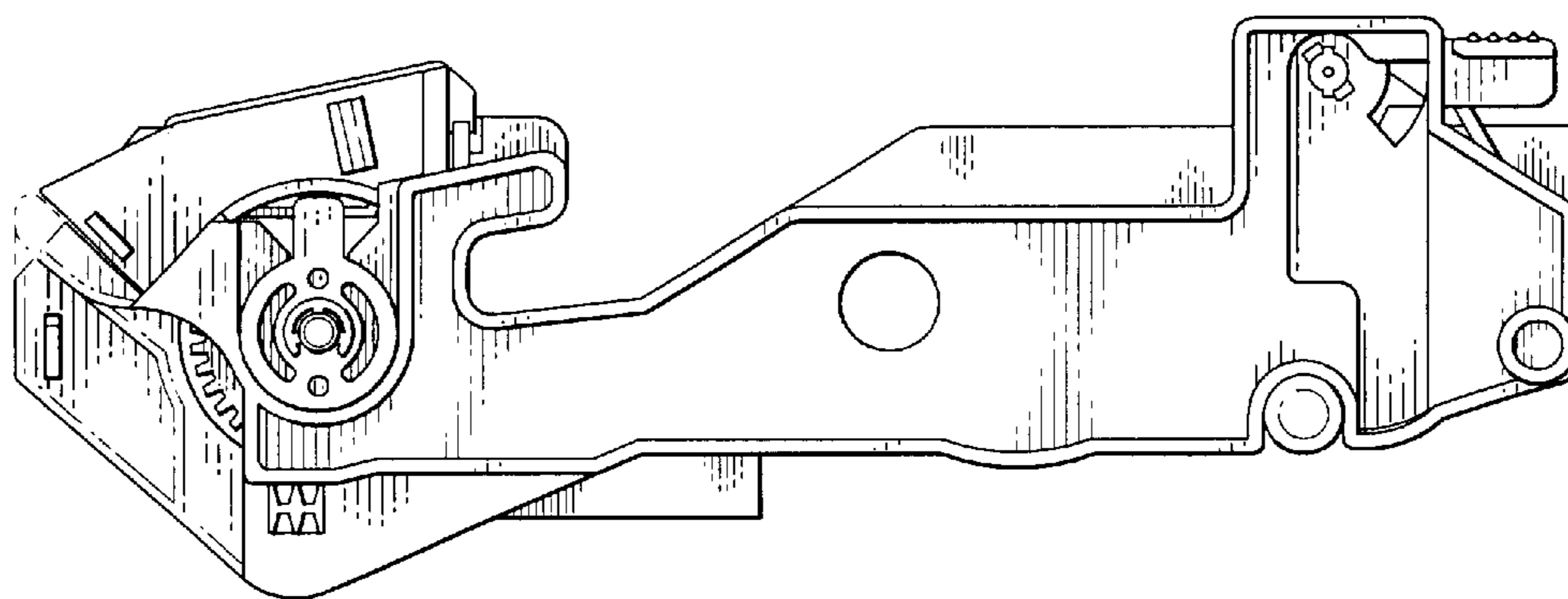


FIG. 4

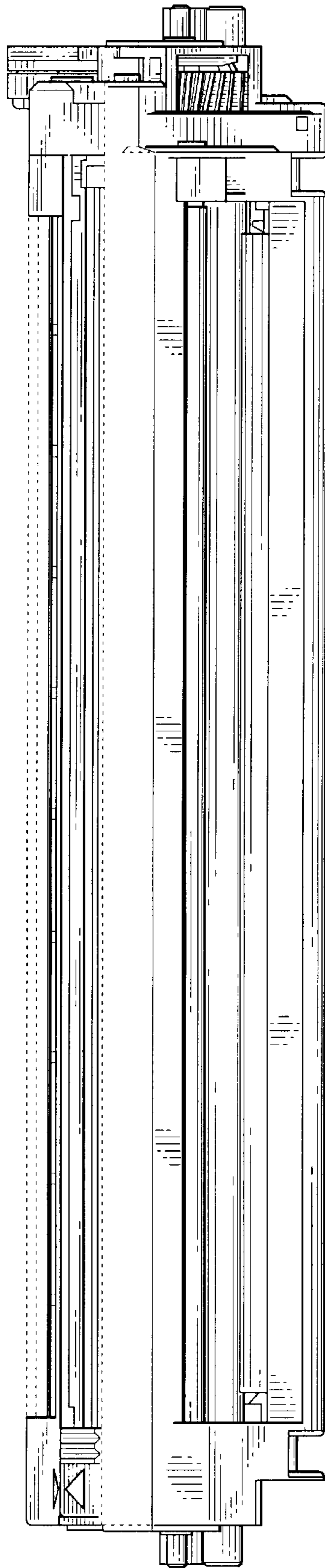


FIG. 5

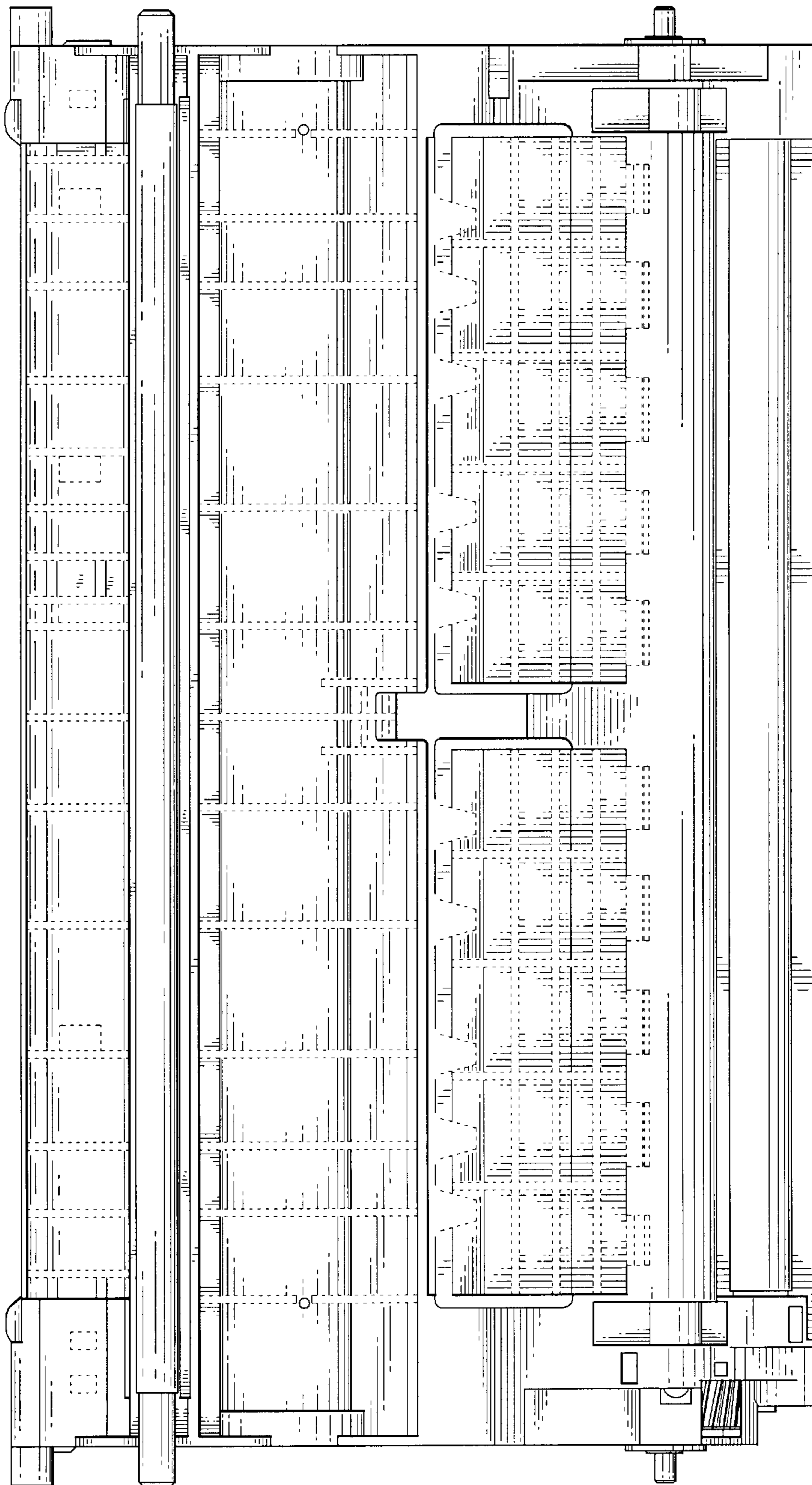


FIG. 6

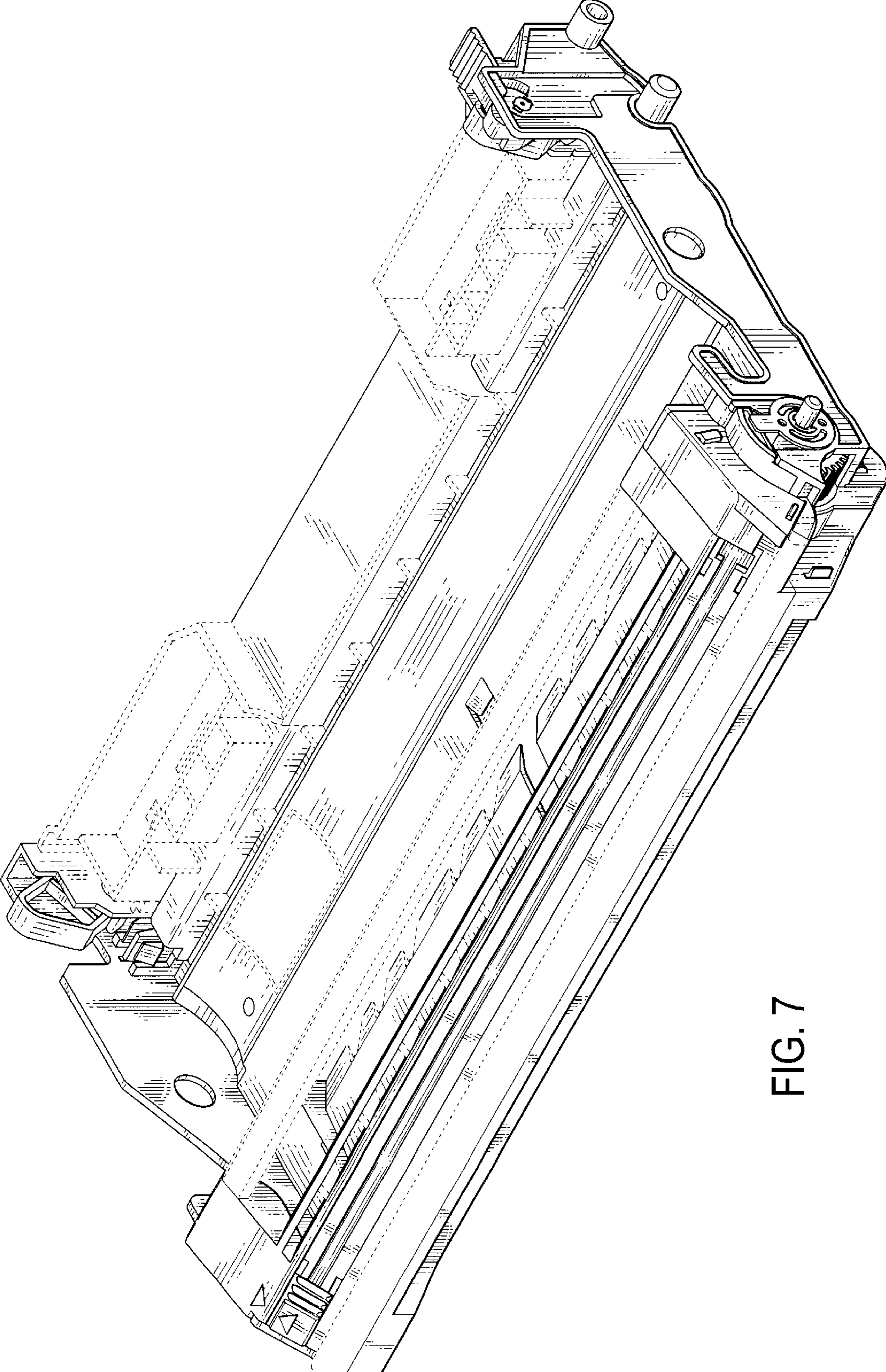


FIG. 7

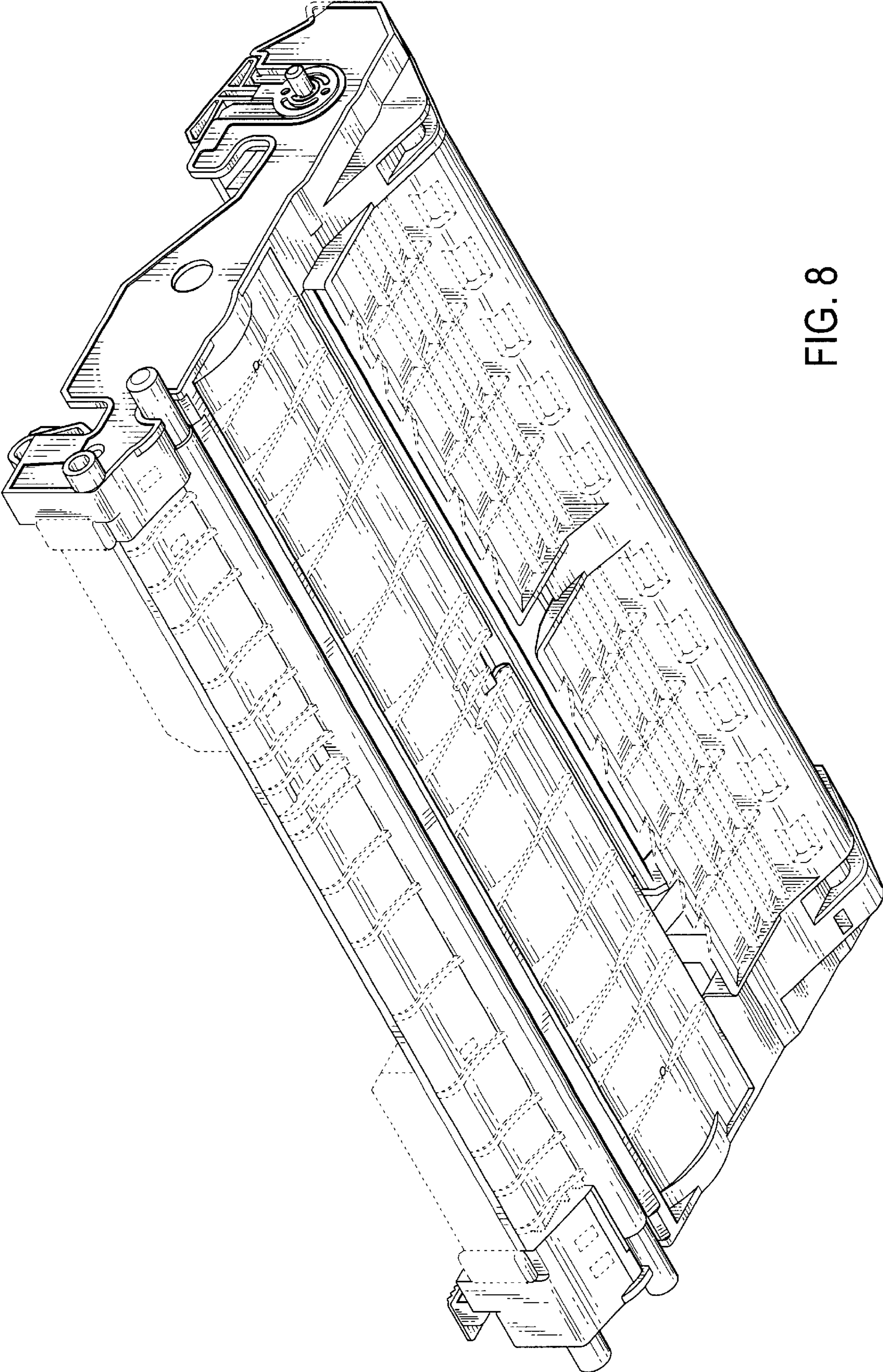


FIG. 8