

US00D521542S

(12) **United States Design Patent**
Inaba

(10) **Patent No.:** **US D521,542 S**

(45) **Date of Patent:** **** May 23, 2006**

(54) **DIGITAL CAMERA**

D482,054 S * 11/2003 Nasu D16/202
D489,385 S * 5/2004 Lin D16/202

(75) Inventor: **Toshiya Inaba**, Tokyo (JP)

* cited by examiner

(73) Assignee: **PENTAX Corporation**, Tokyo (JP)

Primary Examiner—Adir Aronovich

(**) Term: **14 Years**

(74) *Attorney, Agent, or Firm*—Sughrue Mion, PLLC

(21) Appl. No.: **29/218,581**

(57) **CLAIM**

(22) Filed: **Dec. 6, 2004**

The ornamental design for a digital camera, as shown and described.

(30) **Foreign Application Priority Data**

DESCRIPTION

Jun. 23, 2004 (JP) 2004-018792

(51) **LOC (8) Cl.** **16-01**

(52) **U.S. Cl.** **D16/202; D16/218**

(58) **Field of Classification Search** D16/200–205,
D16/208, 209, 218; 348/373–376; 358/909.1;
396/6, 535–541

See application file for complete search history.

FIG. 1 is a perspective view of the front, right, and top sides of a digital camera showing my new design;

FIG. 2 is a front elevational view thereof;

FIG. 3 is a rear elevational view thereof;

FIG. 4 is a left side elevational view thereof;

FIG. 5 is a right side elevational view thereof;

FIG. 6 is a top plan view thereof;

FIG. 7 is a bottom plan view thereof;

FIG. 8 is a perspective view of the rear, left, and top sides thereof with a display panel in a first position;

FIG. 9 is a perspective view of the front, right, and top sides thereof with the display panel in a second position;

FIG. 10 is a perspective view of the rear, left, and top sides with the display panel in a third position;

FIG. 11 is a front elevational view thereof in a state of taking a picture; and,

FIG. 12 is a right side elevational view thereof in a state of taking a picture.

(56) **References Cited**

U.S. PATENT DOCUMENTS

5,258,793 A * 11/1993 Tsuji et al. 396/536
D356,809 S * 3/1995 Suyama et al. D16/209
D425,093 S * 5/2000 Chang D16/209
D434,786 S * 12/2000 Chin D16/209
D438,228 S * 2/2001 Hamamura D16/209
D446,536 S * 8/2001 Kim D16/209
D447,759 S * 9/2001 Jin D16/209
6,381,411 B1 * 4/2002 Lee 396/6
D463,470 S * 9/2002 Tse D16/202

1 Claim, 10 Drawing Sheets

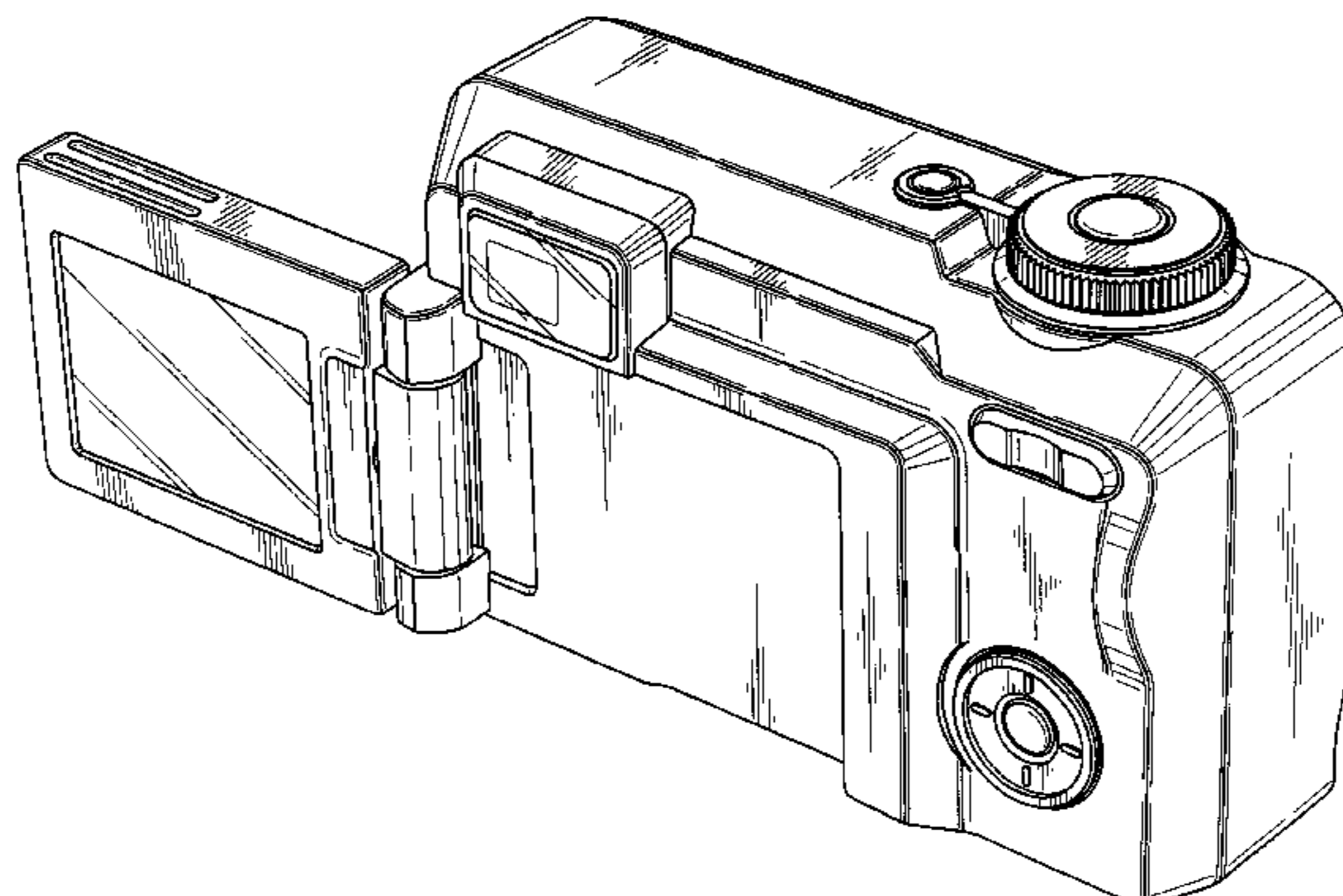
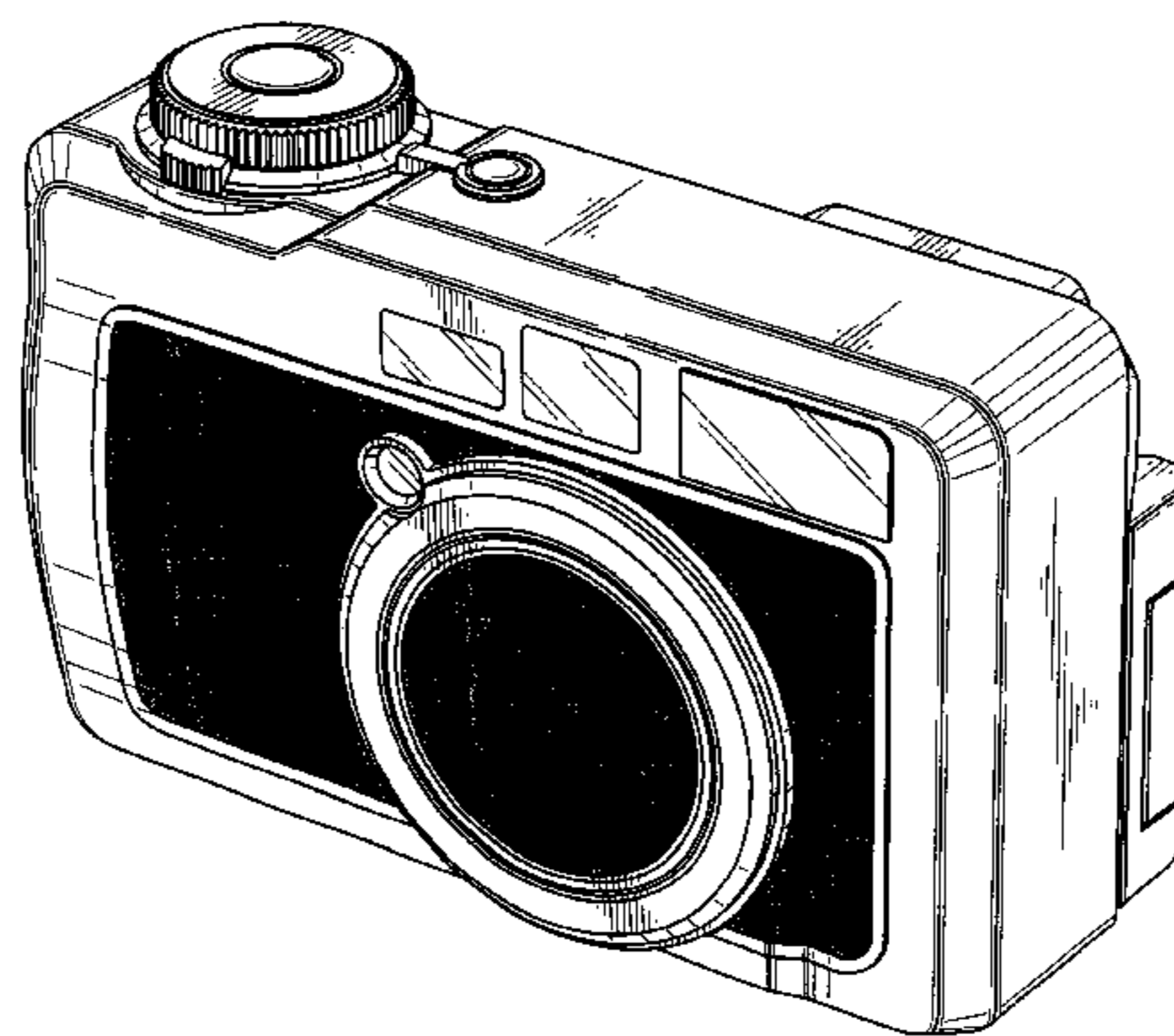


FIG. 1

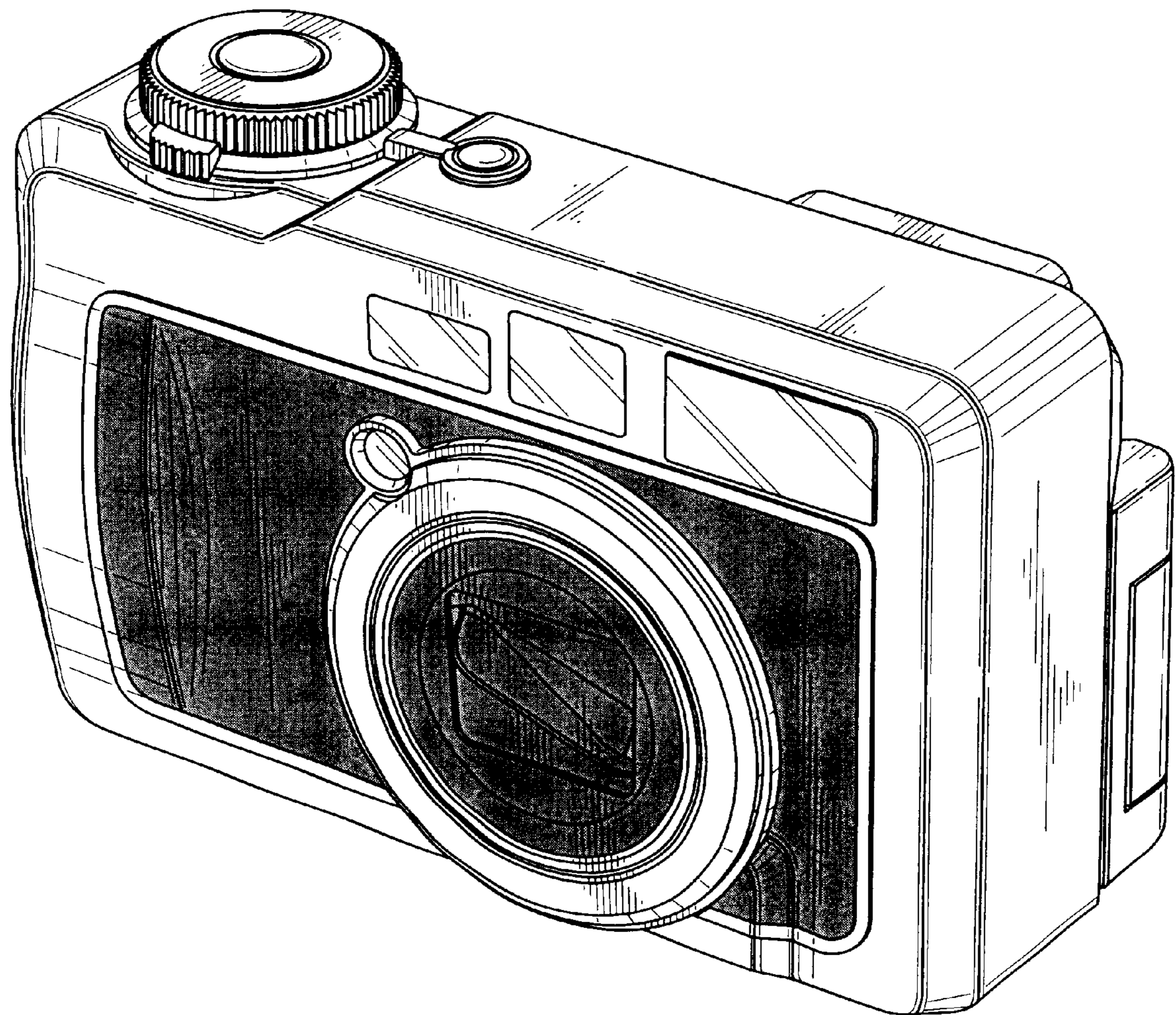


FIG. 2

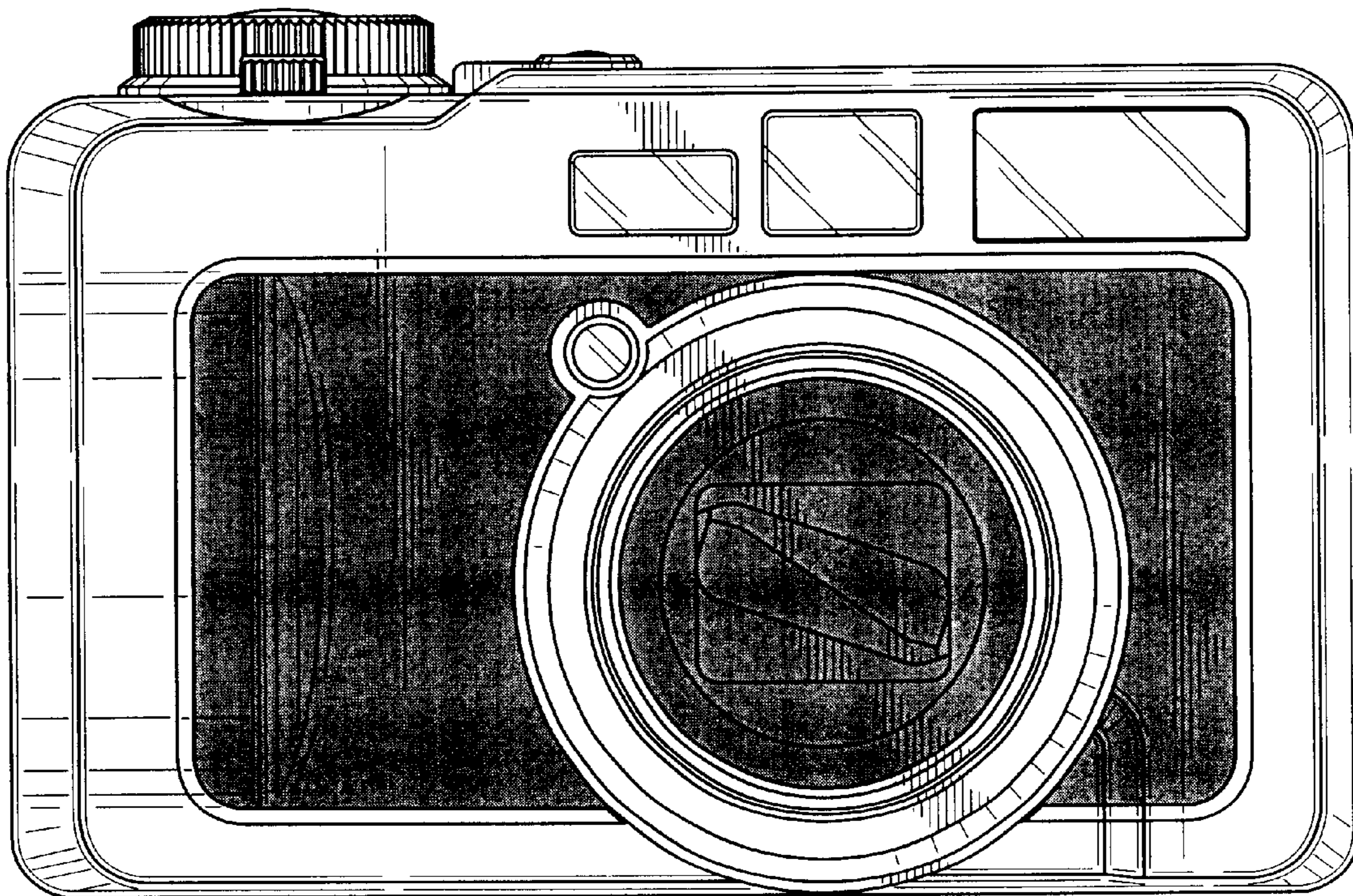


FIG. 3

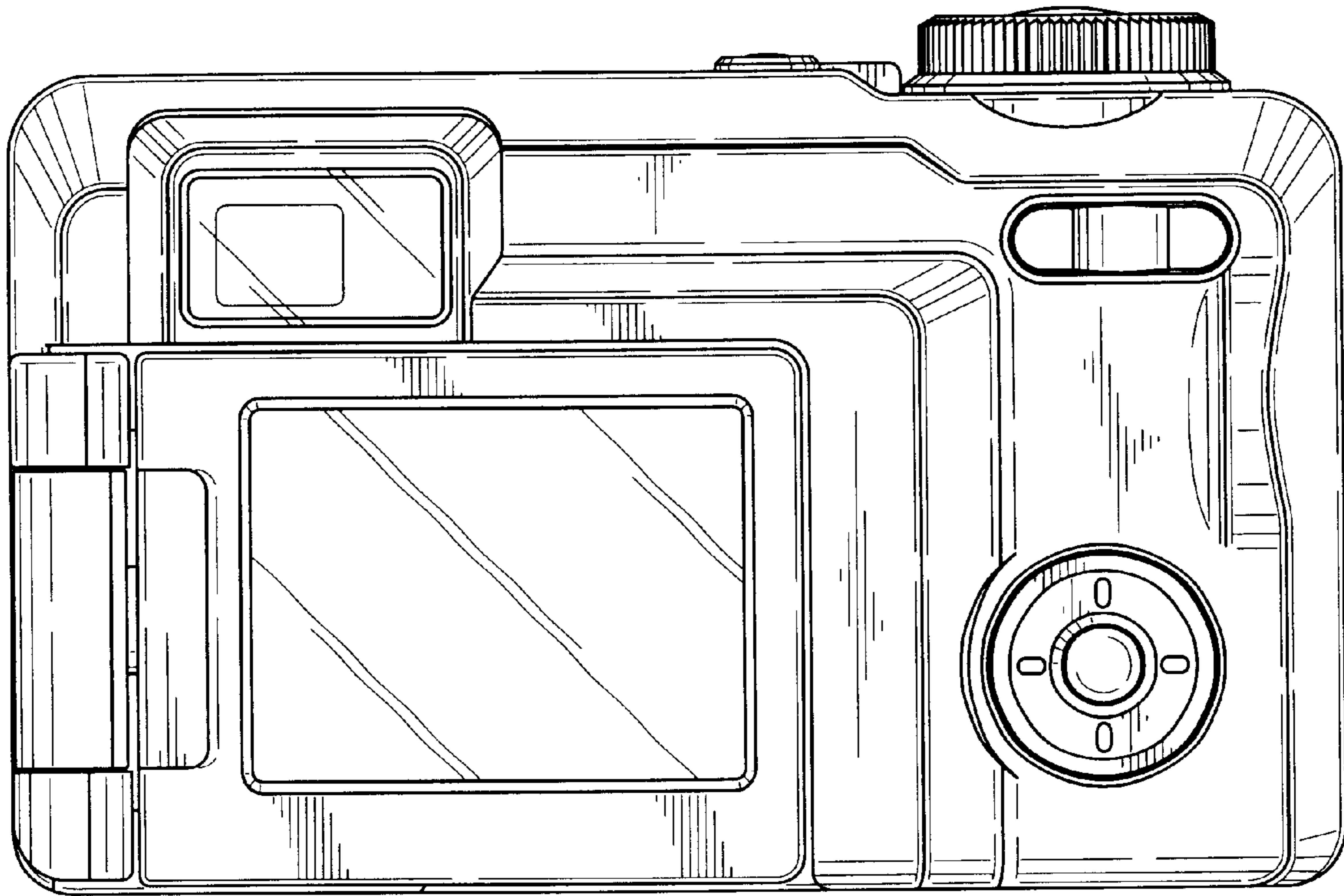


FIG. 4

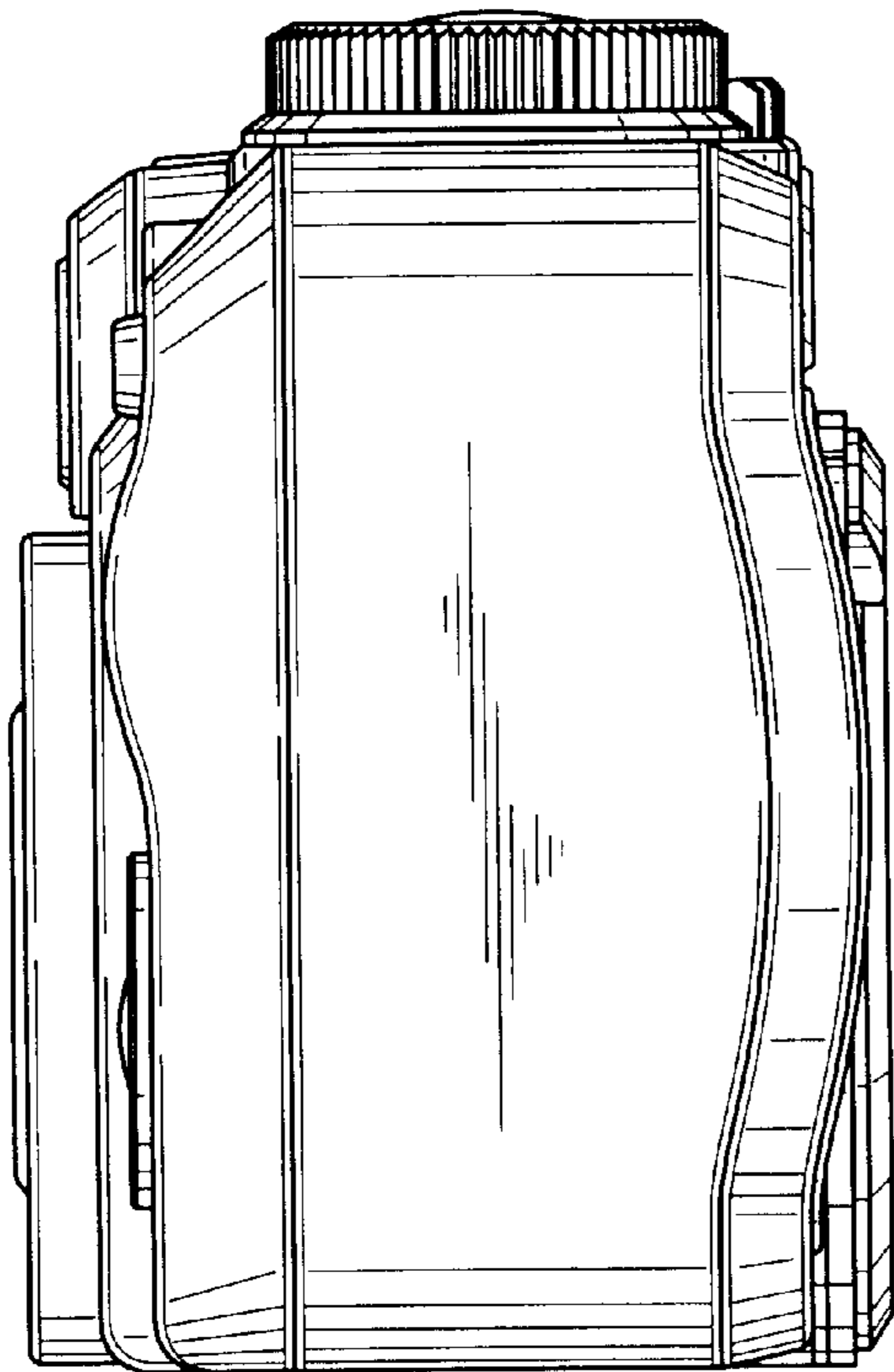


FIG. 5

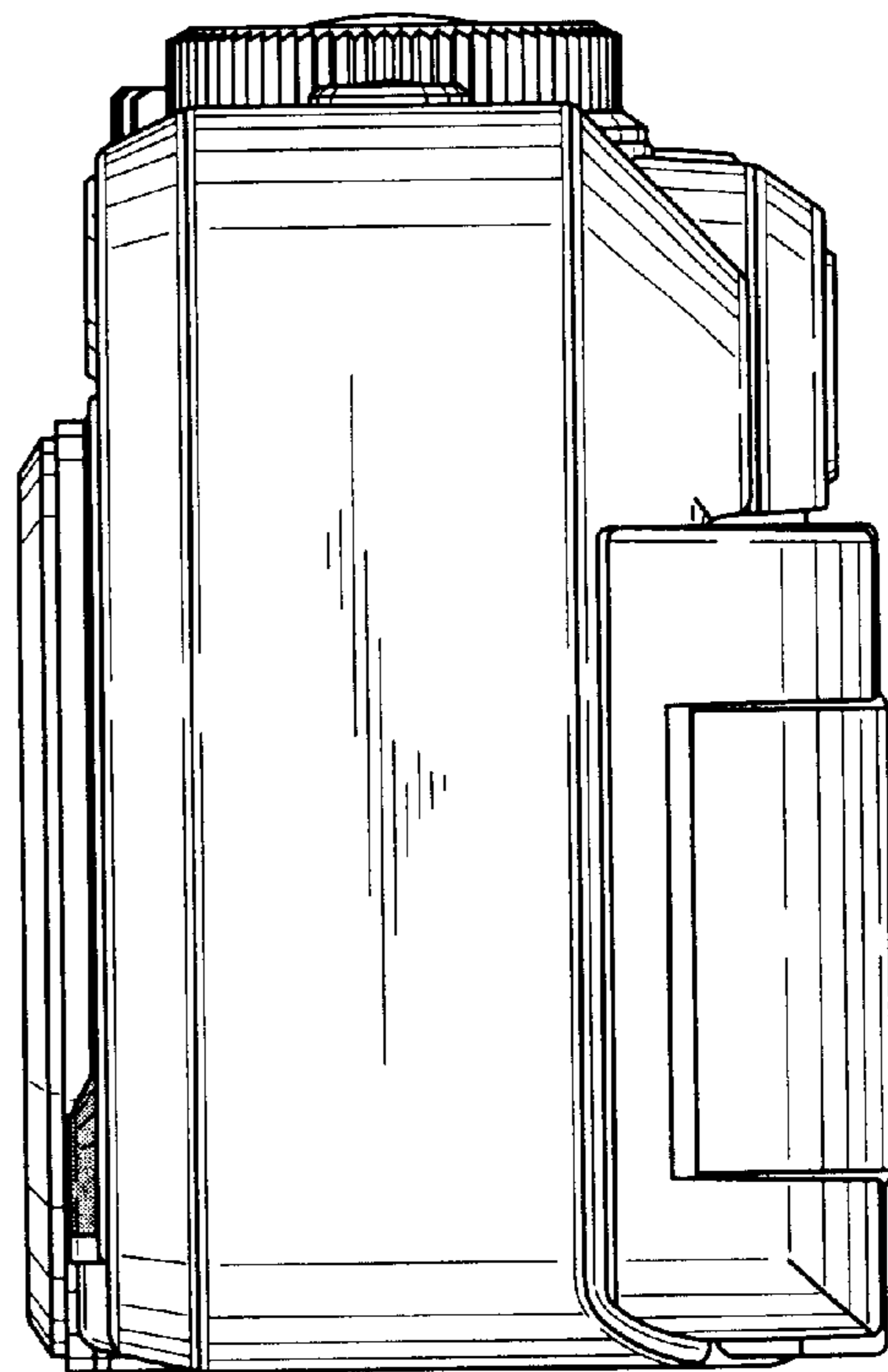


FIG. 6

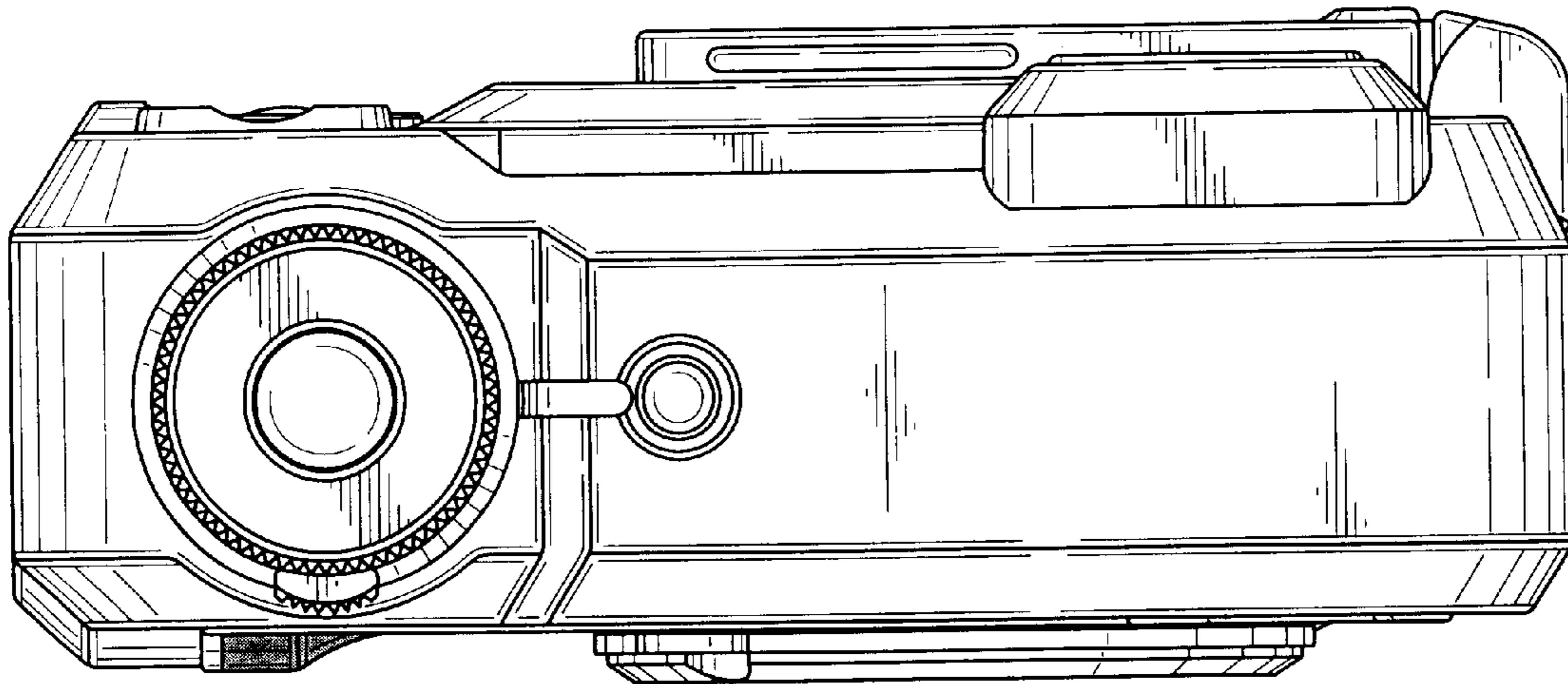


FIG. 7

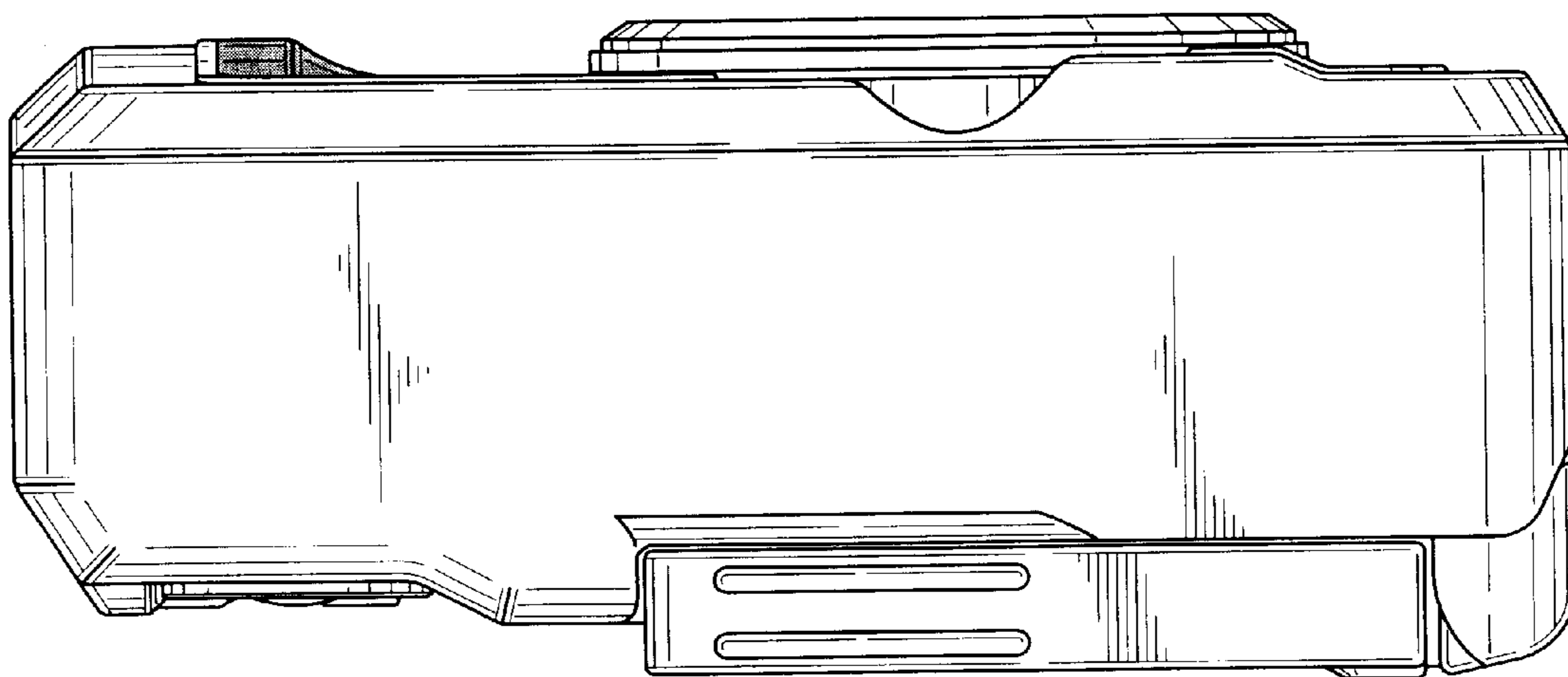


FIG. 8

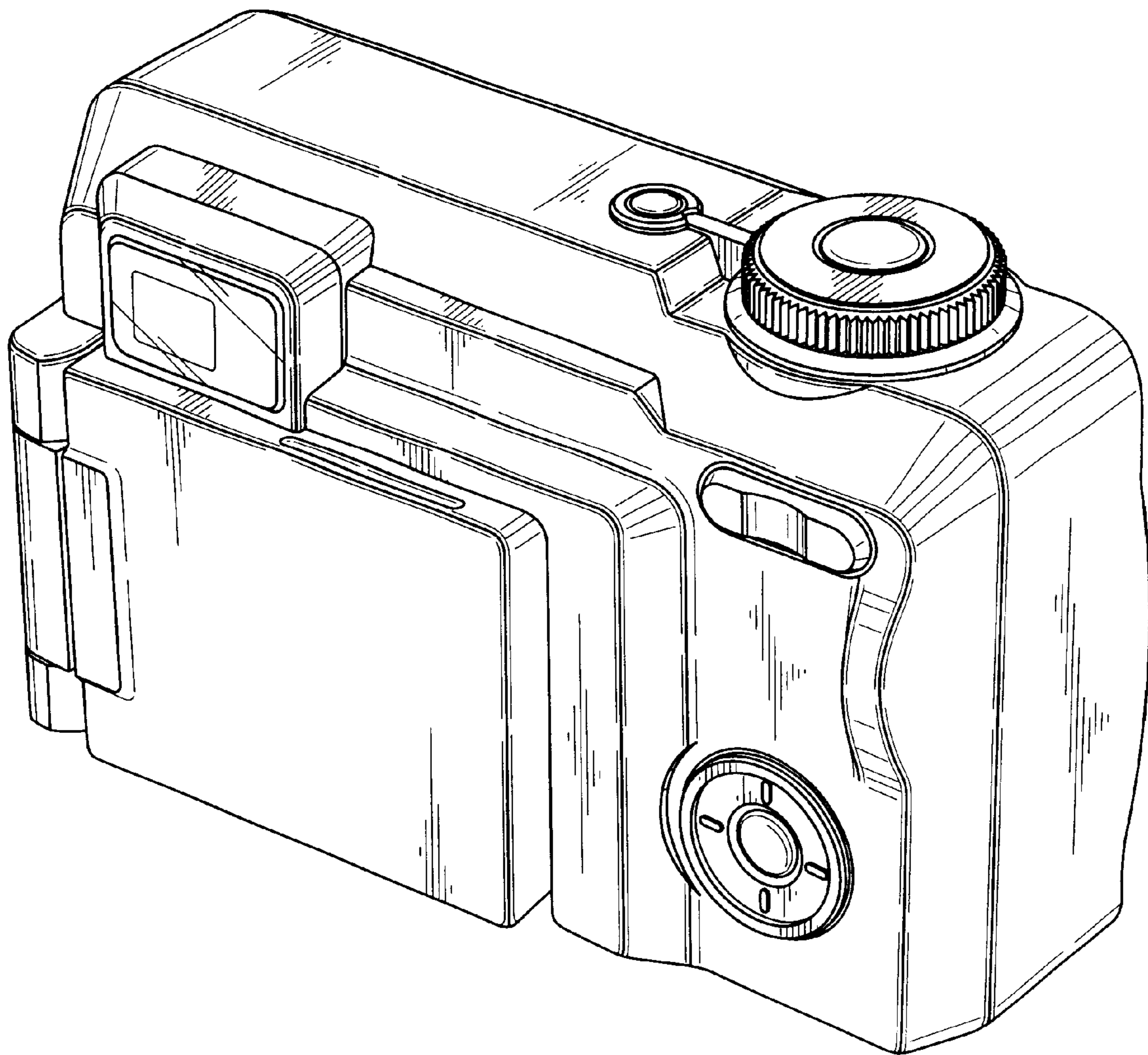


FIG. 9

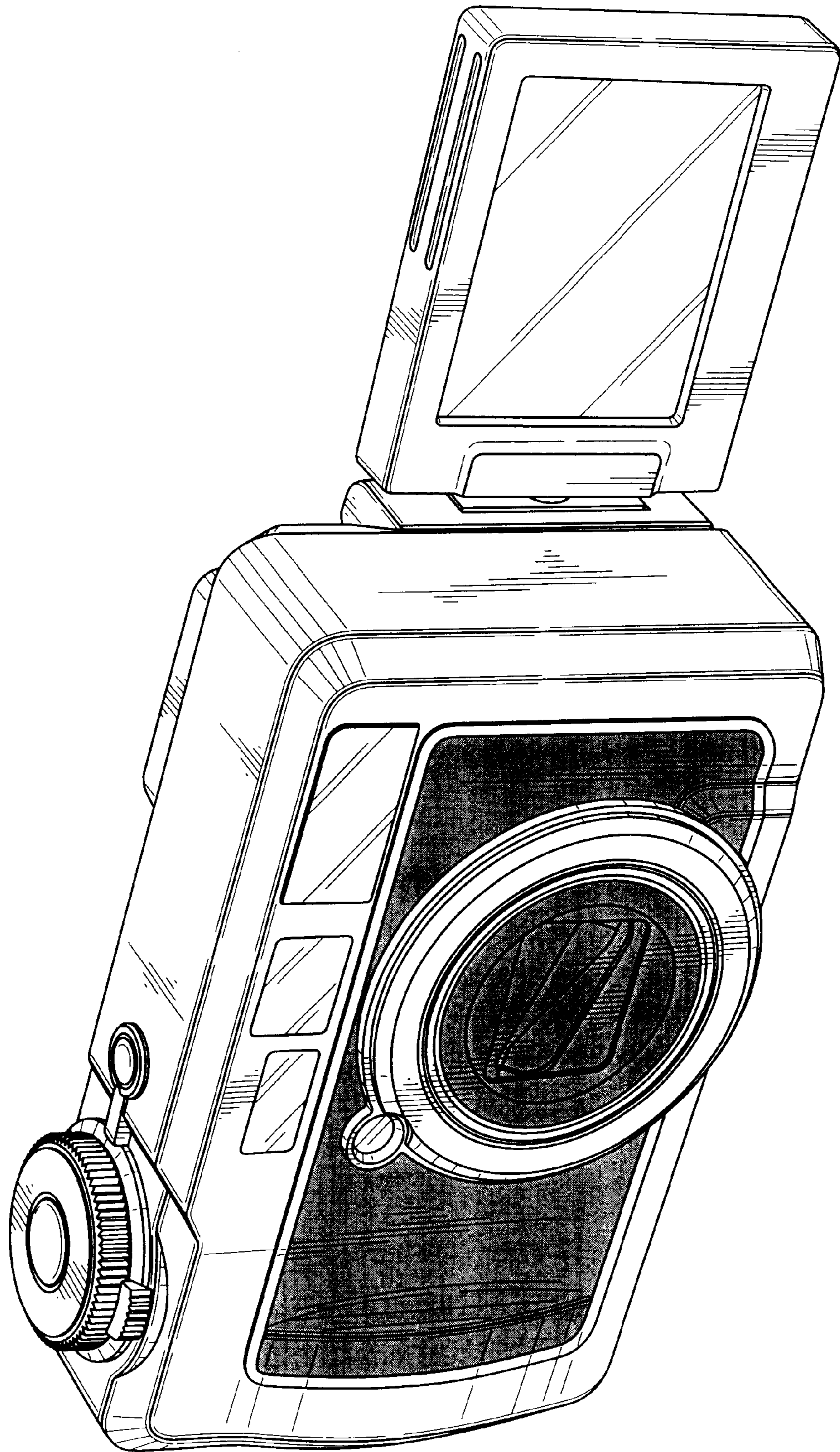


FIG. 10

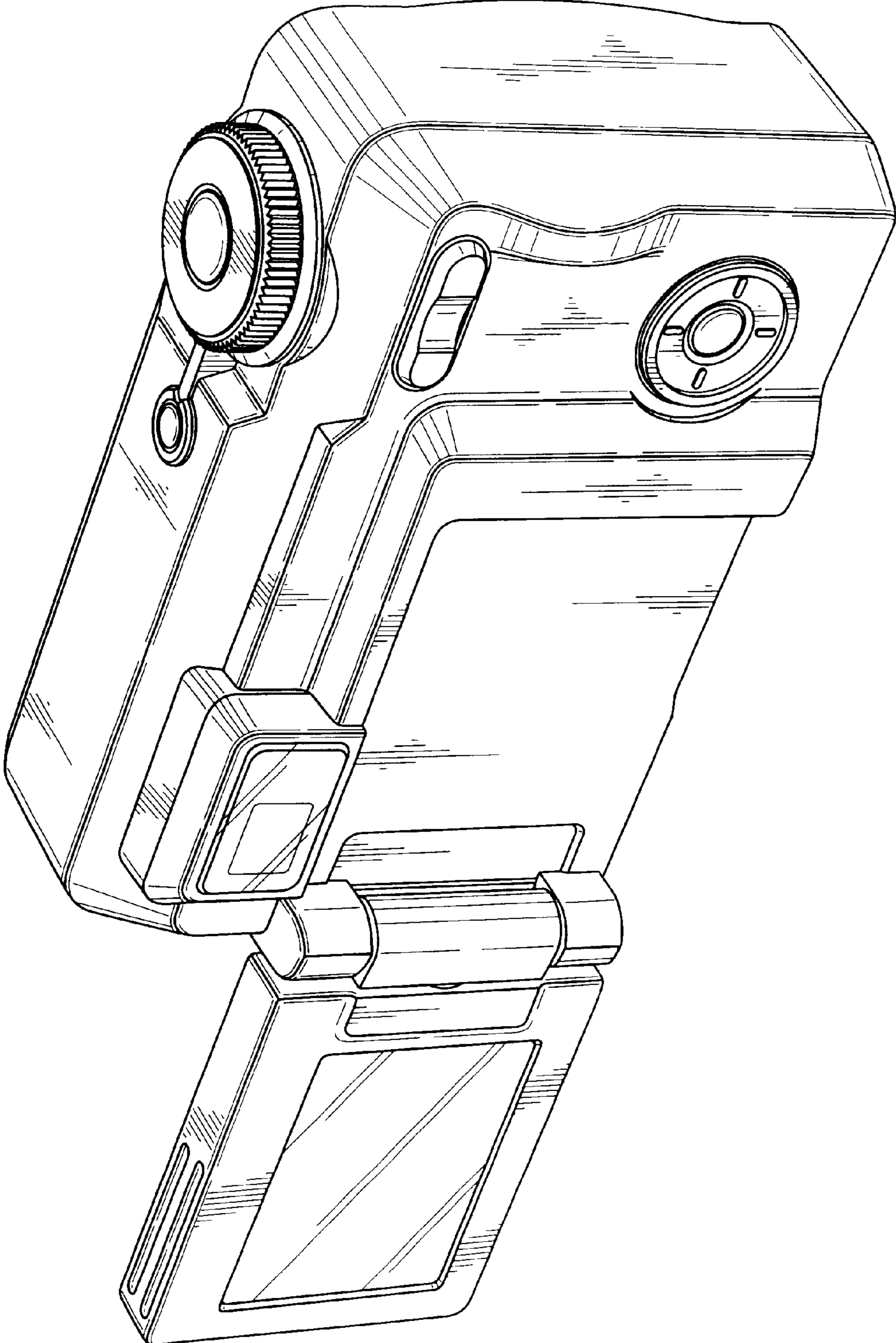


FIG. 11

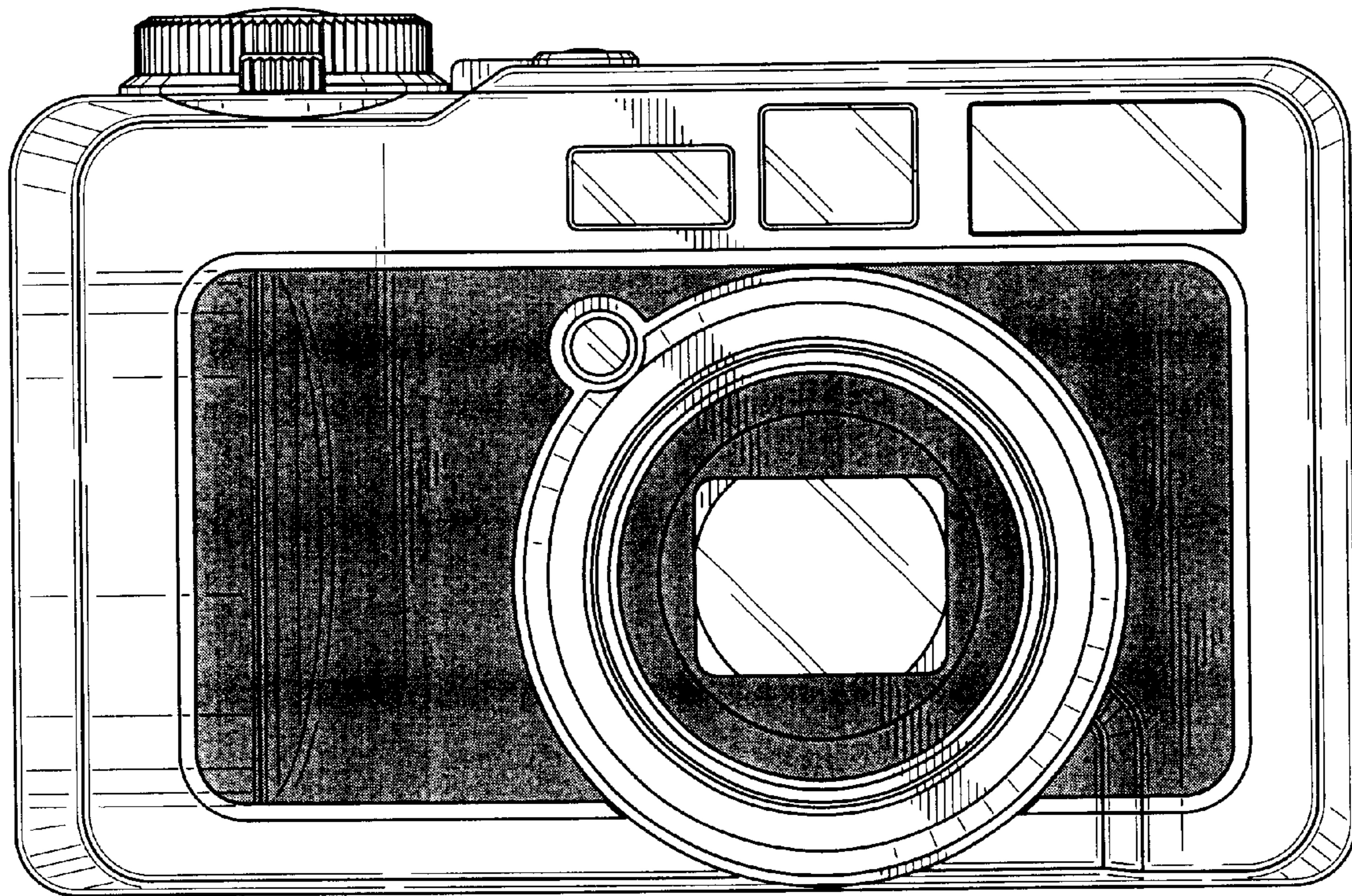


FIG. 12

