



US00D521541S

(12) **United States Design Patent**
Chibiki

(10) **Patent No.:** **US D521,541 S**

(45) **Date of Patent:** **** May 23, 2006**

(54) **DIGITAL CAMERA**

(75) Inventor: **Yoshihiro Chibiki**, Tokyo (JP)

(73) Assignee: **Konica Minolta Photo Imaging, Inc.**,
Tokyo (JP)

(**) Term: **14 Years**

(21) Appl. No.: **29/218,050**

(22) Filed: **Nov. 29, 2004**

(30) **Foreign Application Priority Data**

May 31, 2004 (JP) 2004-016041

(51) **LOC (8) Cl.** **16-01**

(52) **U.S. Cl.** **D16/202**

(58) **Field of Classification Search** D16/200-206,
D16/208, 218; 348/373-376; 358/906, 909.1;
396/535-541

See application file for complete search history.

(56) **References Cited**

U.S. PATENT DOCUMENTS

D387,079 S * 12/1997 Horikiri D16/200

D416,271 S * 11/1999 Ikenaga D16/202

D447,500 S * 9/2001 Funato D16/202

D481,052 S * 10/2003 Ogura D16/202

D493,809 S * 8/2004 Ogura D16/202

6,930,726 B1 * 8/2005 Nagai 348/373

D511,351 S * 11/2005 Yatabe D16/202

FOREIGN PATENT DOCUMENTS

JP D1129270 12/2001

JP D1179362 7/2003

* cited by examiner

Primary Examiner—Adir Aronovich

(74) *Attorney, Agent, or Firm*—Buchanan Ingersoll PC

(57) **CLAIM**

The ornamental design for a digital camera, as shown and described.

DESCRIPTION

FIG. 1 is a front perspective view of a digital camera;

FIG. 2 is a rear perspective view thereof;

FIG. 3 is a front view thereof;

FIG. 4 is a rear view thereof;

FIG. 5 is a left side view thereof;

FIG. 6 is a right side view thereof;

FIG. 7 is a top view thereof; and,

FIG. 8 is a bottom view thereof.

1 Claim, 4 Drawing Sheets

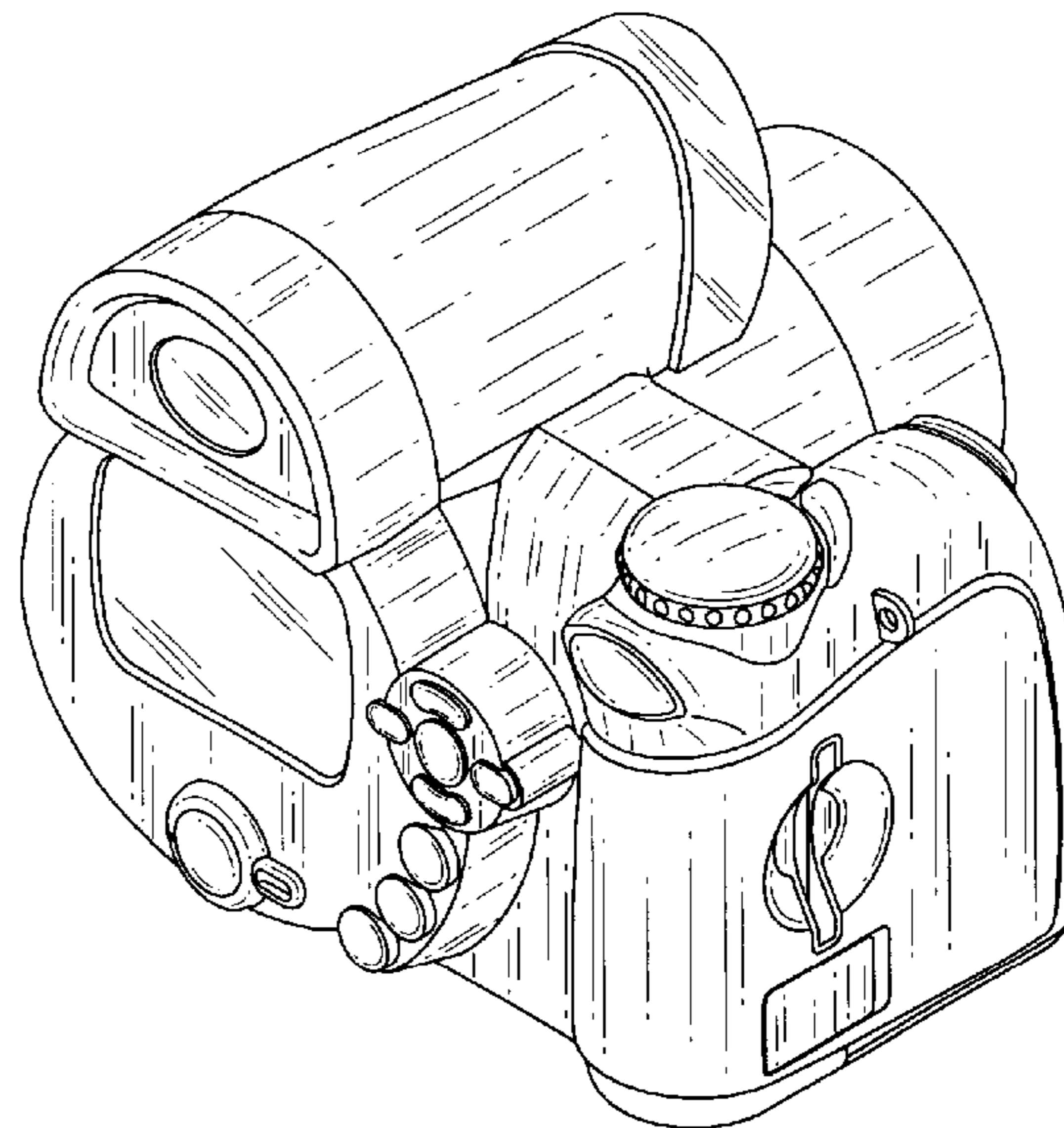
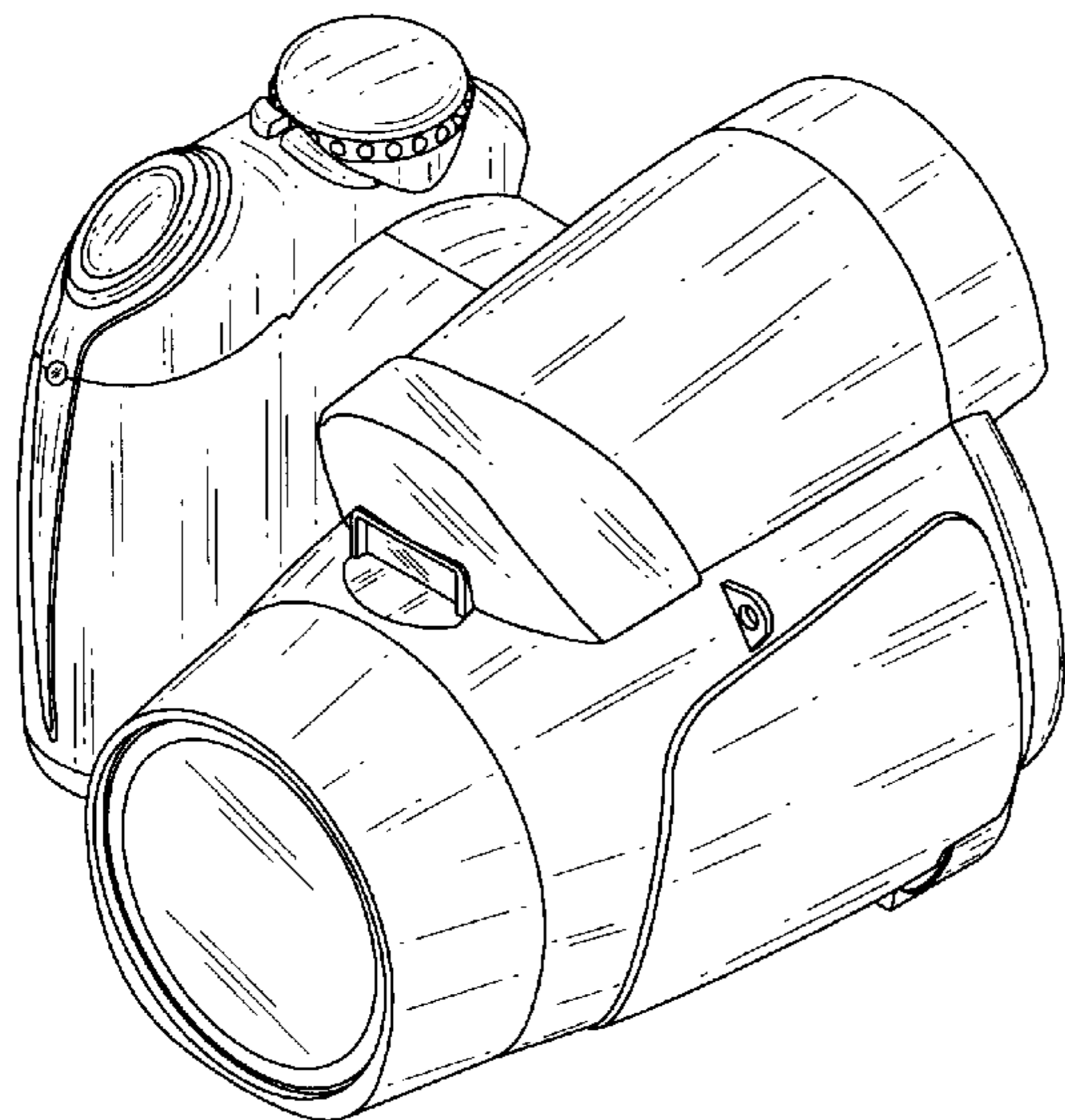


Fig. 1

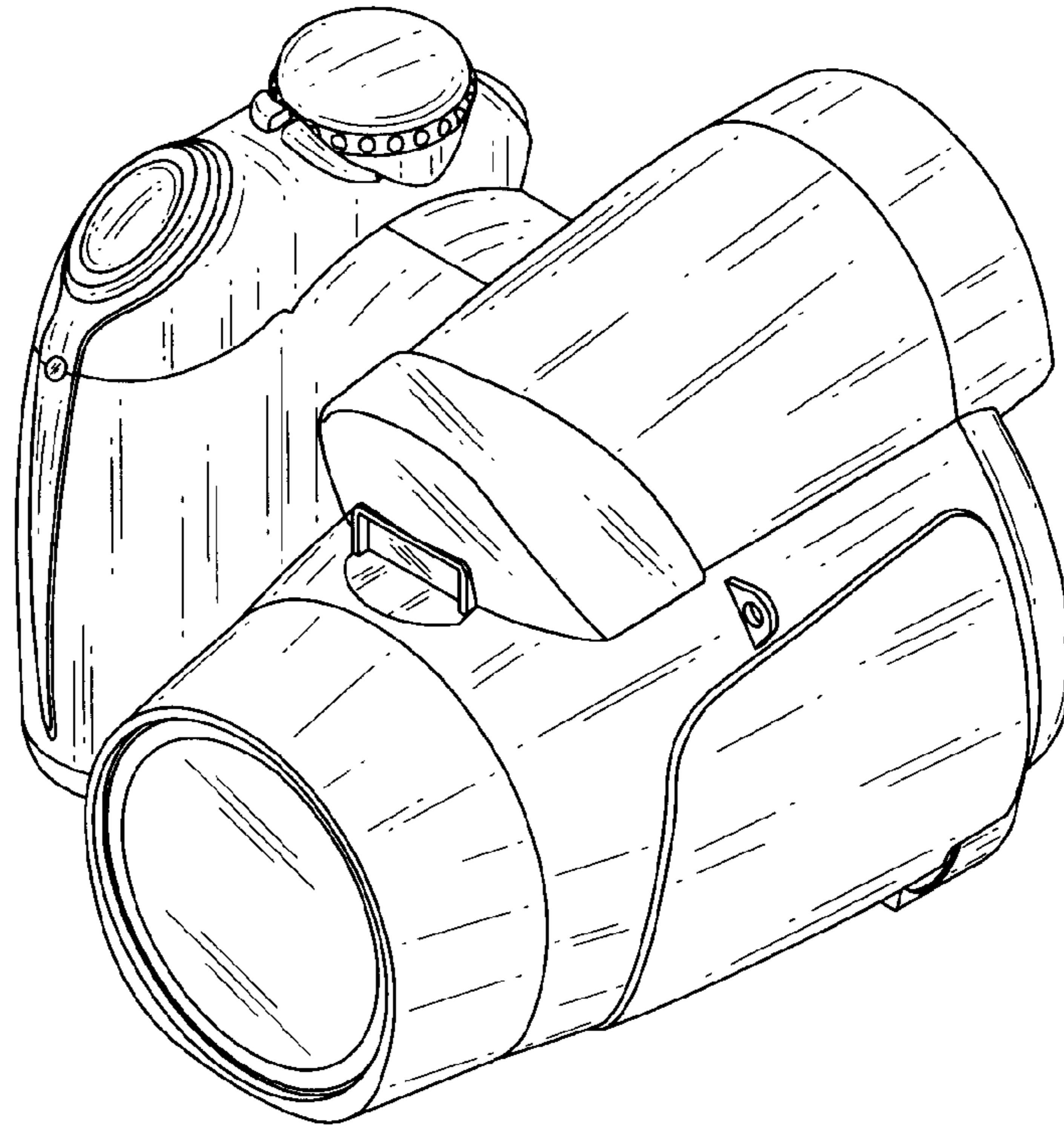


Fig. 2

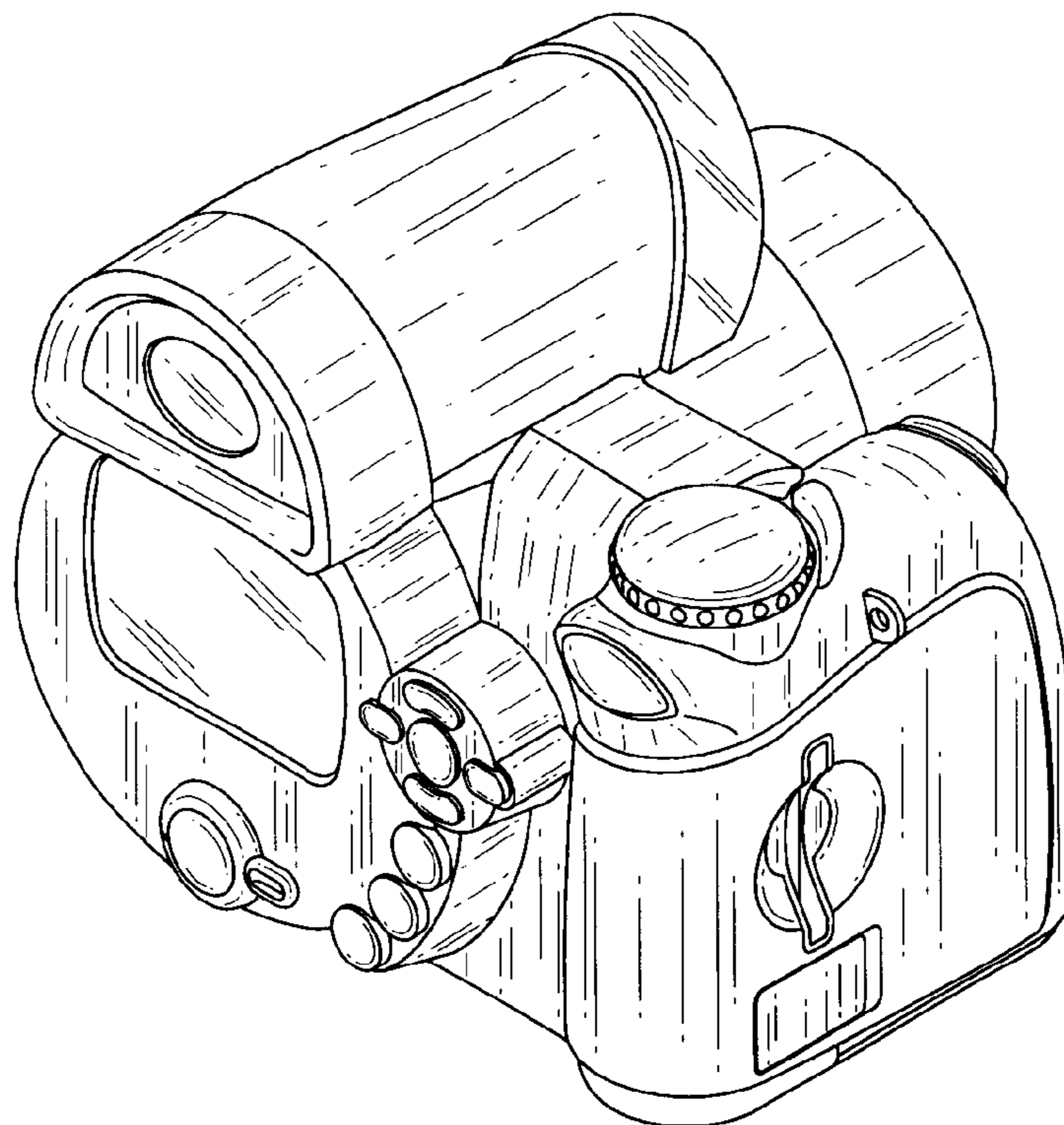


Fig. 3

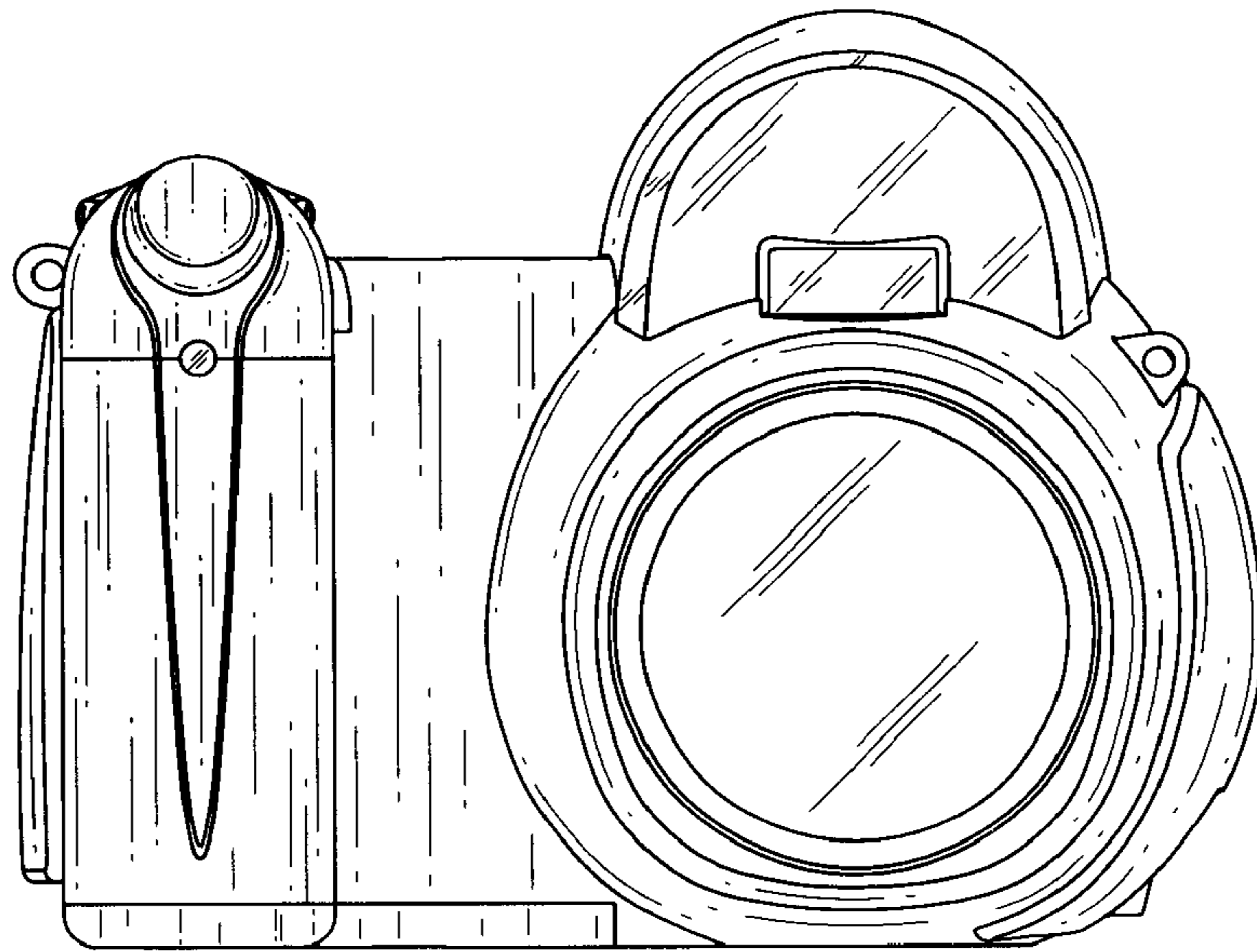


Fig. 4

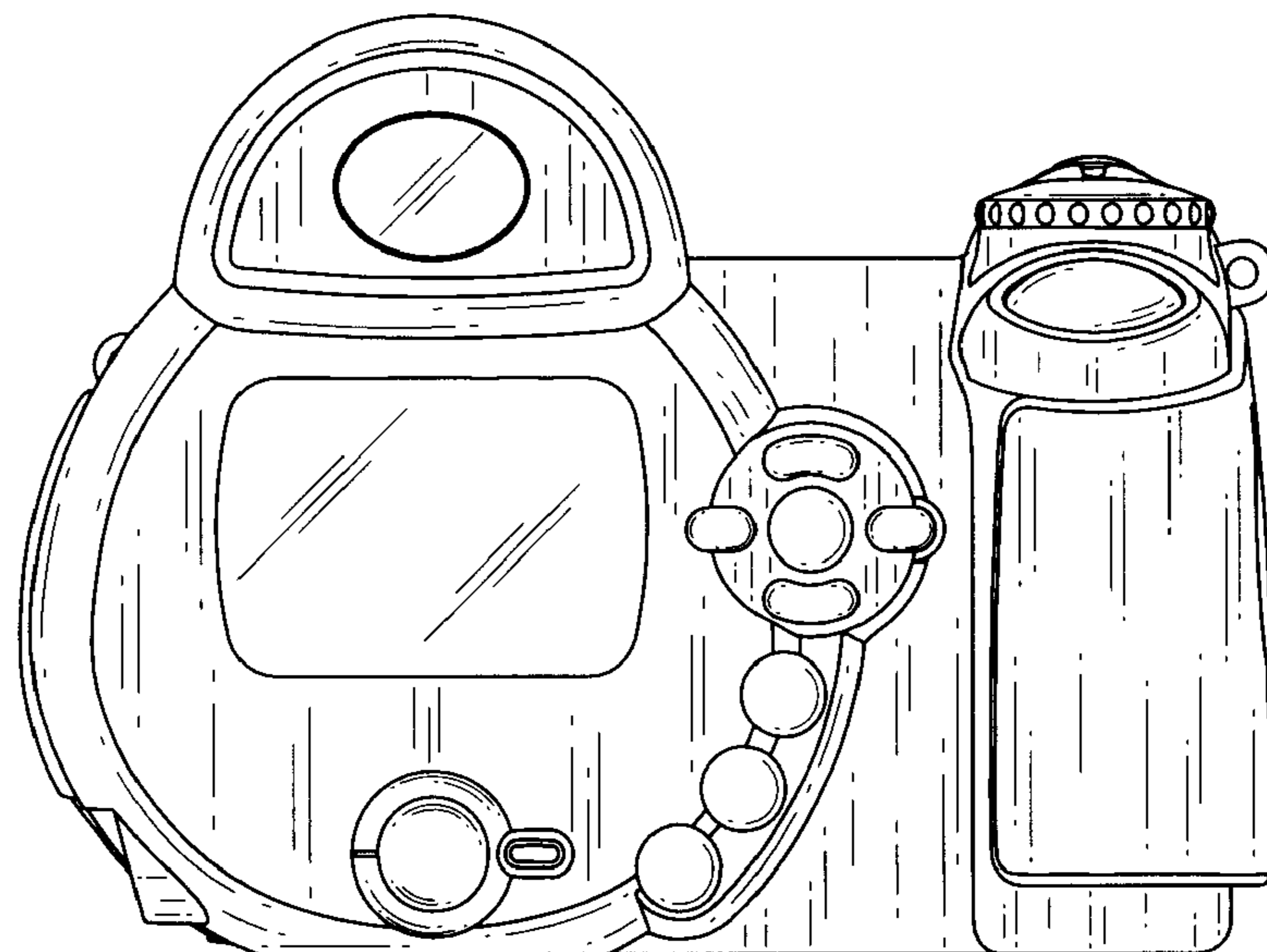


Fig. 5

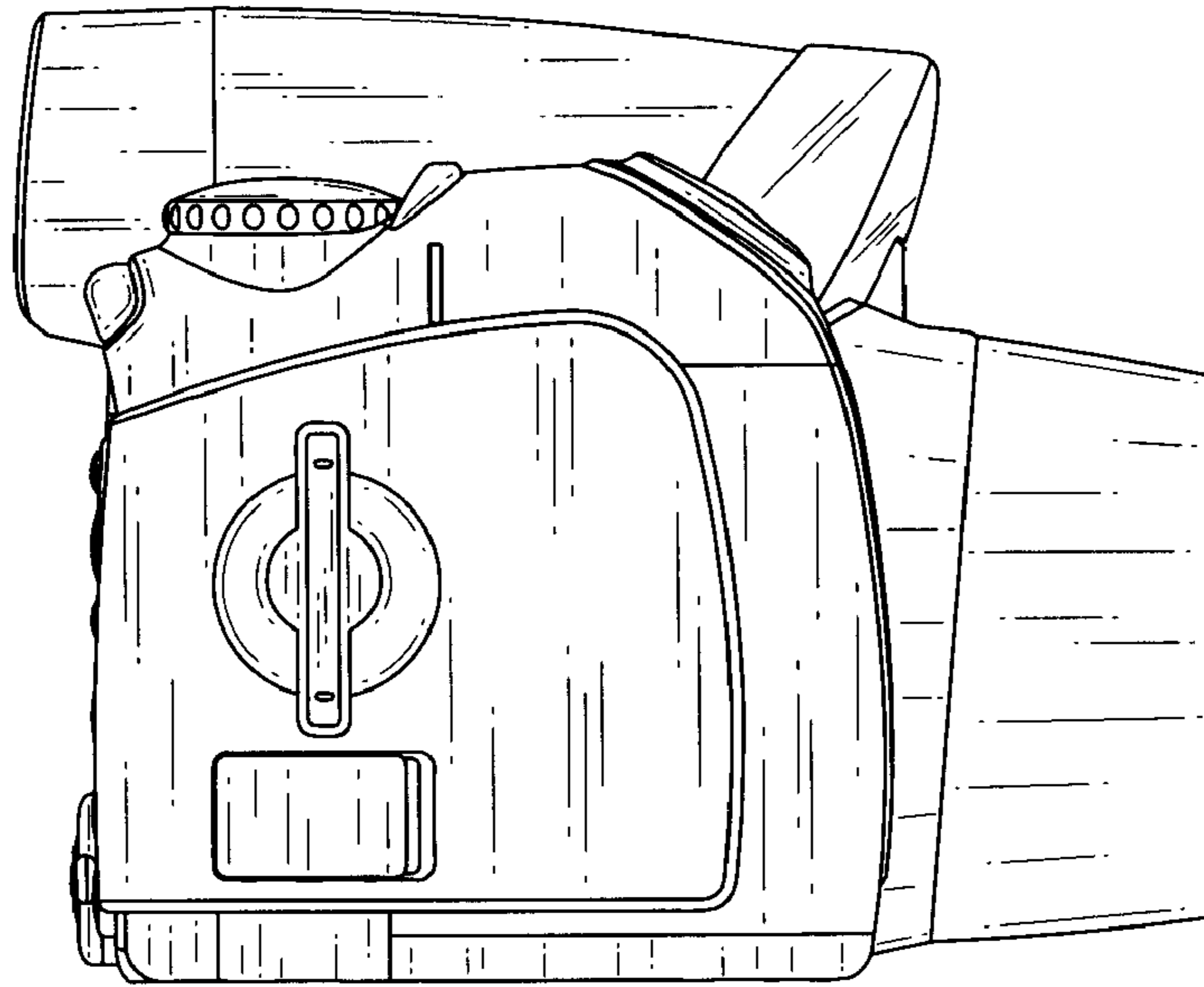


Fig. 6

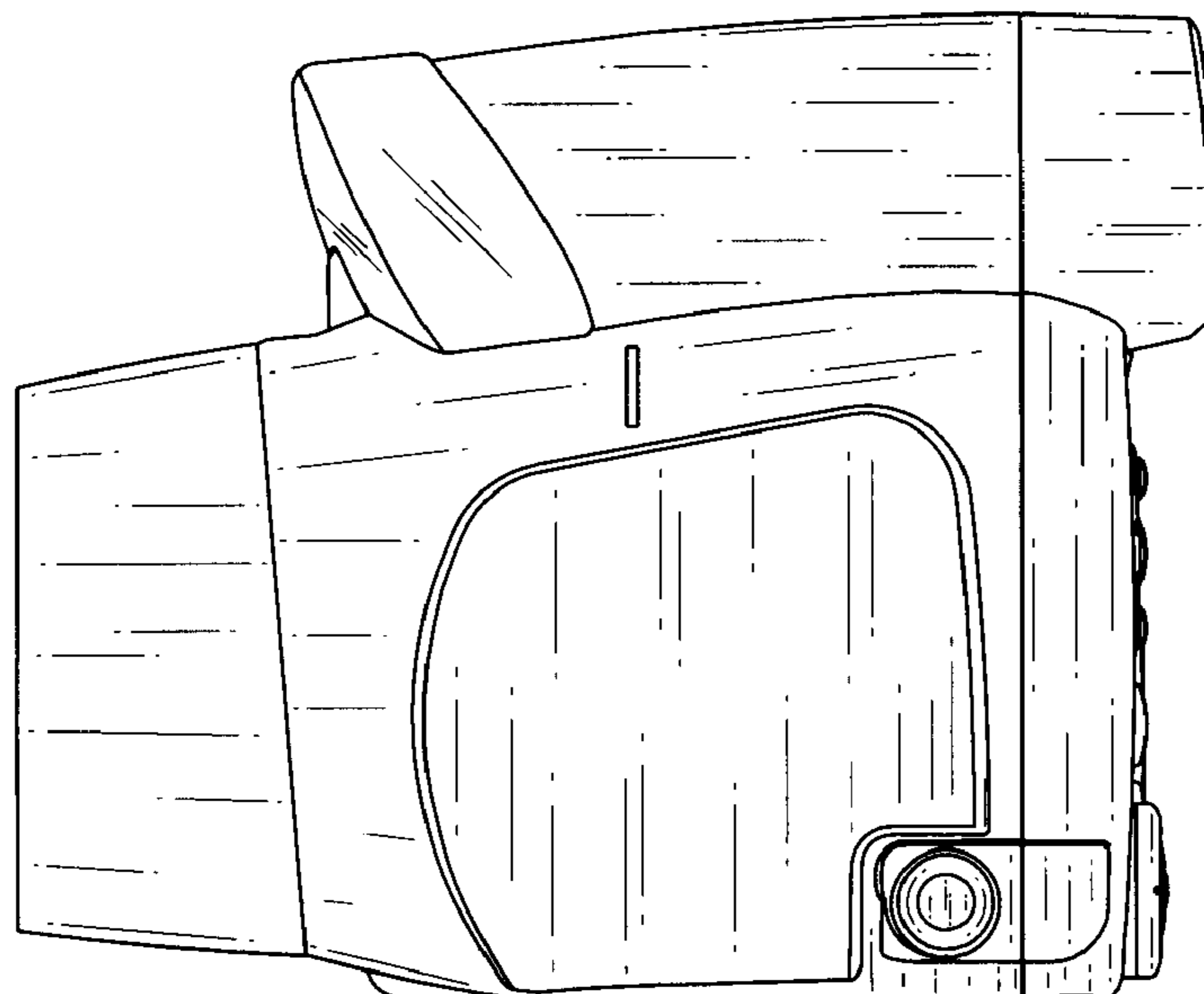


Fig. 7

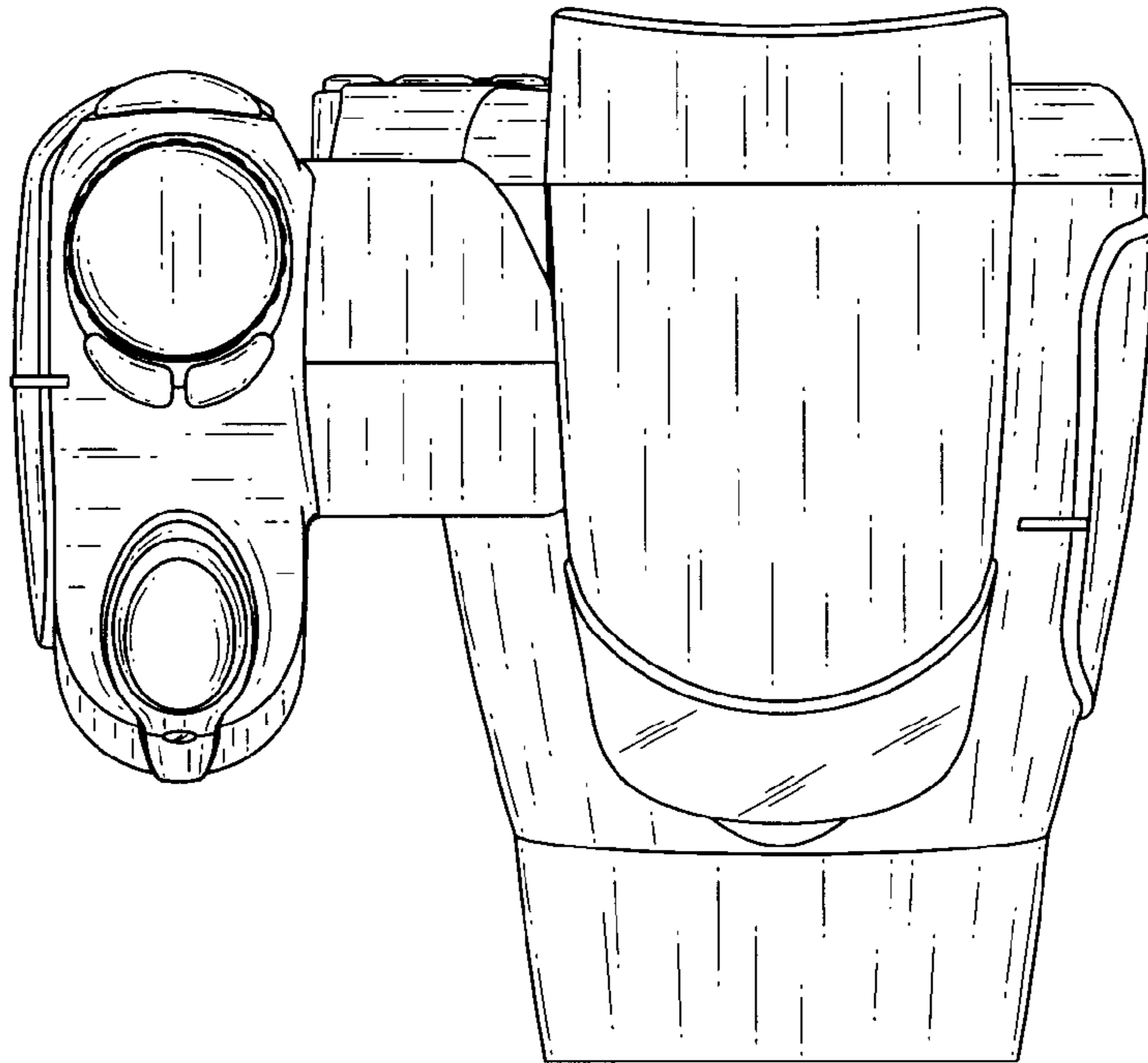


Fig. 8

