



US00D521539S

(12) **United States Design Patent**
Irby et al.

(10) **Patent No.: US D521,539 S**

(45) **Date of Patent: ** May 23, 2006**

(54) **WHEEL RECONDITIONING STATION**

(75) Inventors: **Patrick A. Irby**, Huntington Beach, CA (US); **Jason R. Irby**, Huntington Beach, CA (US)

(73) Assignee: **United Wheel Techs, Inc.**, Huntington Beach, CA (US)

(**) Term: **14 Years**

(21) Appl. No.: **29/208,235**

(22) Filed: **Jun. 25, 2004**

(51) **LOC (8) Cl.** **15-99**

(52) **U.S. Cl.** **D15/199**

(58) **Field of Classification Search** D15/122, D15/199; 29/402.01-402.21; 72/31.02, 316, 72/420, 447; 73/146; 118/35, 72, 500, 505; 134/17, 25.4, 134, 153, 126; 156/126; 157/1.1, 157/13; 144/288 A; 198/468.6; 269/71; 301/111.01, 301/37.102; 427/292, 309, 327, 388.1
See application file for complete search history.

(56) **References Cited**

U.S. PATENT DOCUMENTS

- 3,646,984 A * 3/1972 Morgan et al. 157/13
- 3,843,000 A 10/1974 Bennett
- 3,945,273 A * 3/1976 Wolk 81/15.7
- 4,009,499 A 3/1977 Casler et al.
- 4,026,756 A * 5/1977 Stanfield et al. 156/554
- 4,235,660 A * 11/1980 Rodriguez 156/516
- 4,532,665 A 8/1985 Evans et al.

- 5,058,958 A * 10/1991 Schartz 301/37.102
- 5,098,744 A * 3/1992 Enegren 427/327
- 5,161,281 A 11/1992 Hanen
- 5,197,191 A 3/1993 Dunkman et al.
- 5,226,971 A * 7/1993 Fogal et al. 134/17
- 5,244,506 A * 9/1993 Enegren 118/35
- 5,499,524 A 3/1996 Len
- 5,513,938 A 5/1996 Chambers
- 6,067,849 A * 5/2000 Church 157/1.1
- 6,217,424 B1 4/2001 Stephens
- 6,347,444 B1 2/2002 Pittman
- 6,367,303 B1 4/2002 Hizono

* cited by examiner

Primary Examiner—Antoine D. Davis

(74) *Attorney, Agent, or Firm*—Fulwider Patton LLP

(57) **CLAIM**

The ornamental design for a wheel reconditioning station, as shown and described.

DESCRIPTION

FIG. 1 is a top perspective view showing my new design; FIG. 2 is a top view thereof, in reduced scale; FIG. 3 is a front view thereof in reduced scale; FIG. 4 is a rear view thereof in reduced scale; FIG. 5 is a right hand view thereof; FIG. 6 is a left hand view thereof; FIG. 7 is a bottom view thereof; FIG. 8 is a top perspective view similar to FIG. 1, but showing the arm deployed; and, FIG. 9 is a right hand view, in reduced scale.

1 Claim, 4 Drawing Sheets

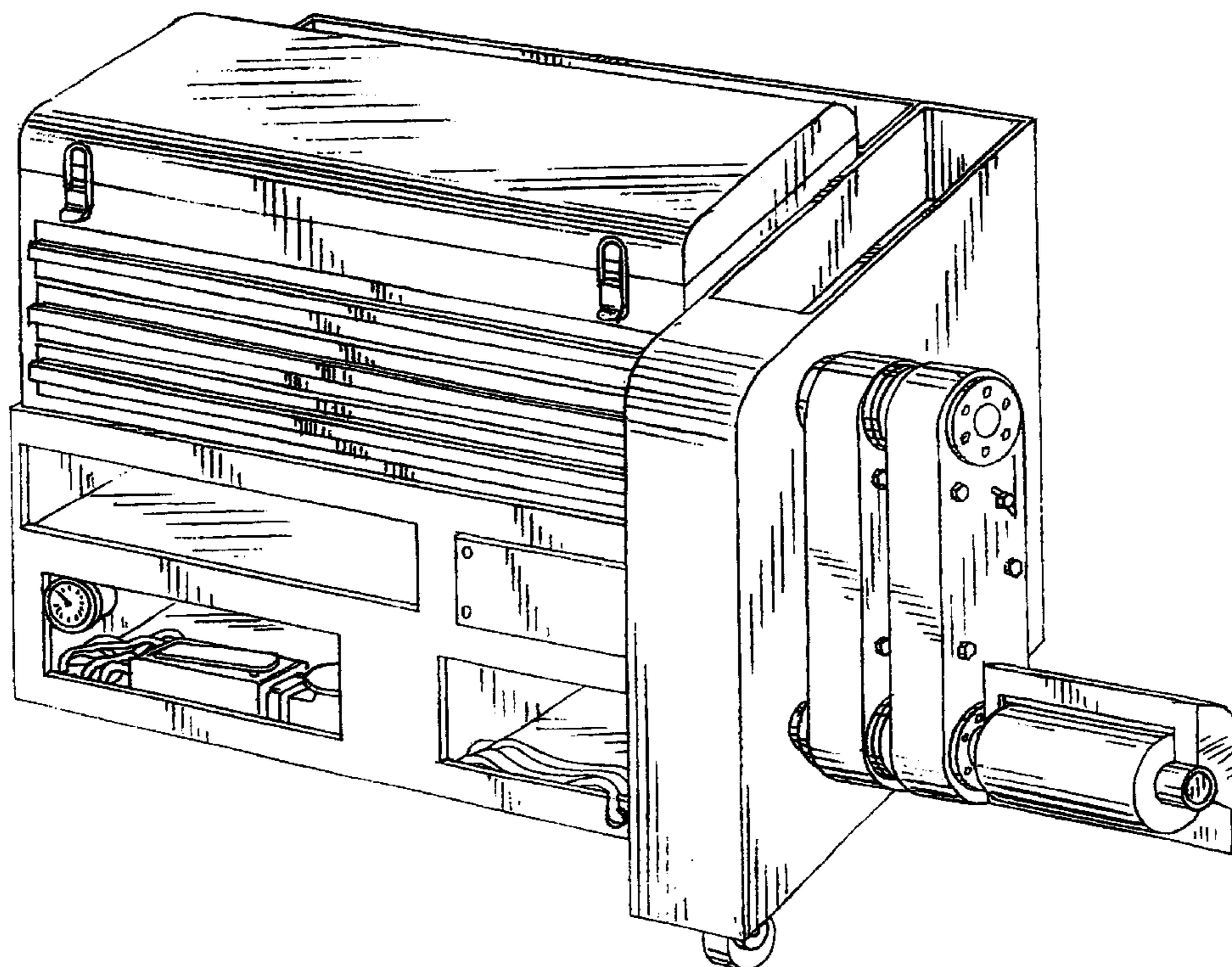


FIG. 1

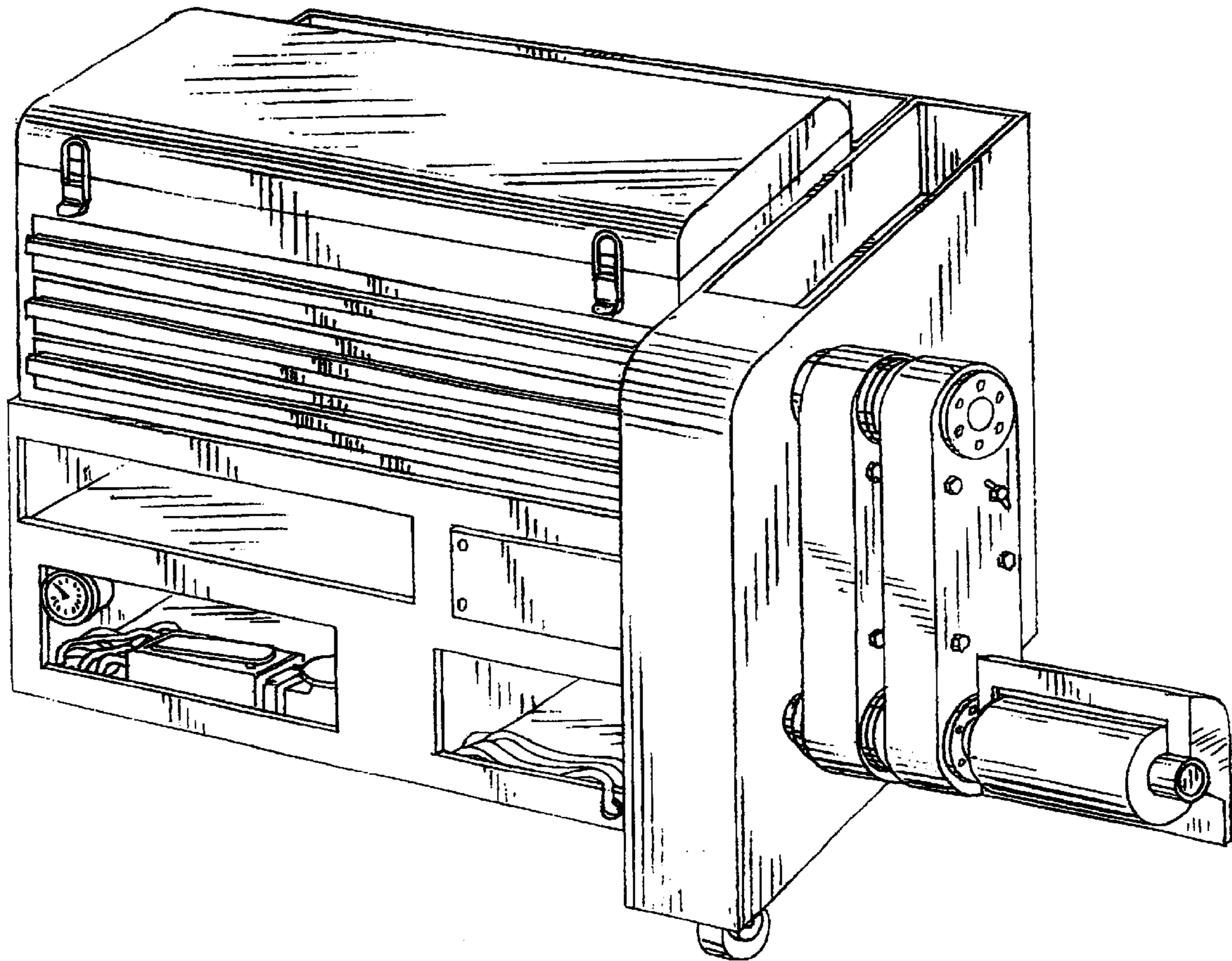


FIG. 2

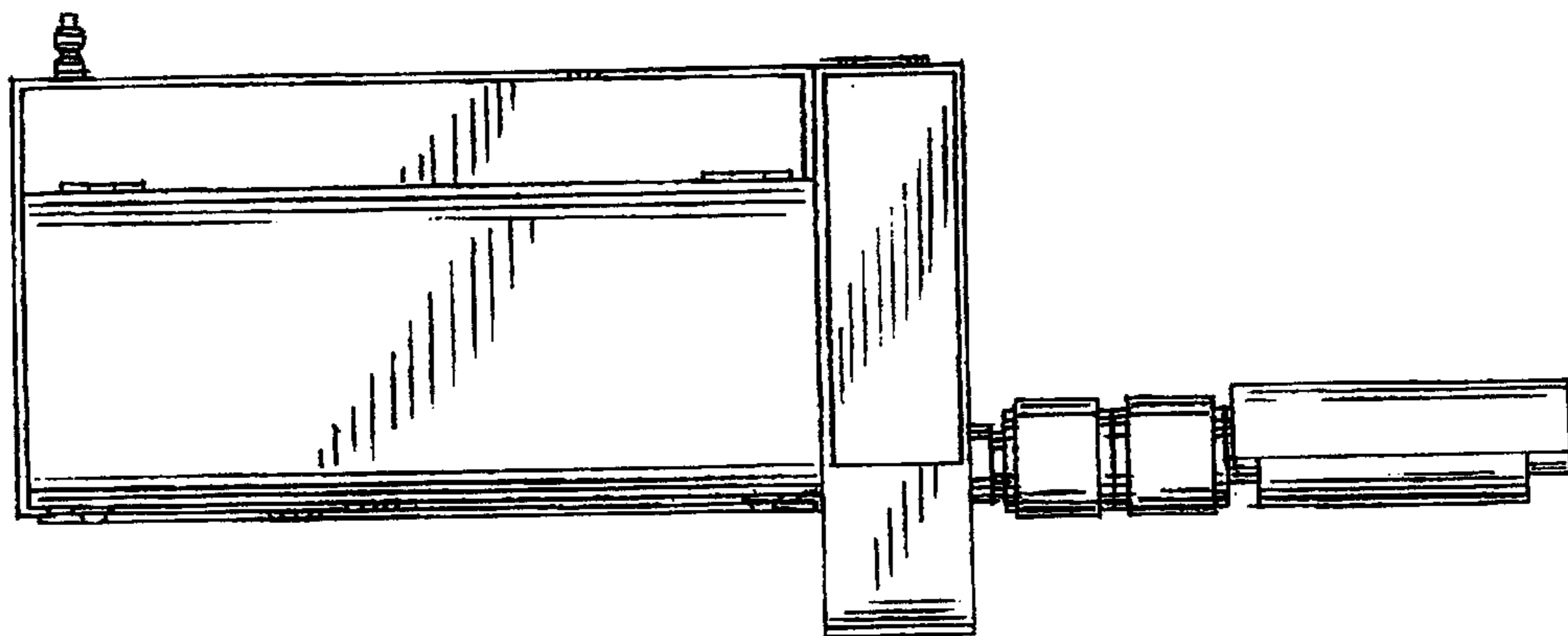


FIG. 3

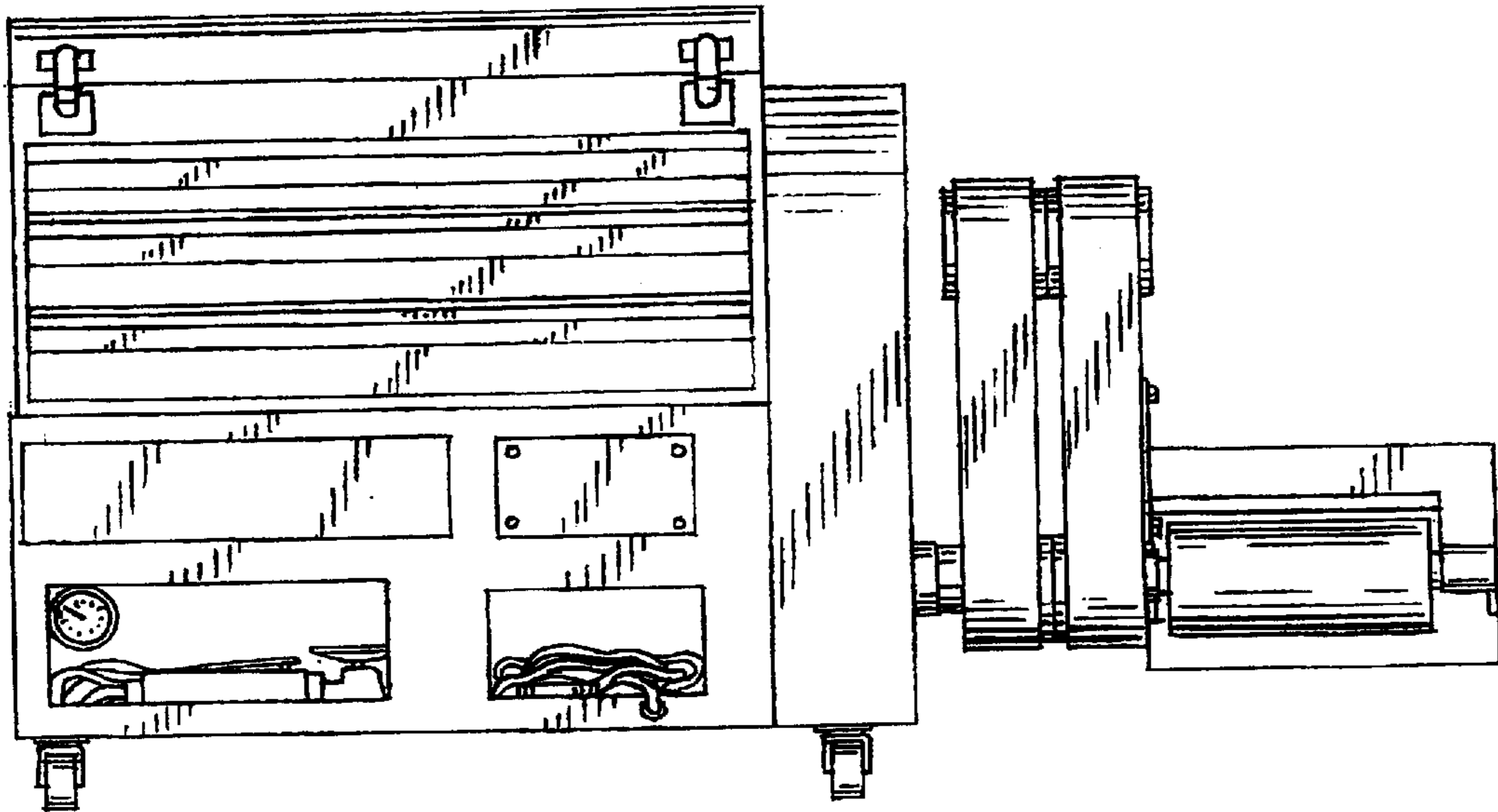


FIG. 4

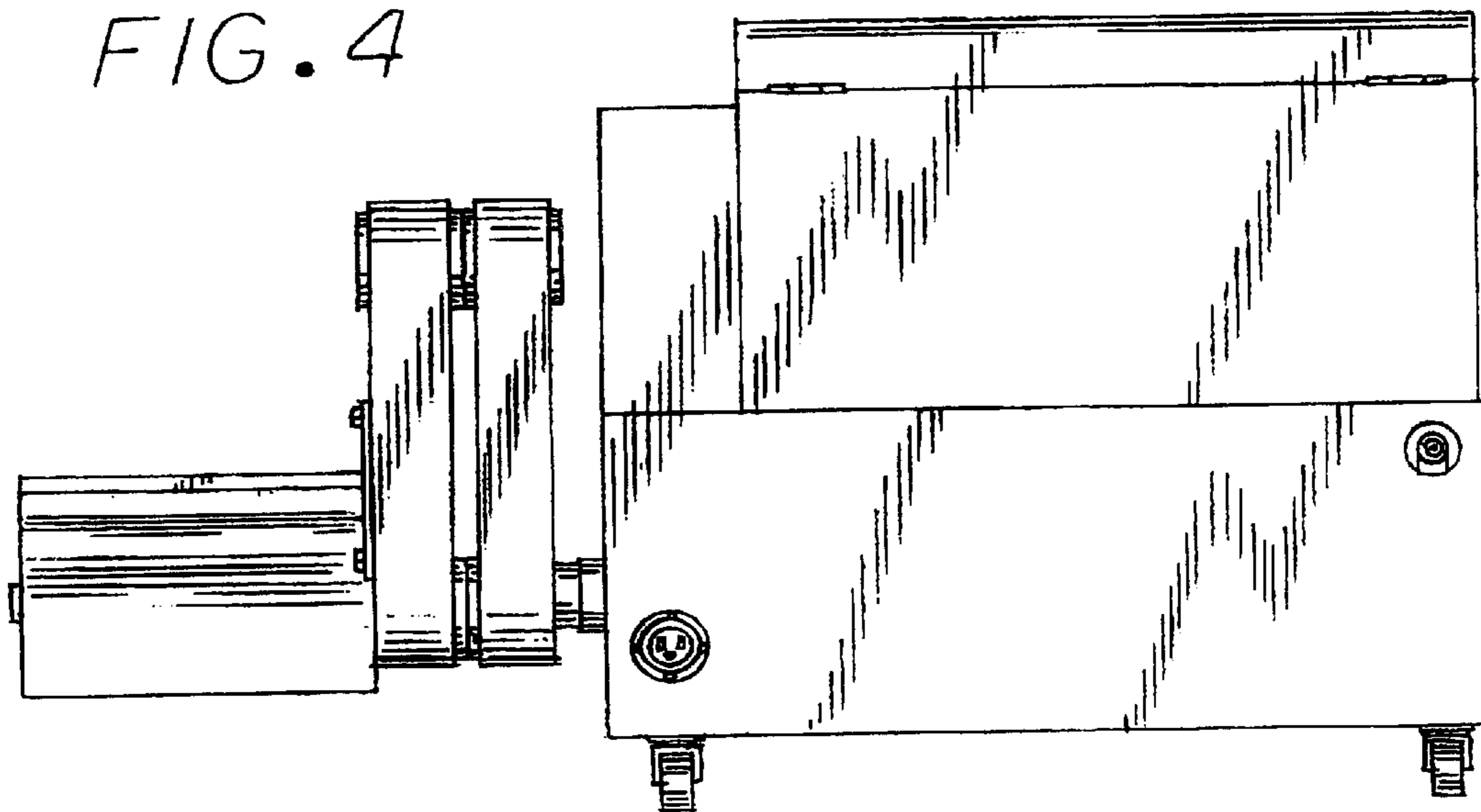


FIG. 5

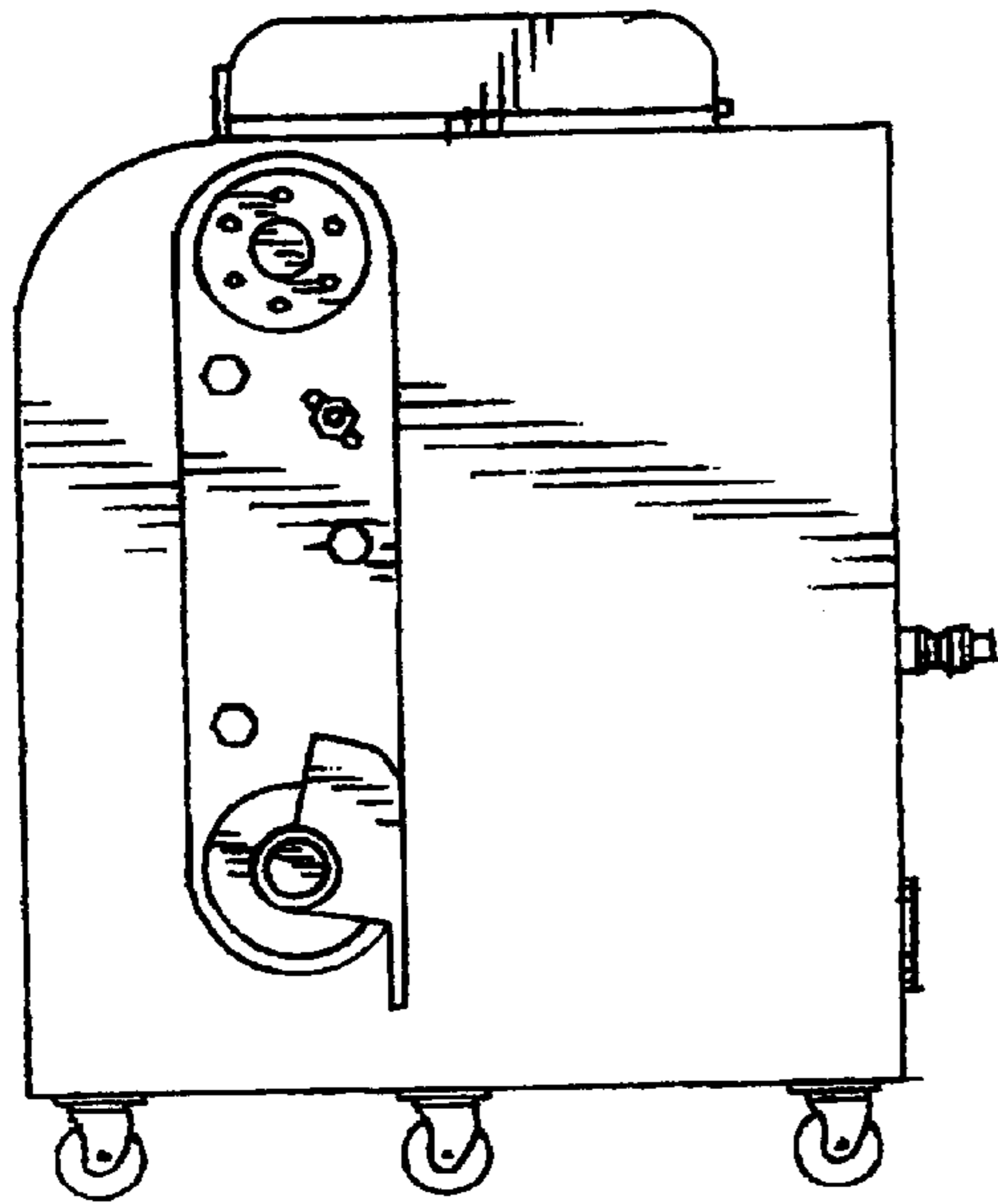


FIG. 6

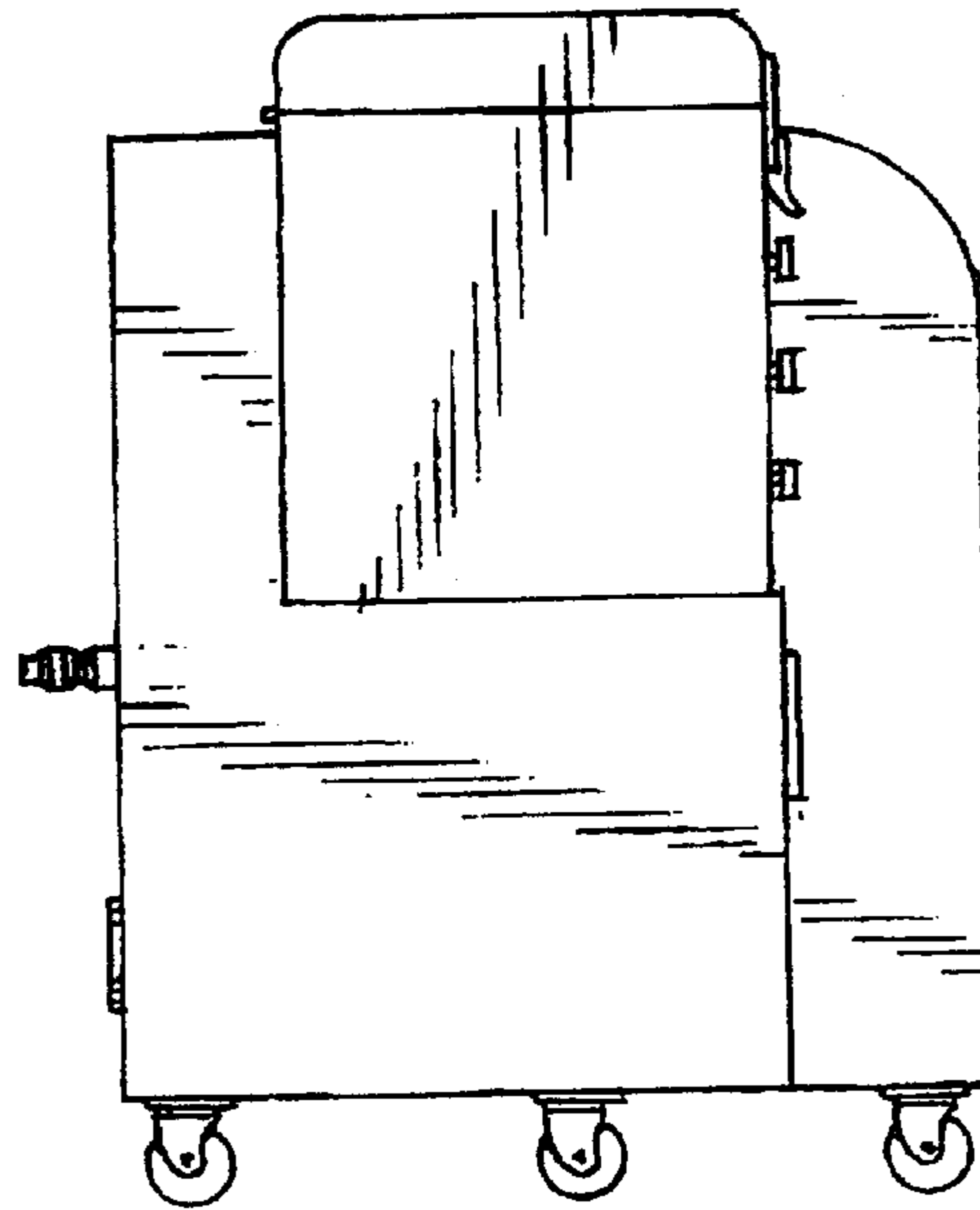
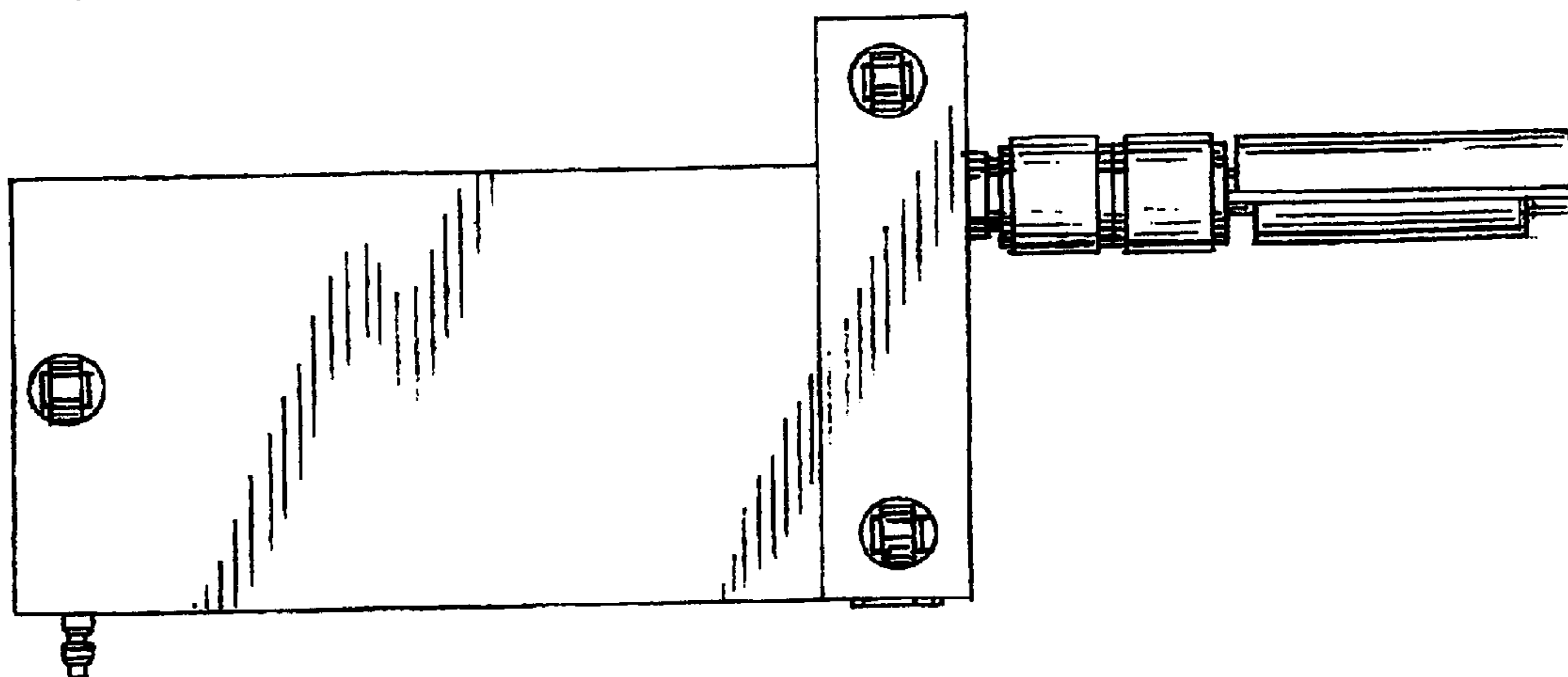


FIG. 7



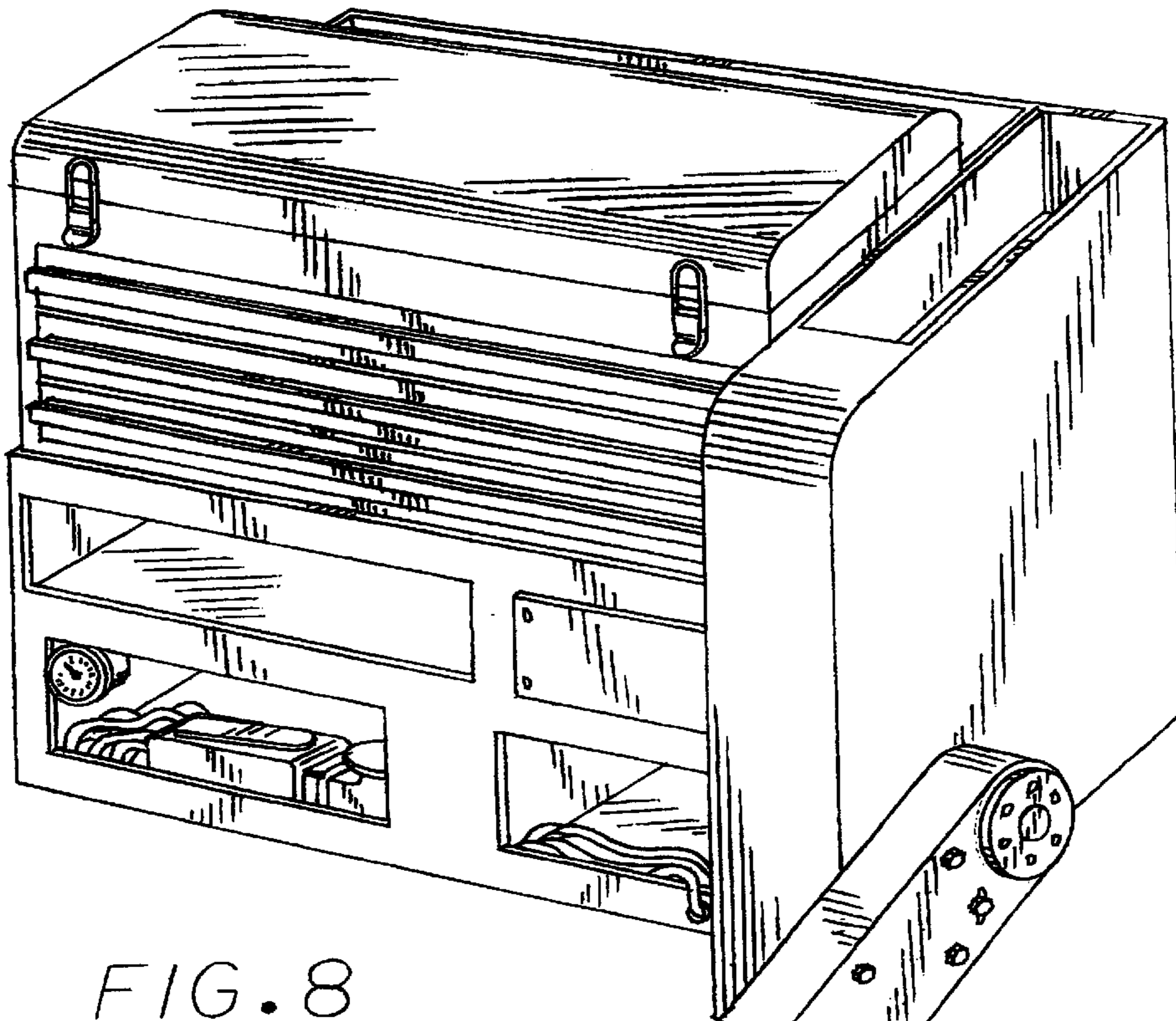


FIG. 8

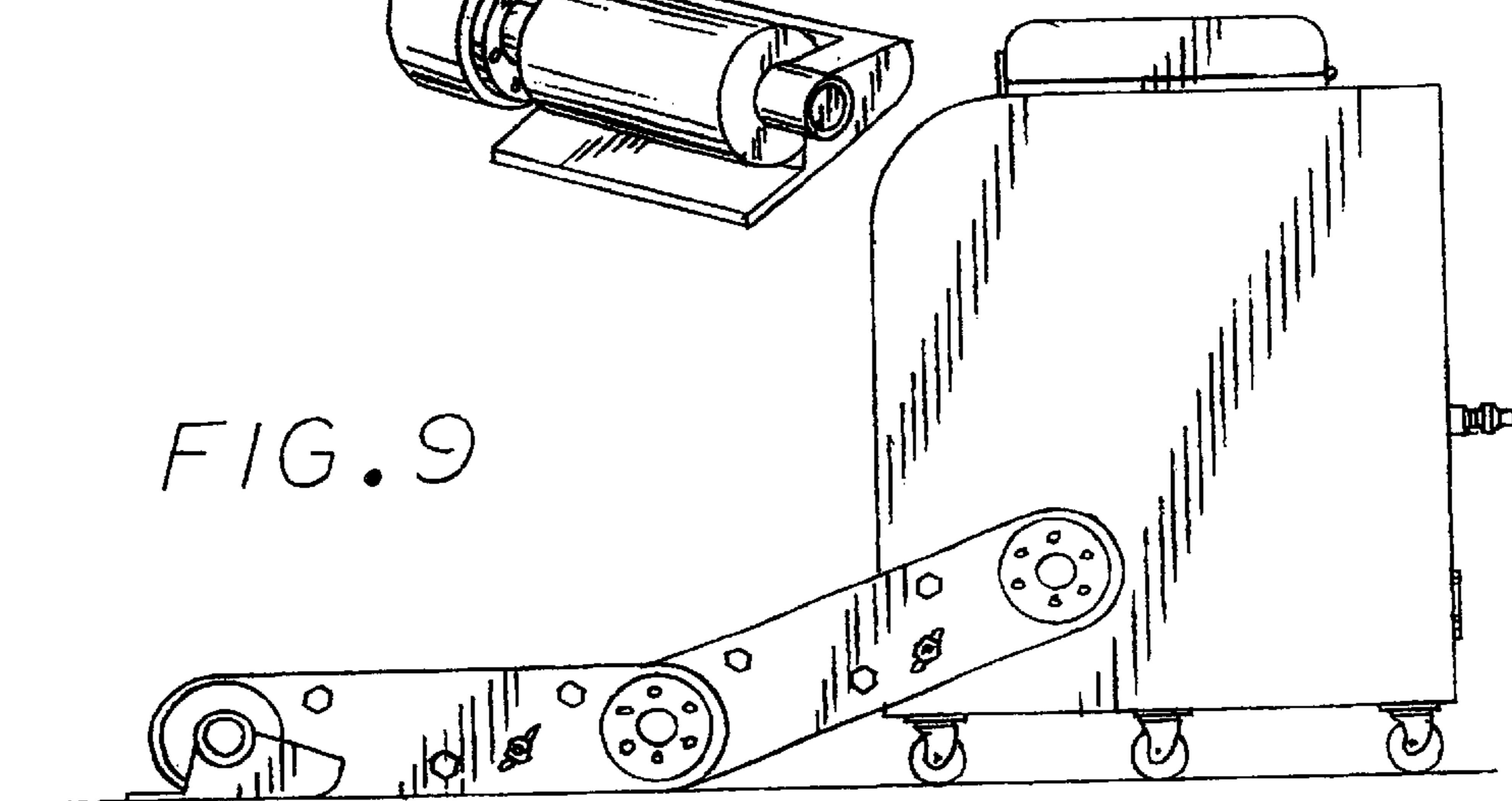


FIG. 9