



US00D521538S

(12) **United States Design Patent** (10) **Patent No.:** **US D521,538 S**
Radermacher (45) **Date of Patent:** **** May 23, 2006**

(54) **ROUTER TABLE CLAMP BOARDER**

(75) Inventor: **Uwe Radermacher**, Weibern (DE)

(73) Assignee: **wolcraft, GmbH**, Kempenich (DE)

(**) Term: **14 Years**

(21) Appl. No.: **29/211,593**

(22) Filed: **Aug. 17, 2004**

(30) **Foreign Application Priority Data**

Feb. 25, 2004 (DE) 4 04 01 211

(51) **LOC (8) Cl.** **15-09**

(52) **U.S. Cl.** **D15/140; D8/398**

(58) **Field of Classification Search** D8/395;
D15/143, 140; 24/290, 297, 463; 54/71; 101/380;
119/819; 192/43.1; 248/74.2; 433/122

See application file for complete search history.

(56) **References Cited**

U.S. PATENT DOCUMENTS

4,943,183 A * 7/1990 Nakano 248/74.2

D312,818 S * 12/1990 Bayat D13/154

5,848,456 A * 12/1998 Sjoqvist 24/618

D508,397 S * 8/2005 Volk et al. D8/395

* cited by examiner

Primary Examiner—Antoine D. Davis

Assistant Examiner—Patricia Palasik

(74) *Attorney, Agent, or Firm*—Everest Intellectual Property Law Group; Michael S. Leonard

(57) **CLAIM**

The ornamental design for a router table clamp boarder, as shown and described.

DESCRIPTION

FIG. 1 is a front view of a router table clamp boarder of the claimed design.

FIG. 2 is a left side view of the router table clamp boarder of FIG. 1.

FIG. 3 is a back side view of the router table clamp boarder of FIG. 1.

FIG. 4 is a right side view of the router table clamp boarder of FIG. 1.

FIG. 5 is a top view of the router table clamp boarder table of FIG. 1.

FIG. 6 is a bottom view of the router table clamp boarder of FIG. 1.

FIG. 7 is a perspective view of the router table clamp boarder of FIG. 1 from the front side; and,

FIG. 8 is a perspective view of the router table clamp boarder of FIG. 1 from the back side.

1 Claim, 2 Drawing Sheets

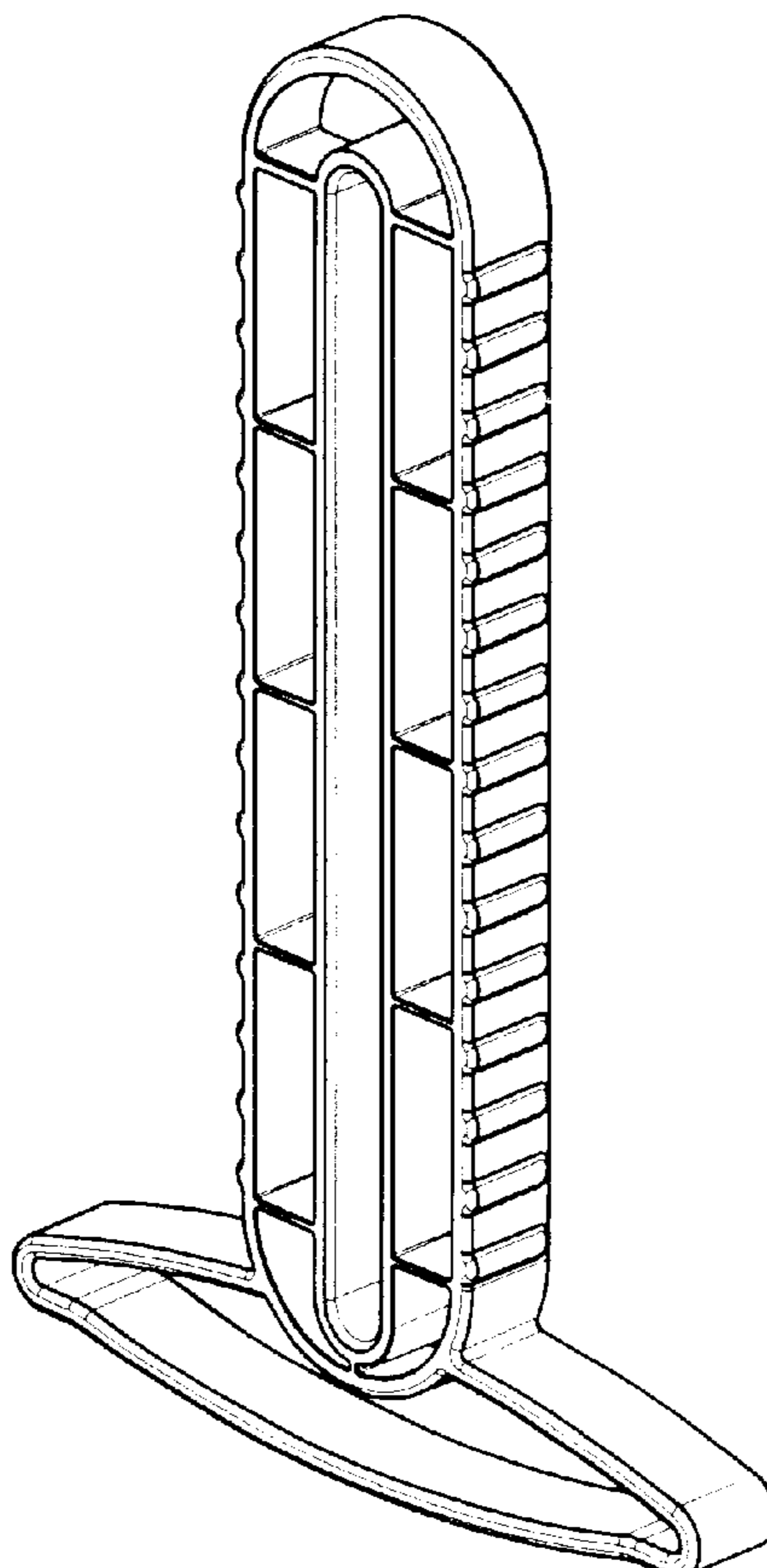


FIG. 1

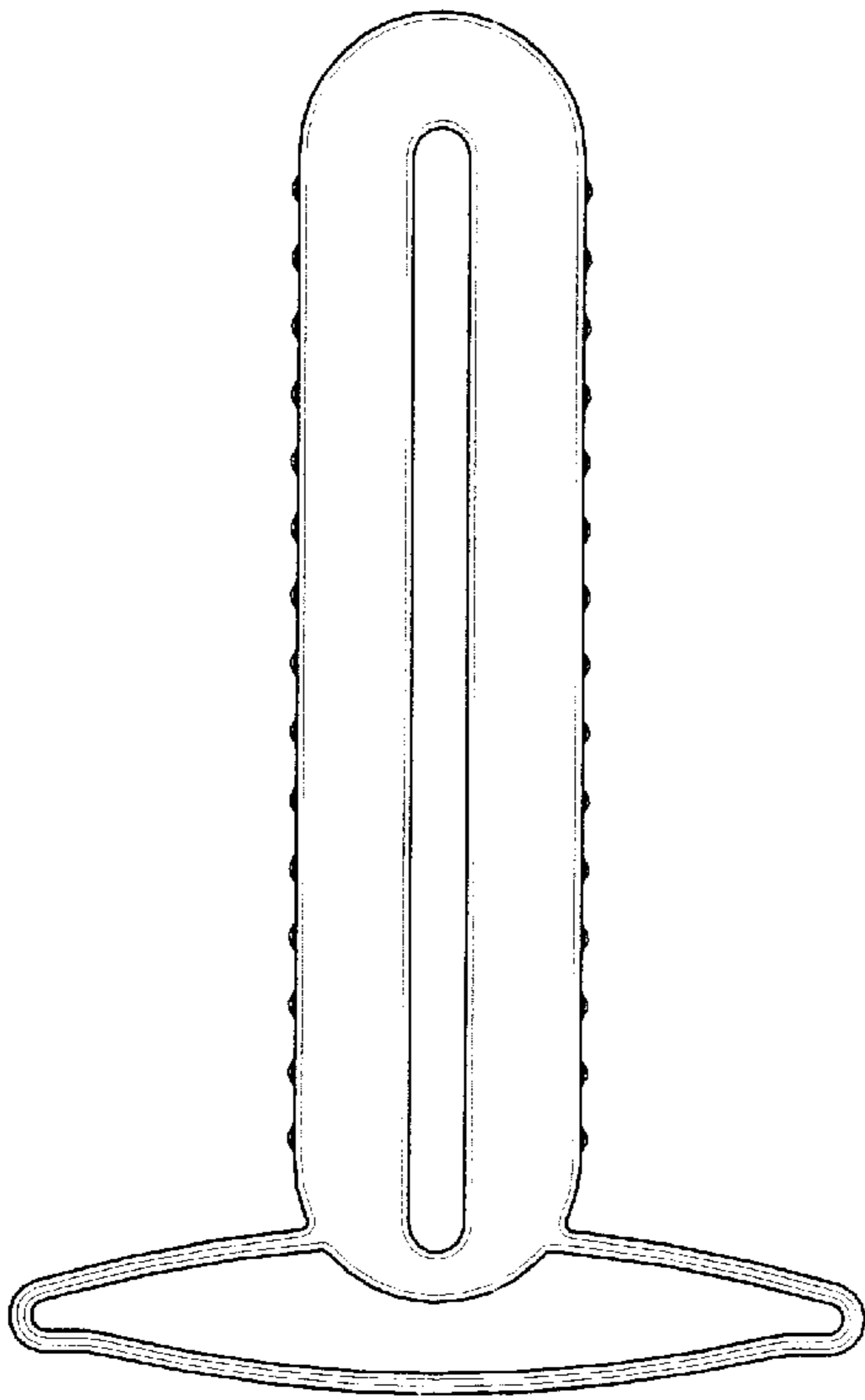


FIG. 2

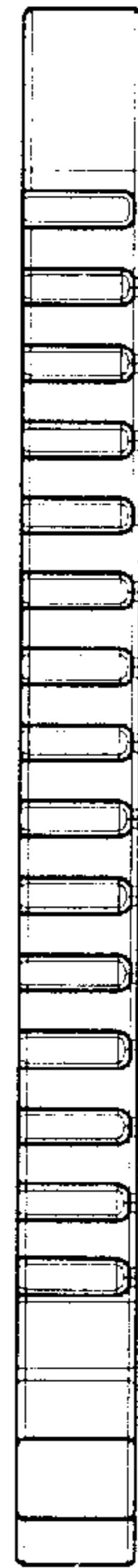


FIG. 3

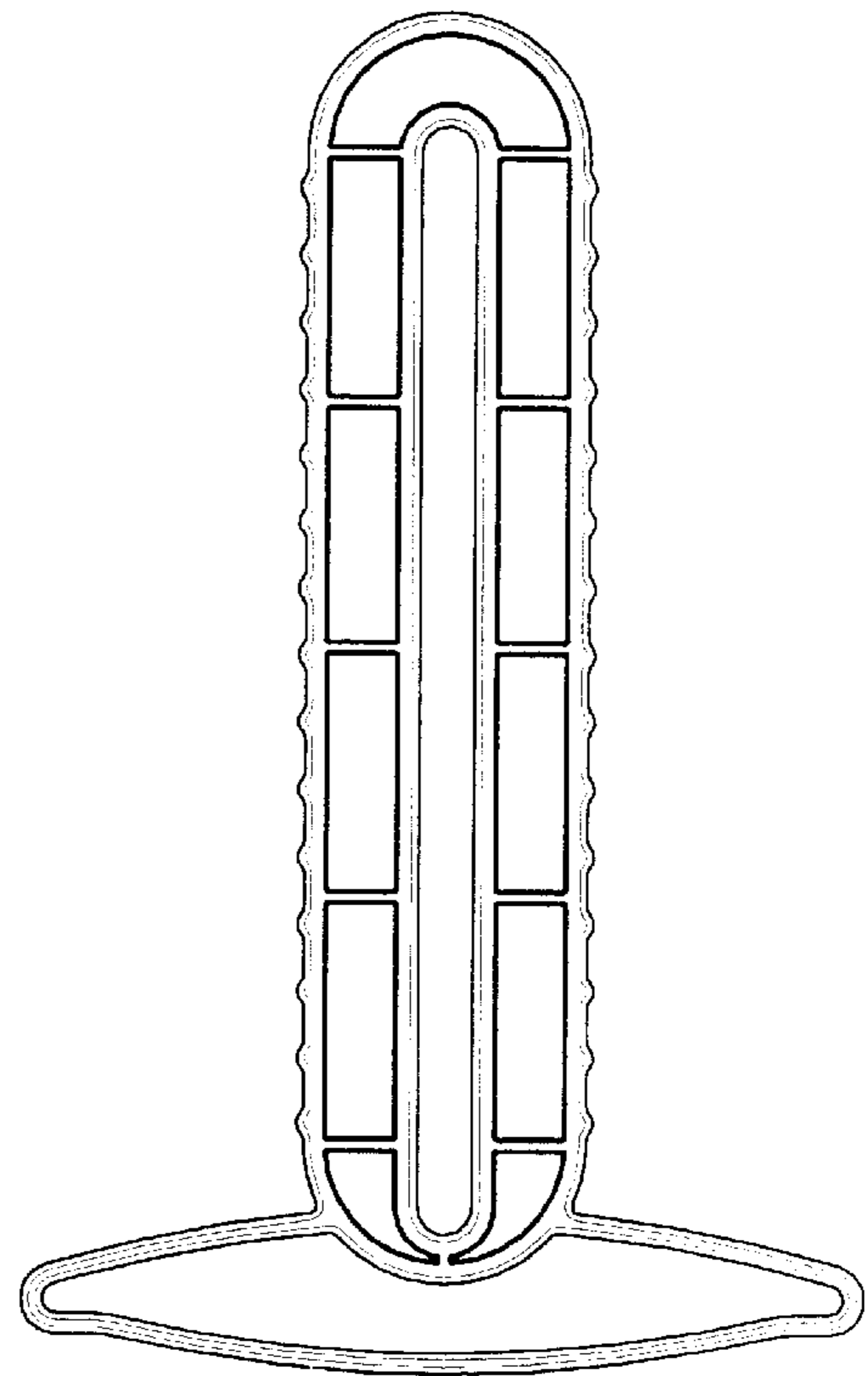


FIG. 4

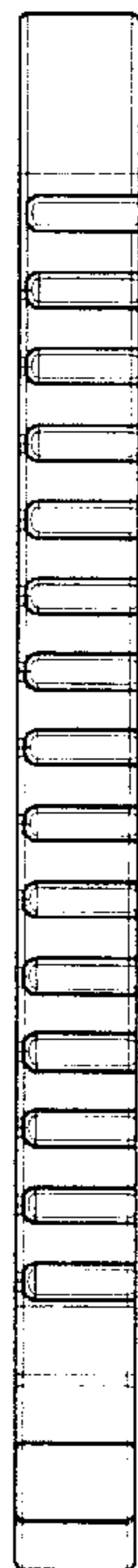


FIG. 5



FIG. 6



FIG. 7

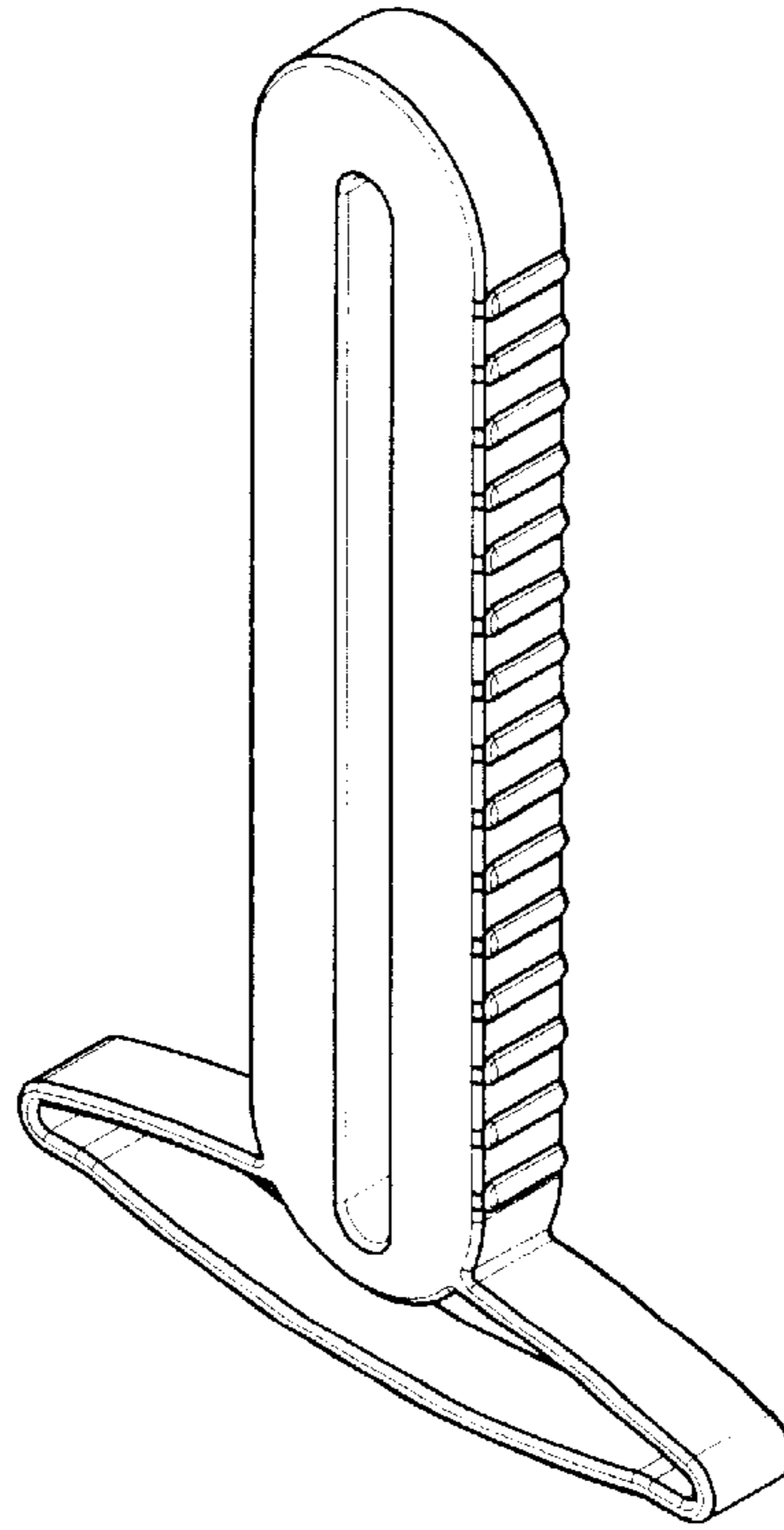


FIG. 8

