

US00D521536S

(12) **United States Design Patent**
Reese et al.

(10) **Patent No.:** **US D521,536 S**

(45) **Date of Patent:** **** May 23, 2006**

(54) **HANDLE FOR A BOTTLE COOLER**

(75) Inventors: **Robert J. Reese**, Spartanburg, SC (US);
Ronald D. Upton, Spartanburg, SC
(US)

(73) Assignee: **Carrier Corporation**, Farmington, CT
(US)

(**) Term: **14 Years**

(21) Appl. No.: **29/208,752**

(22) Filed: **Jul. 2, 2004**

(51) **LOC (8) Cl.** **15-07**

(52) **U.S. Cl.** **D15/89**

(58) **Field of Classification Search** D15/79,
D15/89-91; D8/300, 313, 314; 62/3.6, 246-255,
62/265, 275, 337, 344, 377, 384, 389, 440-456,
62/467, 529; 312/236, 401-408
See application file for complete search history.

(56) **References Cited**

U.S. PATENT DOCUMENTS

D182,558 S * 4/1958 Willman D8/313

D402,529 S * 12/1998 Husted D8/313
D420,015 S * 2/2000 DeBoer D15/89
D430,174 S * 8/2000 Negrao et al. D15/89
D504,902 S * 5/2005 Tunzi D15/91

* cited by examiner

Primary Examiner—Nanda Bondade

Assistant Examiner—Shanda C. Hill

(74) *Attorney, Agent, or Firm*—Wall Marjama & Bilinski
LLP

(57) **CLAIM**

The ornamental design for a handle for a bottle cooler, as shown and described.

DESCRIPTION

FIG. 1 is a perspective view of a handle for a bottle cooler showing our new design;

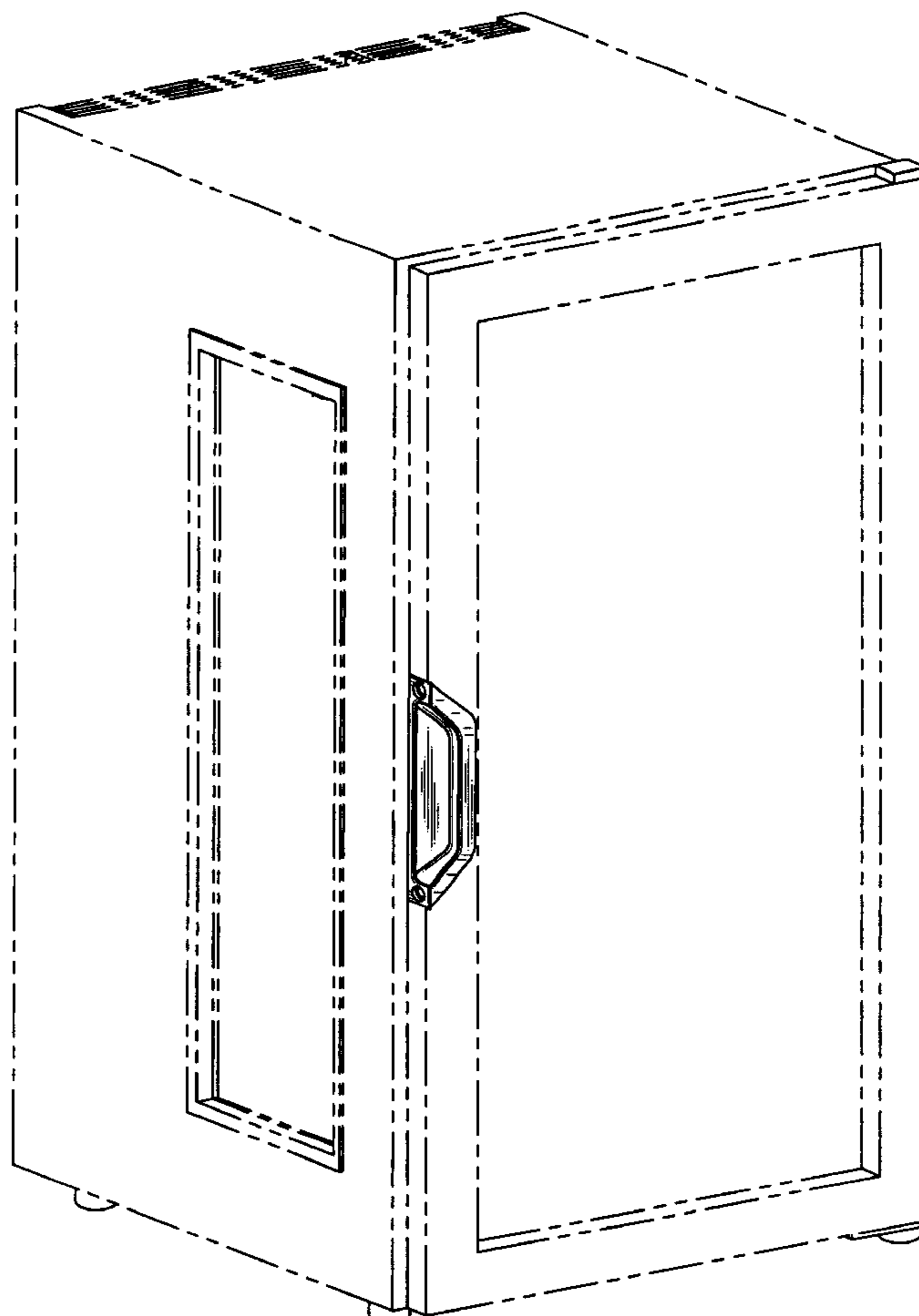
FIG. 2 is an enlarged perspective view thereof;

FIG. 3 is an enlarged left side elevational view thereof; and,

FIG. 4 is an enlarged front elevational view thereof.

The broken lines shown in the drawing disclosure are for illustrative purposes only and form no part of the claimed design.

1 Claim, 2 Drawing Sheets



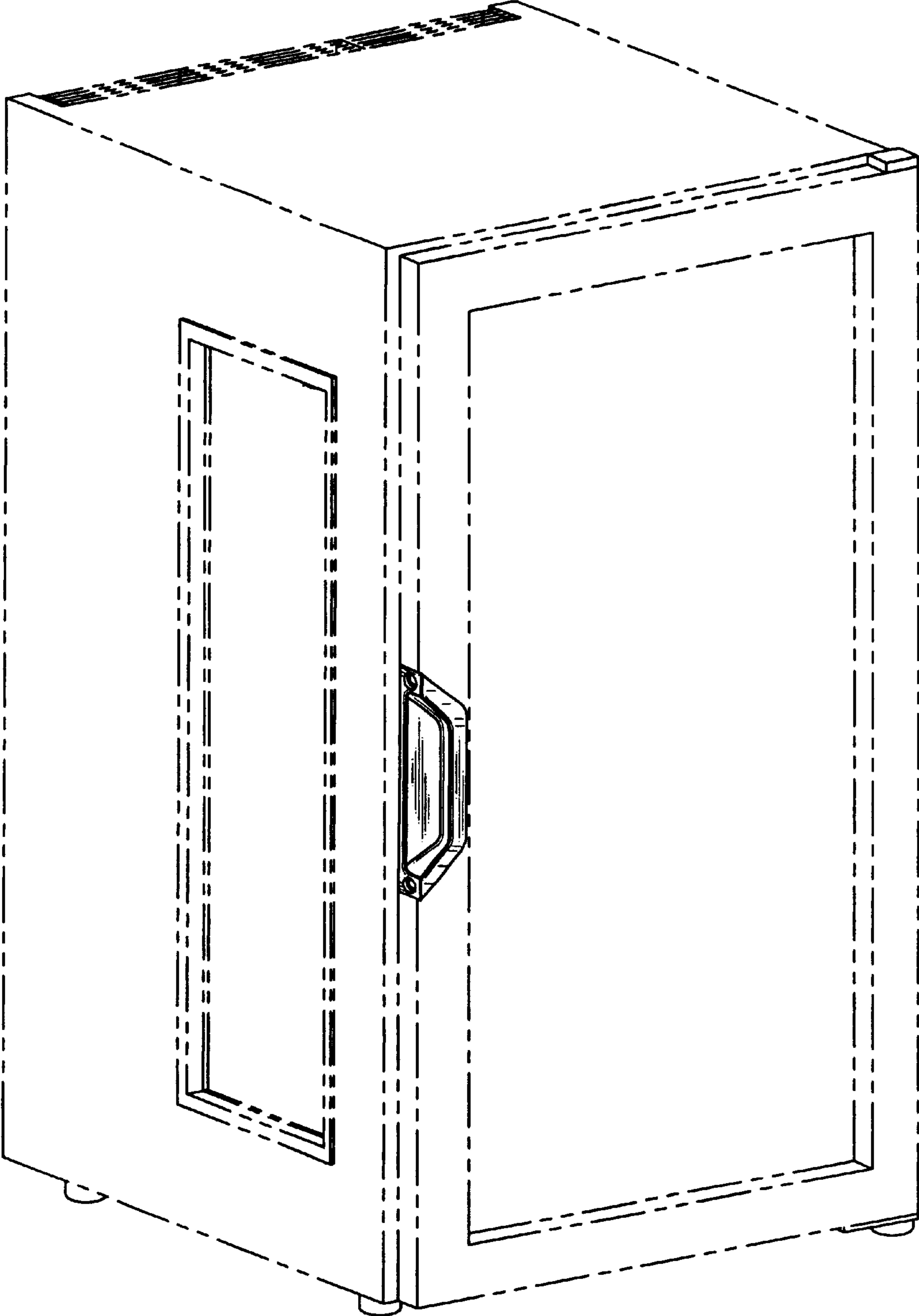


FIG.1

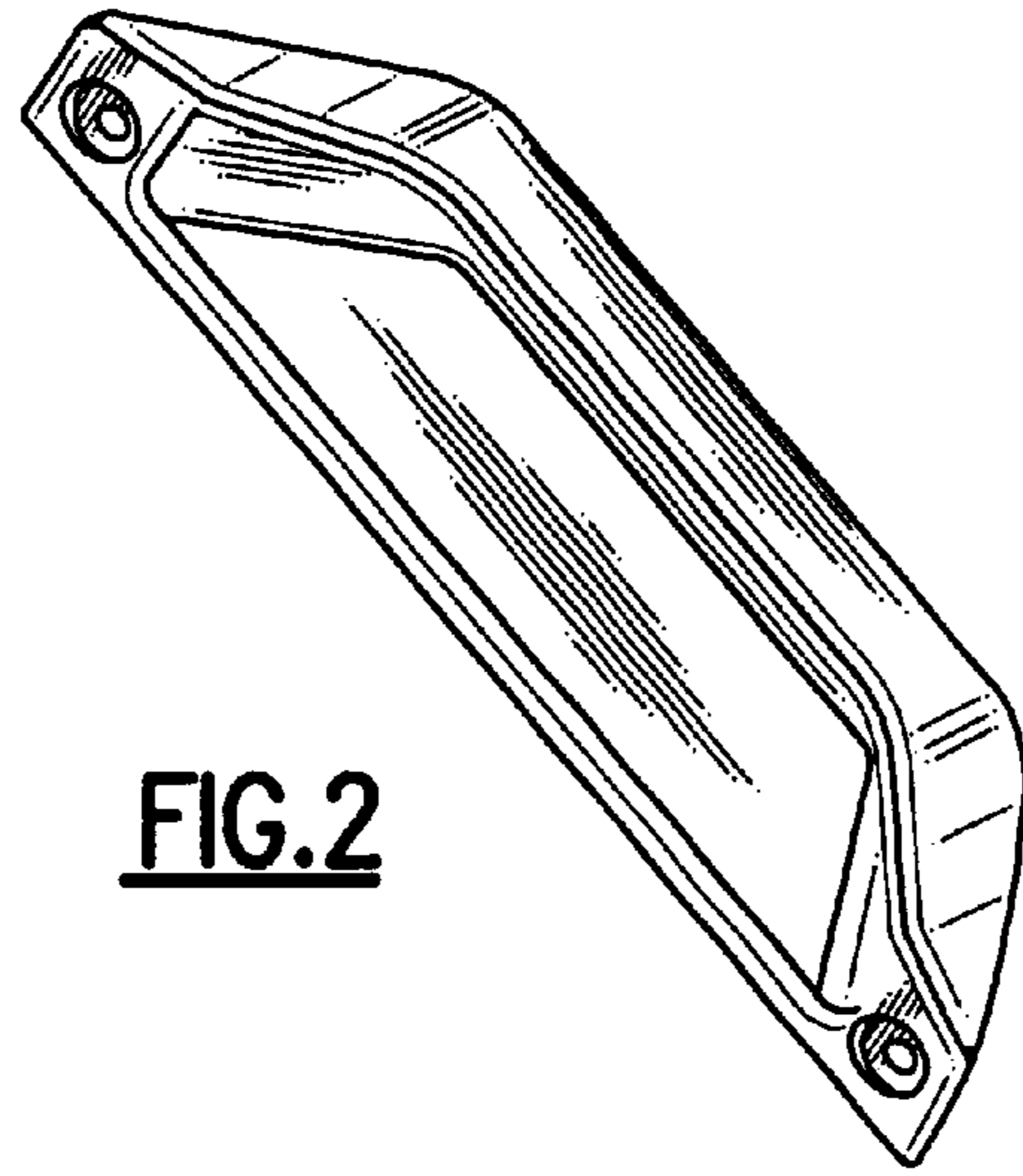


FIG. 2

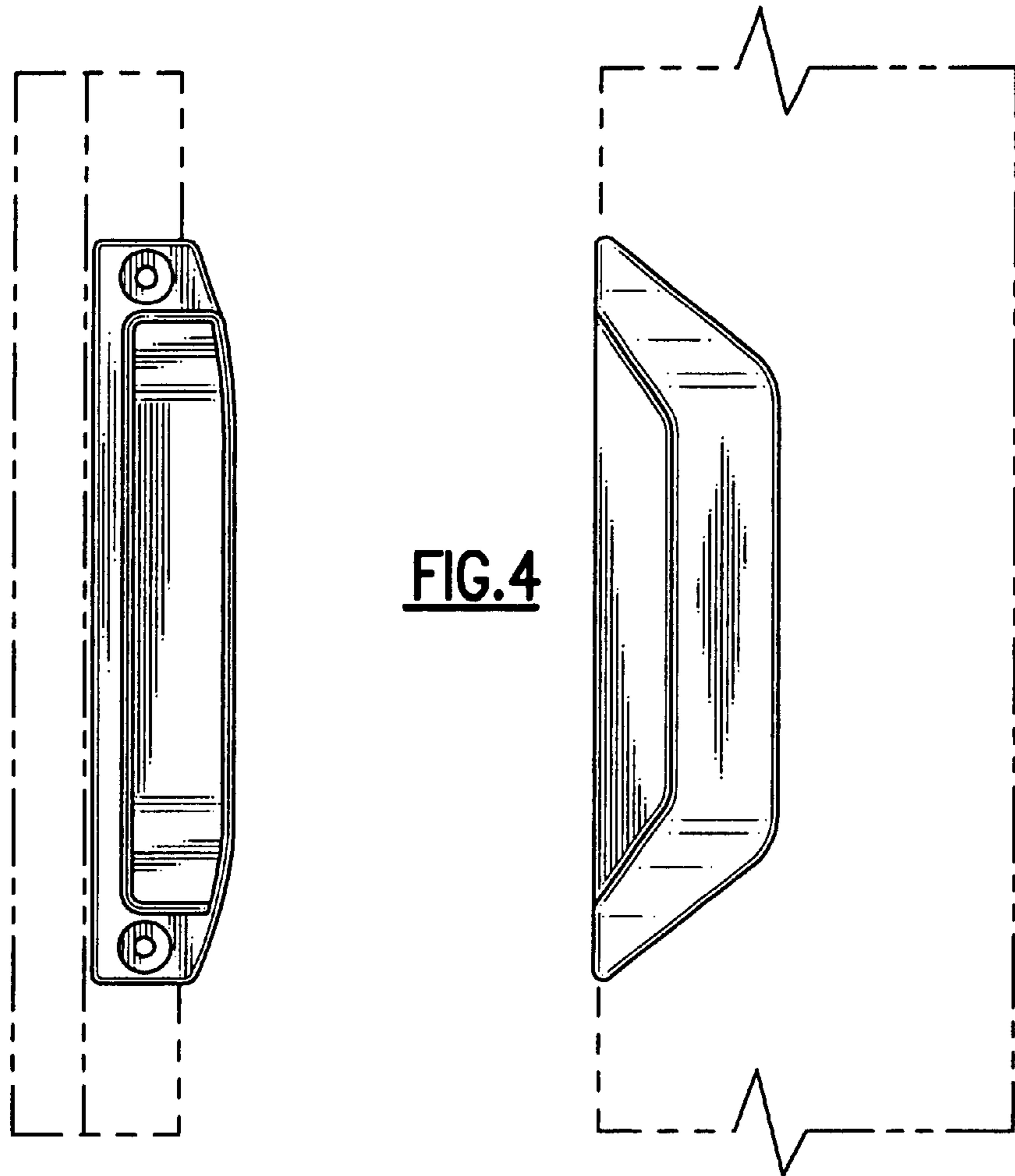


FIG. 3

FIG. 4