

US00D521534S

(12) **United States Design Patent**
Kawaguchi

(10) **Patent No.:** **US D521,534 S**

(45) **Date of Patent:** **** May 23, 2006**

(54) **SEWING MACHINE**

(75) Inventor: **Kiyomi Kawaguchi**, Tokyo (JP)

(73) Assignee: **Janome Sewing Machine Co., Ltd.**,
Tokyo (JP)

(**) Term: **14 Years**

(21) Appl. No.: **29/217,839**

(22) Filed: **Nov. 24, 2004**

(30) **Foreign Application Priority Data**

May 28, 2004 (JP) 2004-015818

(51) **LOC (8) Cl.** **15-07**

(52) **U.S. Cl.** **D15/70; D15/69**

(58) **Field of Classification Search** D15/66,
D15/69, 70; 112/154, 444, 63, 217.1, 217.2,
112/217.3, 217.4, 258-260; D21/527
See application file for complete search history.

(56) **References Cited**

U.S. PATENT DOCUMENTS

- D309,739 S * 8/1990 Itoh et al. D15/69
- D321,518 S * 11/1991 Uchida D15/69
- D338,022 S * 8/1993 Takada et al. D15/69
- D392,294 S * 3/1998 Kato et al. D15/69
- D450,721 S * 11/2001 Kawaguchi D15/69
- D462,368 S * 9/2002 Kuroki D15/69

- D465,793 S * 11/2002 Takada et al. D15/69
- D478,337 S * 8/2003 Kuroki D15/69
- D492,703 S * 7/2004 Kuroki D15/69
- D492,704 S * 7/2004 Kuroki D15/69

* cited by examiner

Primary Examiner—Stella Reid

Assistant Examiner—Shanda C. Hill

(74) *Attorney, Agent, or Firm*—McGinn & Gibb, PLLC

(57) **CLAIM**

The ornamental design for a sewing machine, as shown and described.

DESCRIPTION

FIG. 1 is a front elevational view of a sewing machine showing my new design;
 FIG. 2 is a rear elevational view thereof;
 FIG. 3 is a left side elevational view thereof;
 FIG. 4 is a right side elevational view thereof;
 FIG. 5 is a top plan view thereof;
 FIG. 6 is a bottom plan view thereof;
 FIG. 7 is a perspective view thereof;
 FIG. 8 is a perspective view thereof, rotated 45° of that shown in FIG. 7;
 FIG. 9 is an exploded view thereof; and,
 FIG. 10 is an exploded view thereof, rotated 45° of that shown in FIG. 9.

1 Claim, 9 Drawing Sheets

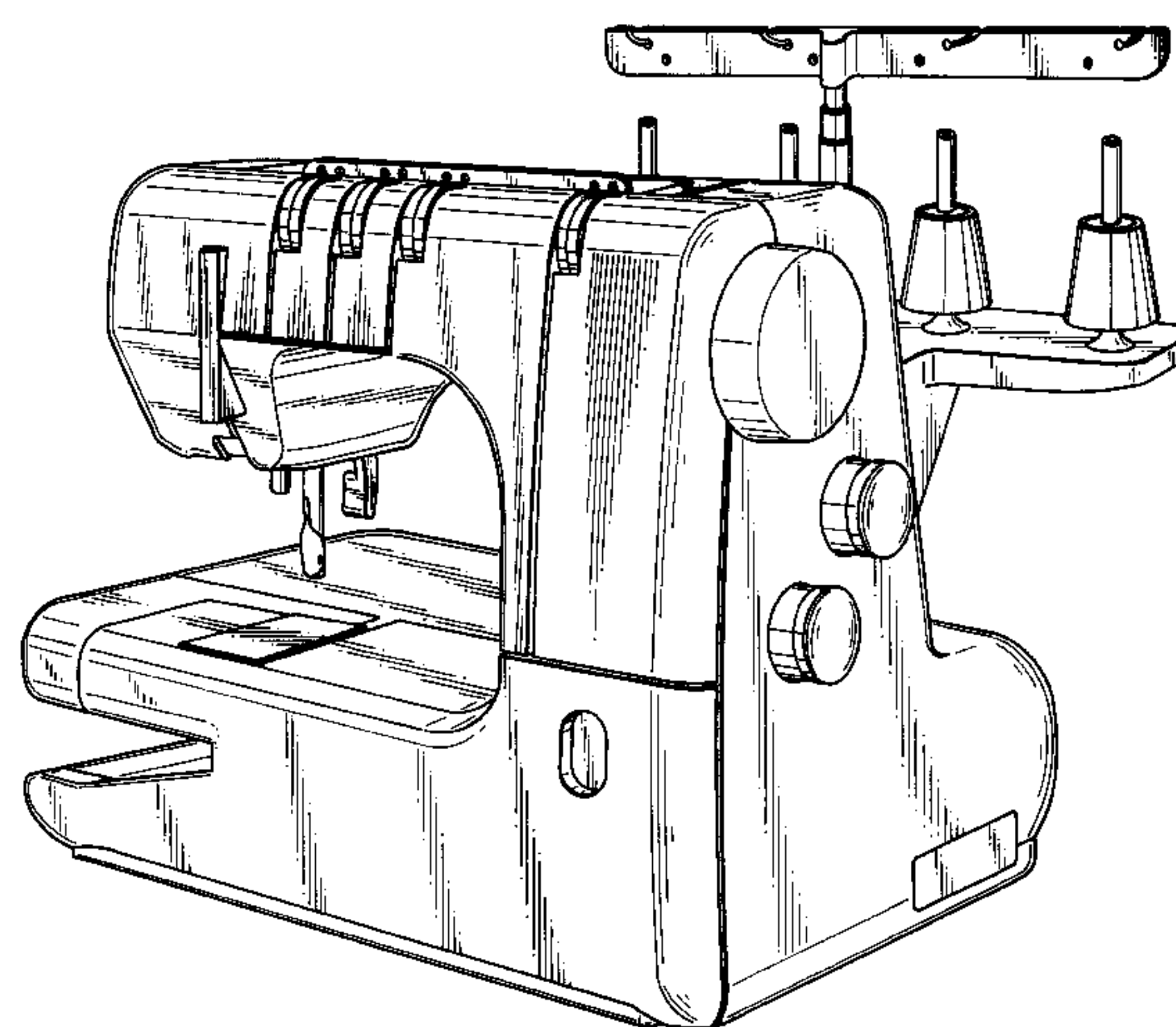
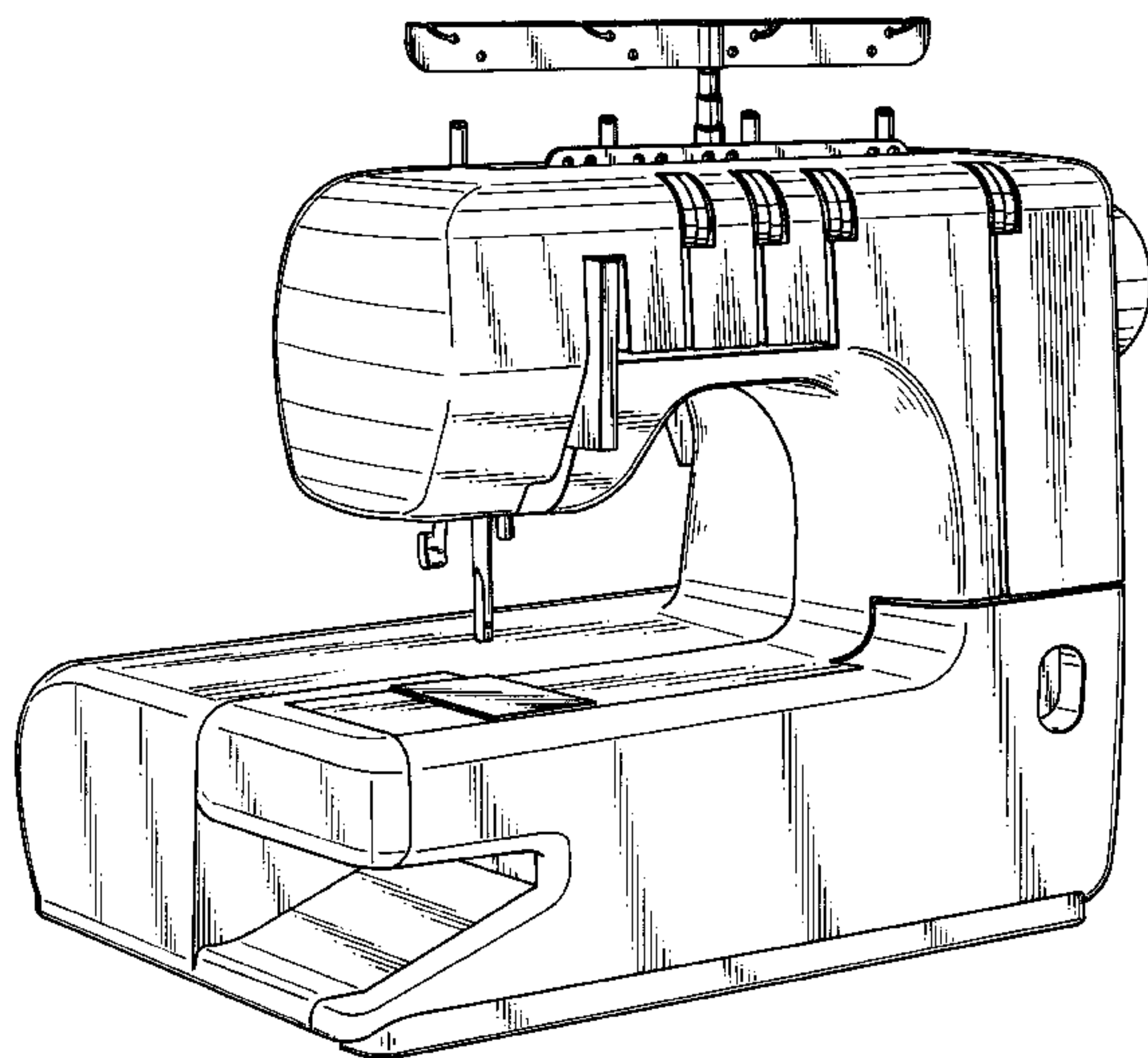


FIG. 1

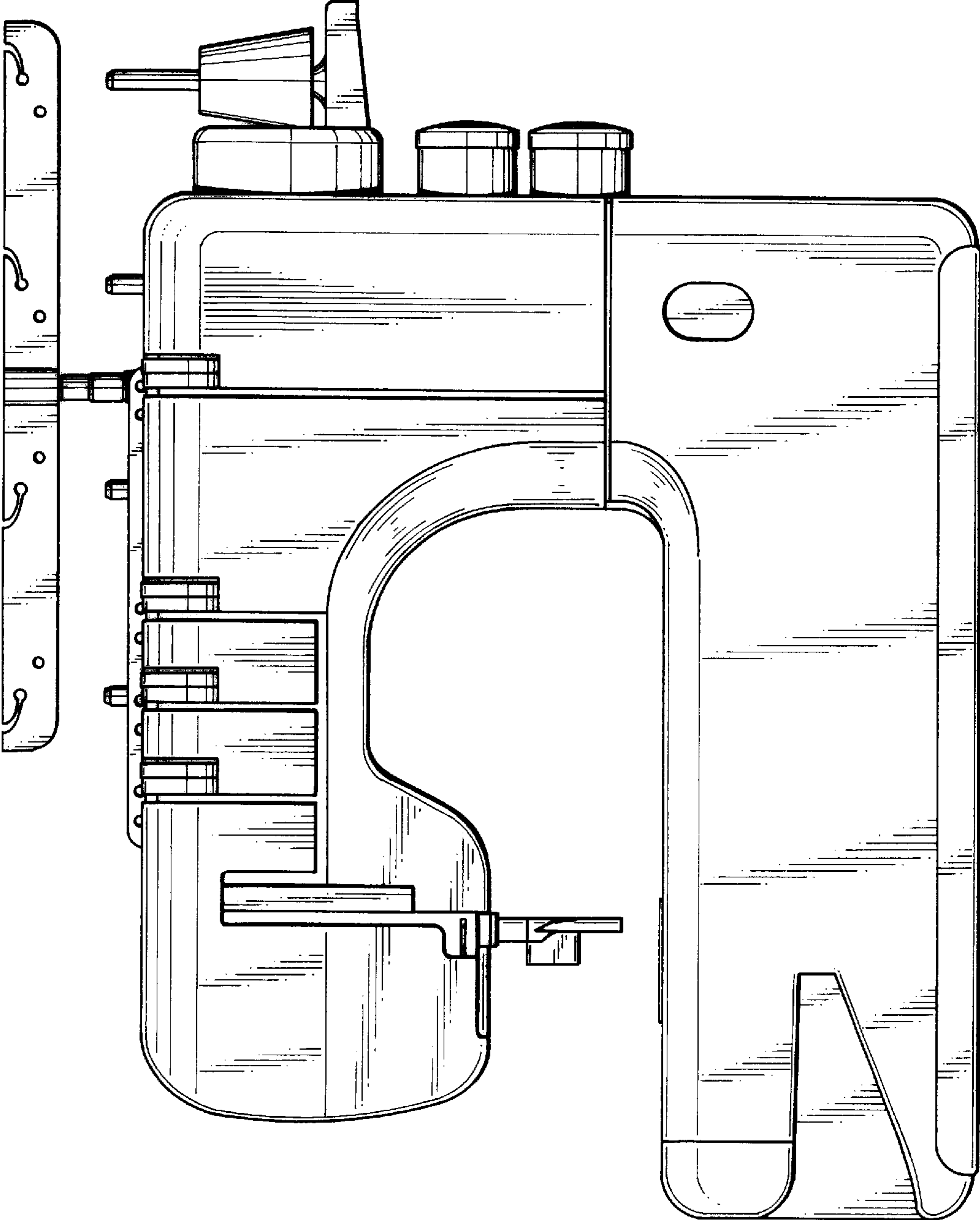


FIG. 2

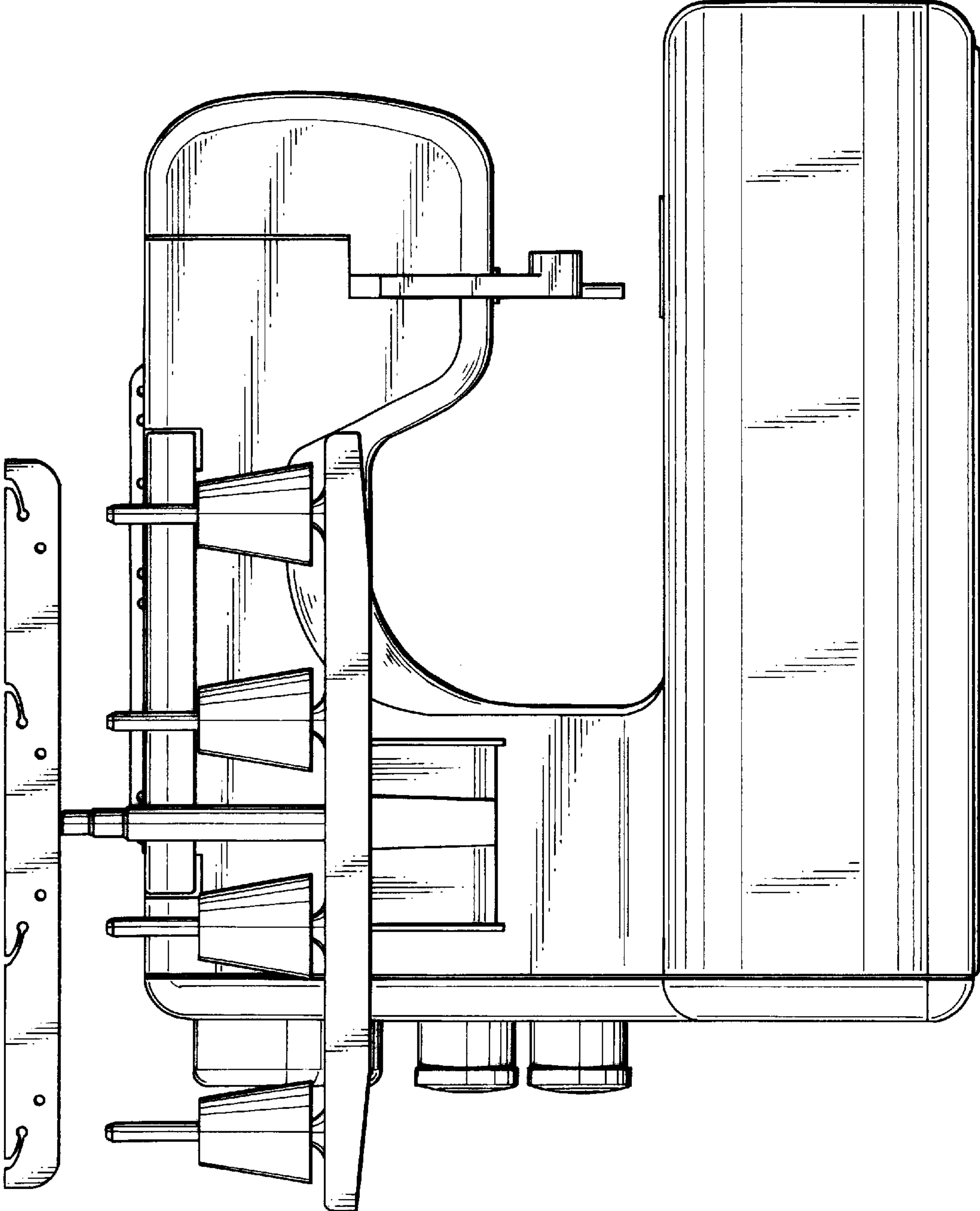


FIG. 3

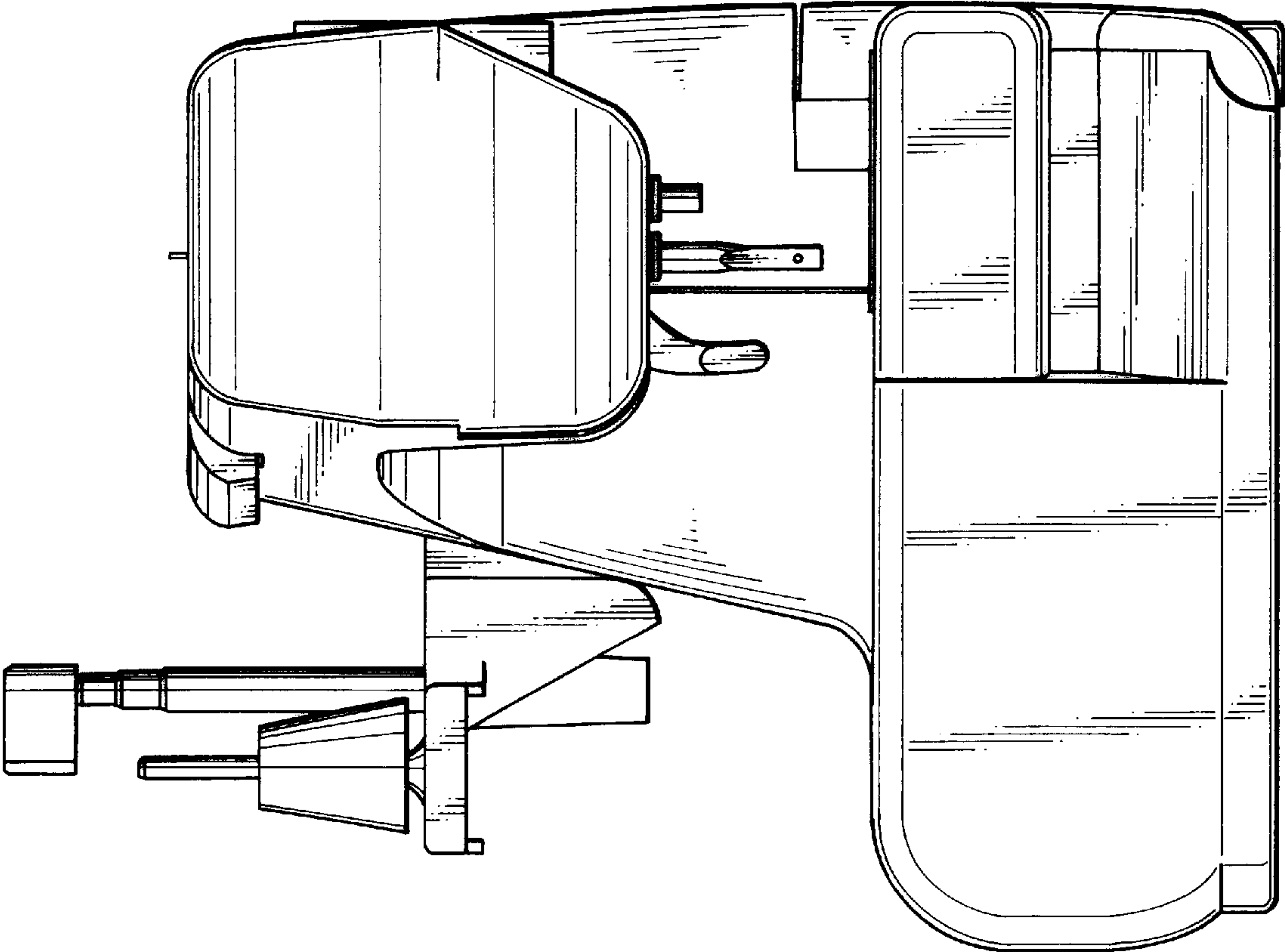


FIG. 4

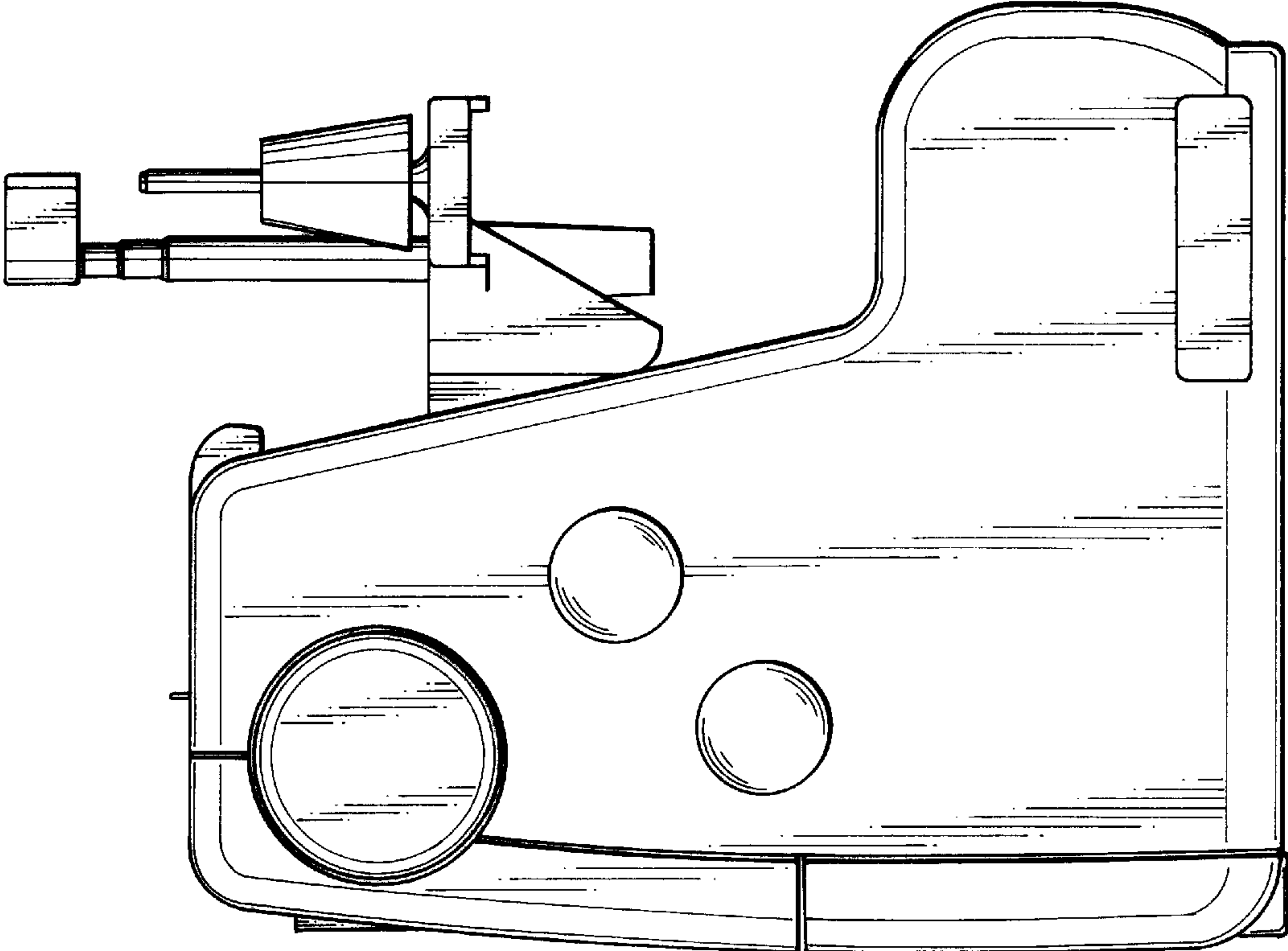


FIG. 5

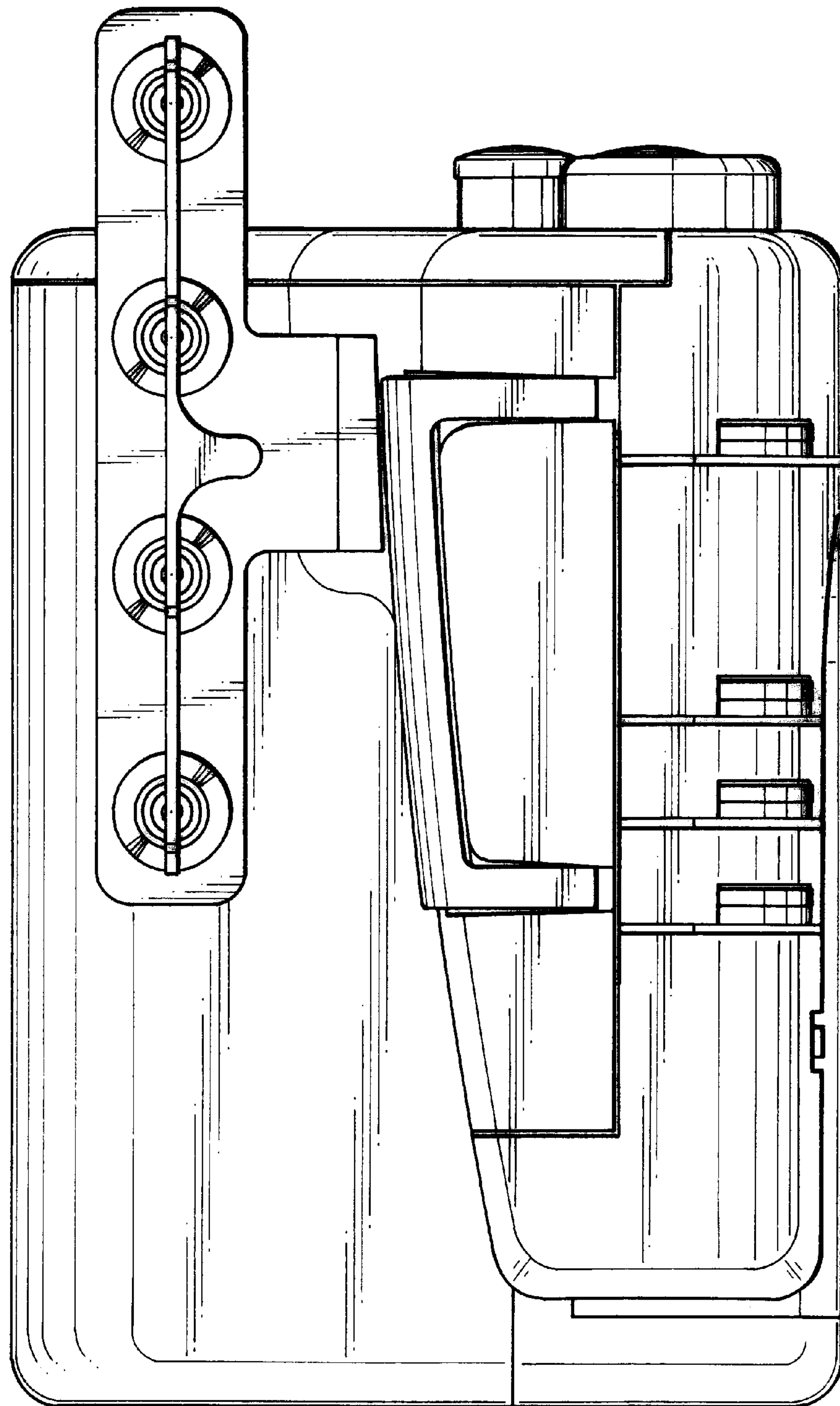


FIG. 6

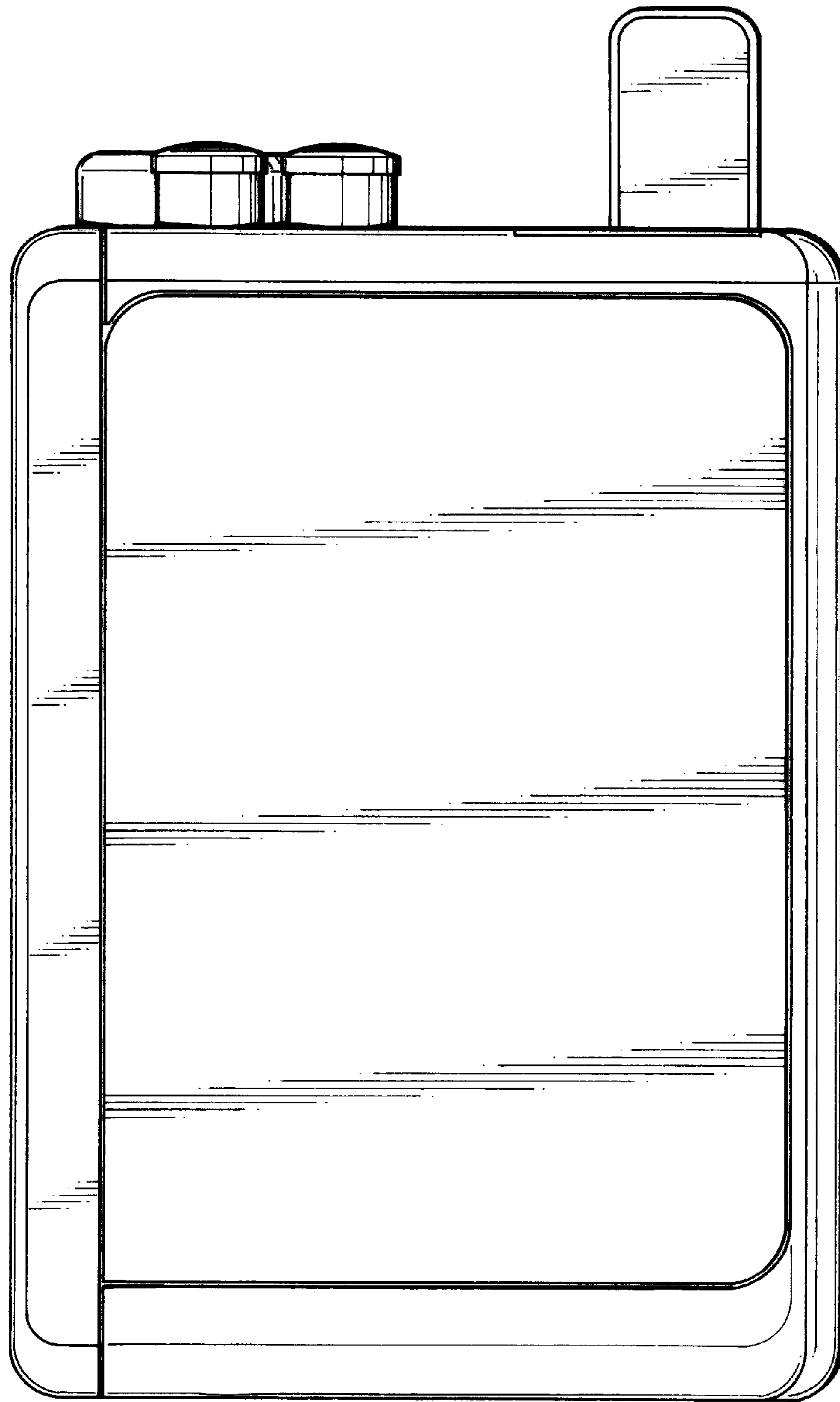


FIG. 7

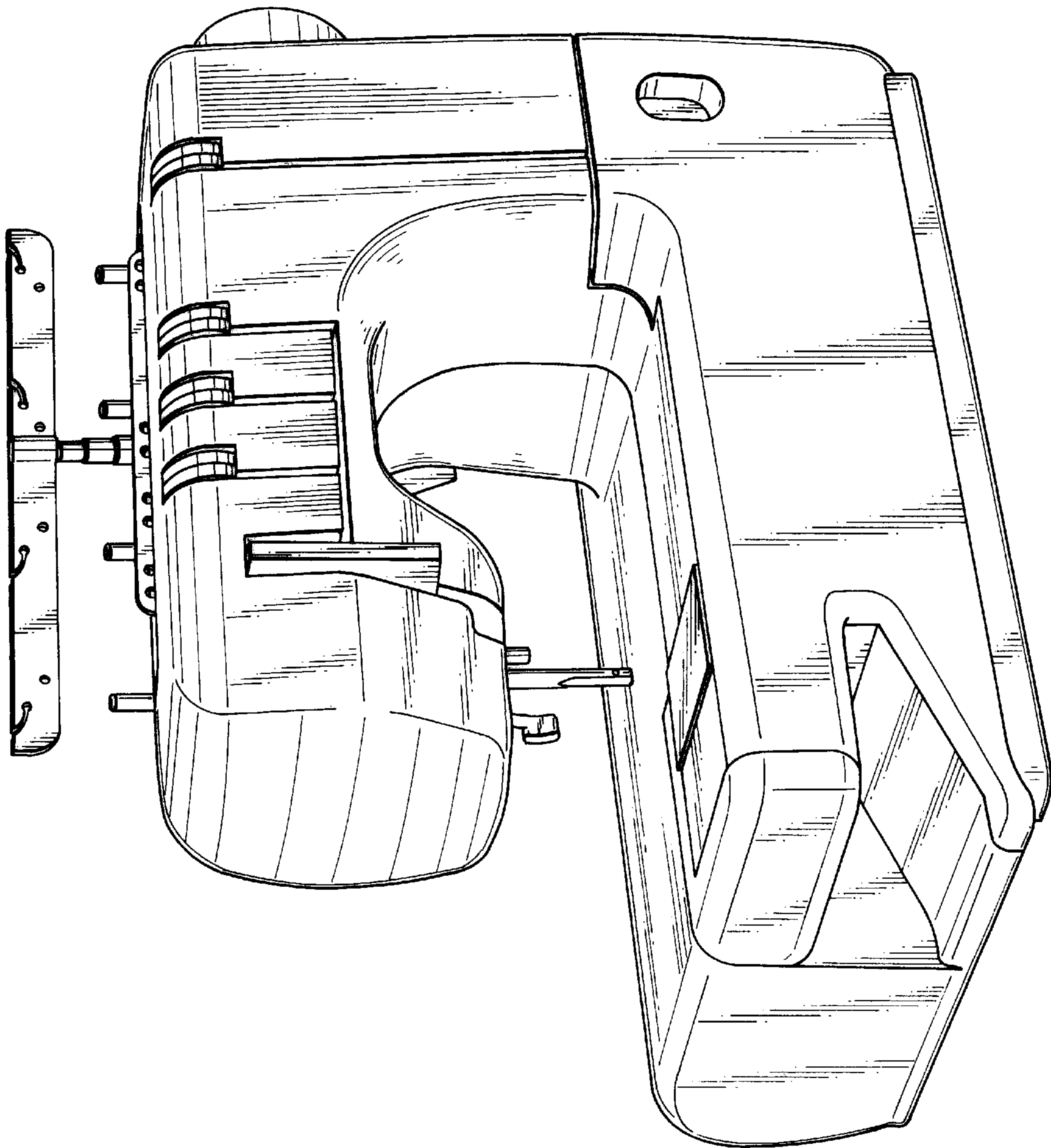


FIG. 8

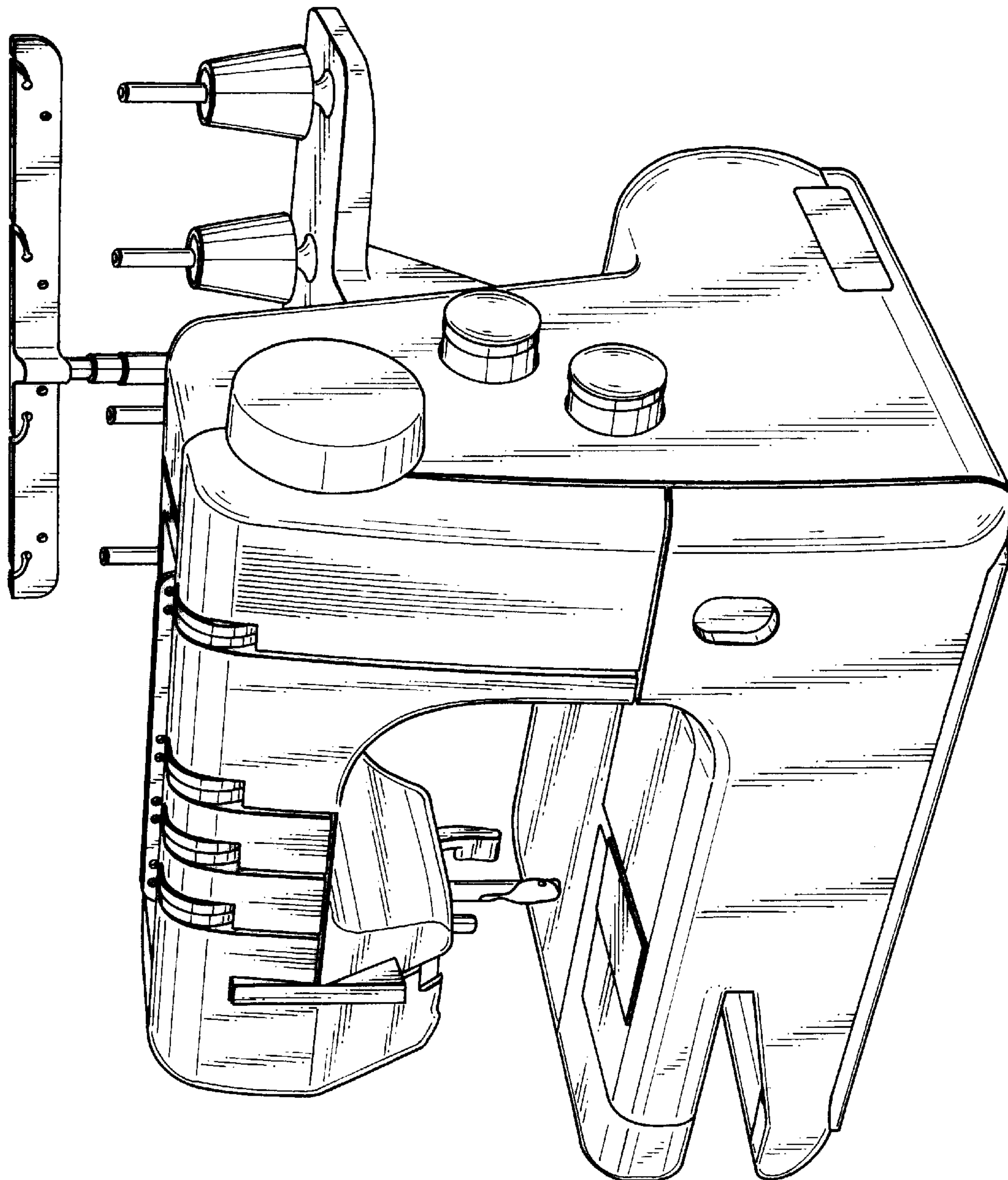


FIG. 9

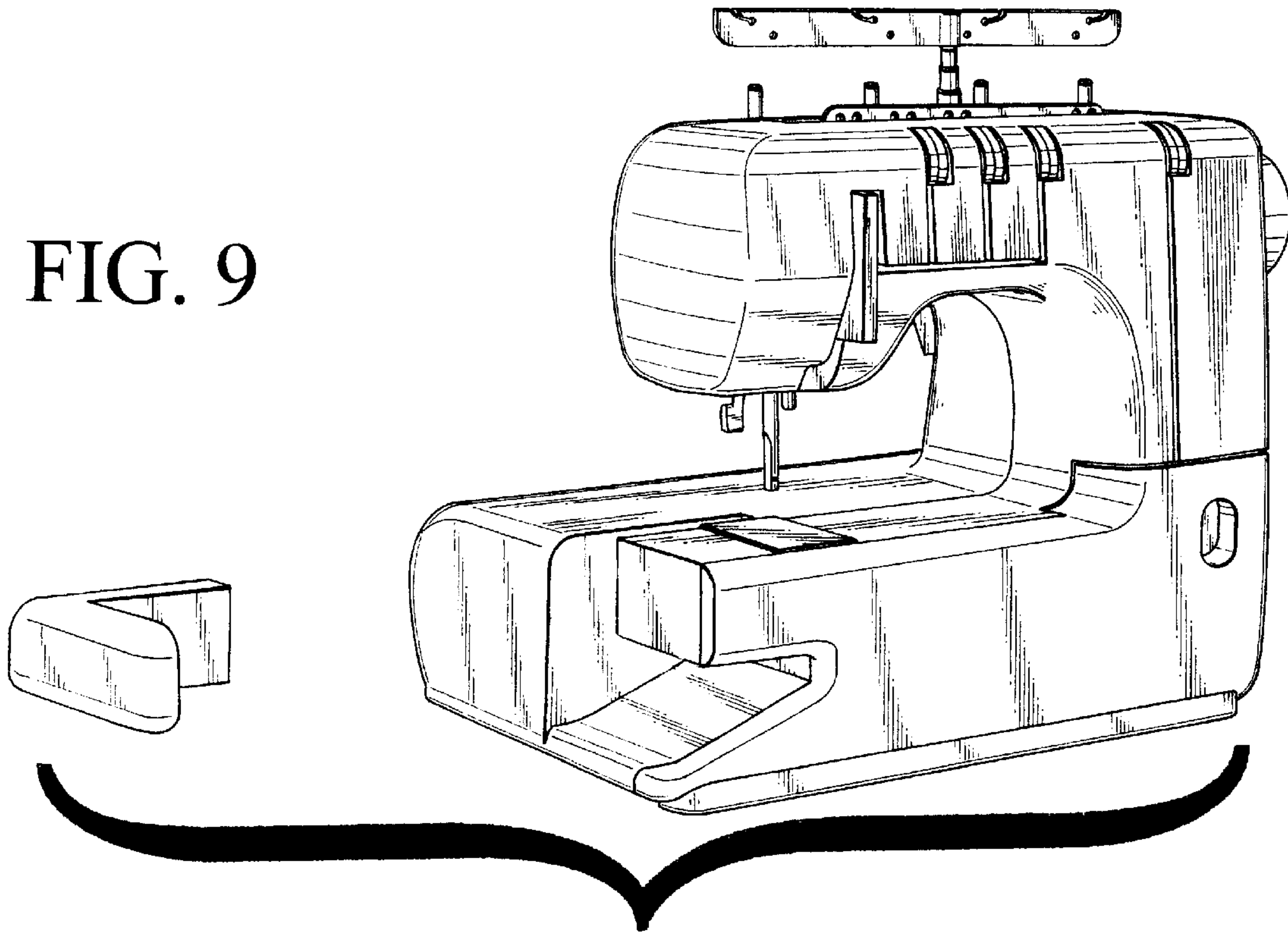


FIG. 10

