



US00D521533S

(12) **United States Design Patent**  
**Sanchez**

(10) **Patent No.:** **US D521,533 S**

(45) **Date of Patent:** **\*\* May 23, 2006**

(54) **SEWING MACHINE**

(75) **Inventor:** **Wilson Cesar Fiorotto Sanchez, São Paulo (BR)**

(73) **Assignee:** **The Singer Company Limited, Douglas (GB)**

(\*\*) **Term:** **14 Years**

(21) **Appl. No.:** **29/222,623**

(22) **Filed:** **Feb. 2, 2005**

(51) **LOC (8) Cl.** ..... **15-06**

(52) **U.S. Cl.** ..... **D15/69**

(58) **Field of Classification Search** ..... D15/66-78;  
D21/527; 112/2, 63, 154, 217.1, 217.2, 217.3,  
112/217.4, 256-261, 475.01

See application file for complete search history.

(56) **References Cited**

**U.S. PATENT DOCUMENTS**

- D247,901 S \* 5/1978 Fresard ..... D15/70
- D253,346 S \* 11/1979 Genaro et al. .... D15/69
- 4,441,443 A \* 4/1984 Hrovatin et al. .... 112/258
- D277,863 S \* 3/1985 Laude et al. .... D15/69
- D278,437 S \* 4/1985 Rosenblad ..... D15/68

- D281,783 S \* 12/1985 Allen ..... D15/69
- D283,029 S \* 3/1986 David ..... D15/69
- D462,703 S 9/2002 Farne
- D490,090 S 5/2004 Sanchez

\* cited by examiner

*Primary Examiner*—Nanda Bondade

*Assistant Examiner*—Shanda C. Hill

(74) *Attorney, Agent, or Firm*—Kirkpatrick & Lockhart  
Nicholson Graham LLP

(57) **CLAIM**

The ornamental design for a sewing machine, as shown and described.

**DESCRIPTION**

FIG. 1 is a front perspective view of a sewing machine showing my new design;  
FIG. 2 is a top plan view thereof;  
FIG. 3 is a front elevational view thereof;  
FIG. 4 is a left side elevational view thereof;  
FIG. 5 is a right side elevational view thereof; and,  
FIG. 6 is a rear elevational view thereof.

The broken lines shown in the drawing disclosure are for illustrative purposes only and form no part of the claimed design.

**1 Claim, 6 Drawing Sheets**

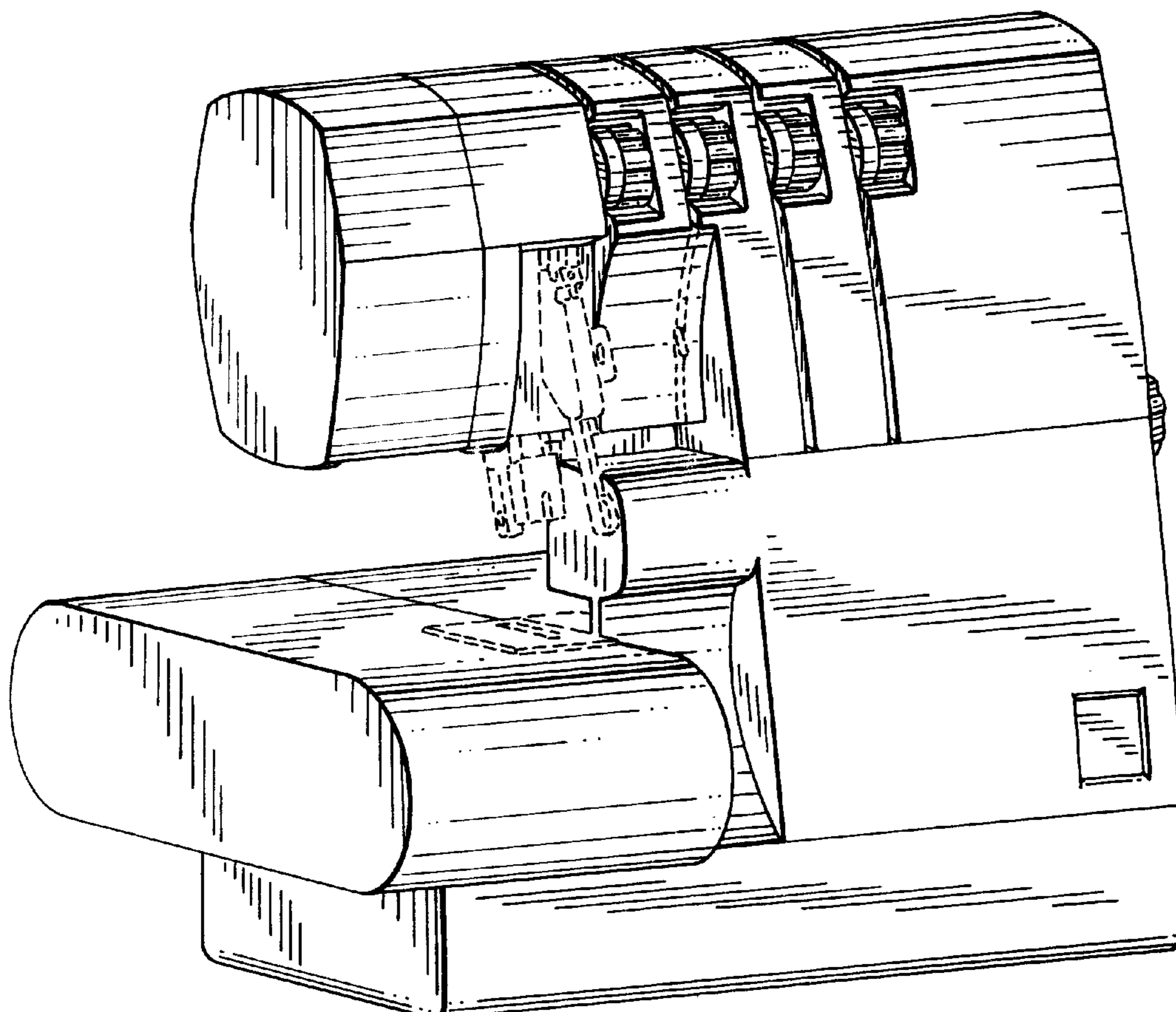




FIG. 1

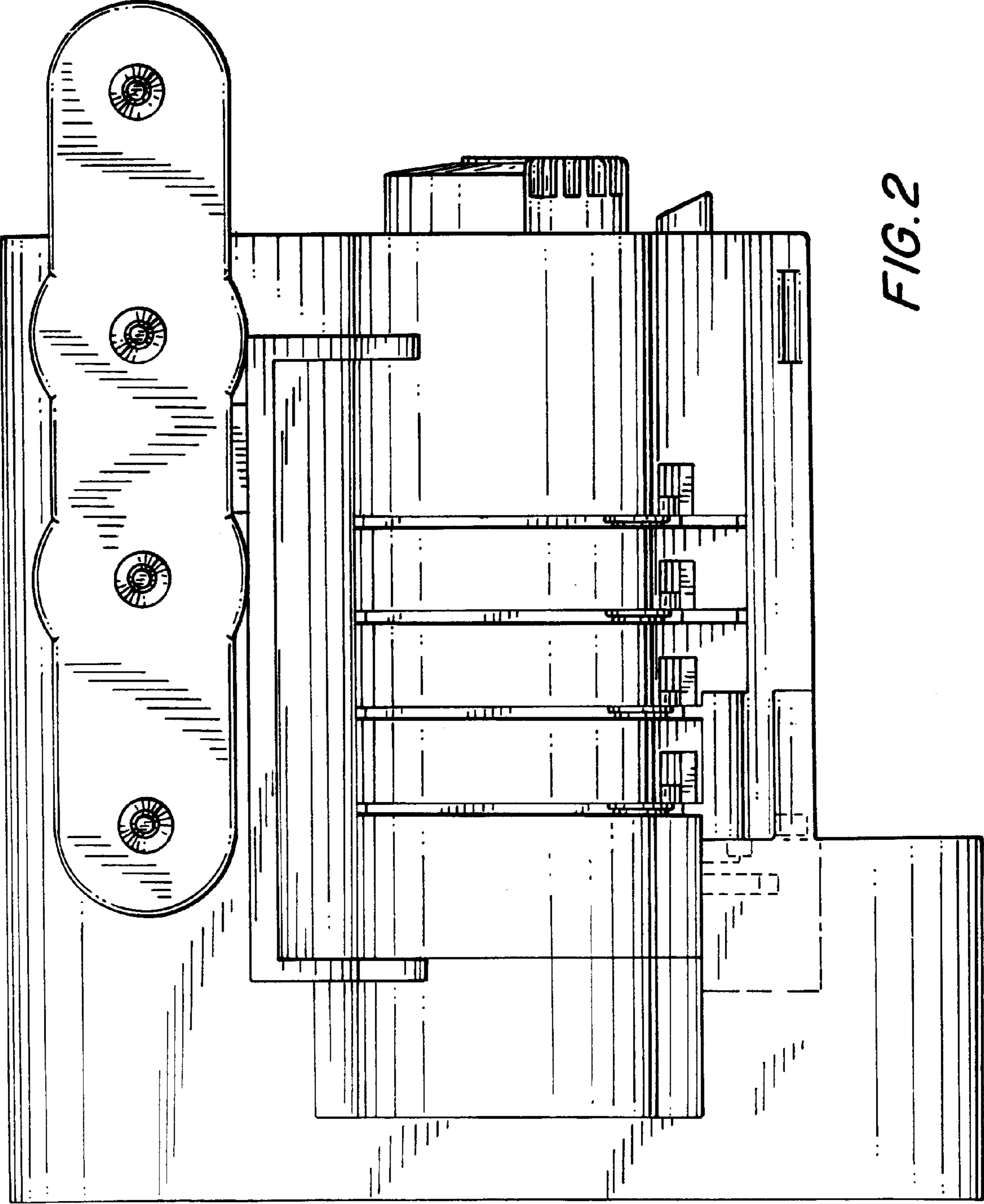


FIG. 2

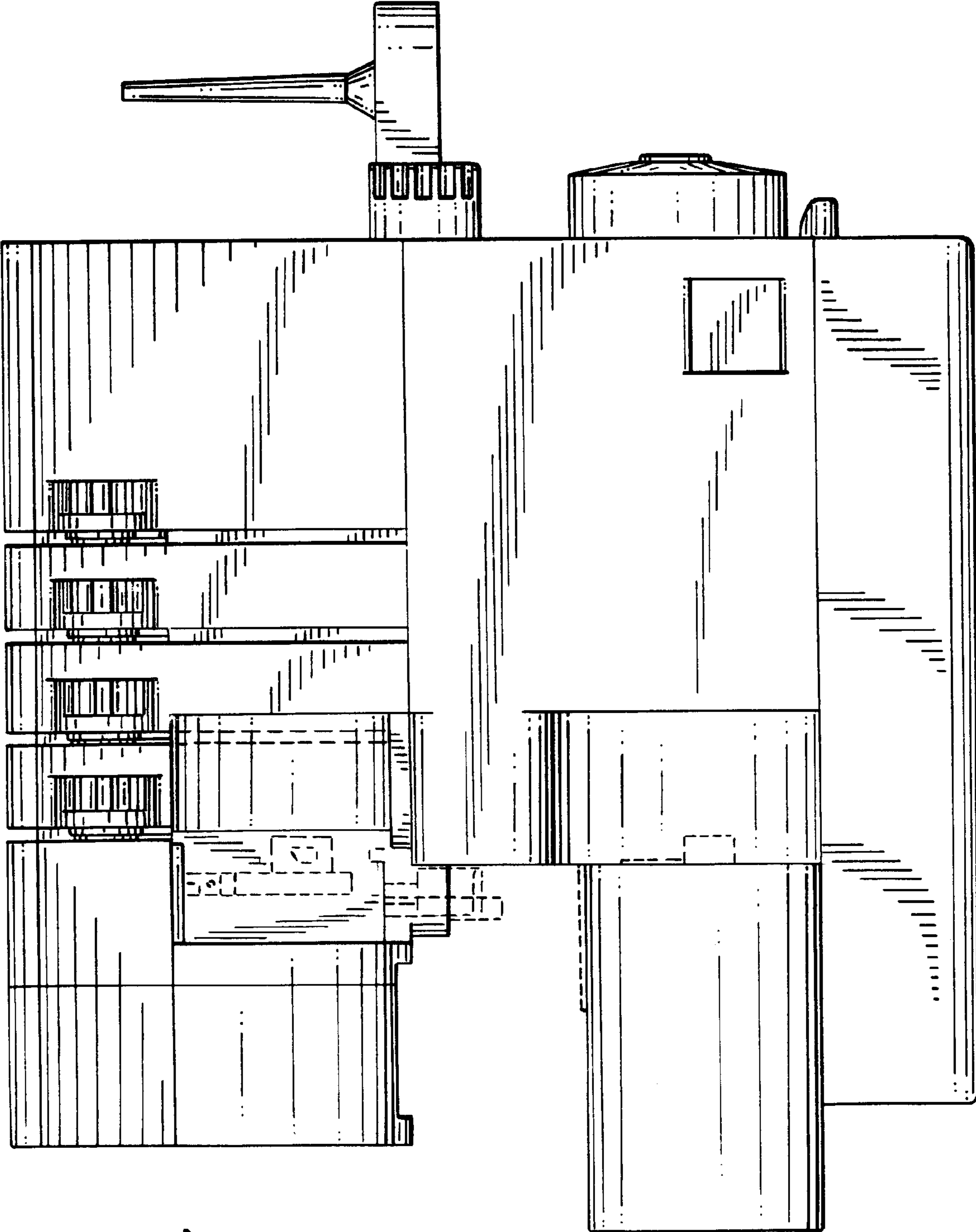
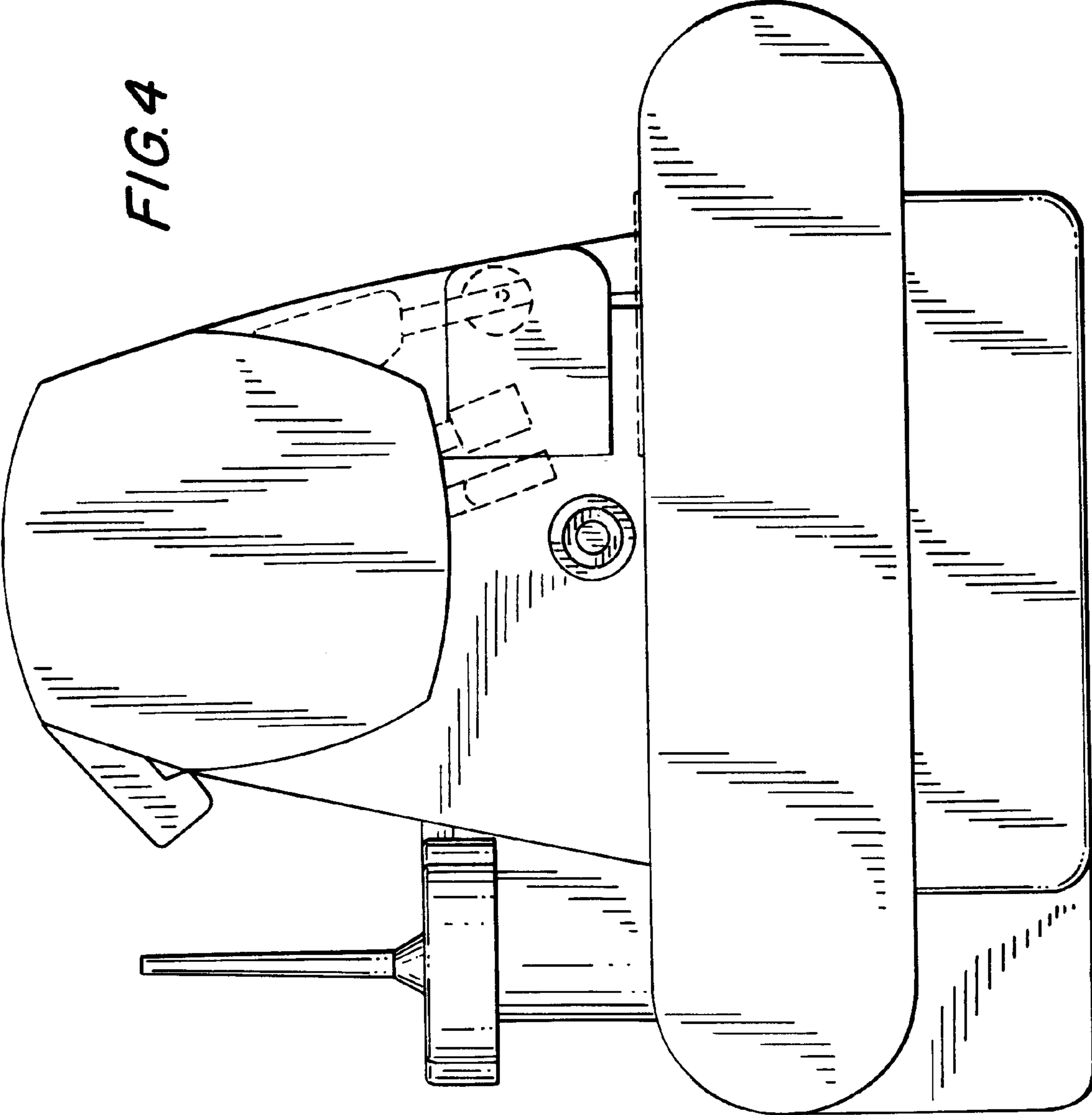


FIG. 3

FIG. 4





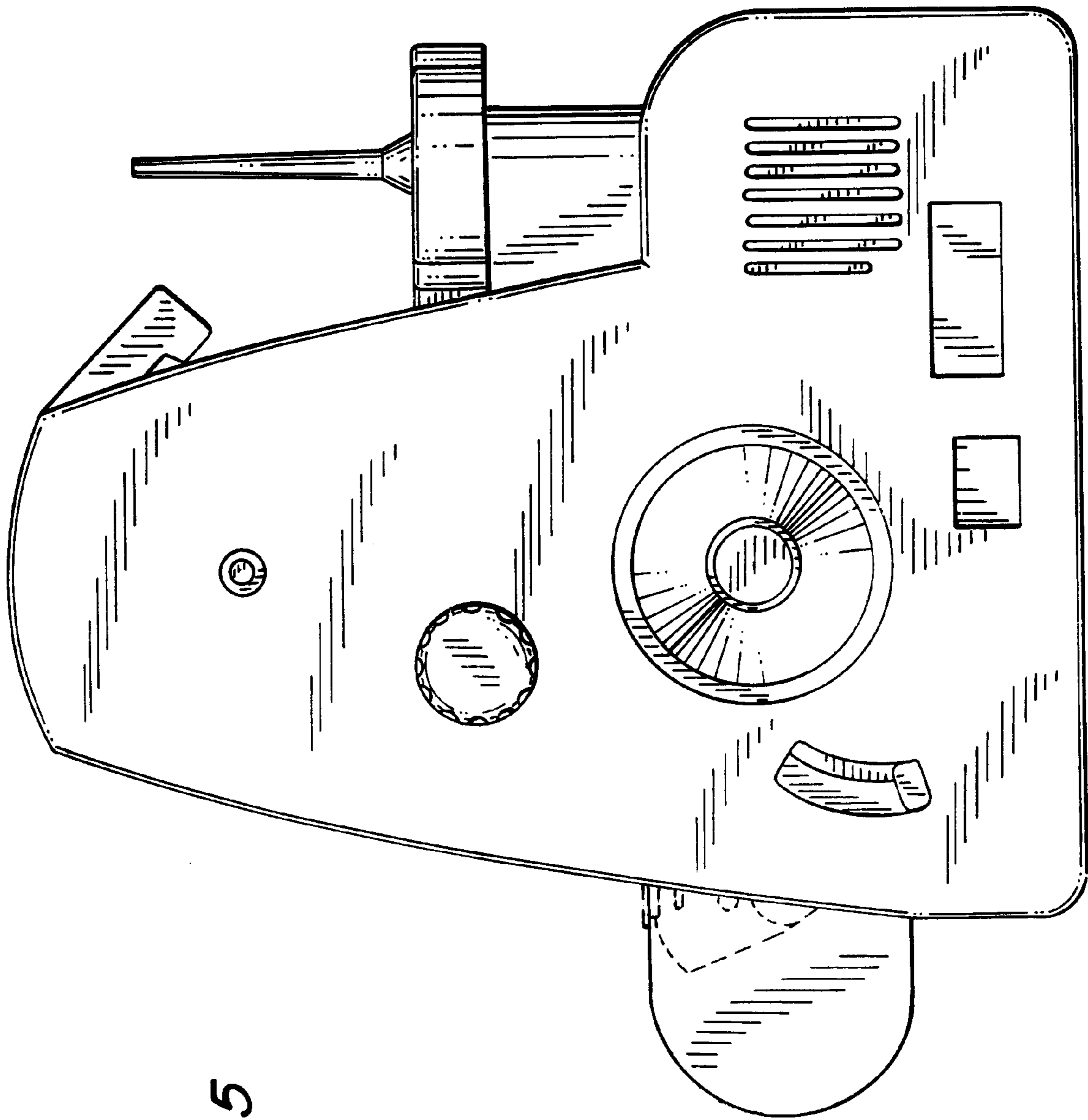


FIG. 5

