

US00D521530S

(12) **United States Design Patent**
Cohen

(10) **Patent No.:** **US D521,530 S**

(45) **Date of Patent:** **** May 23, 2006**

(54) **SNOW THROWER WITH AN ERGONOMIC HANDLE**

(76) Inventor: **Joseph Cohen**, 7523 13th Ave.,
Brooklyn, NY (US) 11228

(**) Term: **14 Years**

(21) Appl. No.: **29/214,443**

(22) Filed: **Oct. 1, 2004**

(51) **LOC (8) Cl.** **15-03**

(52) **U.S. Cl.** **D15/12**

(58) **Field of Classification Search** D15/10-12,
D15/14, 18; D8/8, 10; 37/244, 246, 252,
37/256, 196, 209, 241, 242, 227; 294/53.5;
16/426

See application file for complete search history.

(56) **References Cited**

U.S. PATENT DOCUMENTS

| | | | | | |
|-------------|---|---------|------------------|-------|--------|
| D241,762 S | * | 10/1976 | Hinklin | | D15/12 |
| D248,654 S | * | 7/1978 | Ruhl et al. | | D15/12 |
| D260,898 S | * | 9/1981 | Chieda et al. | | D15/12 |
| 4,295,285 A | * | 10/1981 | Stevens | | 37/246 |
| D262,797 S | * | 1/1982 | Arthur et al. | | D15/12 |
| 4,325,195 A | * | 4/1982 | Comer | | 37/227 |
| D266,427 S | * | 10/1982 | McMickle et al. | | D15/12 |
| D268,184 S | * | 3/1983 | Berner | | D15/12 |
| D278,537 S | * | 4/1985 | Krapowicz et al. | | D15/12 |

| | | | | | |
|--------------|---|---------|-------------|-------|----------|
| D326,457 S | * | 5/1992 | Pink et al. | | D15/11 |
| D380,360 S | * | 7/1997 | Scruggs | | D8/10 |
| 5,984,393 A | * | 11/1999 | Washington | | 294/53.5 |
| 6,704,968 B1 | * | 3/2004 | Lau | | 16/426 |

* cited by examiner

Primary Examiner—Stella Reid

Assistant Examiner—Mark A. Goodwin

(74) *Attorney, Agent, or Firm*—Ezra Sutton, Esq.

(57) **CLAIM**

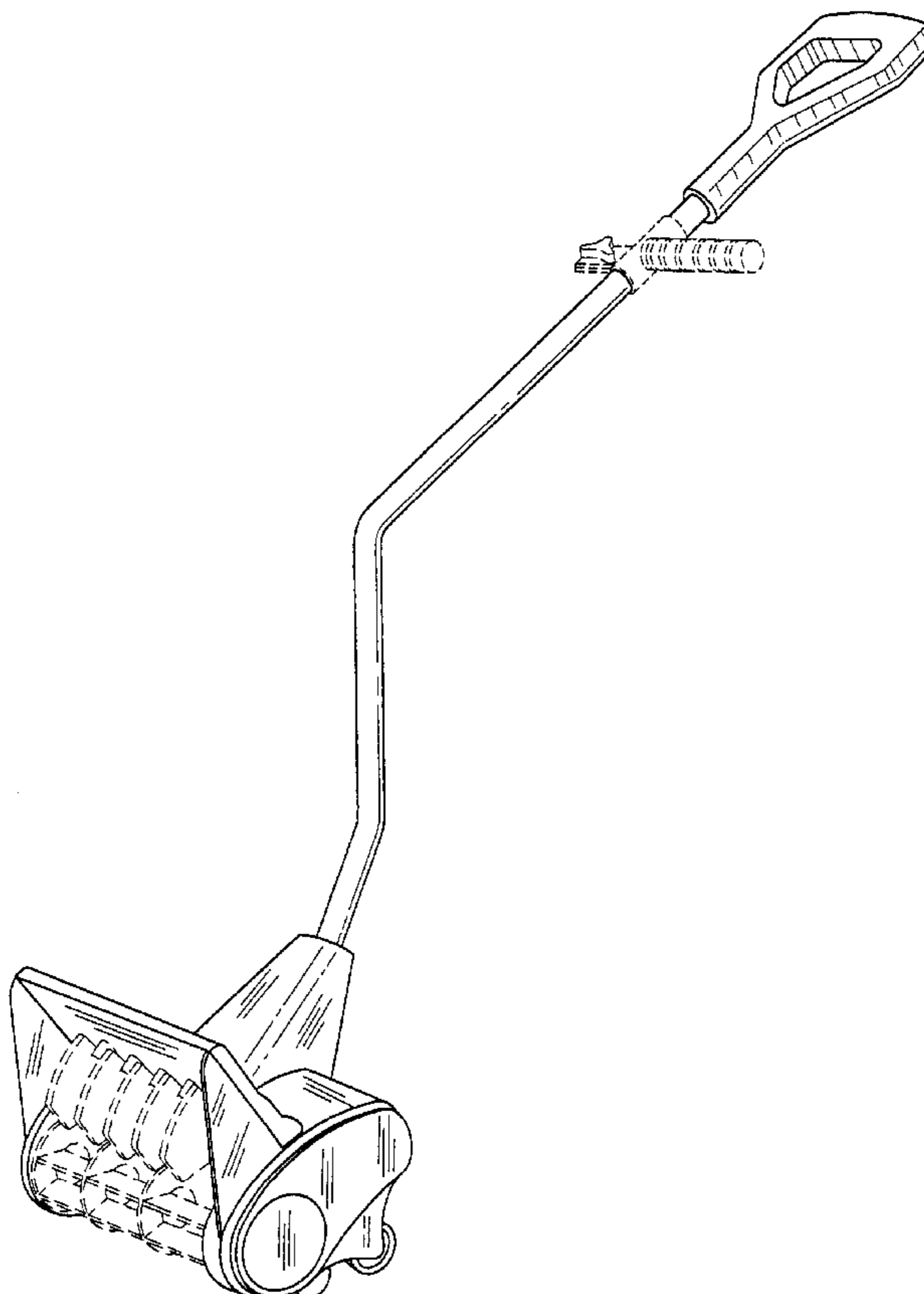
The ornamental design for a snow thrower with an ergonomic handle, as shown and described.

DESCRIPTION

FIG. 1 is a front perspective view of a snow thrower with an ergonomic handle showing my new design; FIG. 2 is a bottom perspective view thereof; FIG. 3 is a front elevational view thereof; FIG. 4 is a rear elevational view thereof; FIG. 5 is a right side elevational view thereof; FIG. 6 is a left side elevational view thereof; FIG. 7 is a top plan view thereof; and, FIG. 8 is a bottom plan view thereof.

The broken line showing of the upper hand grip and the blade assembly is for illustrative purposes only and forms no part of the claimed design.

1 Claim, 8 Drawing Sheets



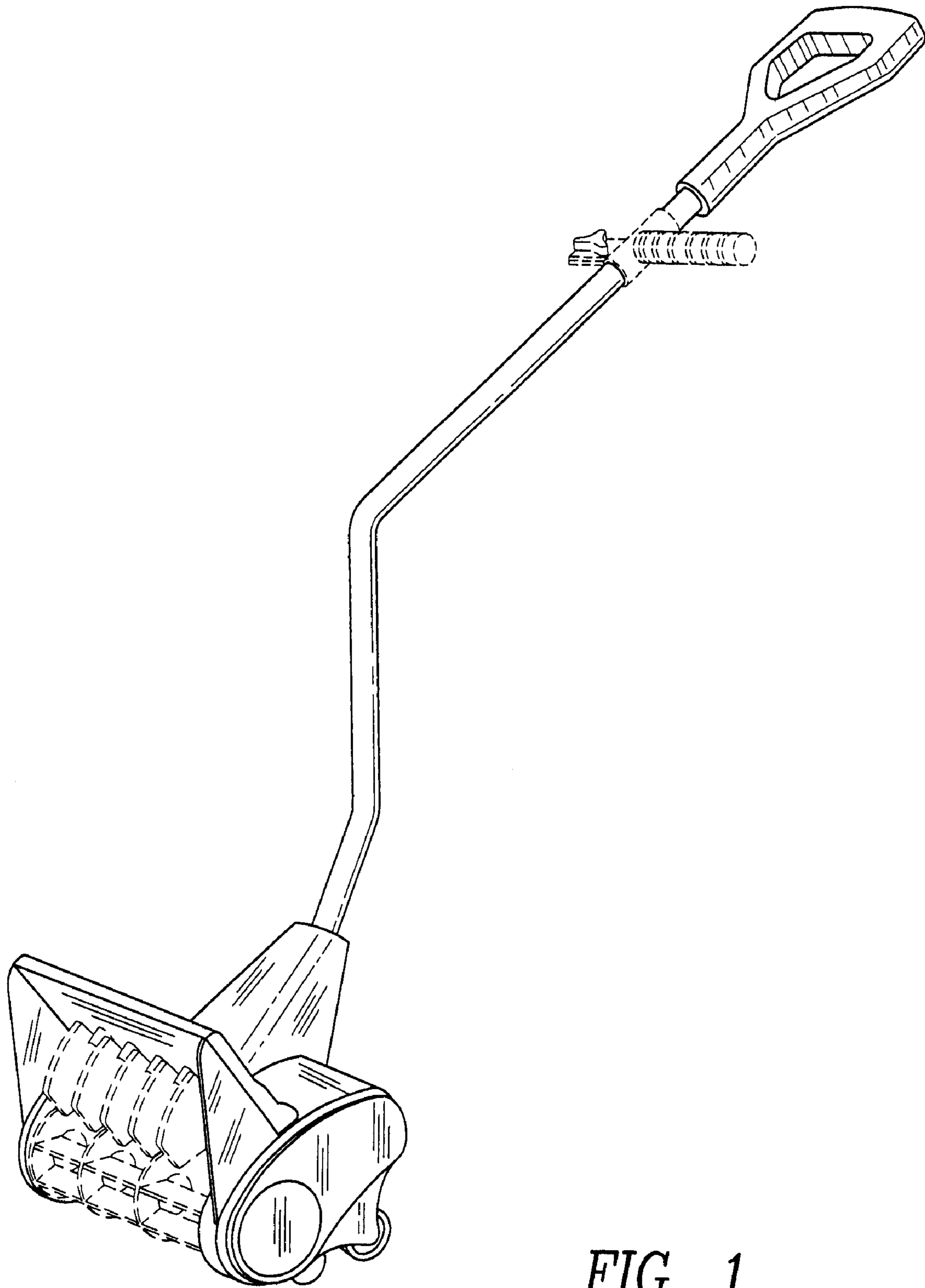


FIG. 1

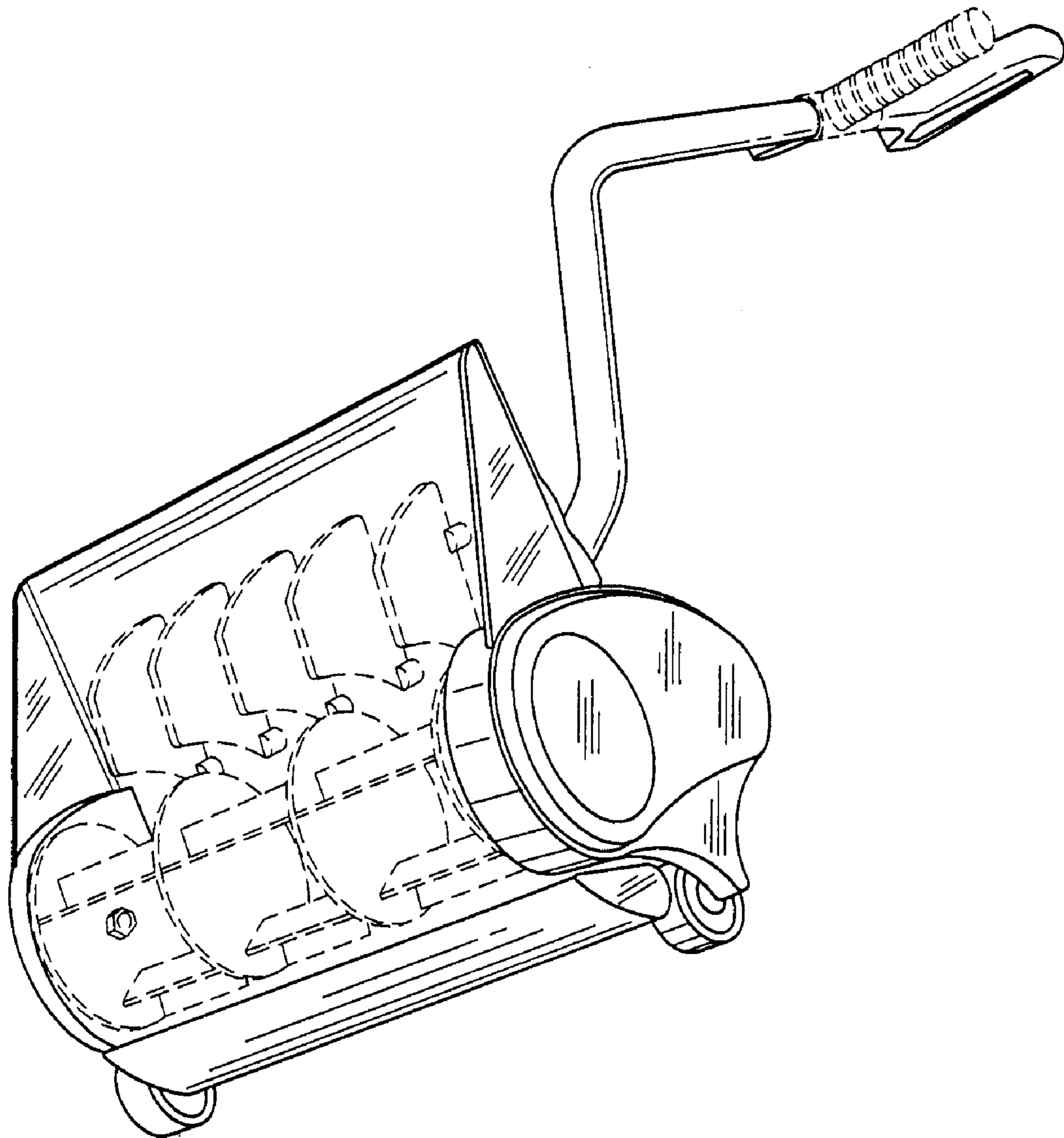


FIG. 2

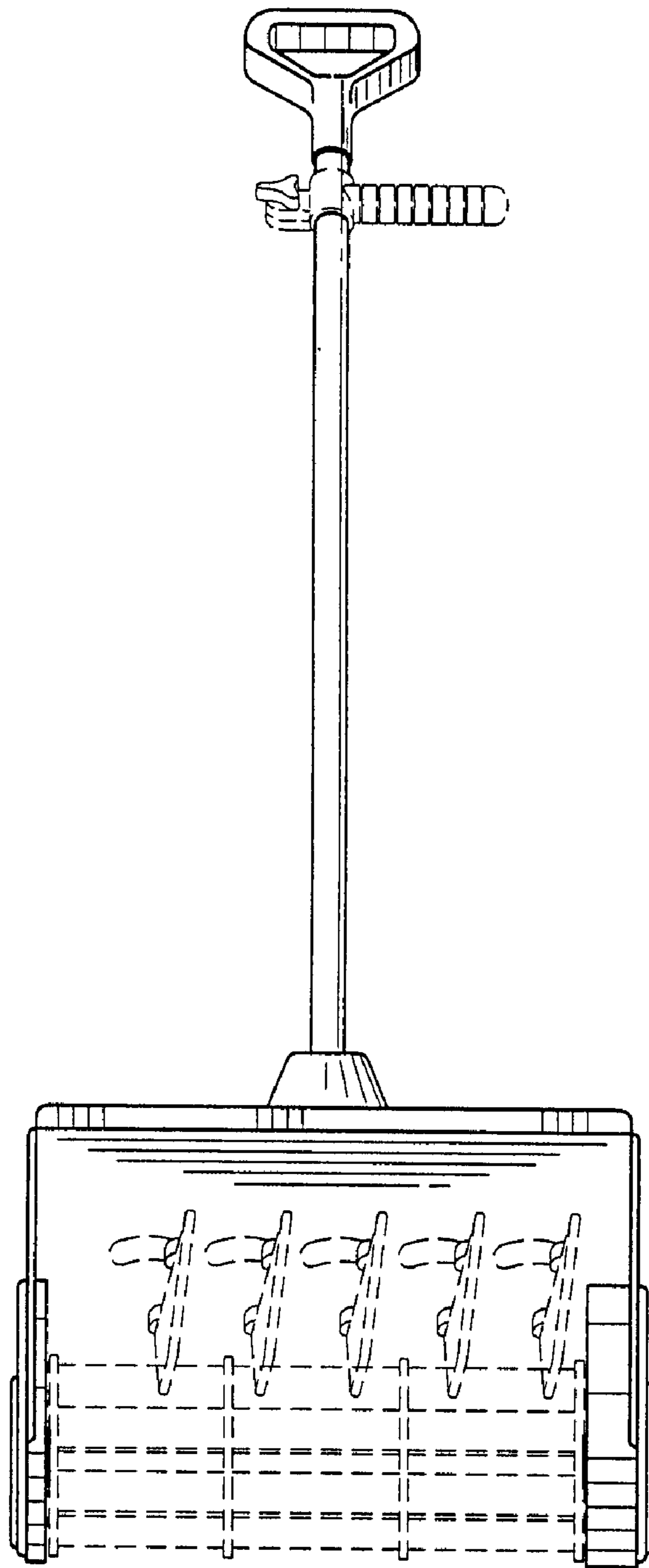


FIG. 3

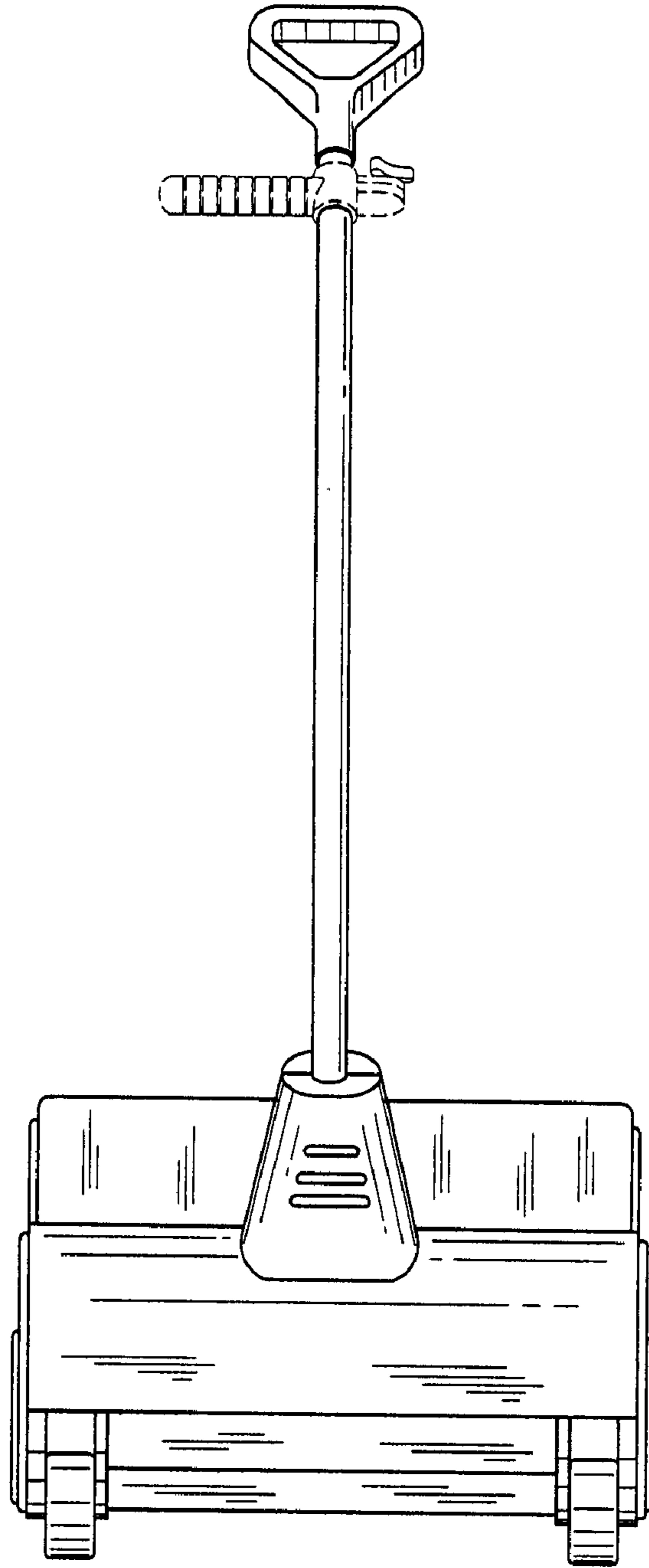


FIG. 4

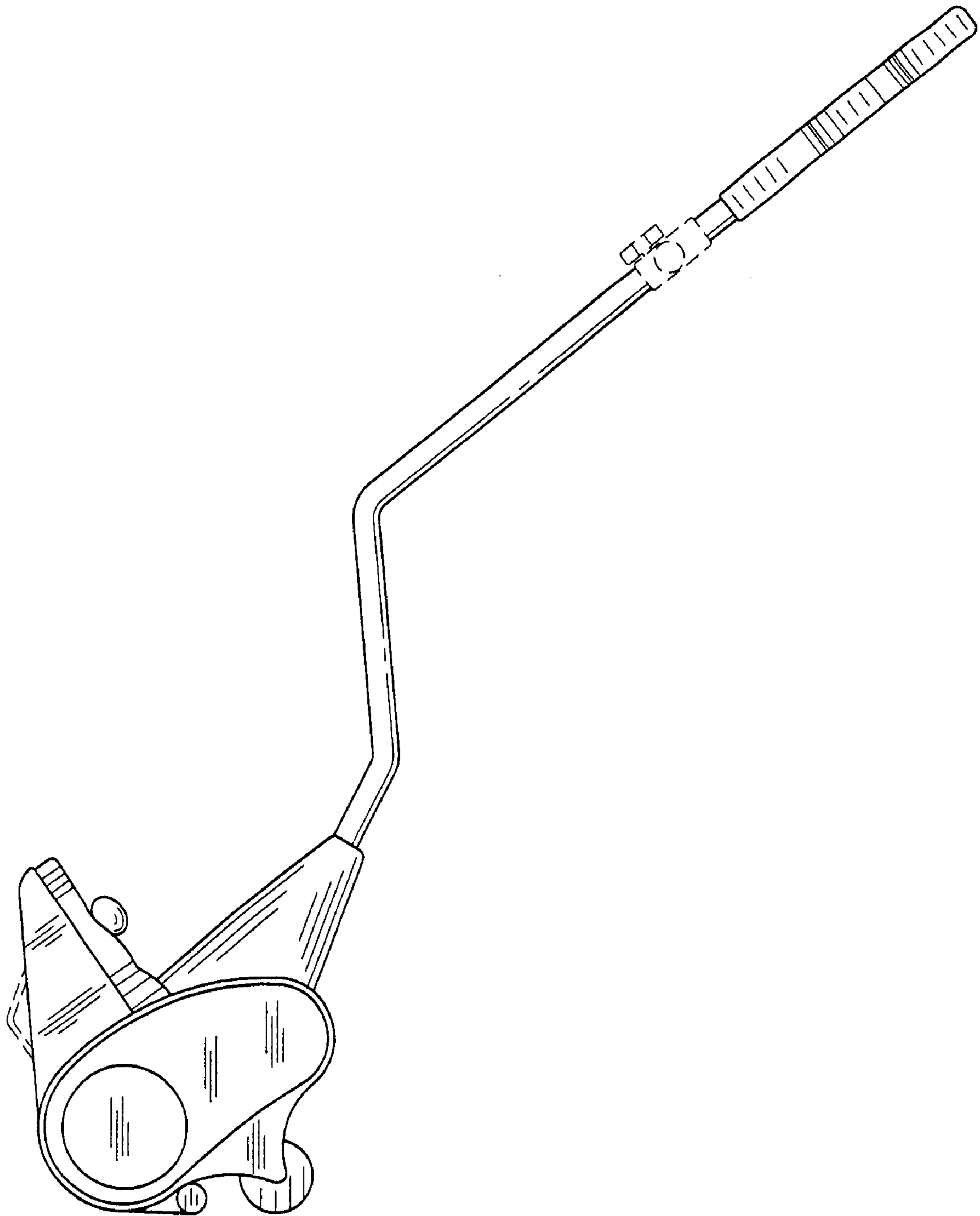


FIG. 5

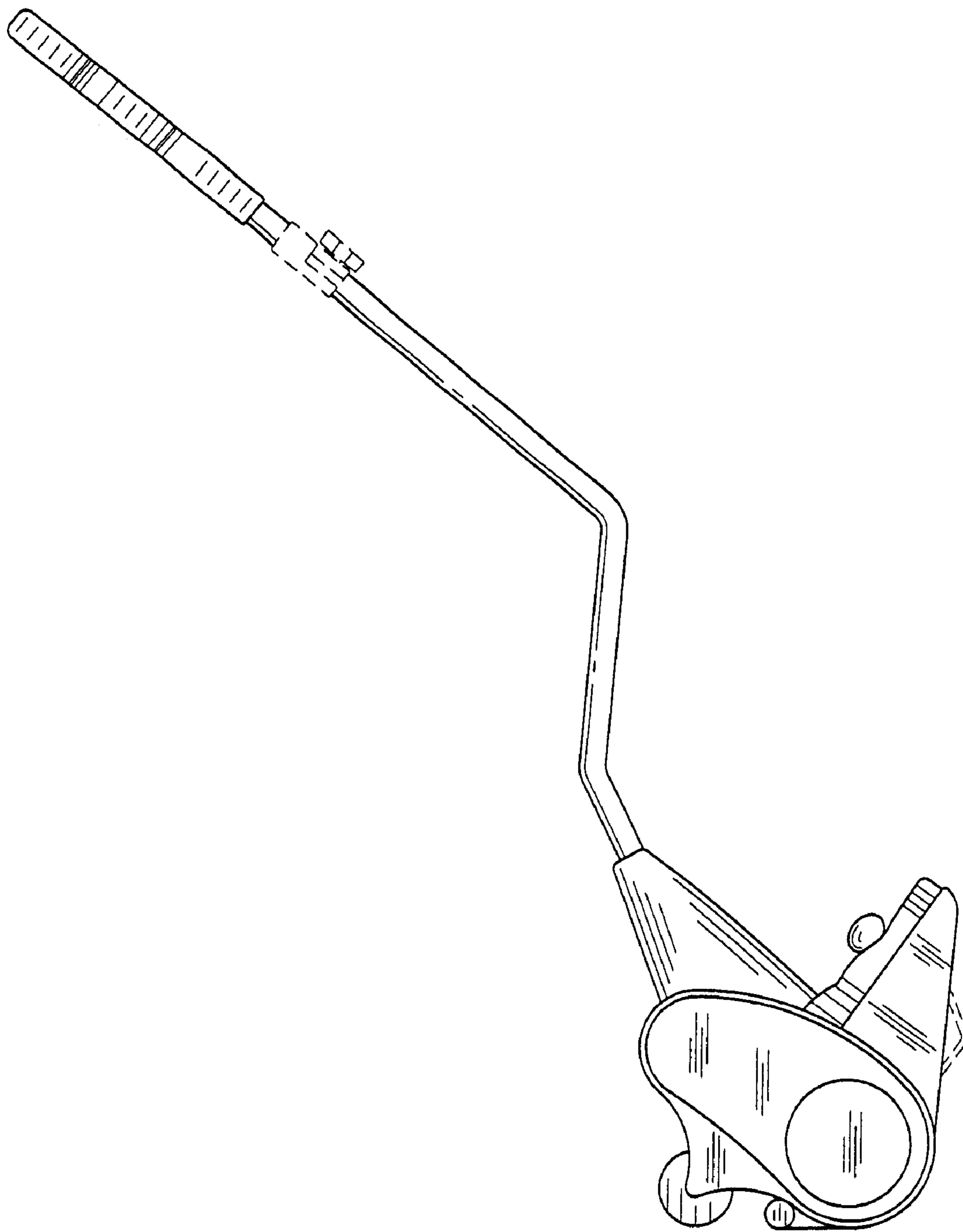


FIG. 6

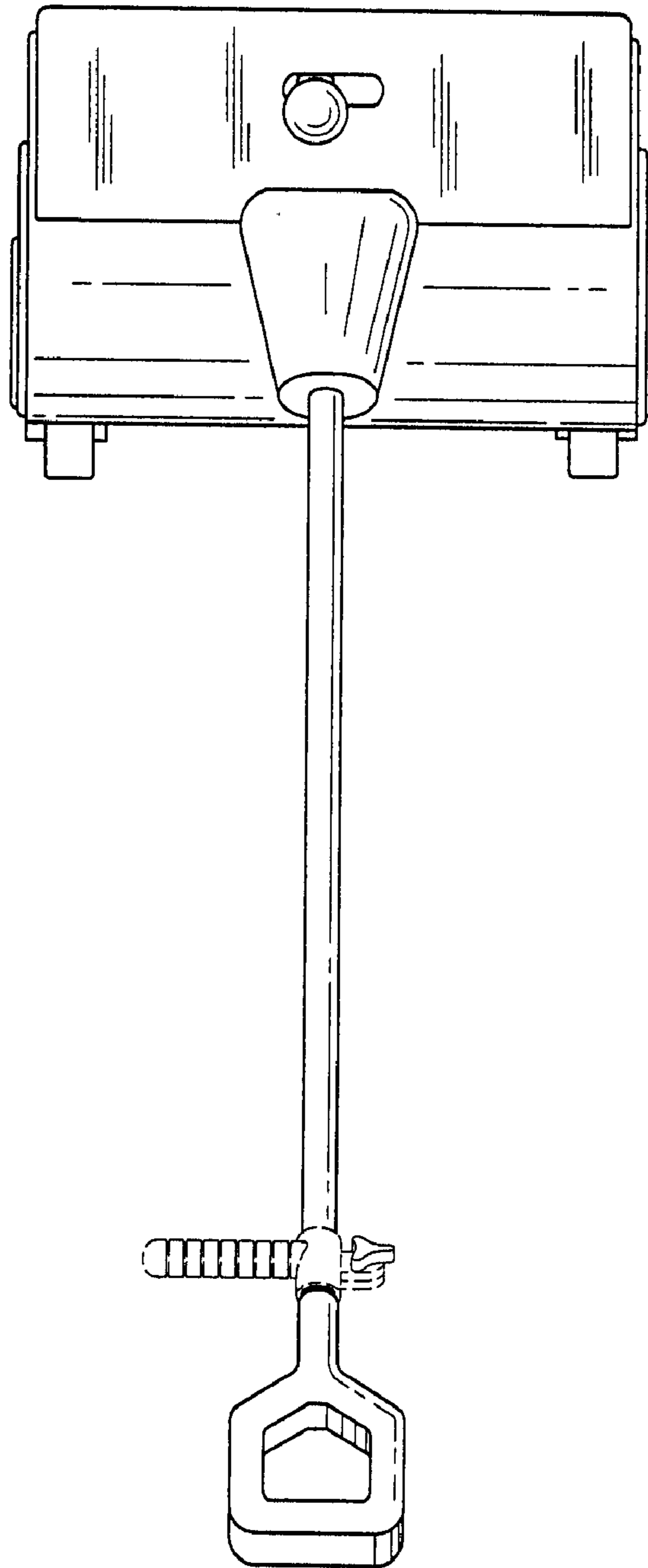


FIG. 7

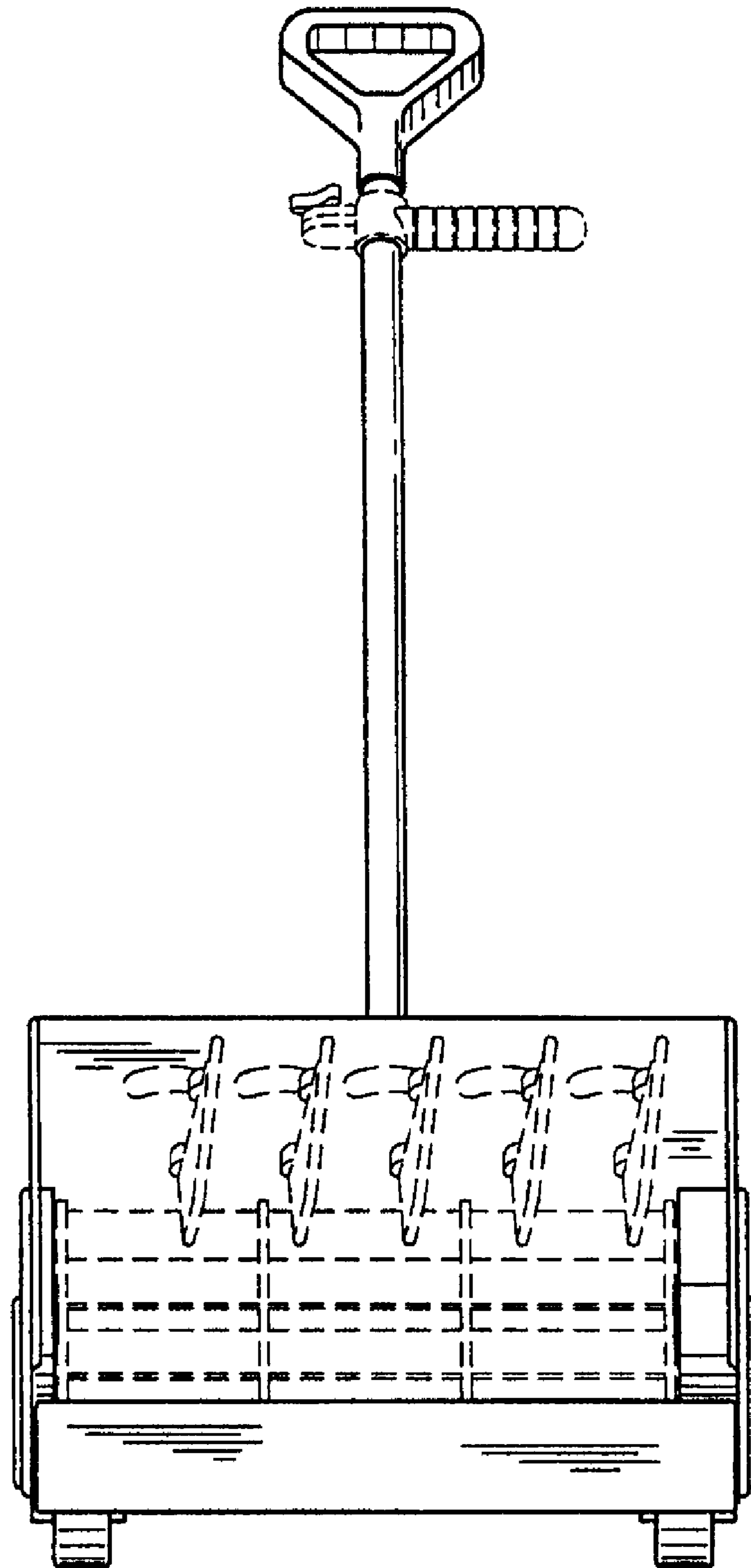


FIG. 8