



US00D521528S

(12) **United States Design Patent**  
**Kamijo et al.**

(10) **Patent No.:** **US D521,528 S**

(45) **Date of Patent:** **\*\* May 23, 2006**

(54) **INTERNAL COMBUSTION ENGINE**

D488,167 S \* 4/2004 Momoi ..... D15/1  
D497,368 S \* 10/2004 Csiki ..... D15/5

(75) Inventors: **Akinori Kamijo**, Chofu (JP); **Osamu Tada**, Hamura (JP)

FOREIGN PATENT DOCUMENTS

(73) Assignee: **Kioritz Corporation**, Tokyo (JP)

JP 1100788 12/2000

(\*\*) Term: **14 Years**

\* cited by examiner

(21) Appl. No.: **29/207,113**

*Primary Examiner*—Joel A. Sincavage

*Assistant Examiner*—Mairoce Stevens

(22) Filed: **Jun. 8, 2004**

(74) *Attorney, Agent, or Firm*—Seyfarth Shaw LLP

(30) **Foreign Application Priority Data**

(57) **CLAIM**

Feb. 10, 2004 (JP) ..... 2004-003262

The ornamental design for the internal combustion engine, as shown and described.

(51) **LOC (8) Cl.** ..... **15-01**

**DESCRIPTION**

(52) **U.S. Cl.** ..... **D15/1**

(58) **Field of Classification Search** ..... D15/1,  
D15/3, 5; 123/195.3, 198 E, 41, 50, 50 B,  
123/50 R, 65 R, 70 R; 73/116; 340/442  
See application file for complete search history.

FIG. 1 is a front, plan and right side perspective view of the internal combustion engine showing our new design, the dashed lines forming no part of such design;  
FIG. 2 is a rear, plan and left side perspective view, the dashed lines forming no part of such design,  
FIG. 3 is a front view thereof, the dashed lines forming no part of such design;  
FIG. 4 is an rear view thereof, the dashed lines forming no part of such design;  
FIG. 5 is a plan view thereof, the dashed lines forming no part of such design;  
FIG. 6 is a bottom rear view thereof, the dashed lines forming no part of such design;  
FIG. 7 is a left side view thereof, the dashed lines forming no part of such design; and,  
FIG. 8 is a right side view thereof, the dashed lines forming no part of such design.

(56) **References Cited**

U.S. PATENT DOCUMENTS

D46,875 S \* 1/1915 Neeley et al. .... D26/84  
D293,114 S \* 12/1987 Brogdon ..... D15/1  
D294,832 S \* 3/1988 Itou et al. .... D15/1  
D307,147 S \* 4/1990 Sasaki et al. .... D15/1  
D307,148 S \* 4/1990 Mikado ..... D15/1  
D353,381 S \* 12/1994 Yoshida et al. .... D15/1  
D367,070 S \* 2/1996 Maeda et al. .... D15/1  
D396,045 S \* 7/1998 Neeley ..... D15/1  
D396,476 S \* 7/1998 Shimizu ..... D15/1  
D397,342 S \* 8/1998 Shimizu ..... D15/5  
D416,265 S 11/1999 Kato  
D474,783 S \* 5/2003 Momoi ..... D15/1

**1 Claim, 4 Drawing Sheets**

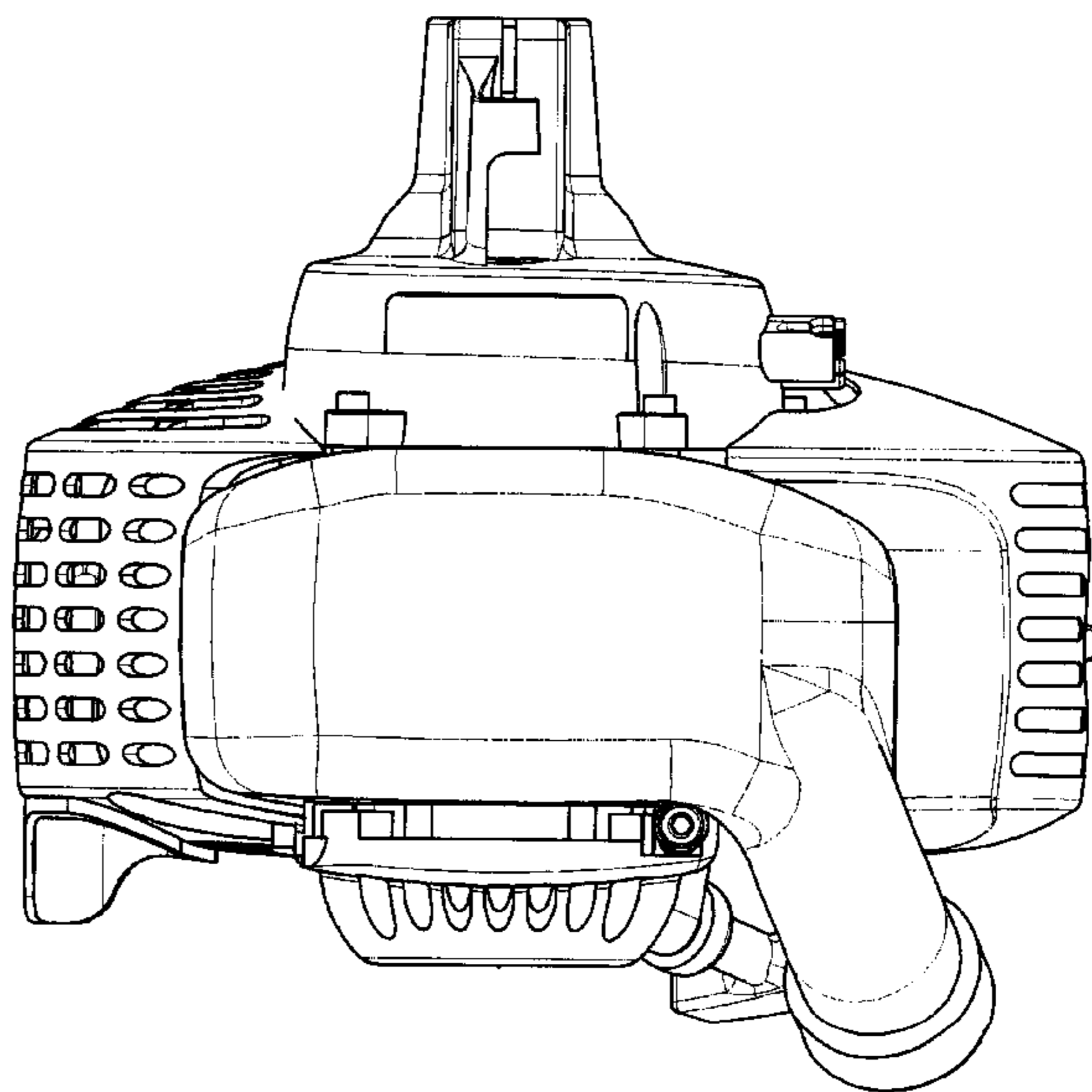
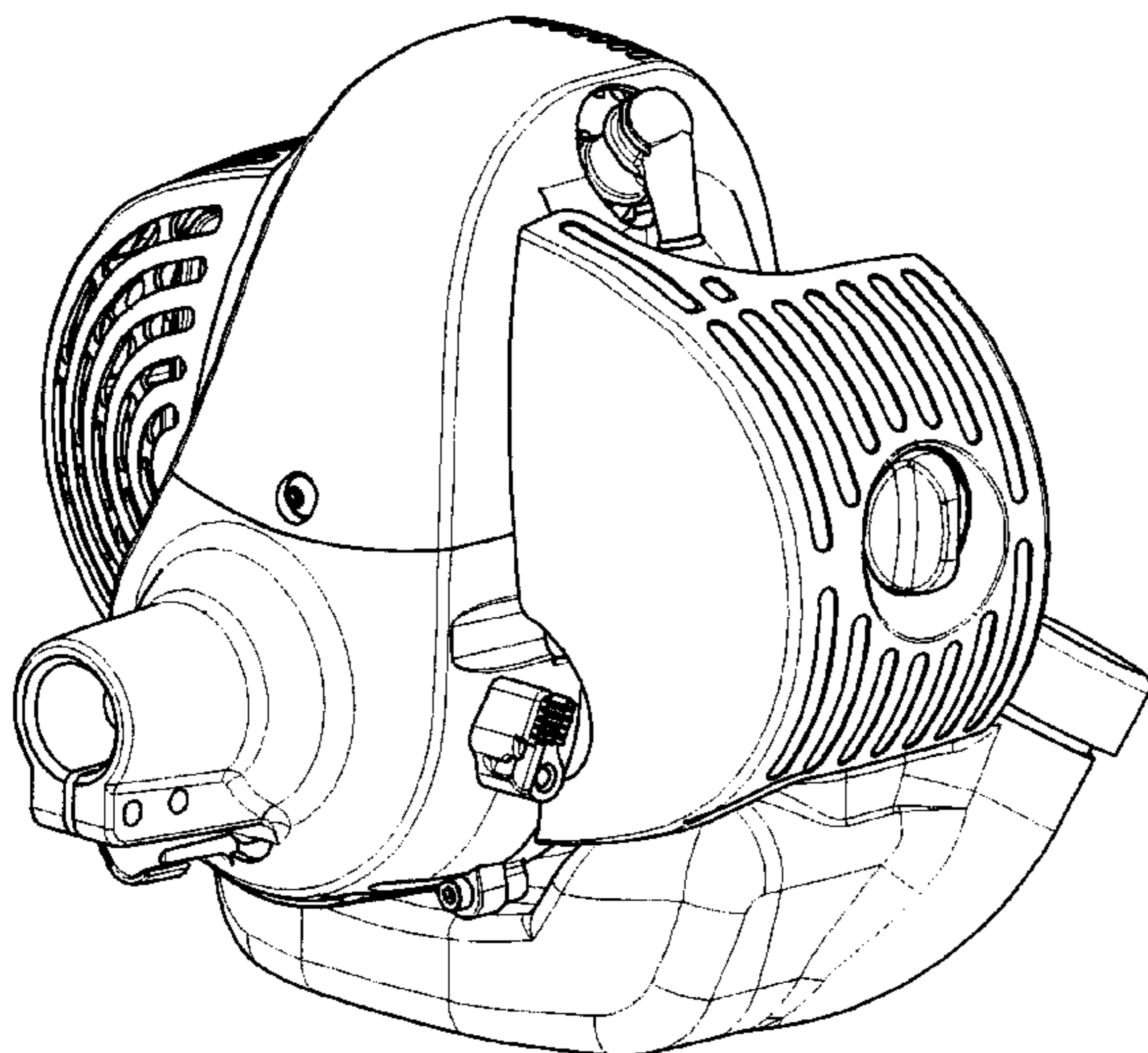


FIG. 1

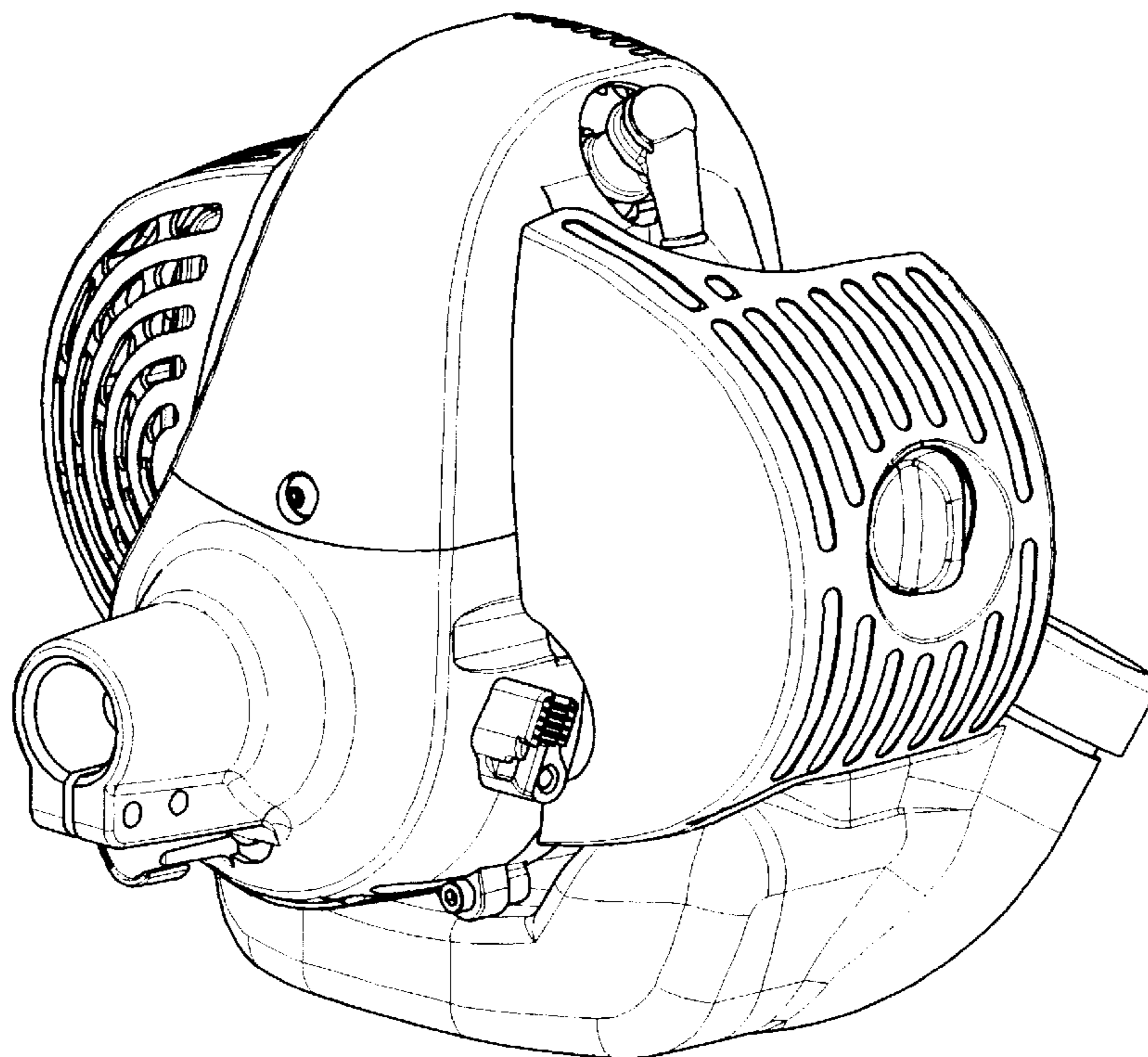


FIG. 2

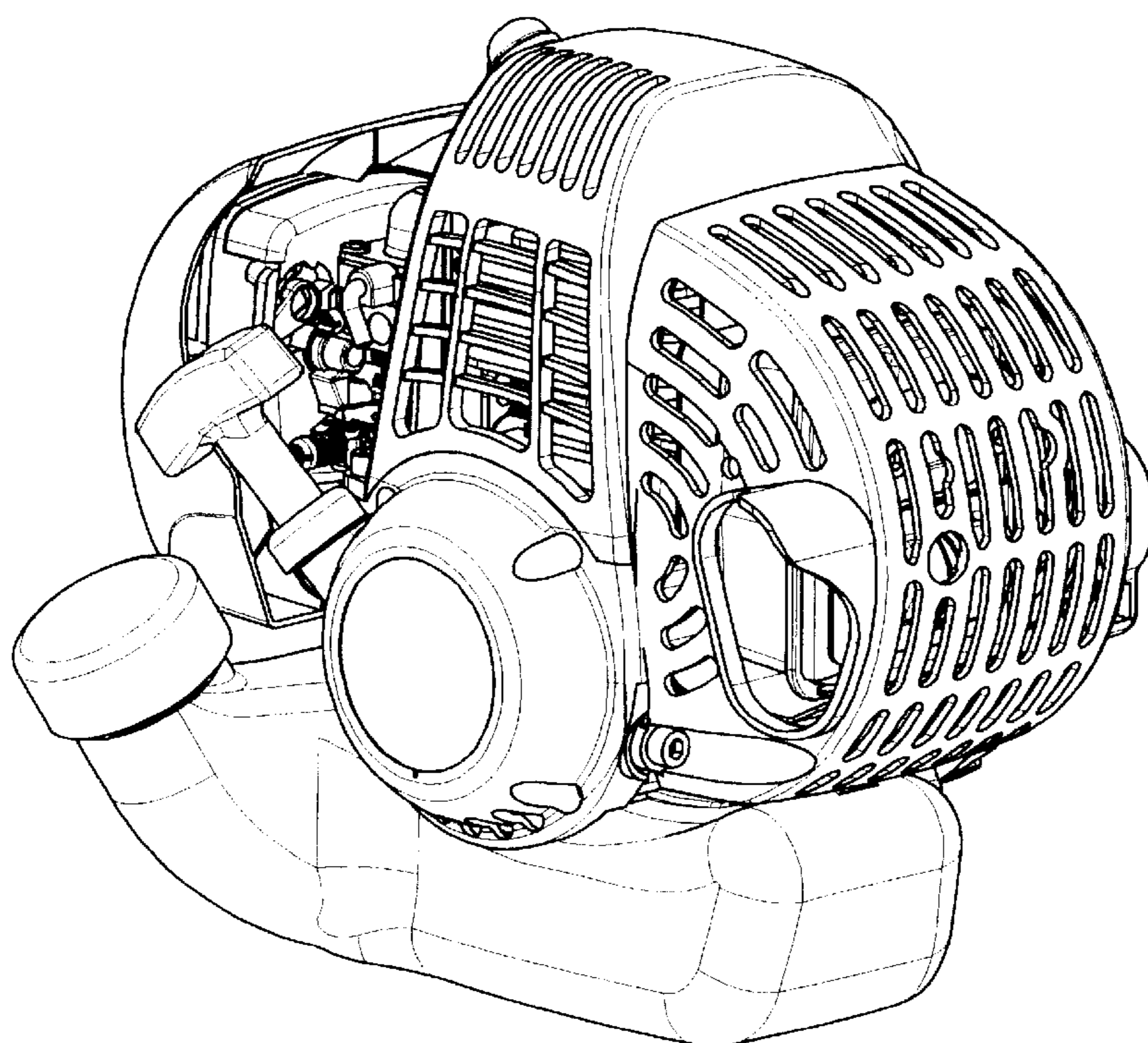


FIG. 3

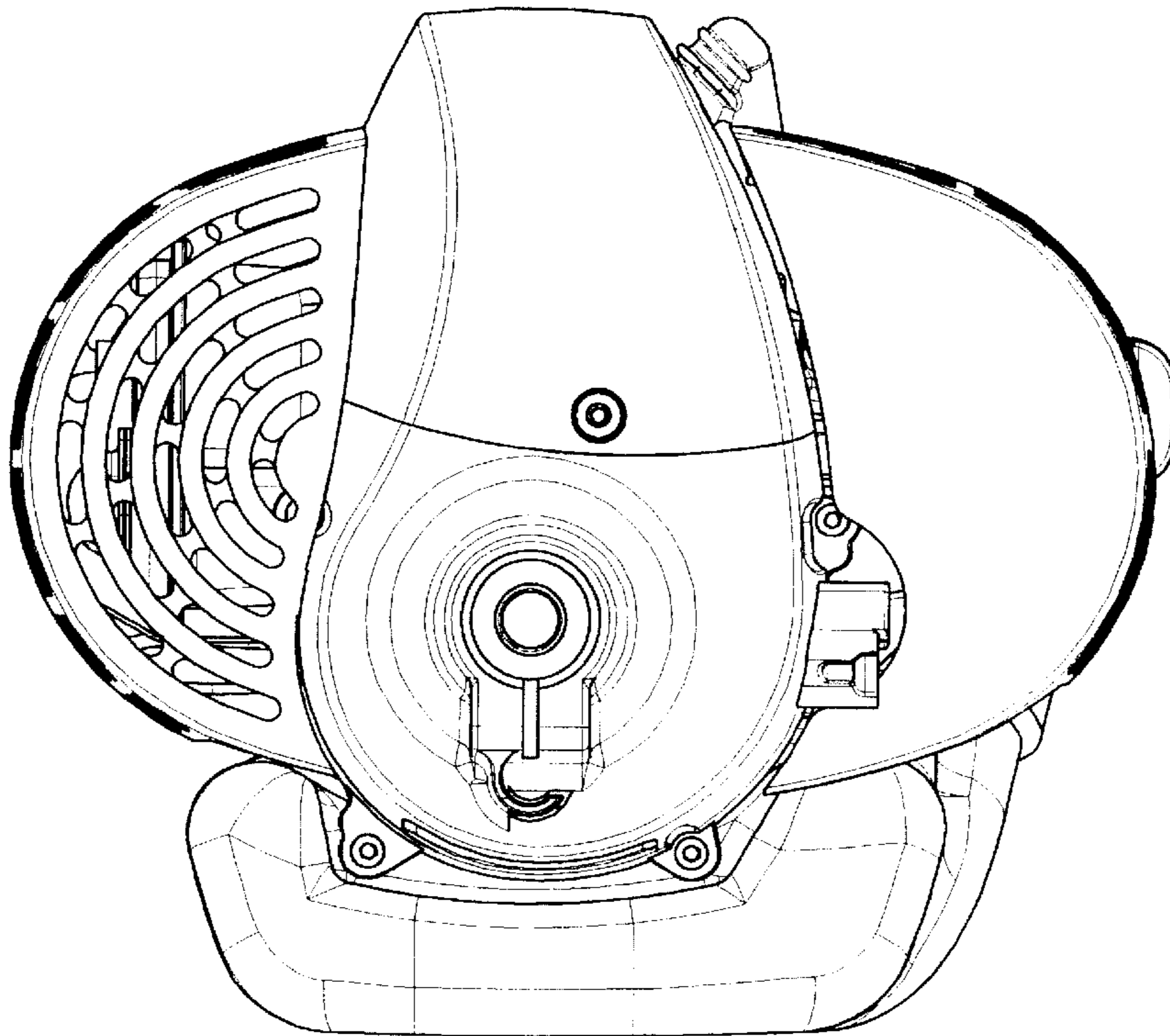


FIG. 4

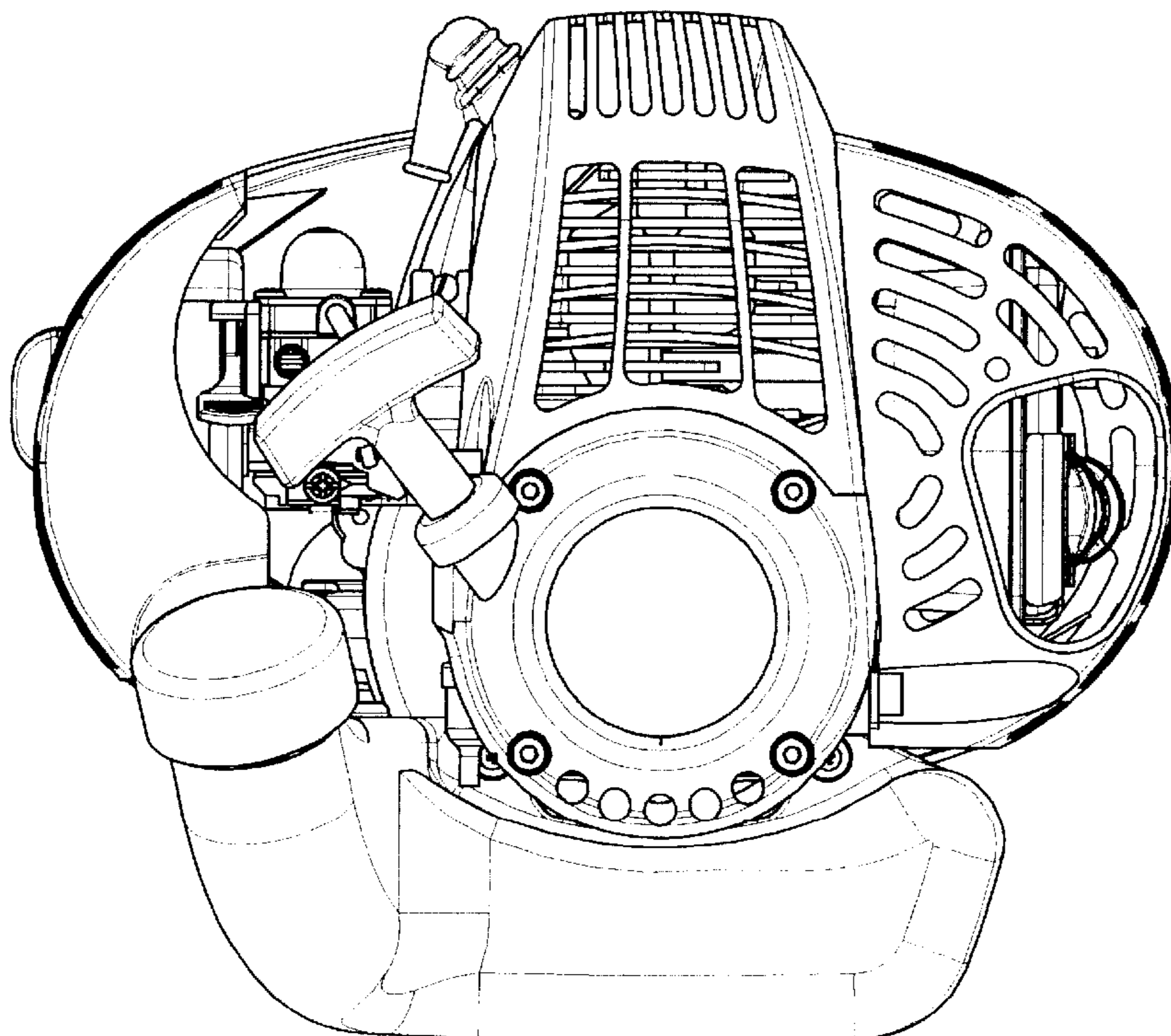


FIG. 5

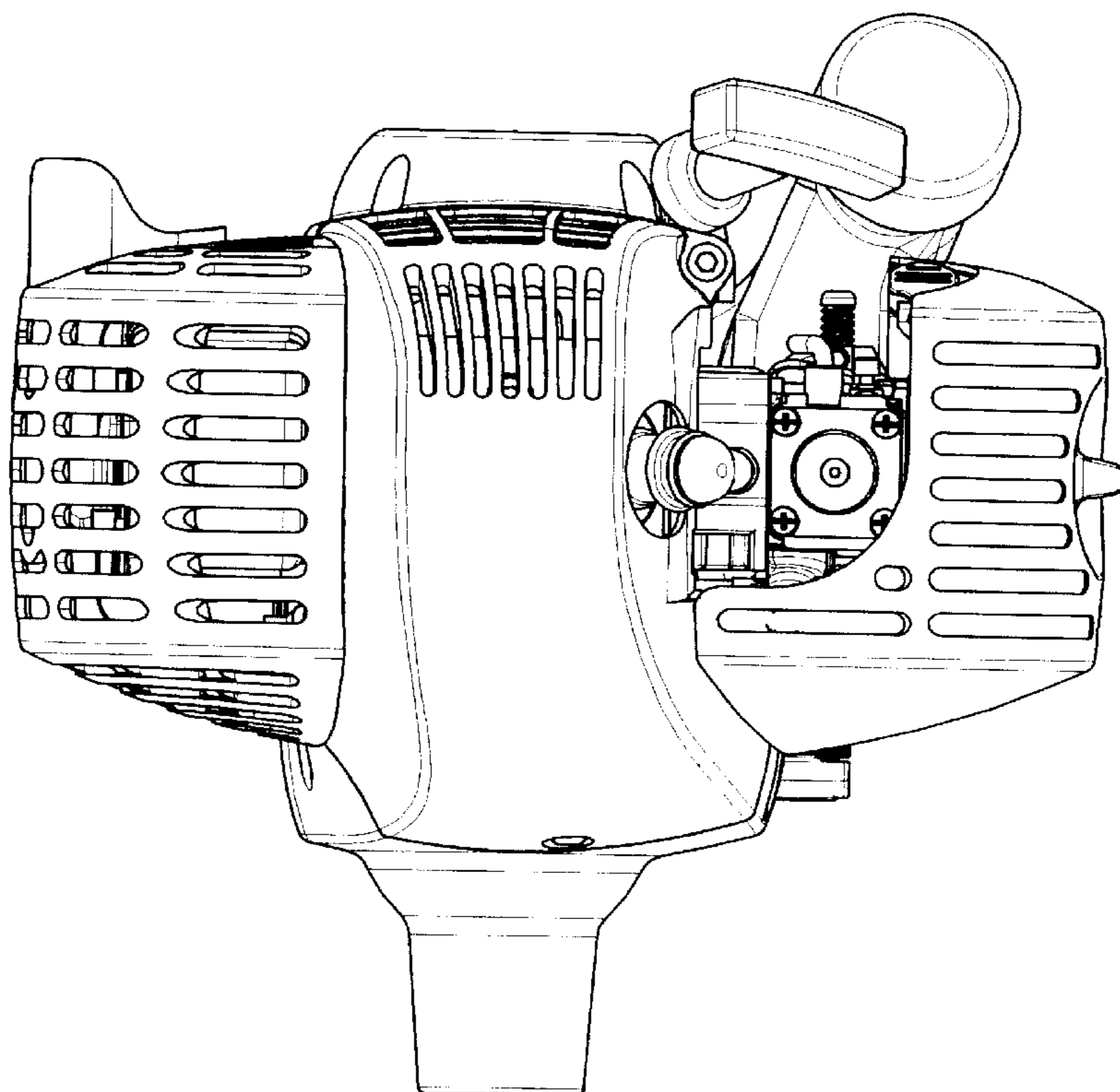


FIG. 6

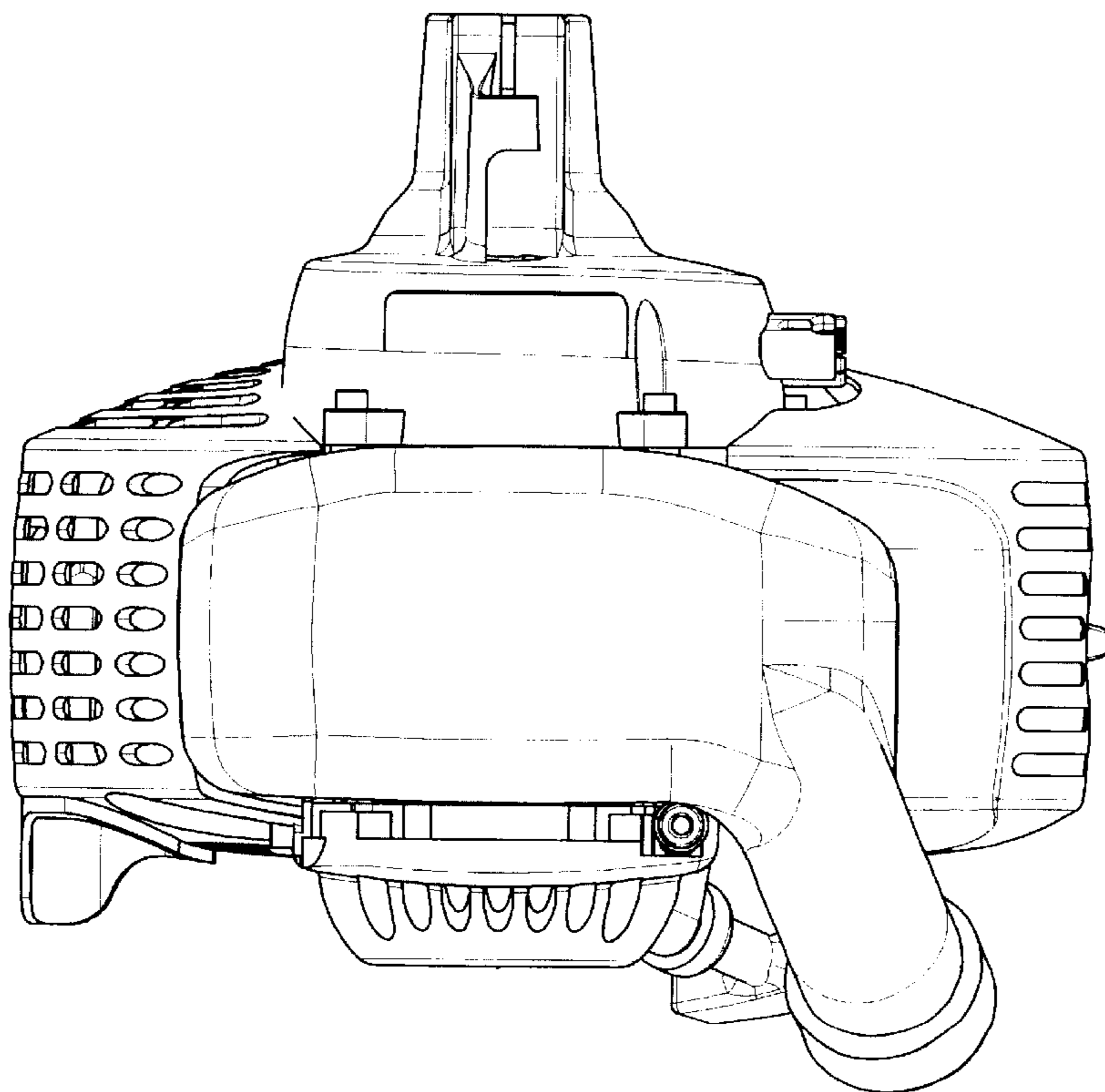


FIG. 7

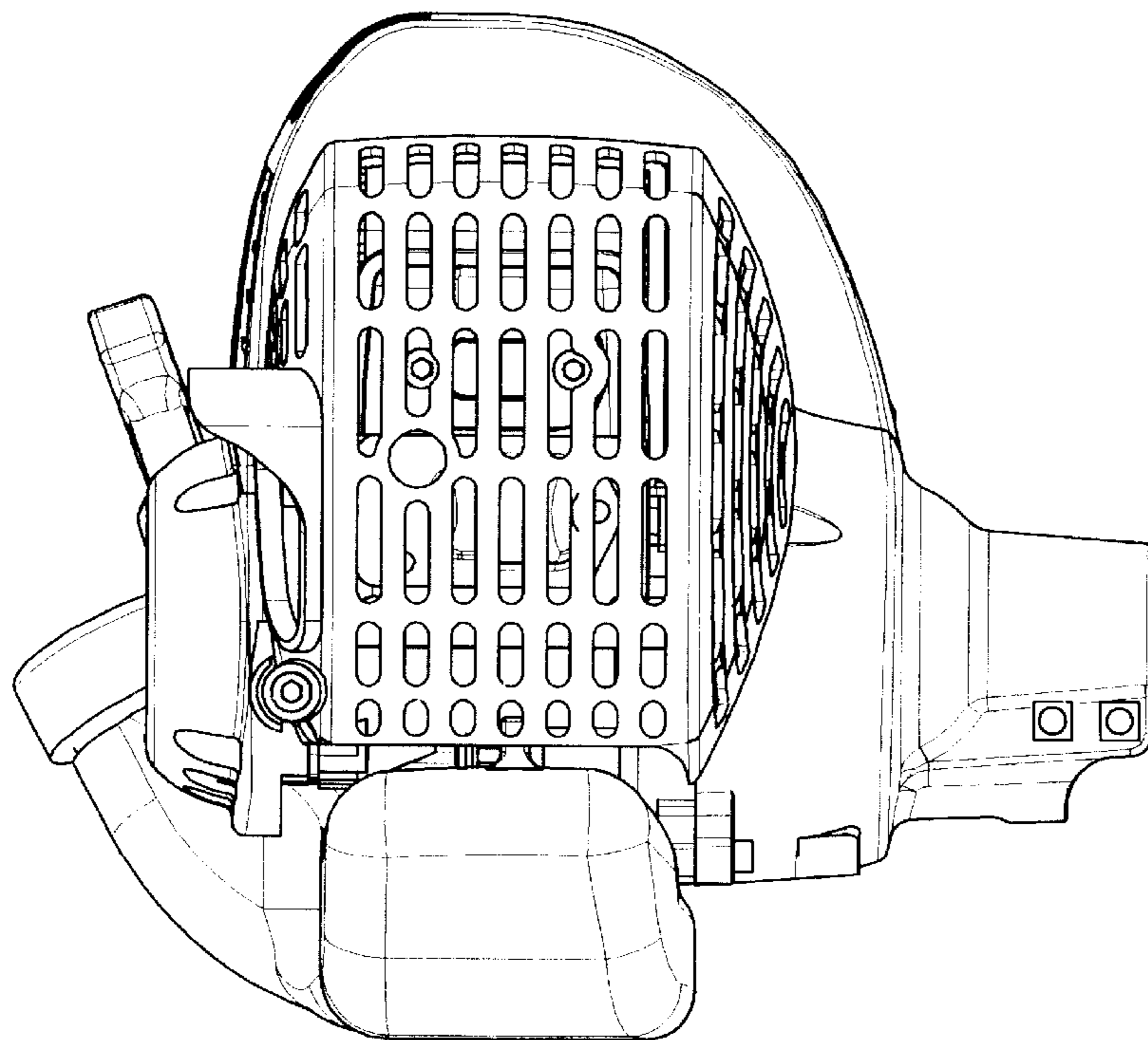


FIG. 8

