

US00D521527S

(12) **United States Design Patent** (10) **Patent No.:** **US D521,527 S**
Lee (45) **Date of Patent:** **** May 23, 2006**

(54) **PORTABLE MULTIMEDIA PLAYER**

(75) Inventor: **Myoung-Yong Lee**, Seongnam-Si (KR)

(73) Assignee: **Cowon Systems, Inc.** (KR)

(**) Term: **14 Years**

(21) Appl. No.: **29/227,252**

(22) Filed: **Apr. 8, 2005**

(30) **Foreign Application Priority Data**

Dec. 10, 2004 (KR) 30-2004-0037956

(51) **LOC (8) Cl.** **14-03**

(52) **U.S. Cl.** **D14/496**

(58) **Field of Classification Search** D14/496,
D14/435, 474, 483, 217, 188, 204, 156, 157,
D14/160, 167, 168; 369/1, 2, 75.11, 86, 99,
369/12; 370/342-344; 455/344-351; 273/148 B;
463/1, 43-47

See application file for complete search history.

(56) **References Cited**

U.S. PATENT DOCUMENTS

5,349,575 A * 9/1994 Park 369/1
5,859,594 A * 1/1999 King et al. 340/7.55
6,041,023 A * 3/2000 Lakhansingh 369/7
6,122,526 A * 9/2000 Parulski et al. 455/556.1

D452,226 S * 12/2001 Simpson et al. D14/167
6,606,281 B1 * 8/2003 Cowgill et al. 369/11
D496,668 S * 9/2004 Huang D14/496
6,791,907 B1 * 9/2004 Berhan 369/7
D497,618 S * 10/2004 Andre et al. D14/496
D499,424 S * 12/2004 Bahroocha D14/496
D504,409 S * 4/2005 Kim D14/156
D504,442 S * 4/2005 Kim D14/496
D507,003 S * 7/2005 Pai et al. D14/496

* cited by examiner

Primary Examiner—Prabhakar Deshmukh

(74) *Attorney, Agent, or Firm*—Cantor Colburn LLP

(57) **CLAIM**

I claim, the ornamental design for a portable multimedia player, as shown and described.

DESCRIPTION

FIG. 1 is a top and front perspective view of a portable multimedia player, showing my new design;
FIG. 2 is a front elevational view thereof;
FIG. 3 is a rear elevational view thereof;
FIG. 4 is a left side elevational view thereof;
FIG. 5 is a right side elevational view thereof;
FIG. 6 is a top plan view thereof; and,
FIG. 7 is a bottom plan view thereof.

1 Claim, 4 Drawing Sheets

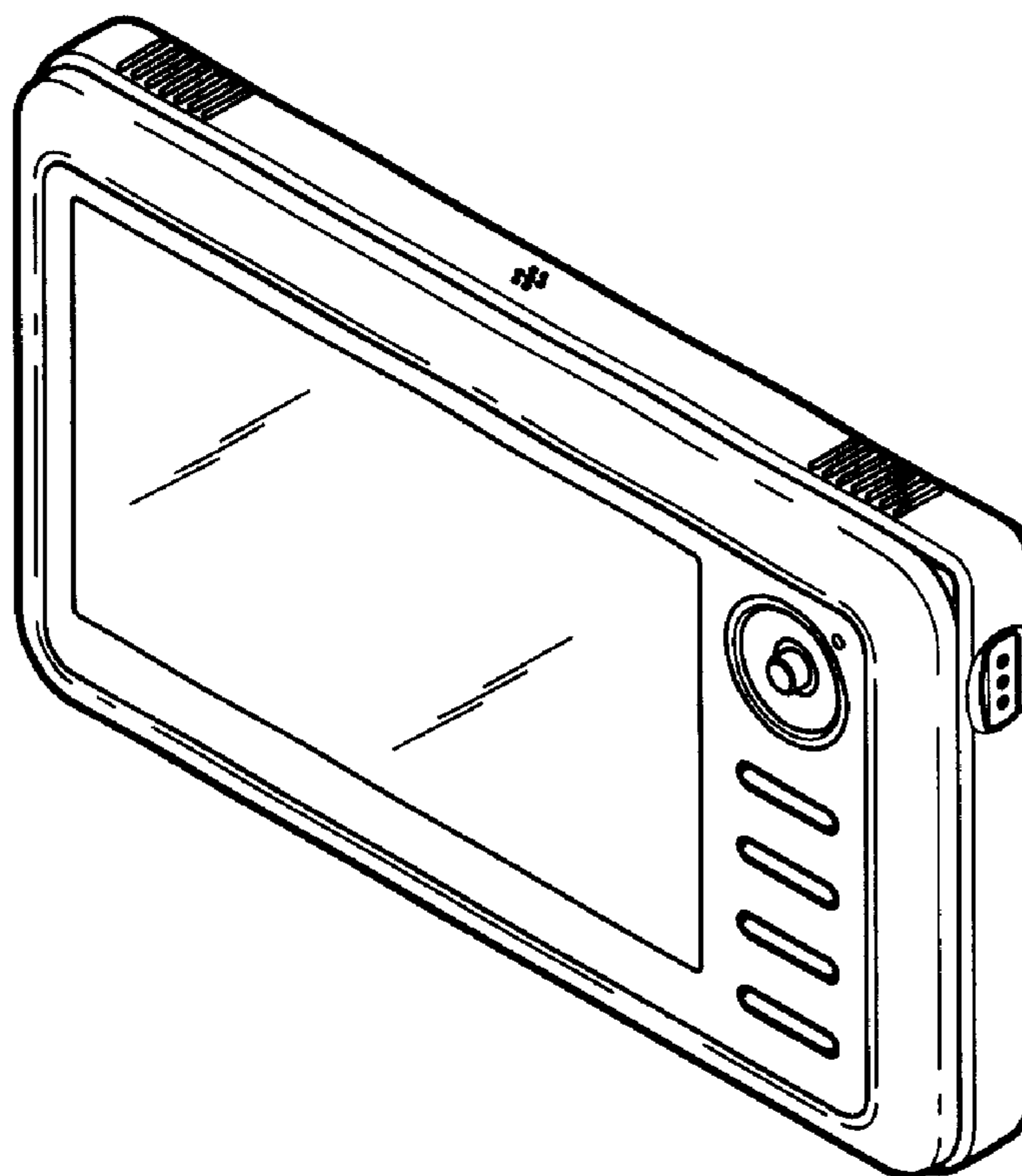


Fig. 1

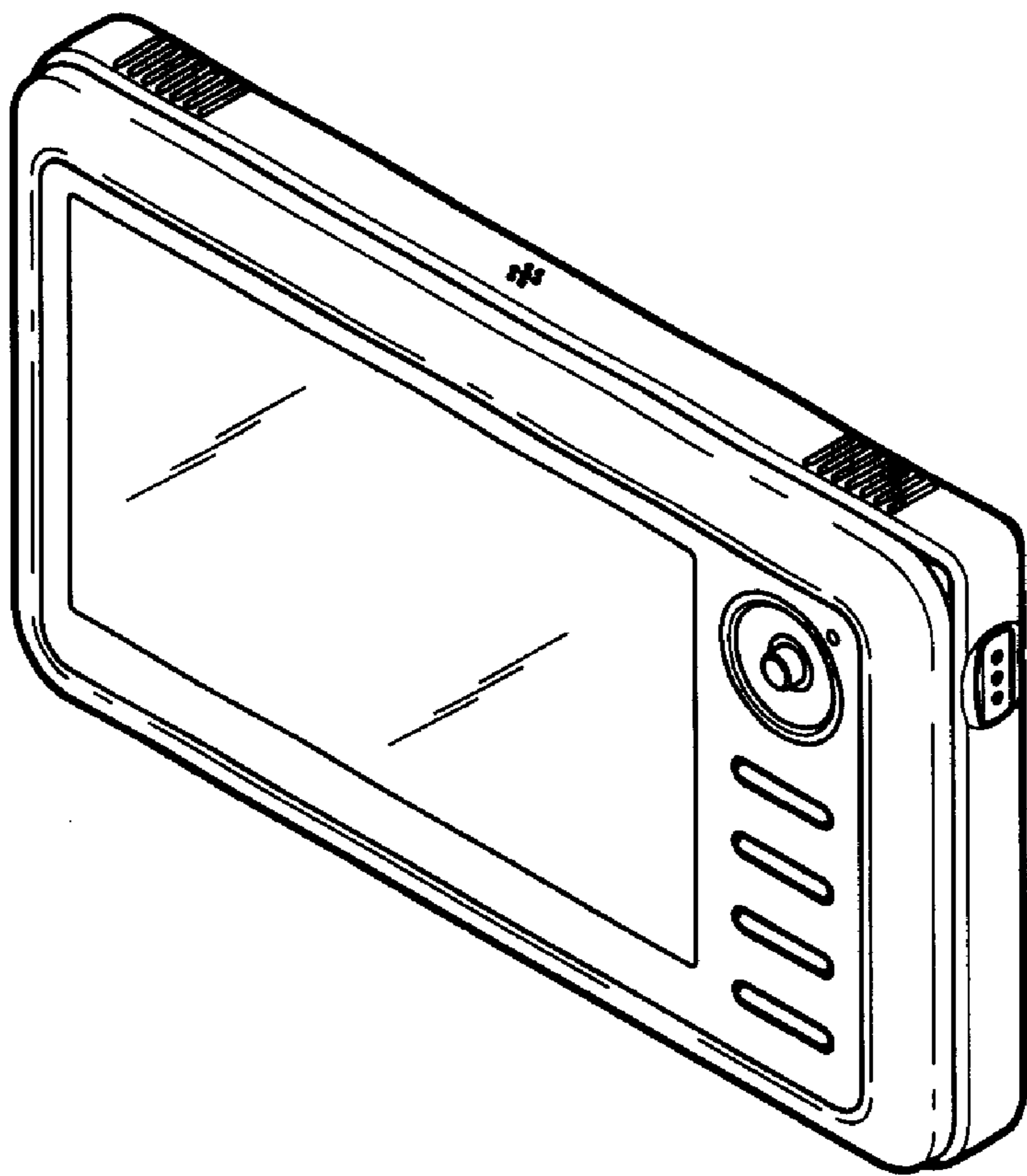


Fig.2

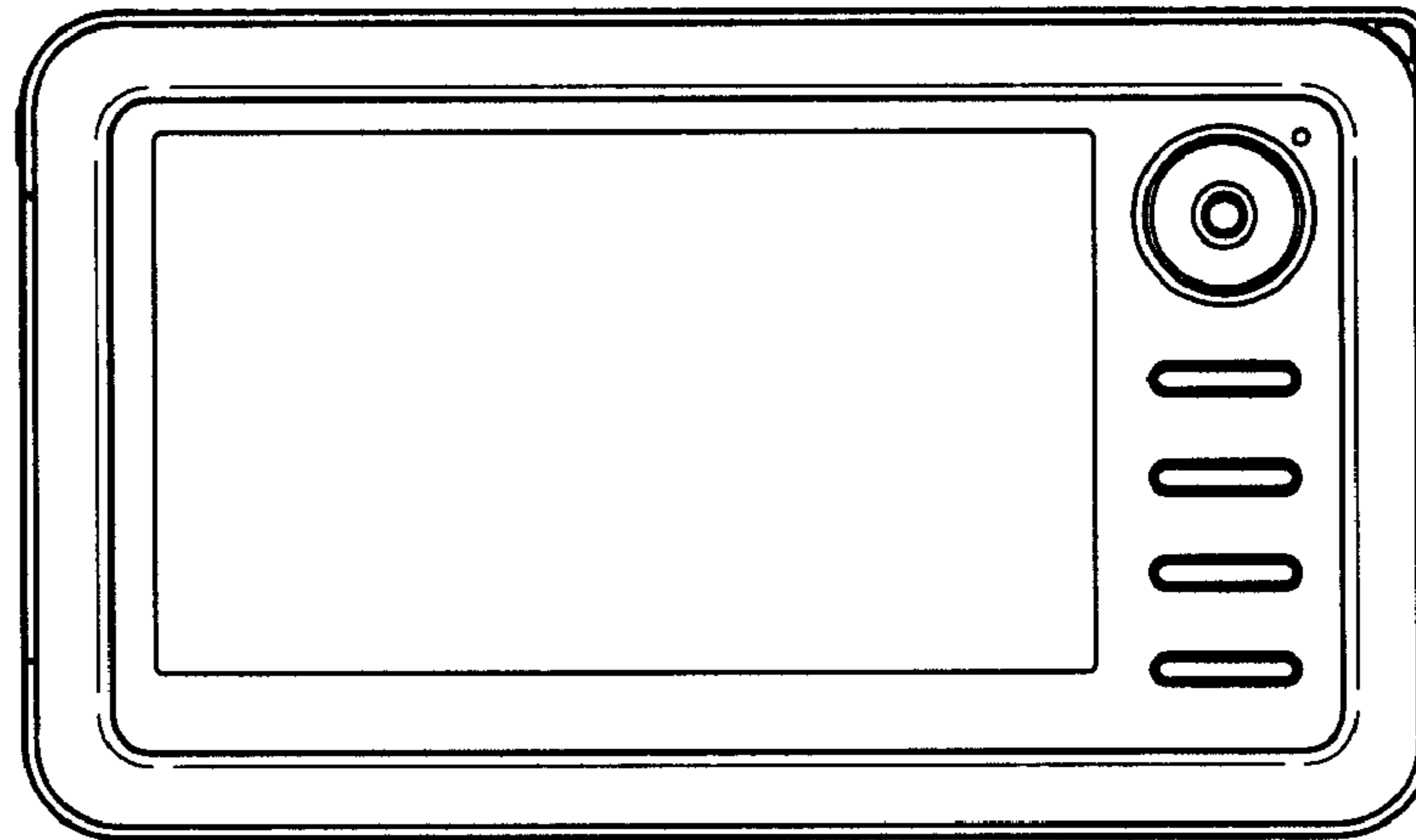


Fig.3

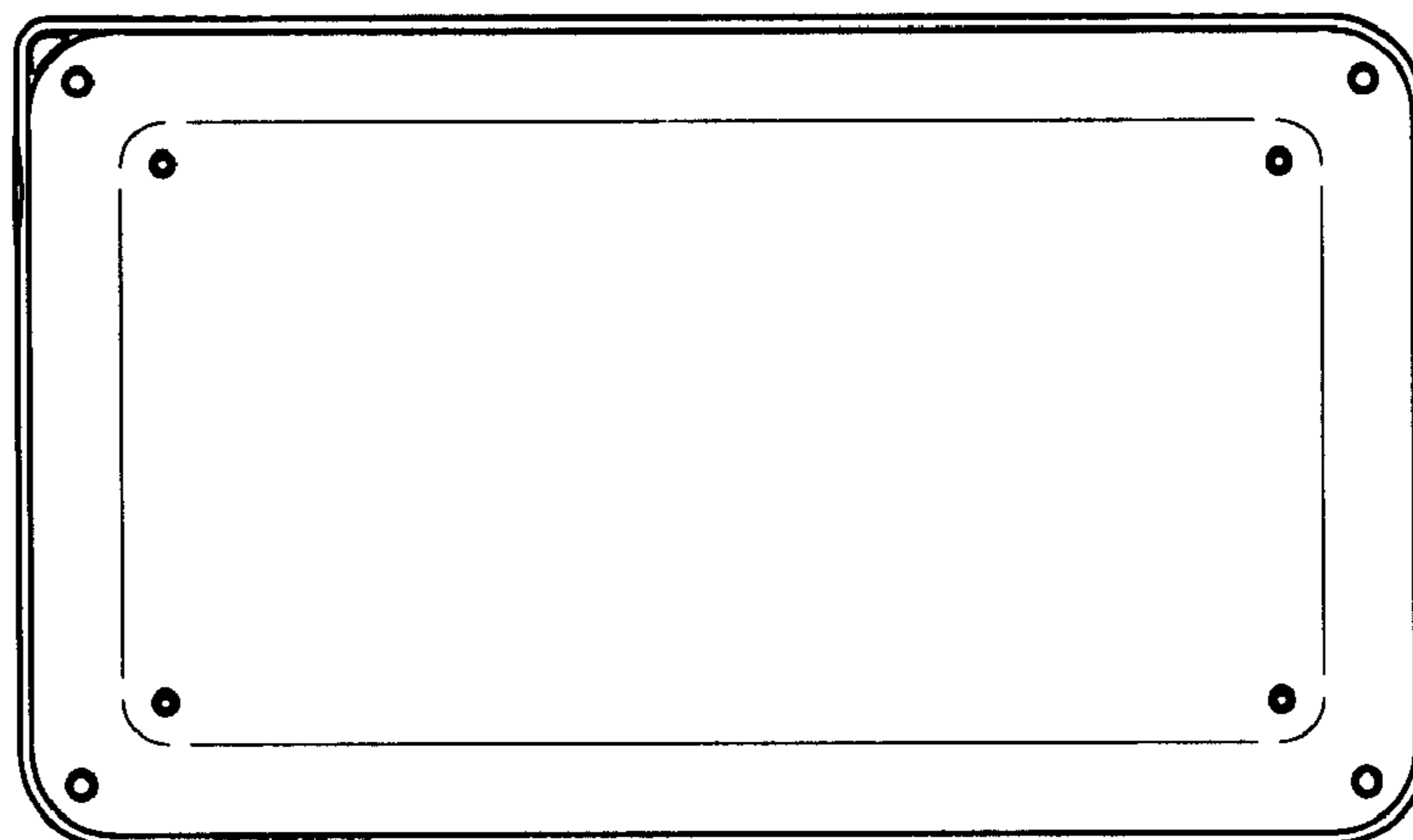


Fig.4

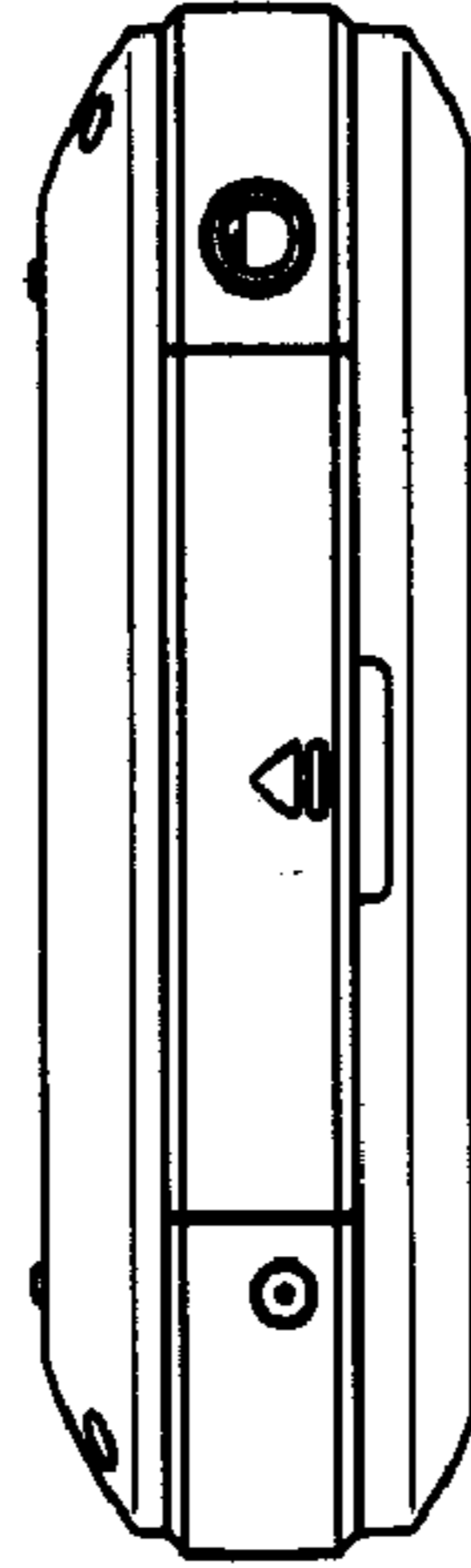


Fig.5

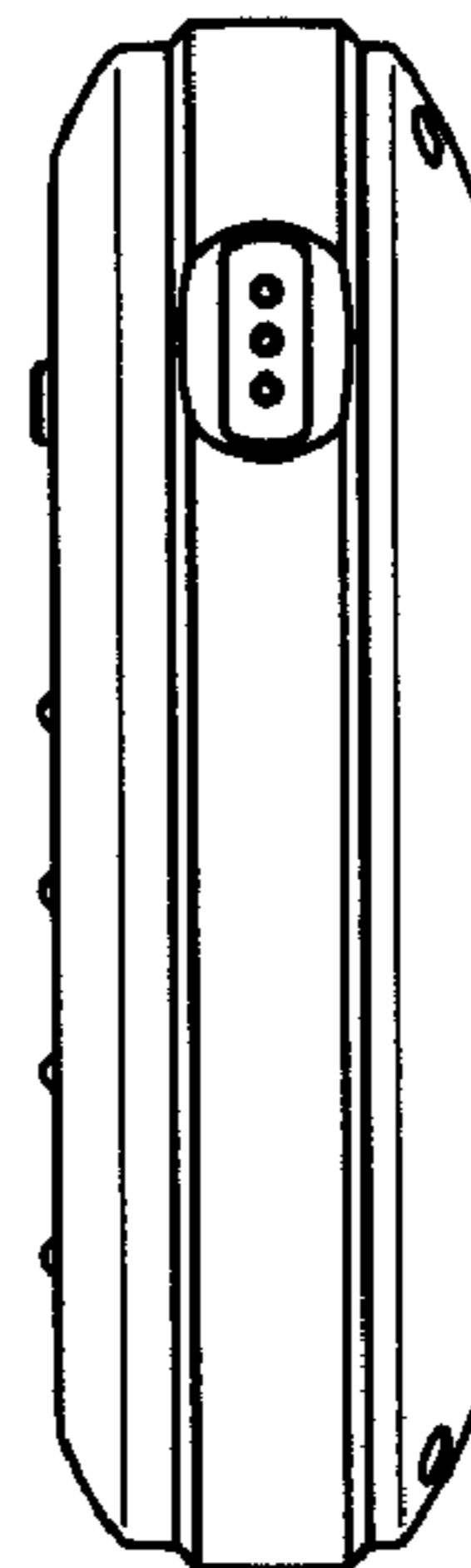


Fig.6

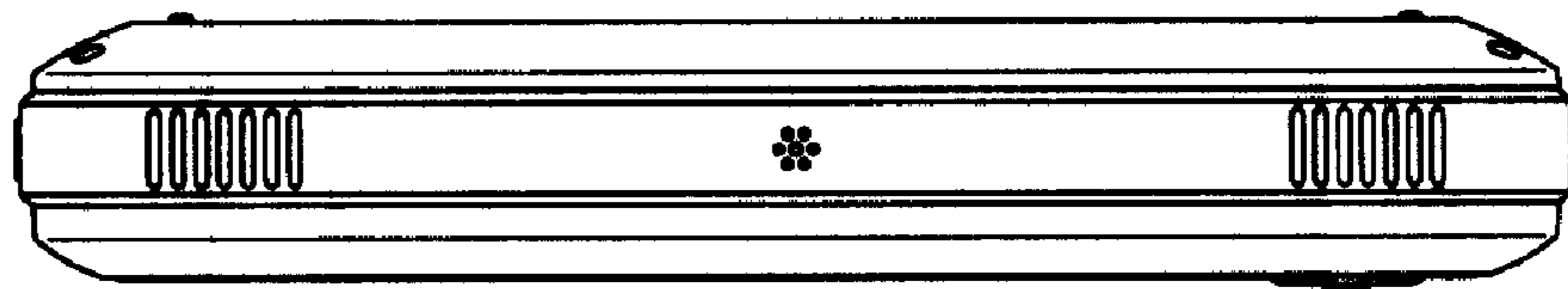


Fig.7

