



US00D521526S

(12) **United States Design Patent**  
**Suckle et al.**

(10) **Patent No.:** **US D521,526 S**

(45) **Date of Patent:** **\*\* May 23, 2006**

(54) **VIDEO ENHANCER**

(75) Inventors: **Mitchell Suckle**, Long Beach, CA  
(US); **William Tan**, Los Angeles, CA  
(US); **David Goetz**, Los Angeles, CA  
(US)

(73) Assignee: **Belkin Corporation**, Compton, CA  
(US)

(\*\*) Term: **14 Years**

(21) Appl. No.: **29/220,823**

(22) Filed: **Jan. 4, 2005**

(51) **LOC (8) Cl.** ..... **14-03**

(52) **U.S. Cl.** ..... **D14/496**

(58) **Field of Classification Search** ..... D14/496,  
D14/125, 126, 160, 168, 217, 239, 299; 455/344-347,  
455/3.06; 348/14.01, 739, 14.04; 345/902,  
345/903; 369/1-5, 83; 273/148 B; 463/1,  
463/43-47; D13/101, 123, 133, 184  
See application file for complete search history.

(56) **References Cited**

**U.S. PATENT DOCUMENTS**

4,976,435 A \* 12/1990 Shatford et al. .... 463/36  
5,259,626 A \* 11/1993 Ho ..... 463/37  
5,372,225 A \* 12/1994 Joynes et al. .... 191/12.2 R  
5,964,661 A \* 10/1999 Dodge ..... 463/24

6,151,490 A \* 11/2000 Schultheiss ..... 455/403  
D436,919 S \* 1/2001 Wakefield et al. .... D13/110  
D466,130 S \* 11/2002 Hussaini et al. .... D14/496  
D467,592 S \* 12/2002 Hussaini et al. .... D14/496  
D483,281 S \* 12/2003 Cobigo ..... D10/104  
D490,070 S \* 5/2004 Lee ..... D14/188  
D491,161 S \* 6/2004 Tang ..... D14/188  
D510,584 S \* 10/2005 Tierney ..... D14/496

\* cited by examiner

*Primary Examiner*—Prabhakar Deshmukh

(74) *Attorney, Agent, or Firm*—Bryan Cave LLP

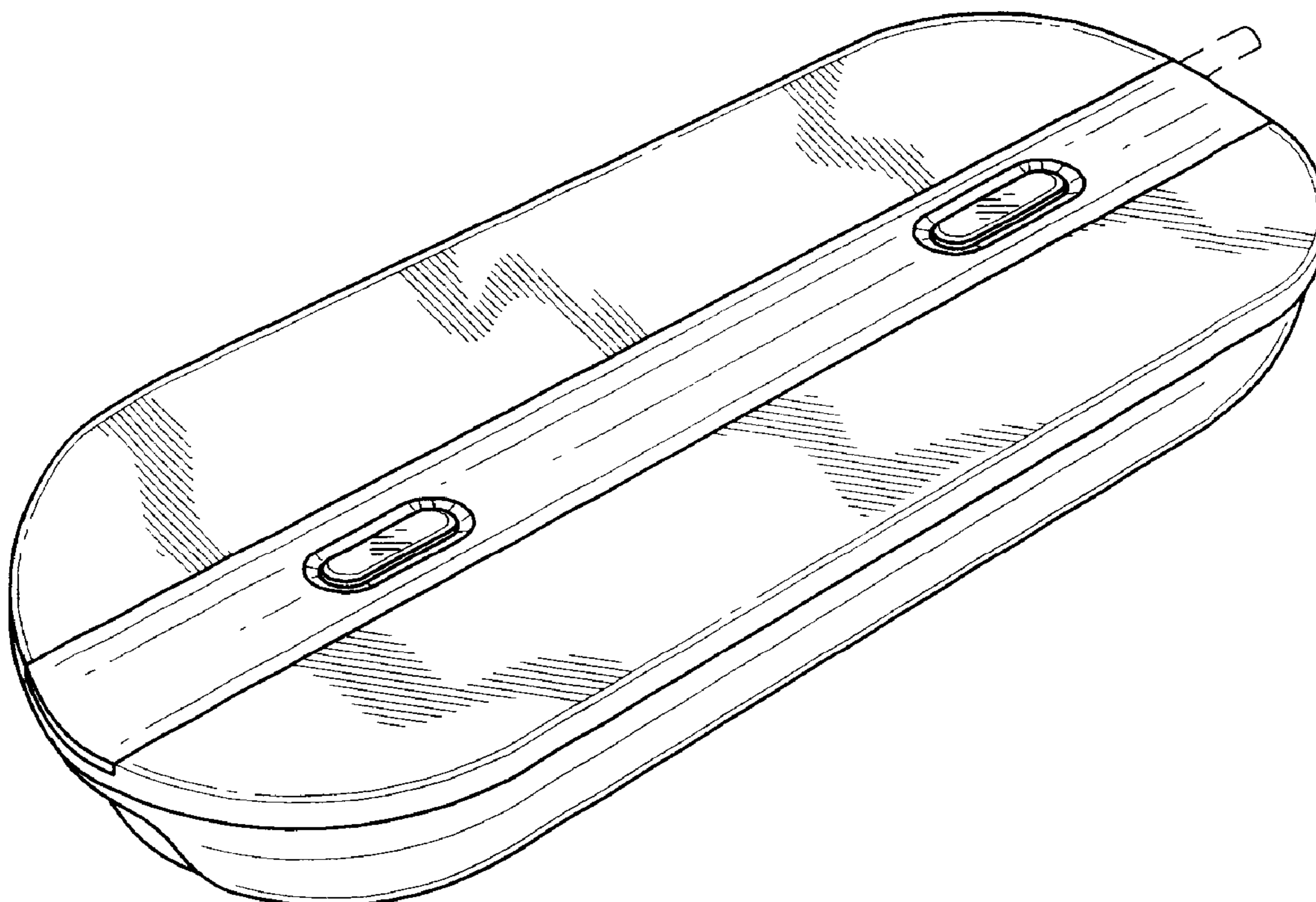
(57) **CLAIM**

We claim the ornamental design for a video enhancer, as shown and described.

**DESCRIPTION**

FIG. 1 is a top view of the video enhancer;  
FIG. 2 is a bottom view thereof;  
FIG. 3 is a front elevational view thereof;  
FIG. 4 is a rear elevational view thereof;  
FIG. 5 is a left side elevational view thereof;  
FIG. 6 is a right side elevational view thereof;  
FIG. 7 is a front, right, top perspective view thereof; and,  
FIG. 8 is a front, right, bottom perspective view thereof.  
The broken lines in the drawings are for illustrative purposes only and form no part of the claimed design.

**1 Claim, 2 Drawing Sheets**



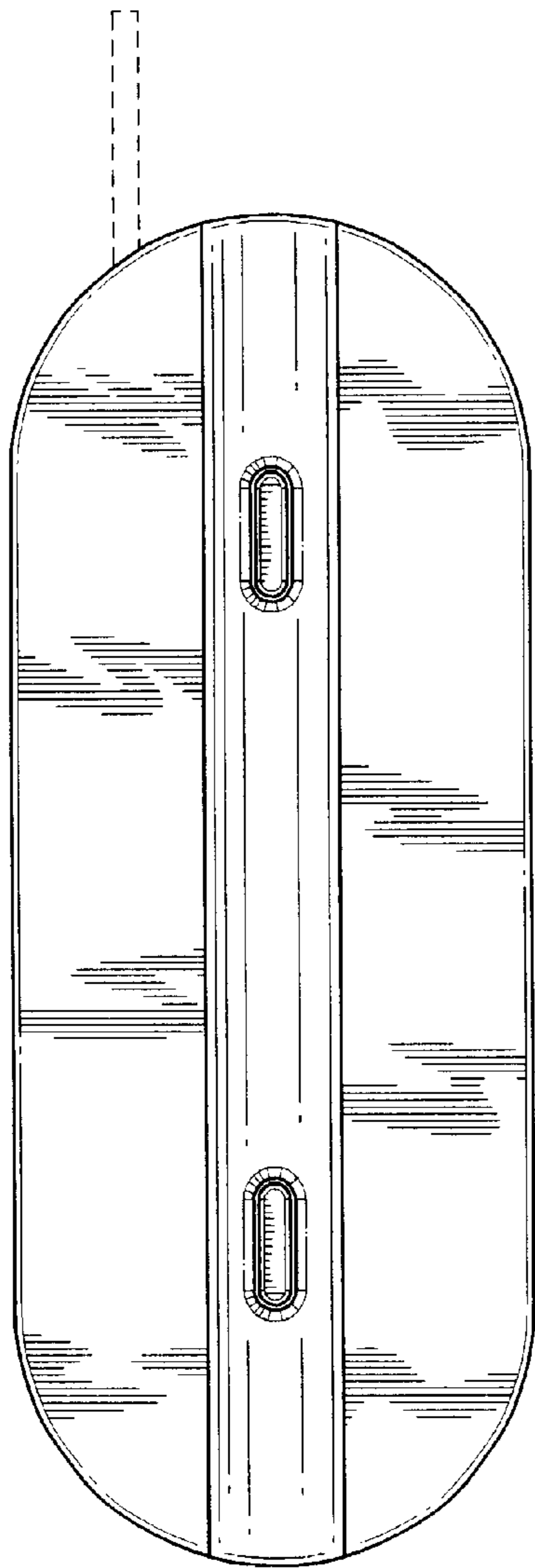


FIG. 1

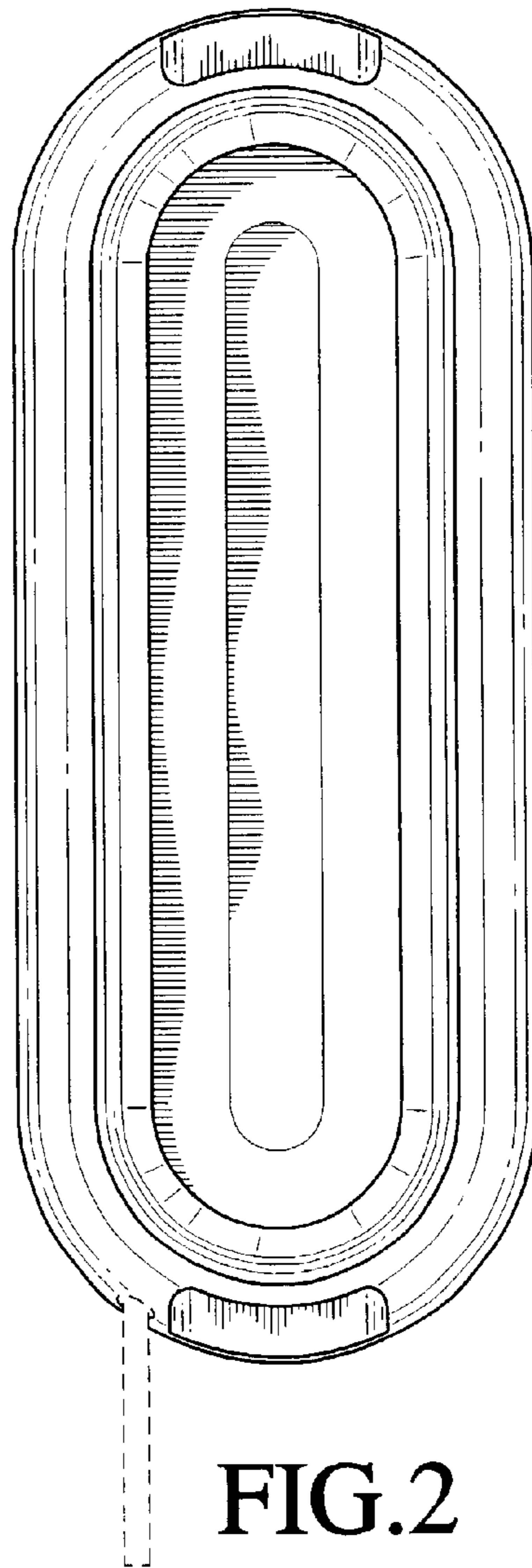


FIG. 2

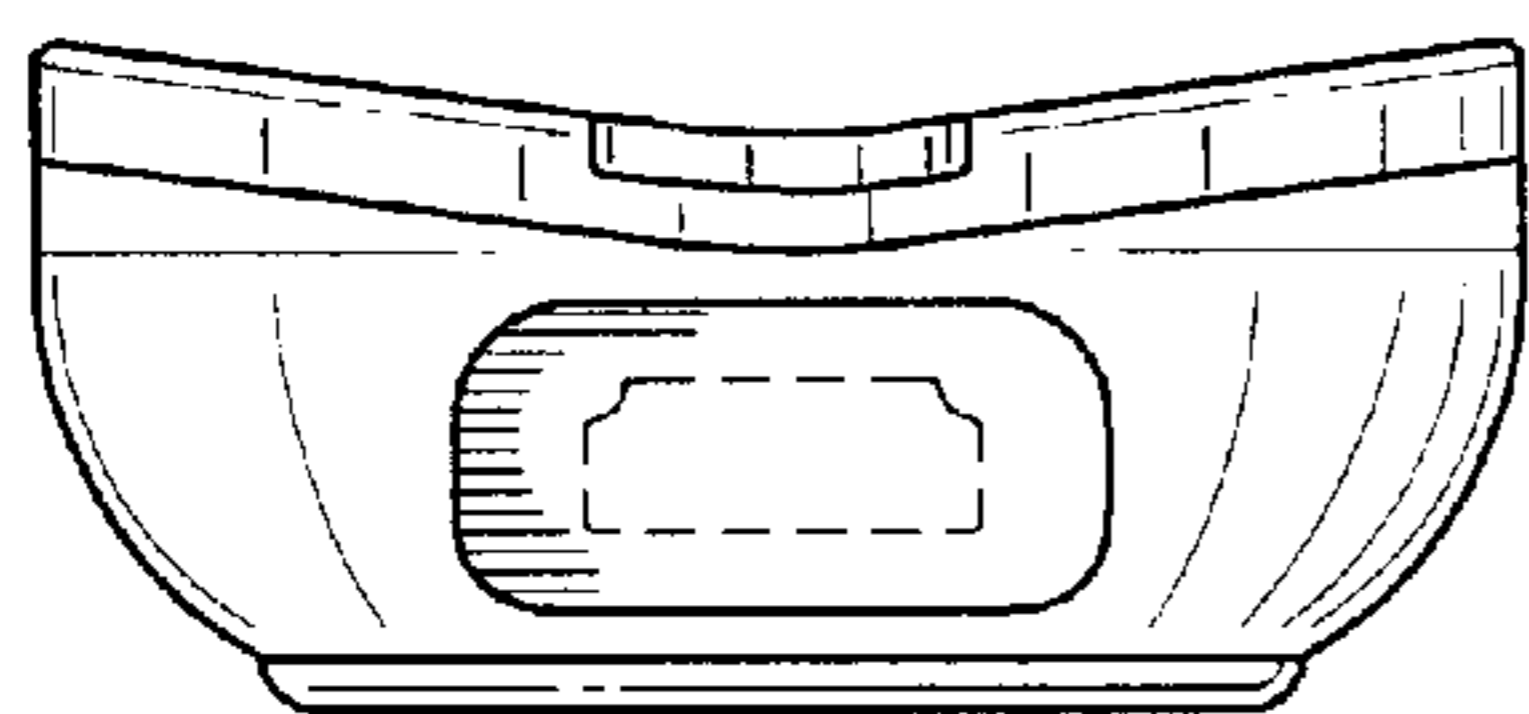


FIG. 3

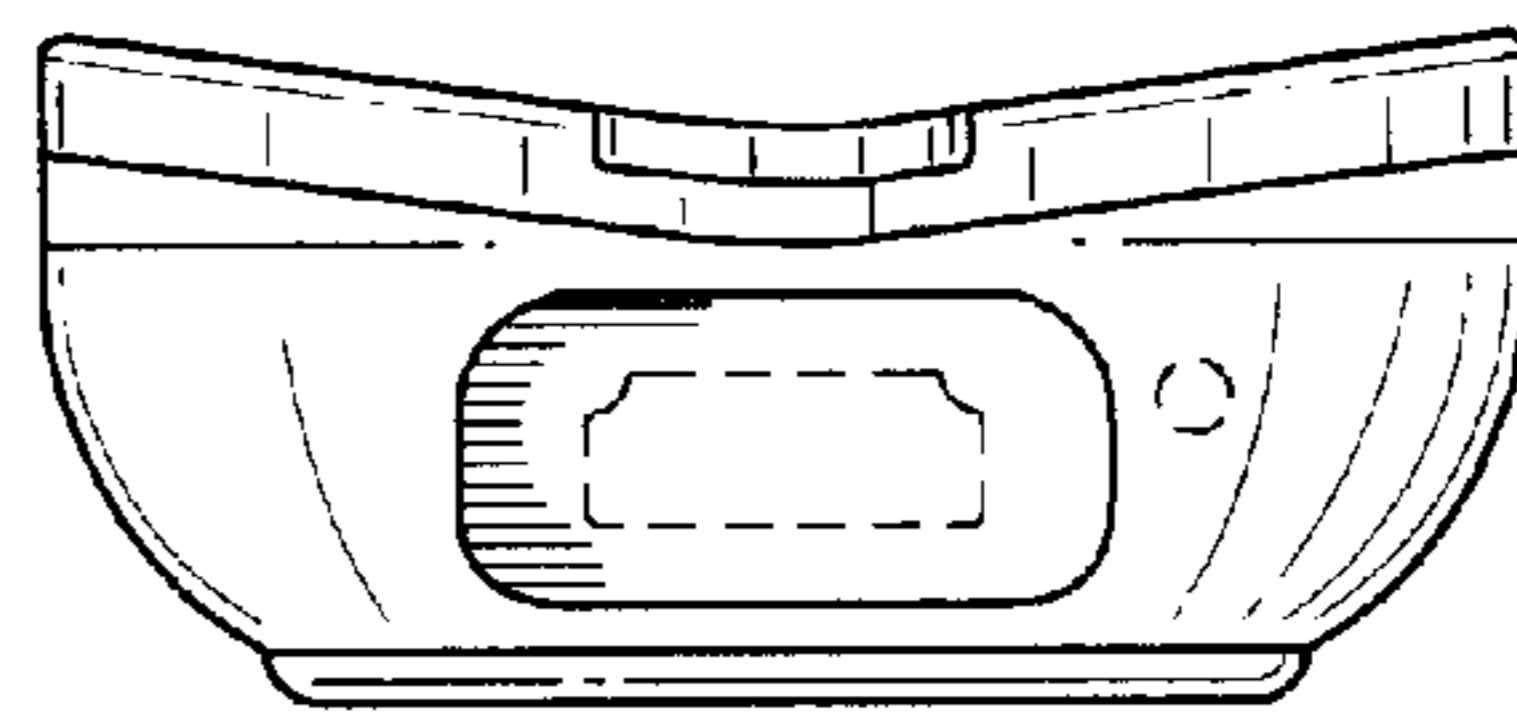


FIG. 4

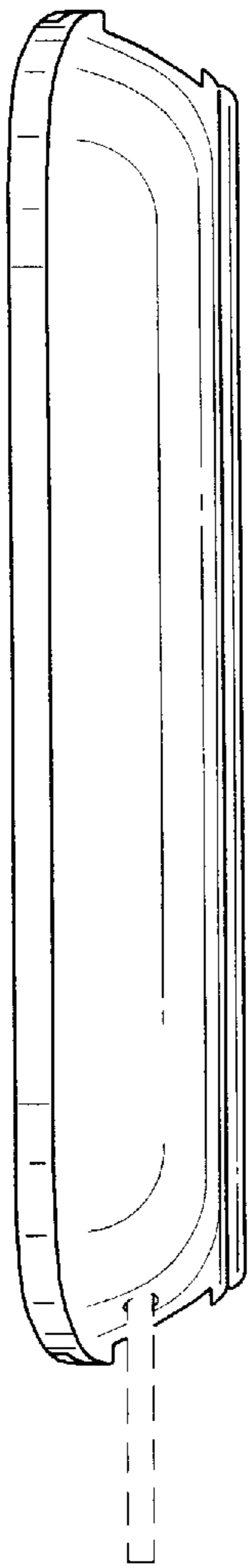


FIG. 5

FIG. 6

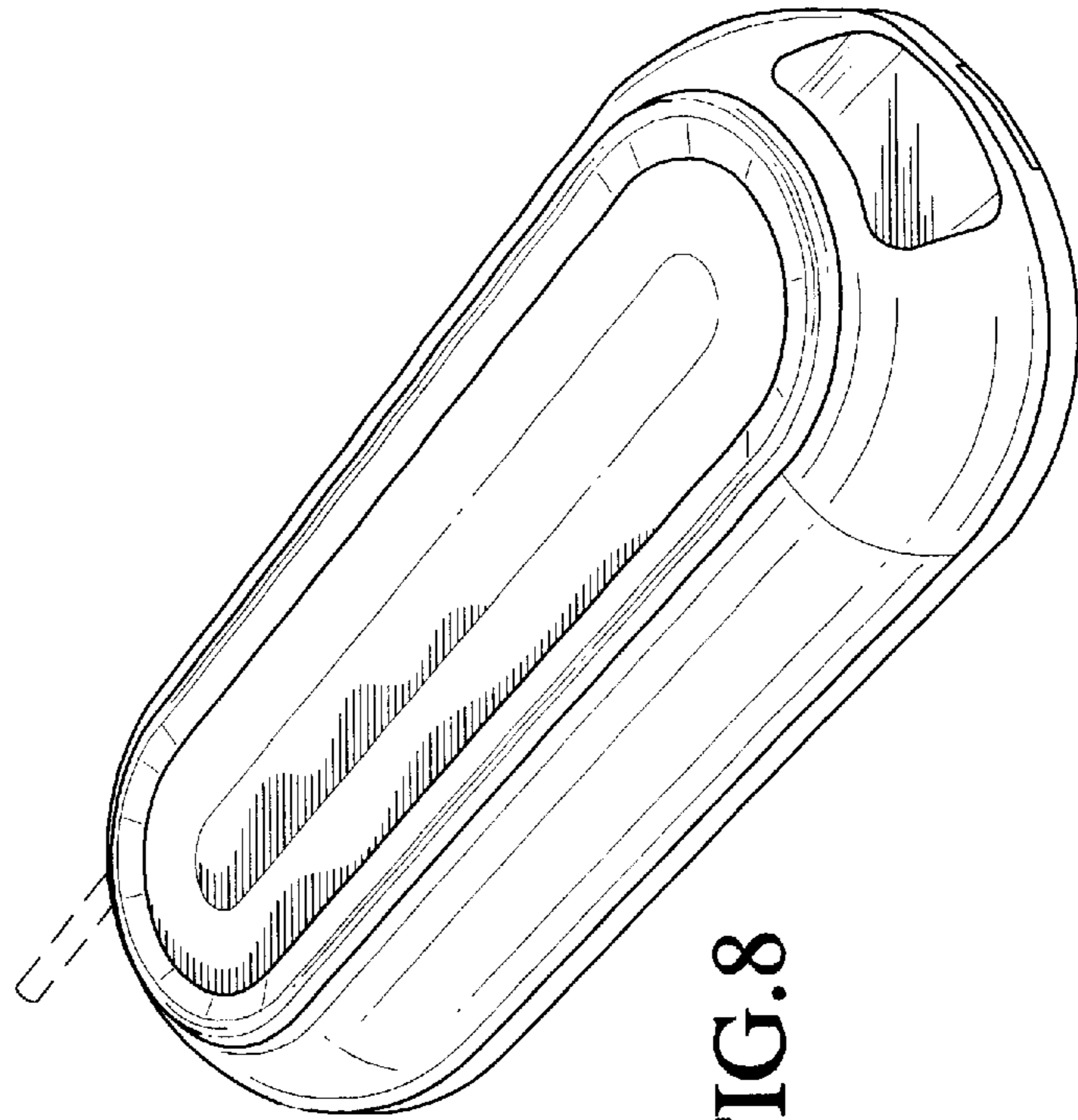
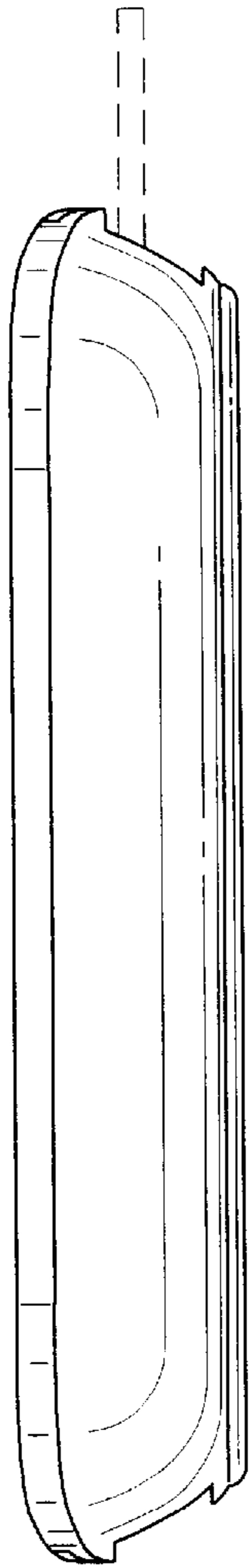


FIG. 8

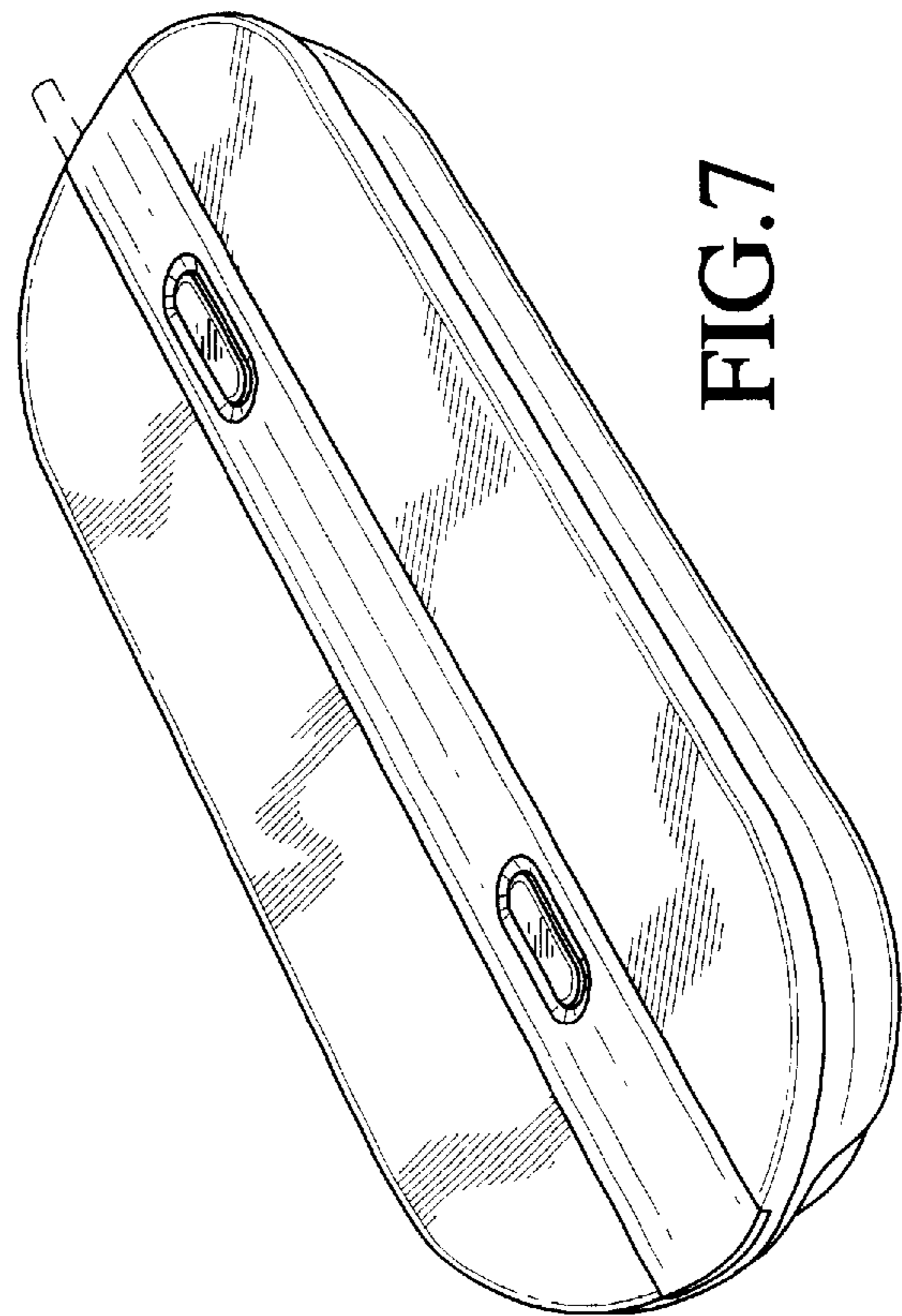


FIG. 7